


SCXX 10

CAUTIONS

 To prevent serious personal injury and/or property damage, operate all remotely controlled models in a responsible manner as outlined herein.

CHOOSE THE RIGHT PLACE TO OPERATE YOUR R/C MODEL.

- Do not run on public streets or highways. This could cause serious accidents, personal injuries, and/or property damage.
- Never run R/C models near people or animals.
- To avoid injury, do not run in confined spaces.
- Do not run where loud noises can disturb others, such as hospitals and residential areas.
- Never run indoors. There is a high risk of fire and/or damage.


INSPECT YOUR MODEL BEFORE OPERATION.

- Make sure that all screws and nuts are properly tightened. It is also a good idea to use removable thread lock wherever metal screws go into metal, especially for engine mounts and the engine pilot shaft.
- Always use fresh batteries for your transmitter and for your receiver to avoid losing control of the model.
- Always test the brakes and throttle before starting your engine to avoid losing control of the model.
- Make sure no one else is using the same radio frequency as you are using.

AFTER OPERATION OF YOUR R/C MODEL

- Turn off receiver first, then turn off transmitter, this will prevent runaways.
- Be careful when handling batteries, they will be hot after running.
- Replace any batteries that have been dented or have frayed wires, short circuits can cause fire.
- Be sure to keep your R/C model clean and free of excess dirt and grease, this will increase the life.

VORSICHT!

 Um Verletzungen an Personen und/oder Sachschäden zu vermeiden, sollten alle ferngesteuerten Modelle sorgfältig und verantwortungsbewusst bedient werden, wie nachfolgend beschrieben.

Wählen Sie den richtigen Platz zum Fahren

- Fahren Sie niemals auf öffentlichen Straßen. Dies könnte Verkehrsunfälle, Personenschäden oder Sachschäden verursachen.
- Fahren Sie niemals in der Nähe von anderen Personen oder Tieren.
- Fahren Sie niemals auf belebten Straßen.
- Fahren Sie nie in der Nähe von Wohnhäusern oder Krankenhäusern. Der Lärm könnte andere Personen stören.
- Fahren Sie niemals in Innenräumen. Dort könnte etwas beschädigt werden.

Überprüfen Sie Ihr Modell, bevor Sie es in Betrieb nehmen.

- Gehen Sie sicher, dass alle Schrauben und Muttern festgezogen sind. Verwenden Sie überall dort Schrauben-Sicherungslack, wo Metallschrauben in ein Metallgewinde greifen, besonders bei den Motorhaltern.
- Um Störungen zu vermeiden, benutzen Sie immer voll geladene Akkus in Ihrem Sender und Empfänger.
- Bevor Sie den Motor starten, sollten Sie immer die Funktion der Bremse und des Gashebels testen.
- Gehen Sie sicher, dass niemand mit der gleichen Frequenz fährt wie Sie.

Nach Betrieb des RC Modells:

- Zuerst den Empfänger abdrehen, dann den Sender abdrehen um unkontrolliertes Durchgehen zu vermeiden.
- Seien Sie vorsichtig mit gebrauchten Akkus, sie können nach dem Gebrauch heiß sein.
- Ersetzen Sie Akkus/Batterien die beschädigt sind oder schadhafte Kabel aufweisen, sie können Kurzschlüsse oder Feuer verursachen.
- Halten Sie Ihr Fahrzeug sauber und entfernen Sie Schmutz und Schmierfett, damit erhöhen Sie die Lebensdauer Ihres Modells.

PRECAUTIONS

 Afin d'éviter toutes blessures corporelles et/ou dommages environnants, veuillez procéder en toute responsabilité comme indiqué ci-dessous

Choisir le lieu adéquat pour faire rouler votre modèle.

- Ne jamais rouler dans les rues ou sur les routes ouvertes au public. Ceci peut provoquer de graves accidents.
- Ne jamais rouler près de personnes ou d'animaux.
- Pour éviter les blessures, ne pas rouler dans des espaces confinés.
- Ne jamais rouler où le bruit peut déranger, comme aux abords des hôpitaux ou des quartiers résidentiels.
- Ne jamais rouler à l'intérieur: les gaz d'échappement sont nocifs.

Controler votre modèle avant chaque utilisation.

- Vérifier que les vis et les écrous sont bien serrés. Il est très fortement conseillé d'utiliser du frein filet pour bloquer les vis qui sont en contact avec du métal et tout particulièrement les vis du moteur.
- Toujours utiliser des batteries bien chargées pour l'émission et la réception.
- Toujours vérifier les freins et la commande des gaz avant de démarrer.
- Vérifier qu'aucune autre personne n'utilise votre fréquence radio.

Après l'Opération De Votre Modèle de R/C

- Le virage du récepteur premier, alors virage de l'émetteur, ceci empêchera des fugitifs.
- Faire attention en contrôlant des piles, ils auront chaud après avoir couru.
- Remplacer n'importe quelles piles qui ont été cabossées ou a éraillé des fils, les court-circuits peuvent causer le feu.
- Etre sûr de garder votre modèle de R/C nettoie et libère de terre et la graisse supplémentaires, ceci augmentera la vie.

Equipment needed / Benötigtes Zubehör / Equipement nécessaire

Radio Gear / Fernsteueranlage / Equipement Radio

Radio control system

• You will need a 2-Channel radio system with one servo, receiver, an electronic speed control with an ON/OFF switch.

Fernsteueranlage

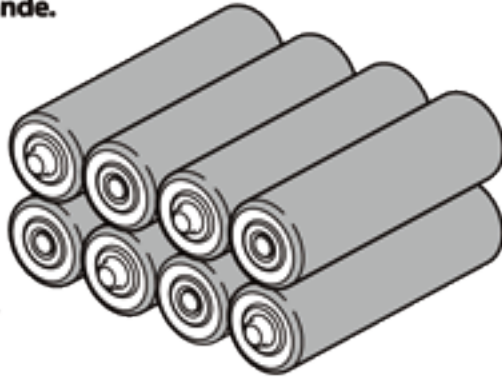
• Sie werden ein 2-kanal Radio System mit einem Servo, Empfänger, eine elektronische Geschwindigkeitssteuerung mit einem Netzschalter brauchen.

Ensemble radiocommande

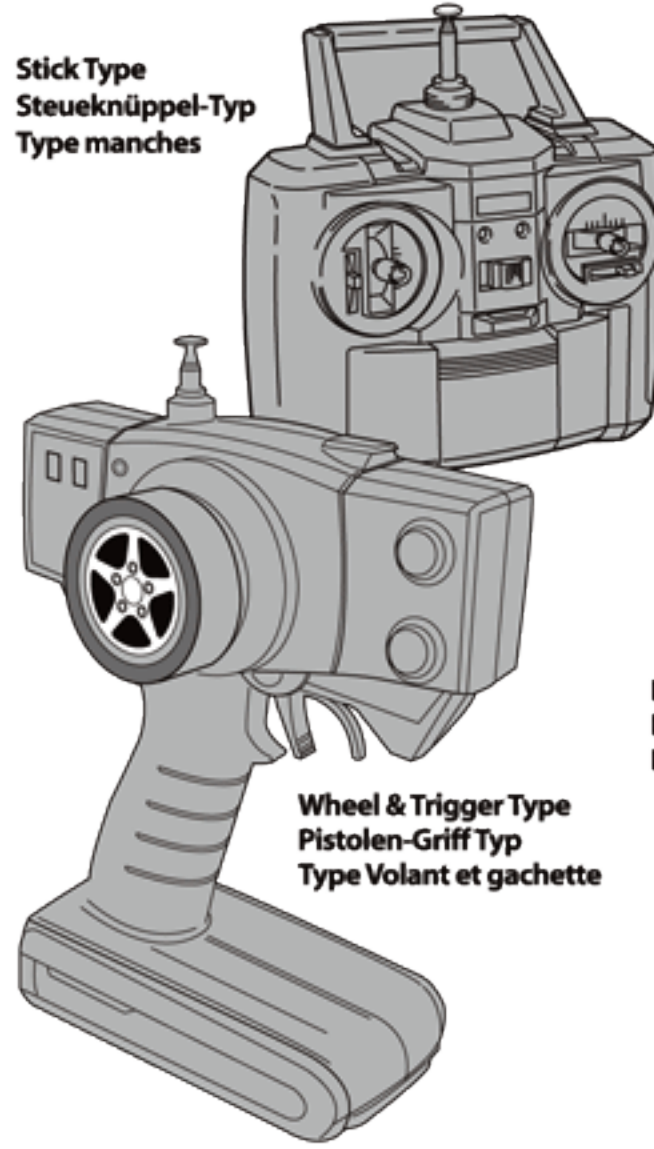
• Vous aurez besoin d'un système de radio de 2 Chaînes avec un servo, le récepteur, un contrôleur de vitesse électronique avec un interrupteur(on-off).

- 8AA Alkaline Dry Batteries.
- 8 St. AA Trockenbatterien.
- 8 piles type R6 pour votre radio commande.

8x

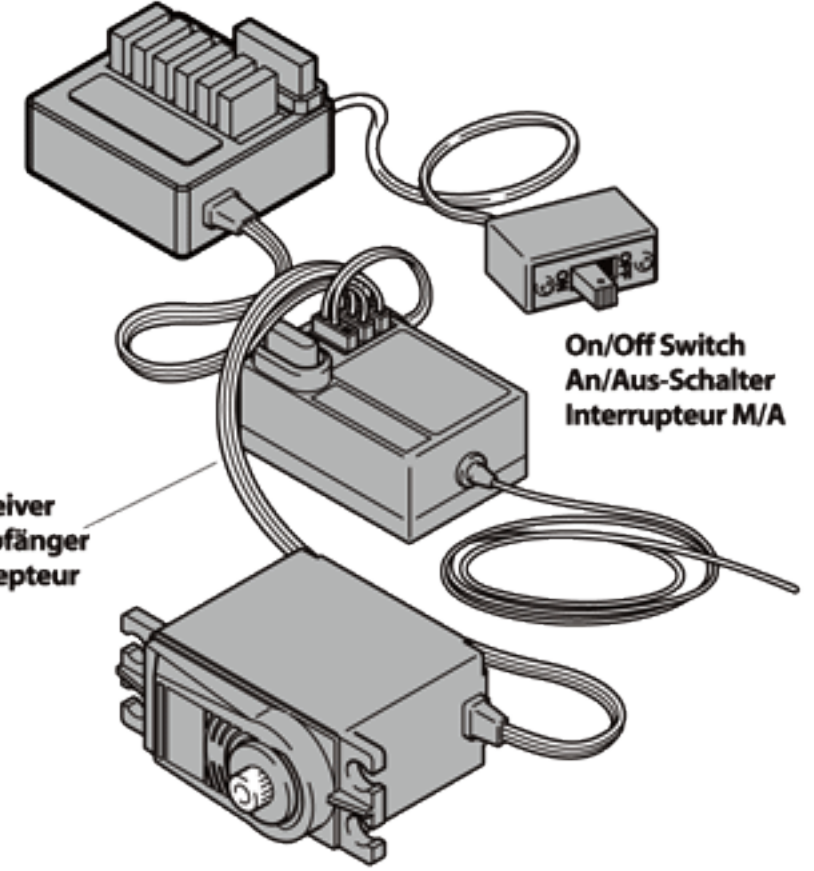


Stick Type
Steueknüppel-Typ
Type manches



Wheel & Trigger Type
Pistolen-Griff Typ
Type Volant et gachette

Electronic Speed Control
Elektrischer Fahrtenregler
Contrôleur de Vitesse électronique



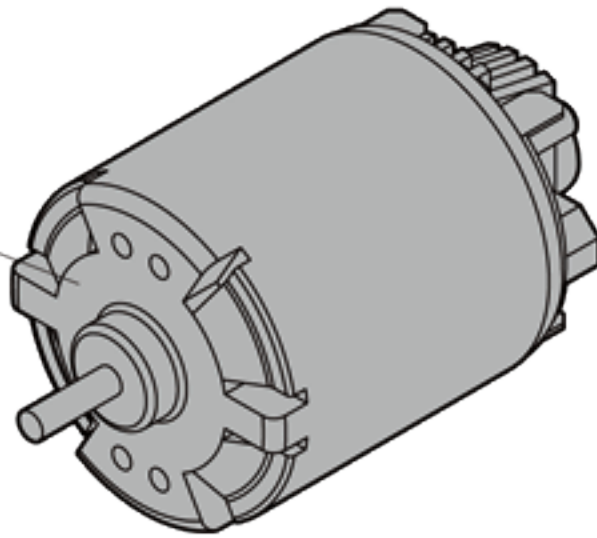
Receiver
Empfänger
Récepteur

On/Off Switch
An/Aus-Schalter
Interrupteur M/A

Steering servo
Lenkservo
Servo de direction

Motor / Motoren / Moteur

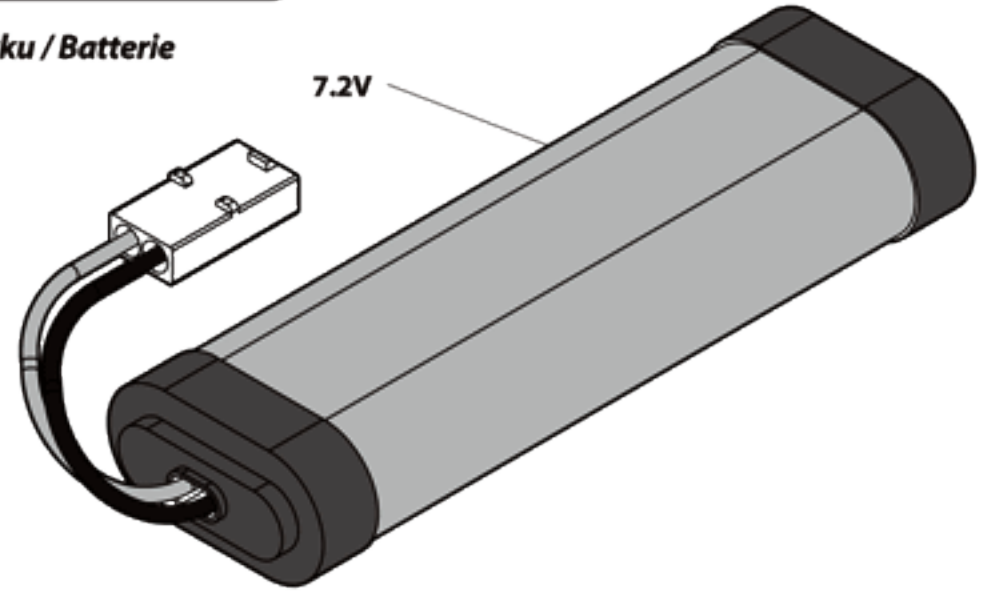
540 Size - 55T



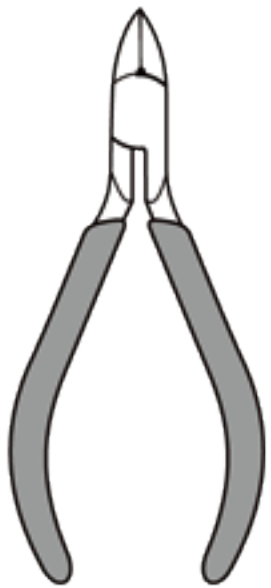
Battery / Akku / Batterie

Battery / Akku / Batterie

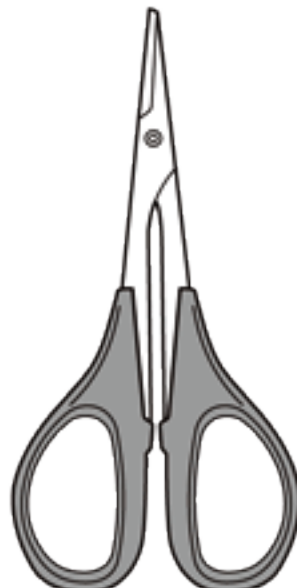
7.2V



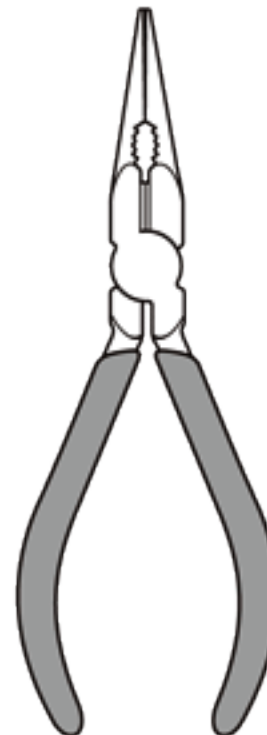
Tools Recommended / Benötigte Werkzeuge / Outillage



Side cutter
Seitenschneider
Pincès coupantes



Curved scissors
Schere
Ciseaux



Long nose pliers
Flachzange
Pincès à becs longs



Modeling knife
Modelliermesser
Couteau de modéliste

Parts Reference / Übersicht aller Teile / Référence des pièces



AX30146 x2
Shock Shaft 3x50mm



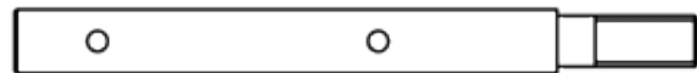
AX30162 x2
Pin 1.5x8mm



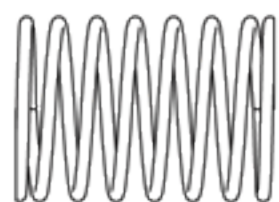
AXA30163 x6
Pin 2x10mm



AX30190 x1
Shaft 5x18



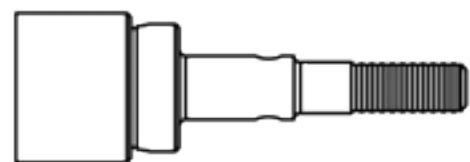
AX30198 x1
Drive gear Shaft 5x53.5



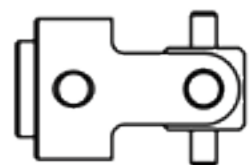
AX30200 x4
Spring 14.5x20mm



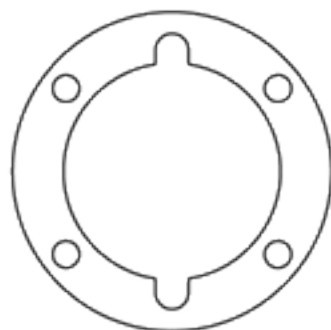
AX30207 x4
Spring 14.5x40mm



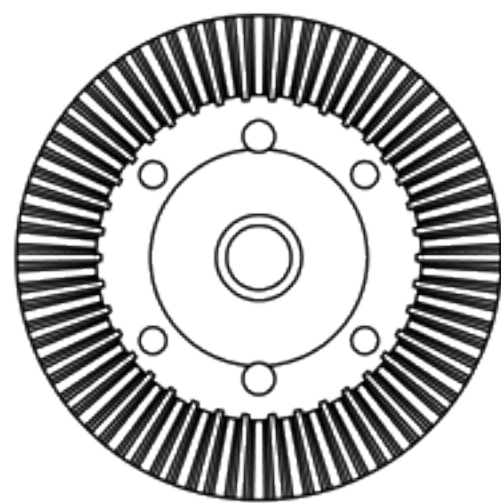
AX30366 x2
Axle 5x35mm



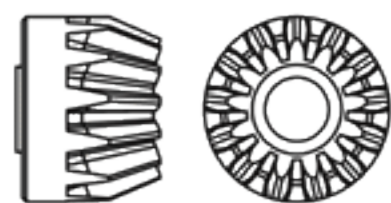
AX30380 x4
Metal Driveshaft Yoke



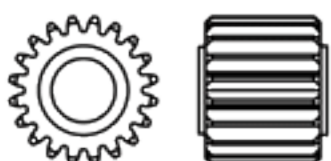
AX30385 x2
Diff Gasket 16x25x0.5mm



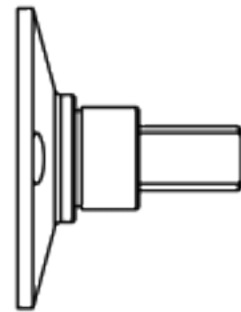
AX30392 x2
38T Bevel Gear



AX30393 x2
13T Bevel Gear



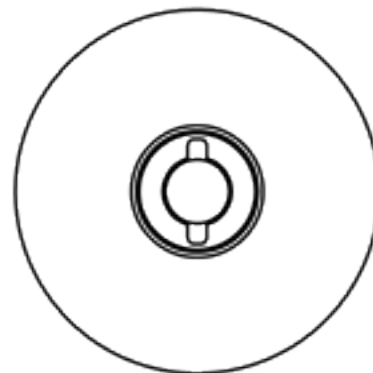
AX30394 x1
20T Drive Gear



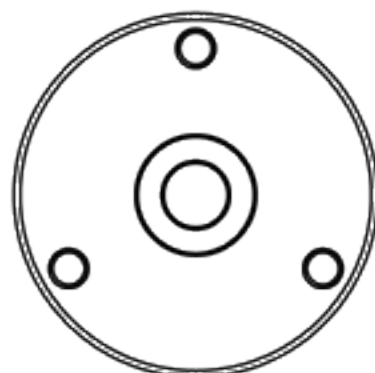
AX30404 x2
Outdrive Shaft



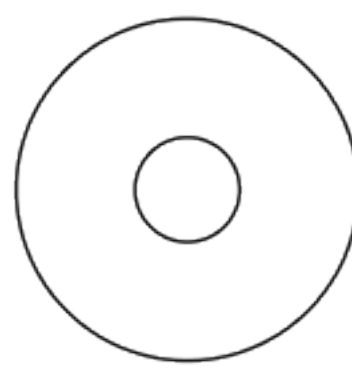
AX30405 x2
Input Shaft 5x28mm



AX30410 x1
Inner Slipper Plate



AX30411 x1
Outer Slipper Plate



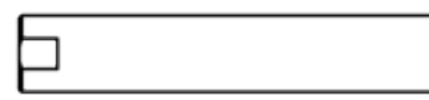
AX30412 x1
Slipper Pad 27x8x1mm



AX30498 x1
Transmission Spacer



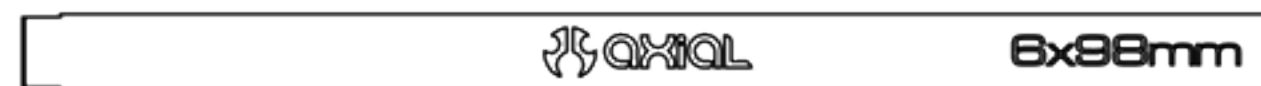
AX30500 x2
Heavy Duty Locker



AX30517 x1
6x33mm



AX30516 x3
6x106mm



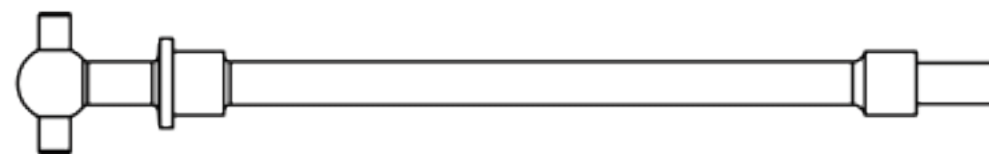
AX30518 x2
6x98mm



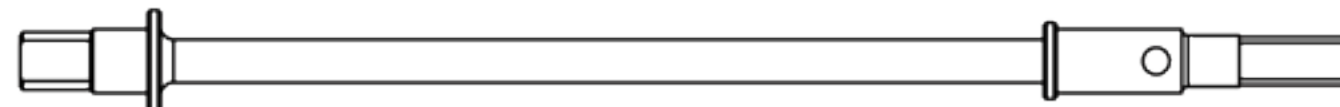
AX30413 x1
Spring 8.5x12



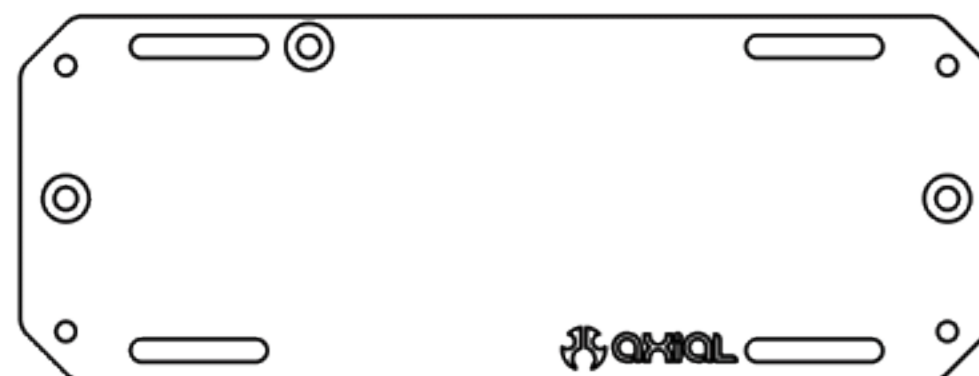
AX30427 x4
12mm Aluminum Hub



AX30420 x2
Solid Axle Dogbone 6x74mm

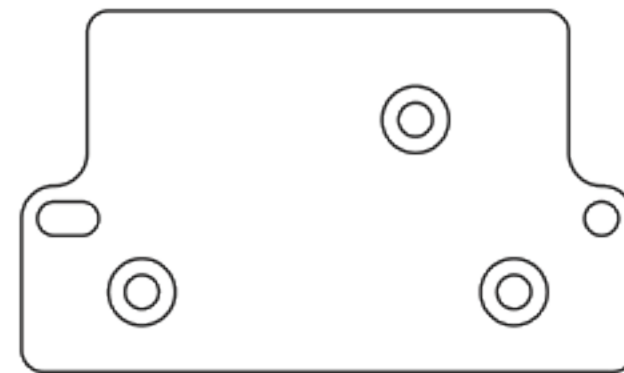


AX30421 x2
Solid Axle Dogbone 6x104.5mm

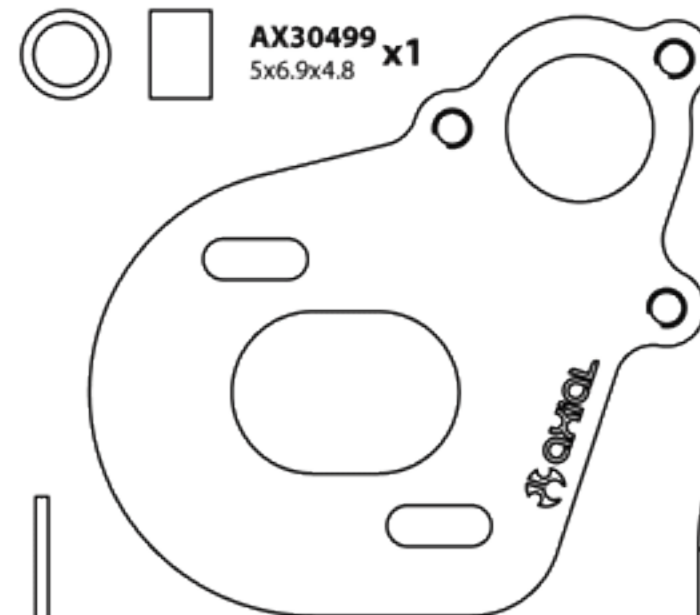


AX30450 x4
Flange Pipe 3x4.5x5.5

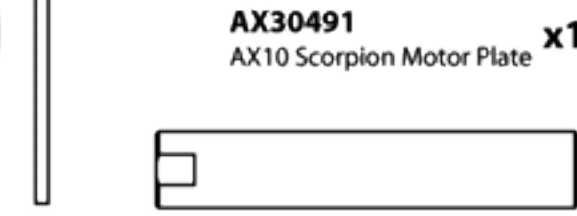
AX30483 x1
AX10 Scorpion Battery Tray



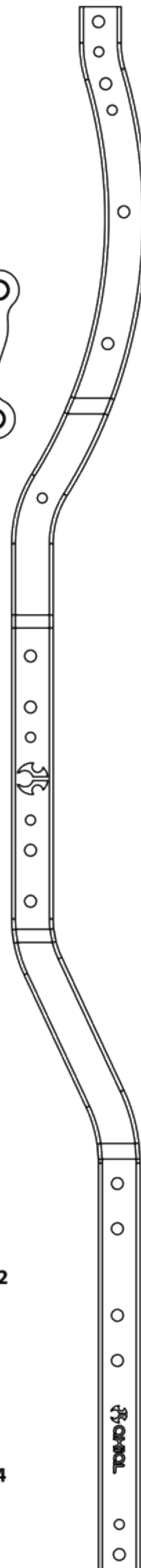
AX30485 x1
AX10 Scorpion Servo Plate



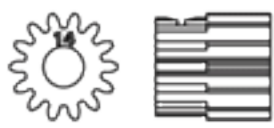
AX30491 x1
AX10 Scorpion Motor Plate



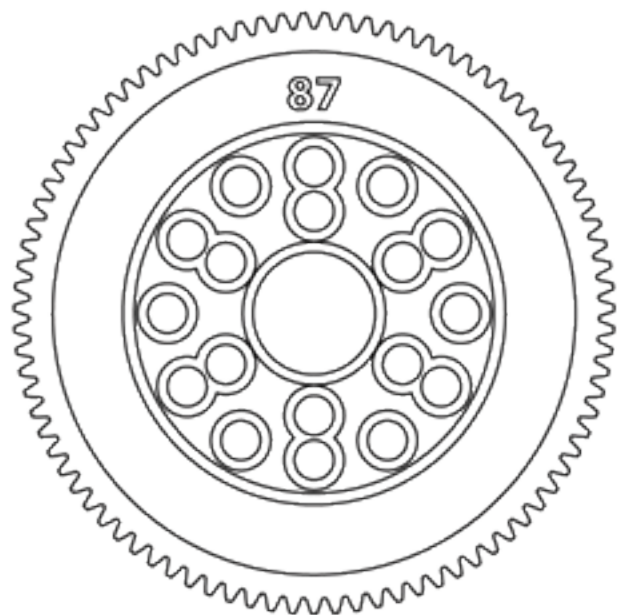
AX30499 x1
5x6.9x4.8



AX30502 x2
SCX10 Chassis Rail



AX30572
Pinion 48DP 14T **x1**



AX30672
Spur 48DP 87T **x1**

AXA013
M2x6mm **x31**

AXA015
M2x10mm **x68**

AXA083
M3x6mm **x5**

AXA085
M3x10mm **x4**

AXA087
M3x16mm **x8**

AXA088
M3x20mm **x1**

AXA089
M3x25mm **x8**

AXA1040
M3 Thin Hex Nut **x4**

AX1045
M4 Nylon Lock Nut **x5**

AXA1053
M3 Nylon Locking Hex Nut **x13**

AXA1059
6mm Body Clip **x8**

AXA1070
Washer 3x6x0.5mm **x5**

AXA1071
Washer 4x8x0.5mm **x1**

AXA1091
Washer 5x10x0.5mm **x1**

AXA1105
Cone Washer 3x6.9x2 **x1**

AXA1163
O-Ring 7x1mm **x4**

AXA1179
O-Ring 2.5x1.5mm **x10**

AXA1218
Bearing 5x10x4mm **x4**

AXA1221
Bearing 5x11x4mm **x10**

AXA1225
Bearing 8x16x5mm **x2**

AXA1230
Bearing 10x15x4mm **x6**

AXA1280
M3x10mm **x4**

AXA1327
7.5x6mm **x4**

AXA1358
Shock Damper 3x7x8 **x4**

AXA1392
E2 e-clip **x8**

AXA1393
E2.5 e-clip **x2**

AXA1414
6x2x3mm **x1**

AXA1416
6x4x3mm **x4**

AXA1421
7x20mm Post - Grey **x1**

AXA1429
7x60mm Post **x4**

AXA176
M3x2.5x13mm Screw Shaft **x6**

AXA180
M3x3mm Set Screw **x9**

AXA186
3x16mm Set Screw **x21**

AXA117
M3x15mm Hex Socket Button Head **x1**

AXA118
M3x18mm Hex Socket Button Head **x2**

AXA119
M3x20mm Hex Socket Button Head **x4**

AXA120
M3x25mm Hex Socket Button Head **x2**

AXA144
M3x8mm Hex Socket Flat Head **x1**

AXA1260
M2.5x12mm Hex Socket Tapping Flat Head **x2**

AXA463
M3x6mm Hex Socket Tapping Flat Head **x1**

AXA464
M3x8mm Hex Socket Tapping Flat Head **x15**

AXA465
M3x10mm Hex Socket Tapping Flat Head **x3**

AXA466
M3x12mm Hex Socket Tapping Flat Head **x4**

AXA468
M3x18mm Hex Socket Tapping Flat Head **x2**

AXA469
M3x20mm Hex Socket Tapping Flat Head **x4**

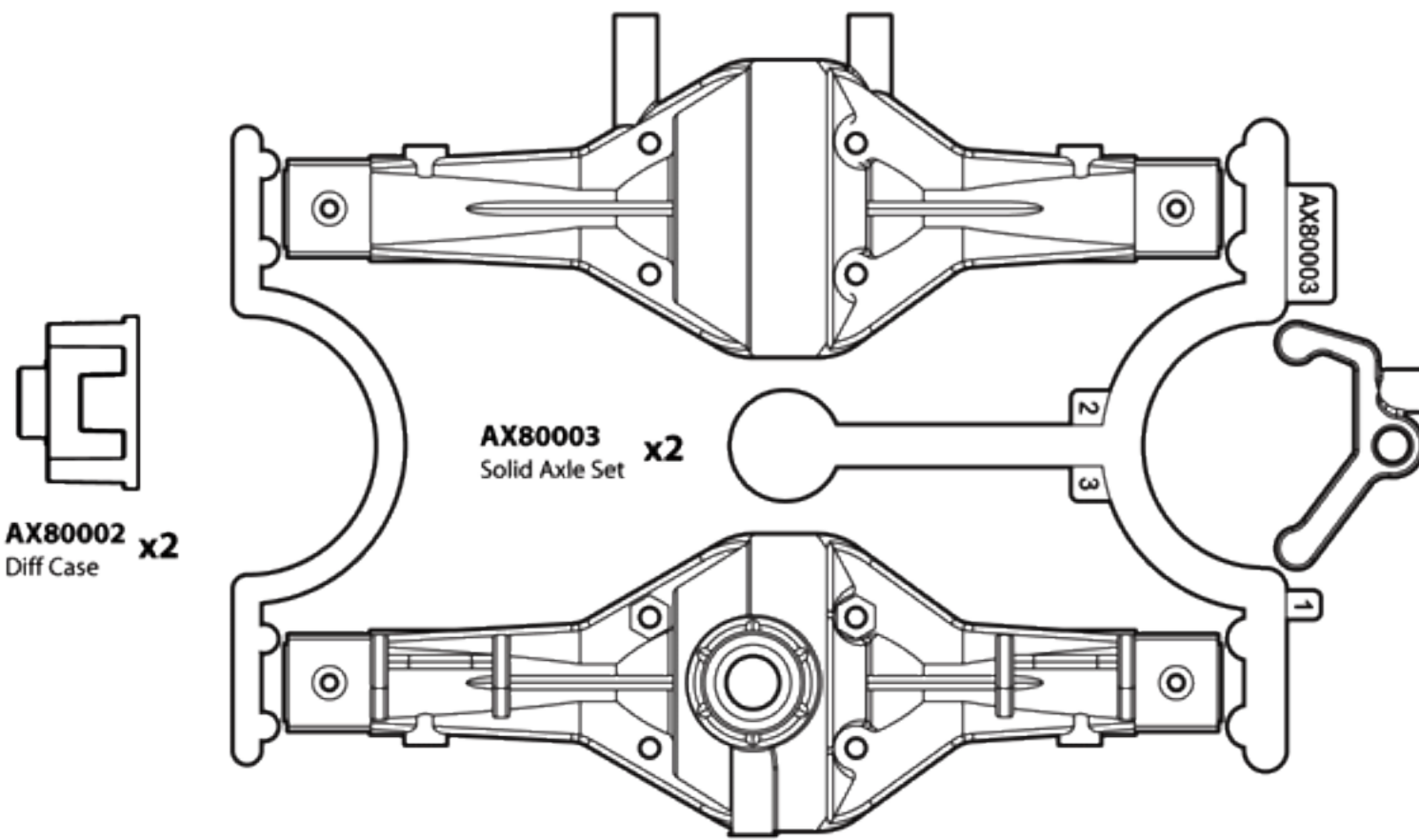
AXA471
M3x30mm Hex Socket Tapping Flat Head **x3**

AXA433
M3x6mm Hex Socket Tapping Button Head **x17**

AXA434
M3x8mm Hex Socket Tapping Button Head **x8**

AXA435
M3x10mm Hex Socket Tapping Button Head **x12**

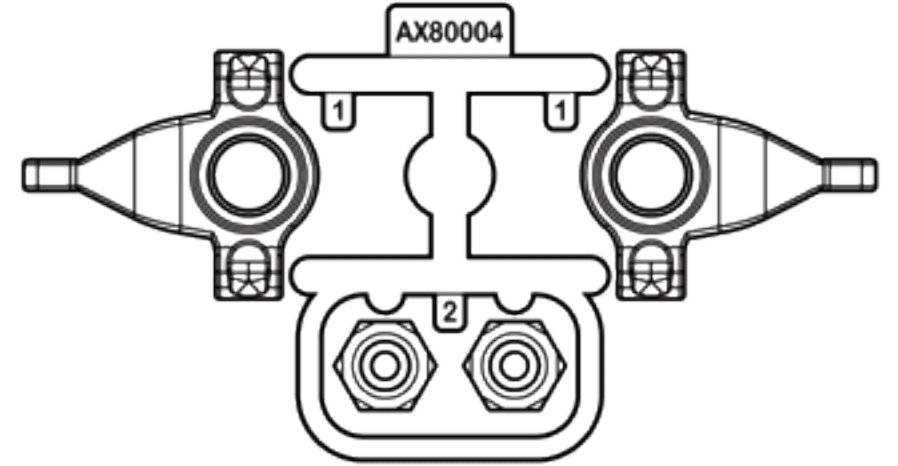
AXA438
M3x18mm Hex Socket Tapping Button Head **x4**



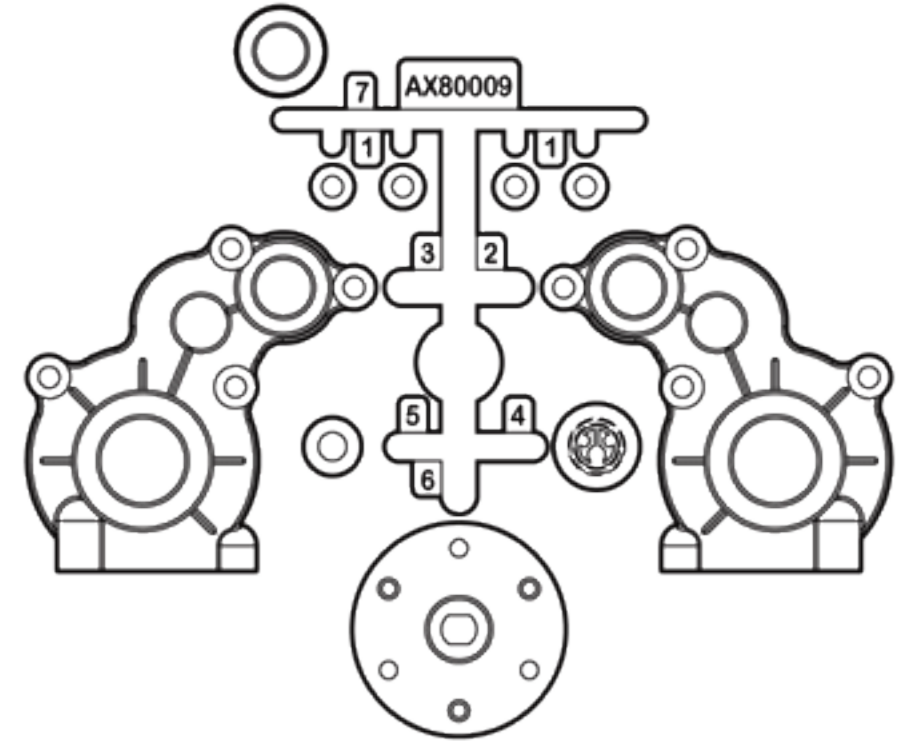
AX80003
Solid Axle Set **x2**



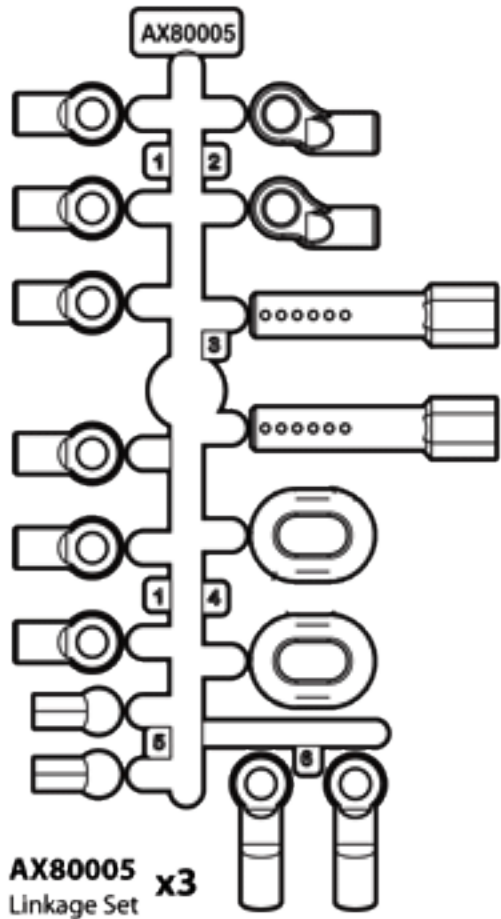
AX80002
Diff Case **x2**



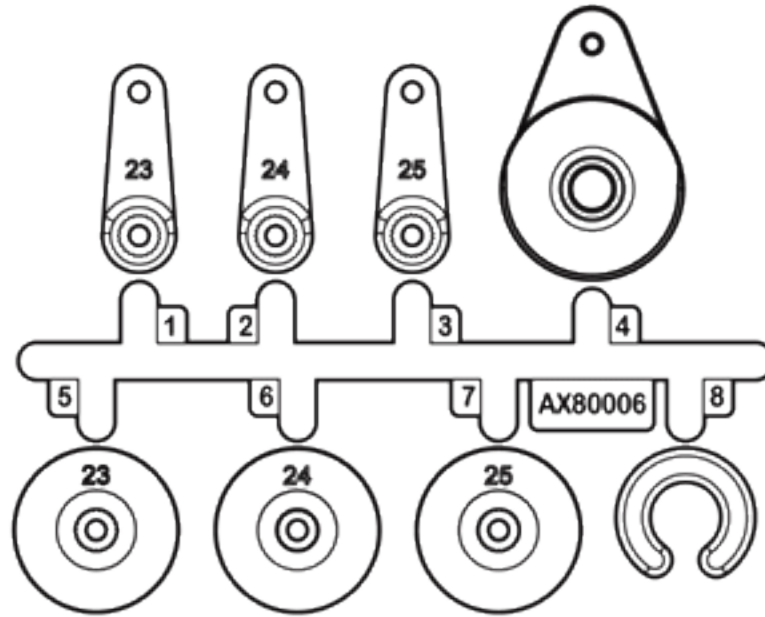
AX80004
Hub Set **x1**



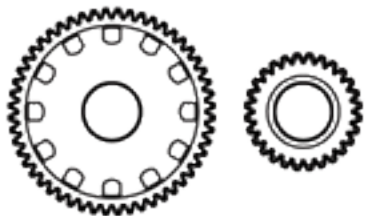
AX80009
Transmission Set **x1**



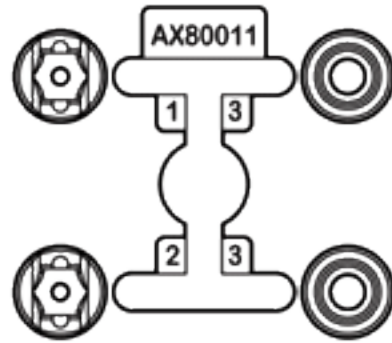
AX80005
Linkage Set **x3**



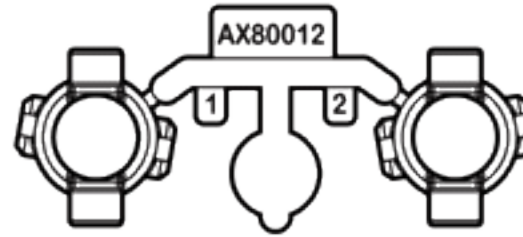
AX80006
Servo Set **x1**



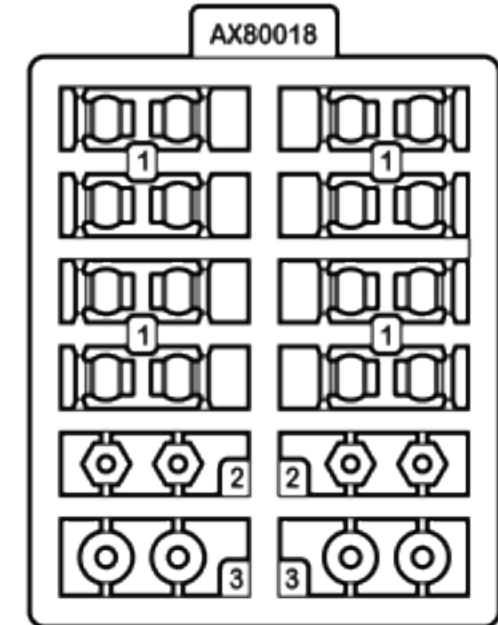
AX80010
Gear Set **x1**



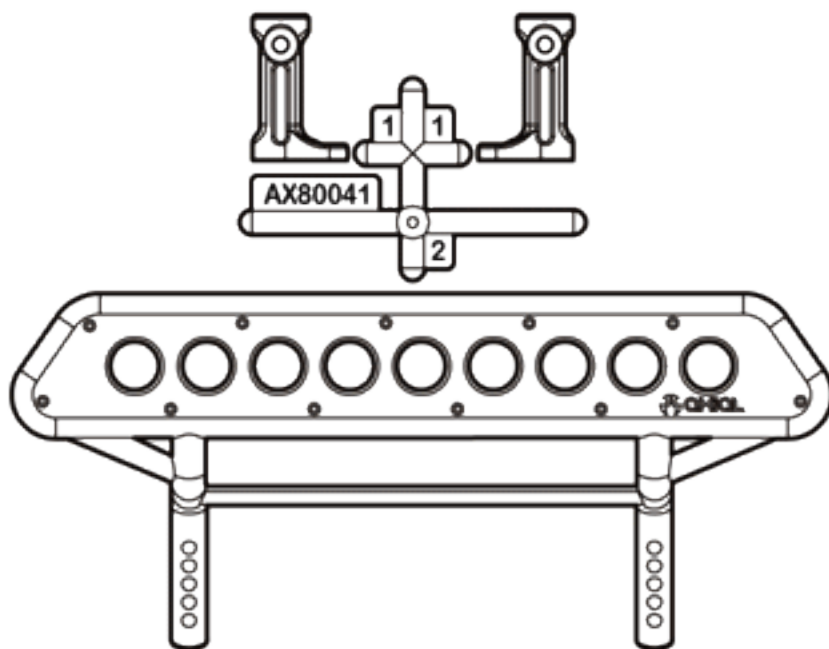
AX80011
Drive Shaft Set **x2**



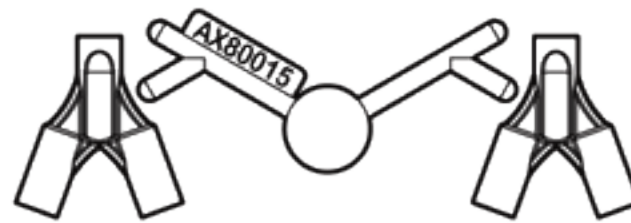
AX80012
C Hub Carrier **x1**



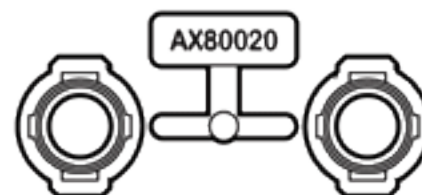
AX80018
Hardware Parts Tree **x2**



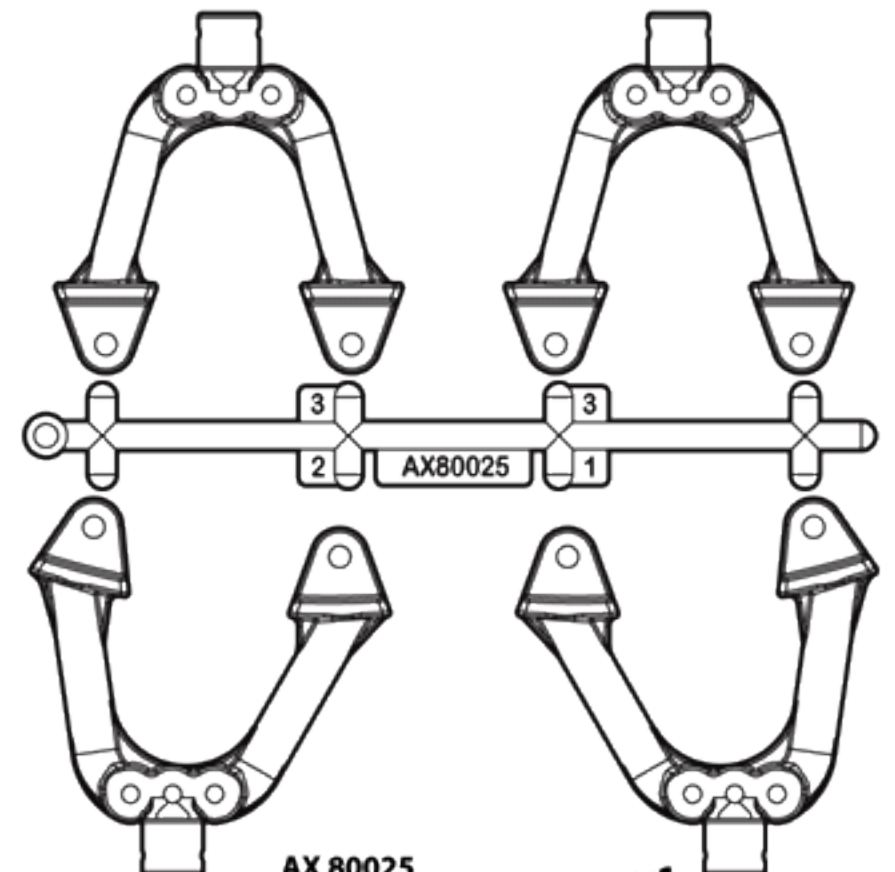
AX80041
1/10th Scale Rock Rails Set **x2**



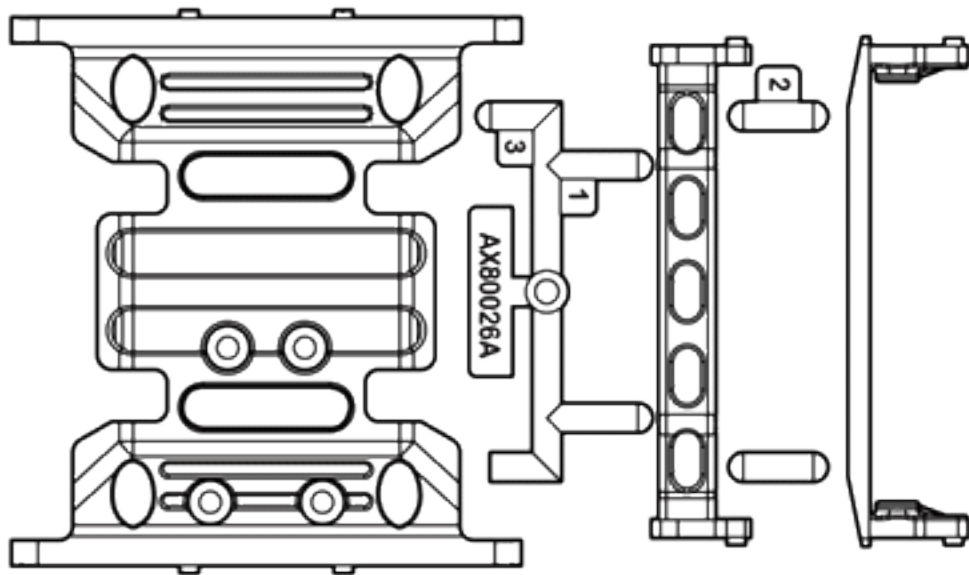
AX80015
3 Link Connector **x1**



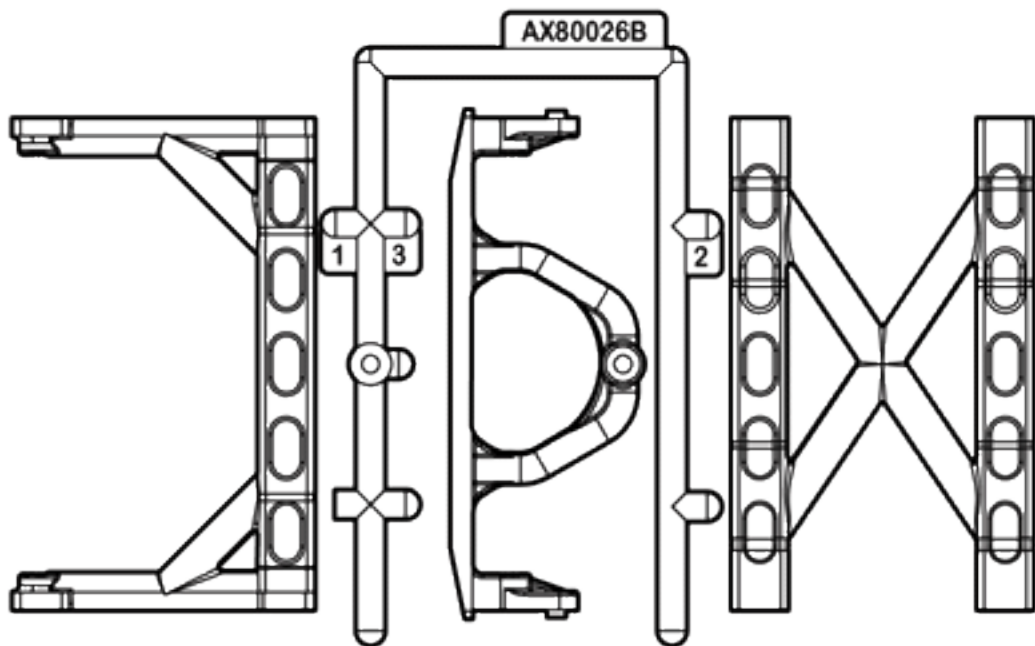
AX80020
Straight Axle Adapter Parts Tree **x1**



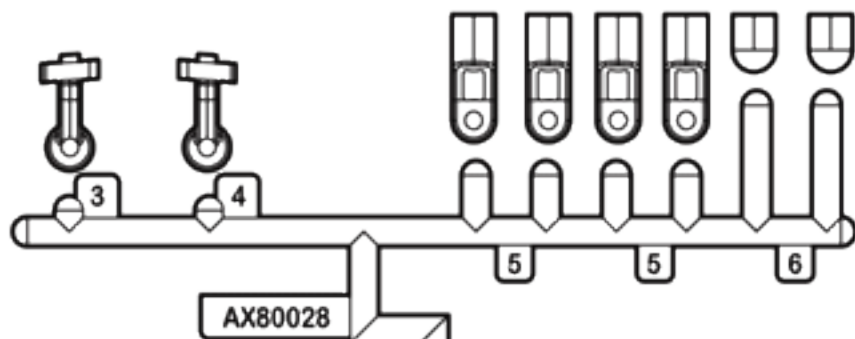
AX80025
SCX10 Shock Hoops Parts Tree **x1**



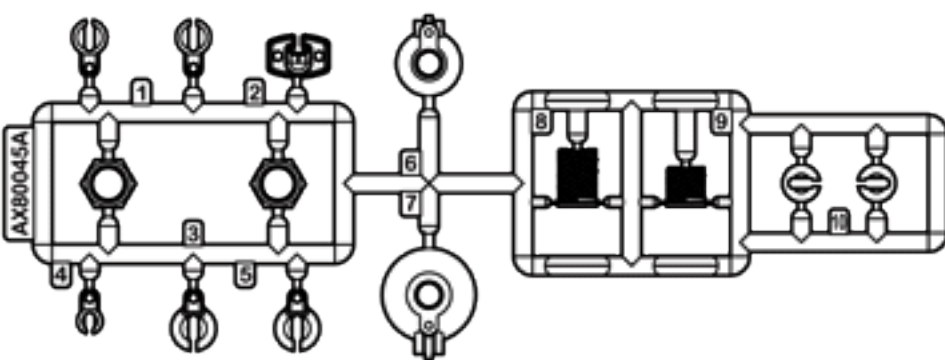
AX80026A
SCX10 Frame Brace Set **x1**



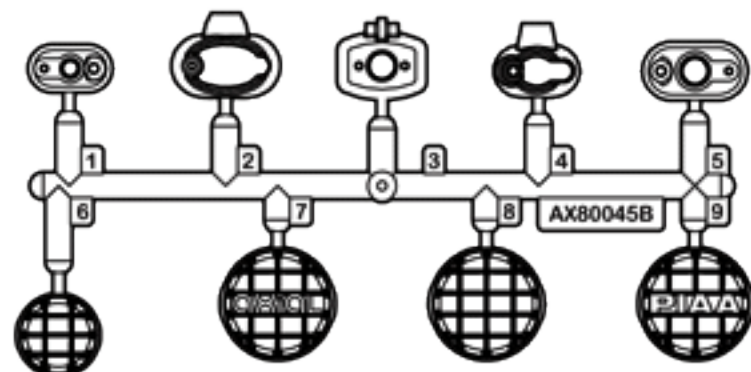
AX80026B
SCX10 Frame Brace Set **x1**



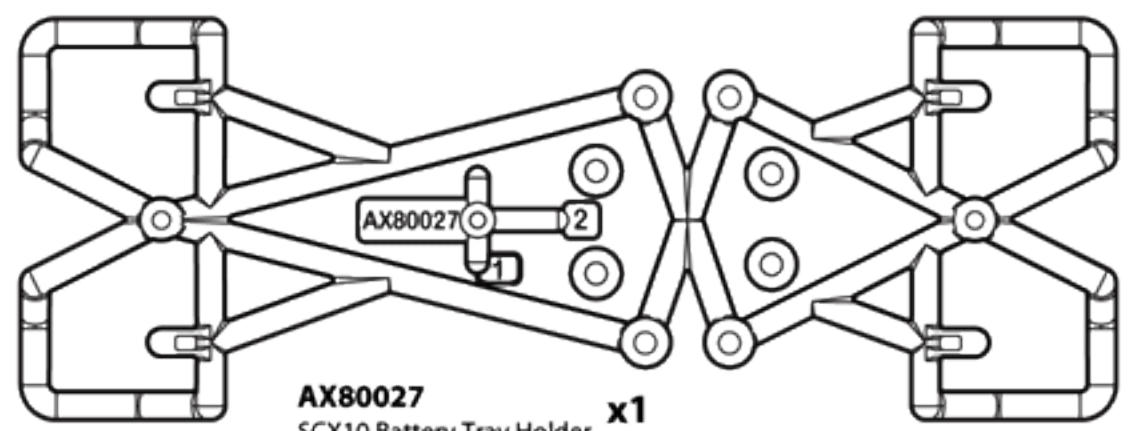
AX80028
SCX10 Radio Box Parts Tree **x1**



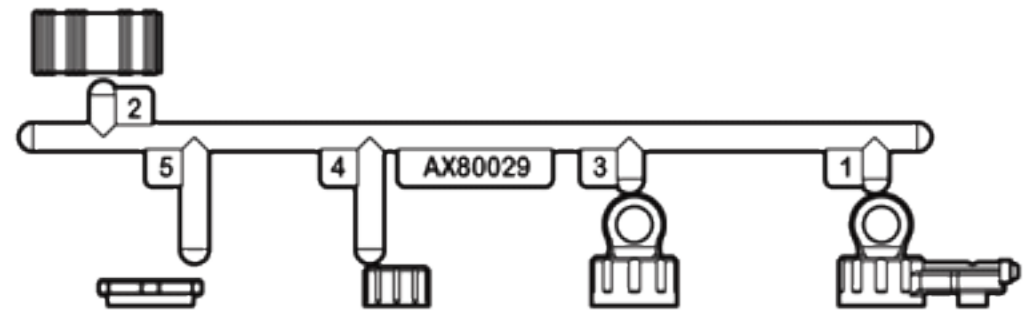
AX80045A
LED Light Holder Set **x2**



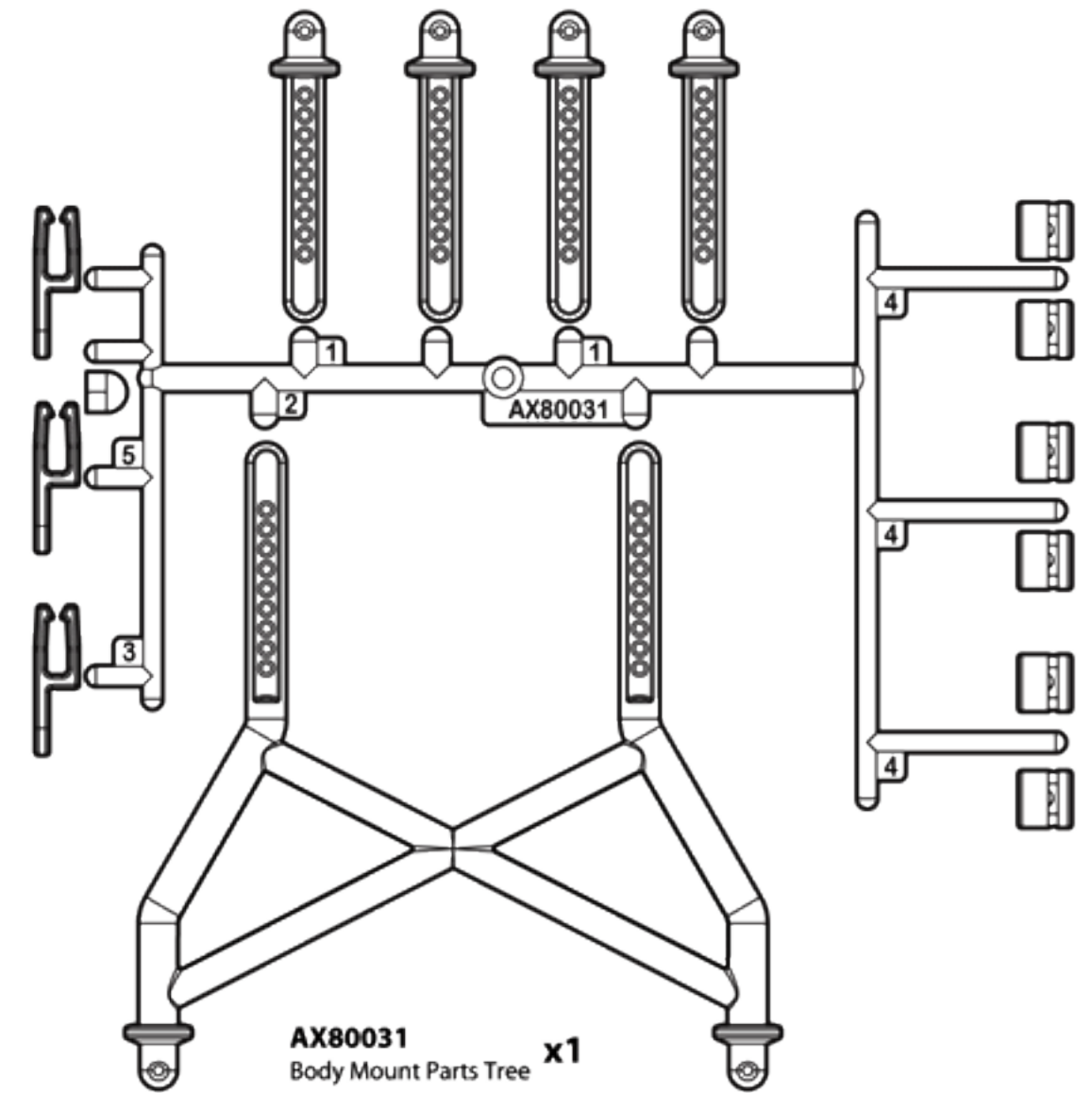
AX80045B
LED Light Holder Set **x2**



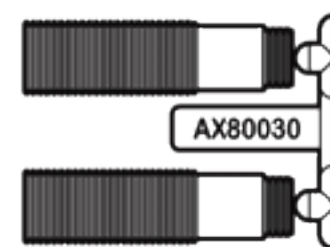
AX80027
SCX10 Battery Tray Holder **x1**



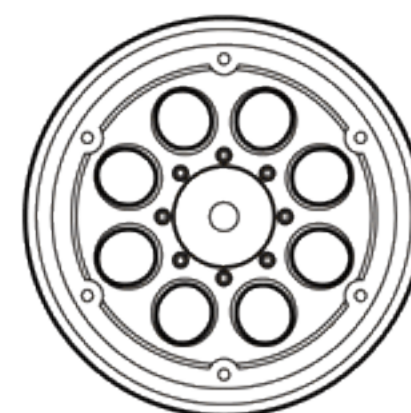
AX80029
Shock Cap Parts Tree **x4**



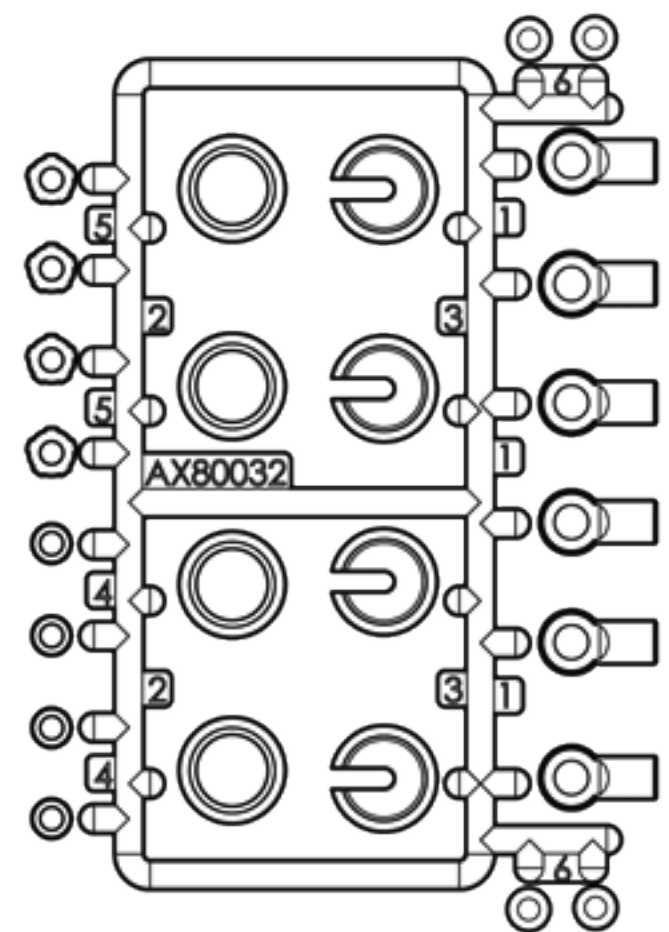
AX80031
Body Mount Parts Tree **x1**



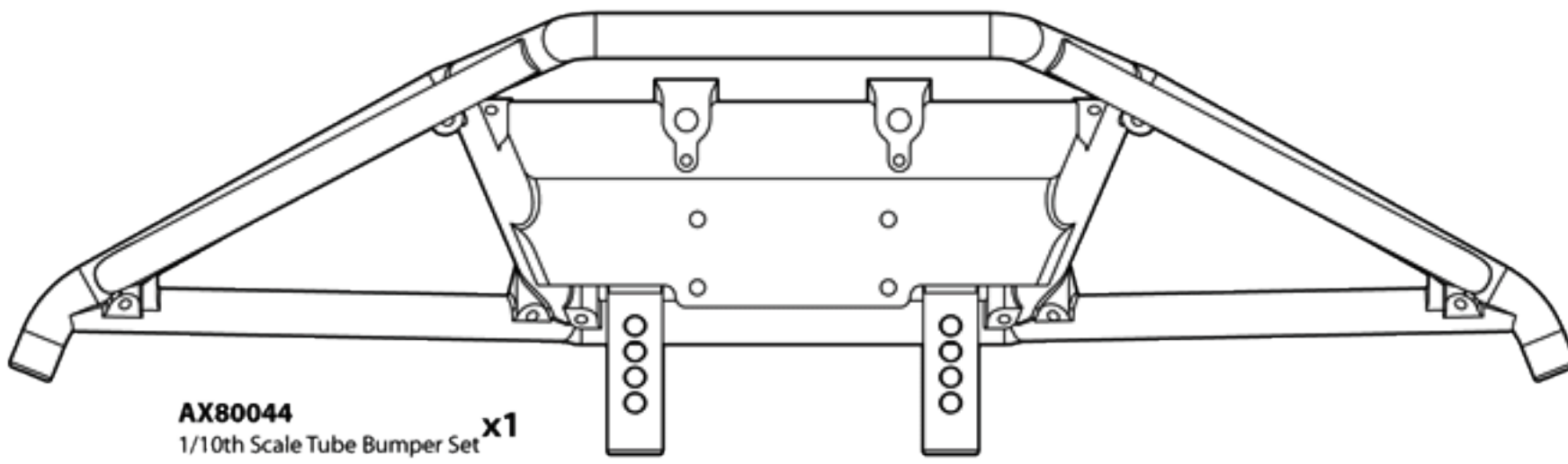
AX80030
61-90 Shock Body Set **x2**



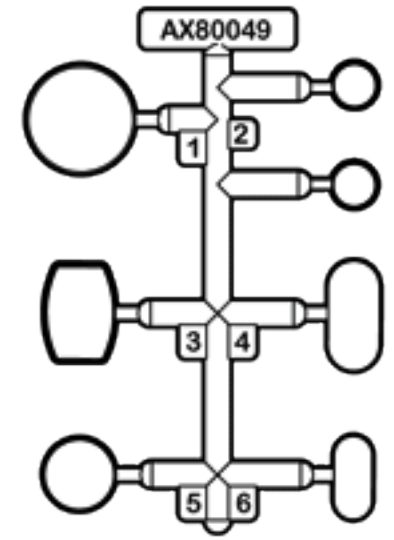
AX8088
1.9 8 Hole Beadlocks (Satin Chrome) **x4**



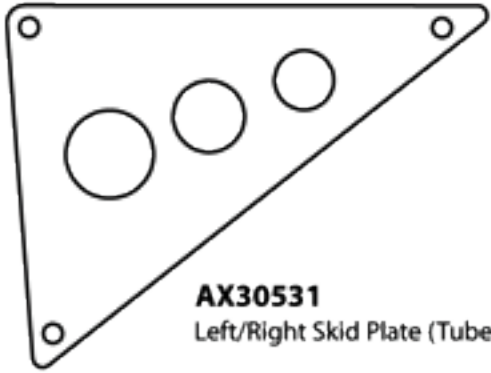
AX80032
Shock Parts **x1**



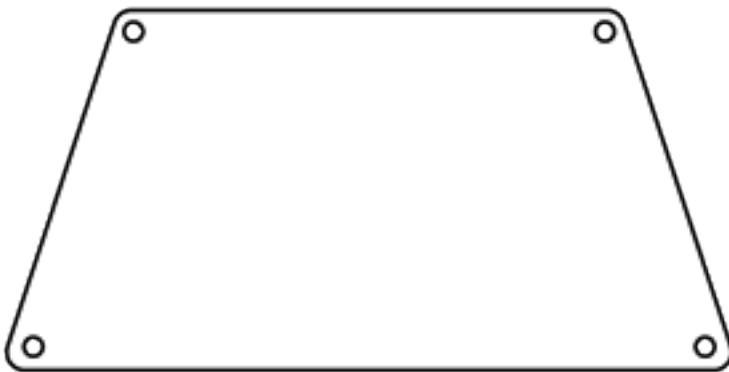
AX80044
1/10th Scale Tube Bumper Set **x1**



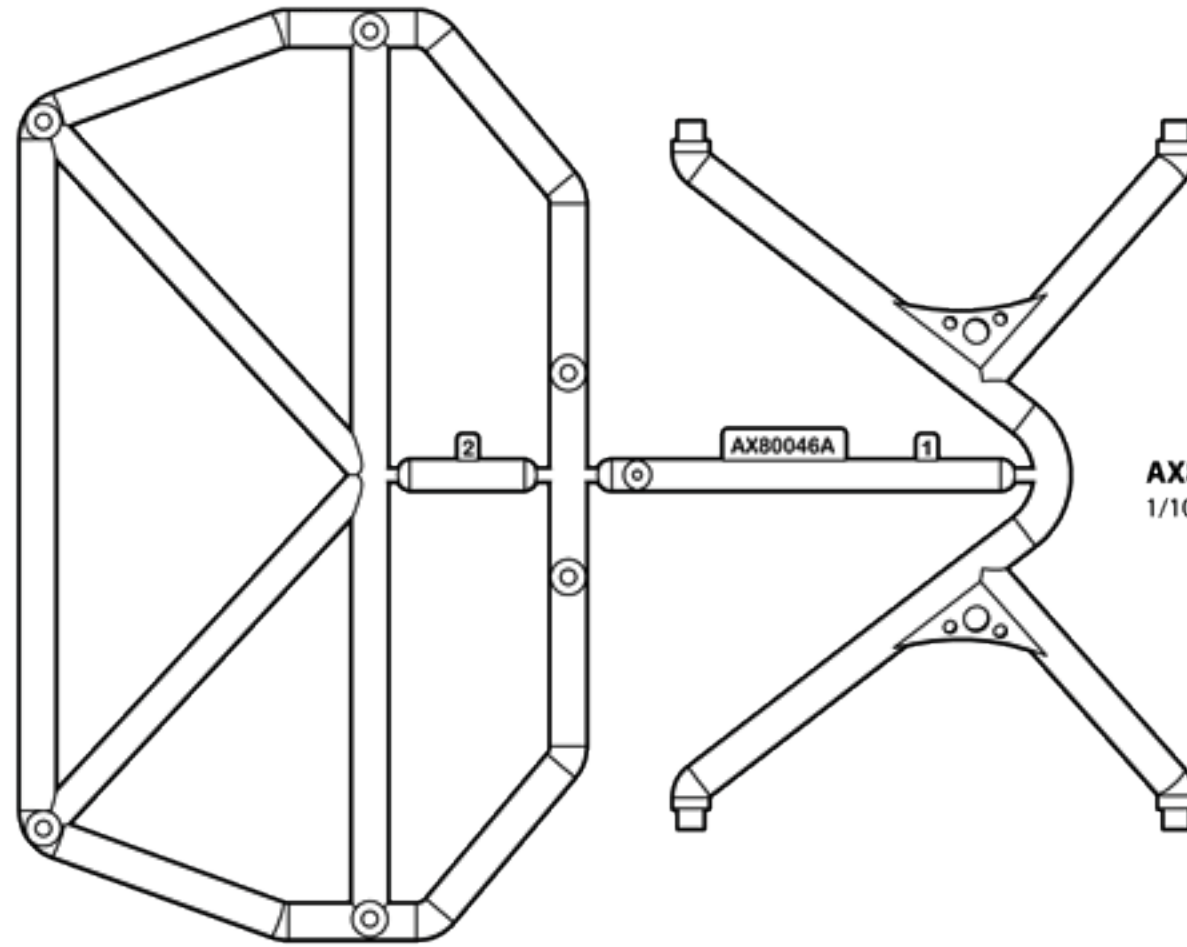
AX80049
LED Lens Set - Clear **x2**



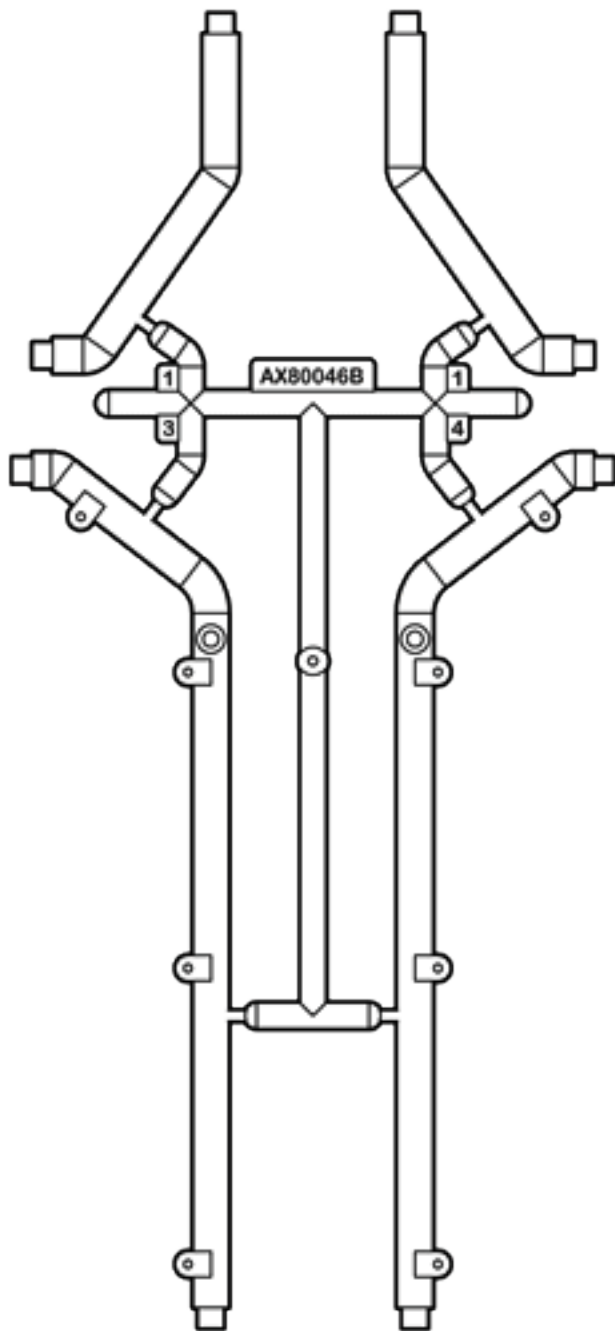
AX30531
Left/Right Skid Plate (Tube Style Bumper) **x2**



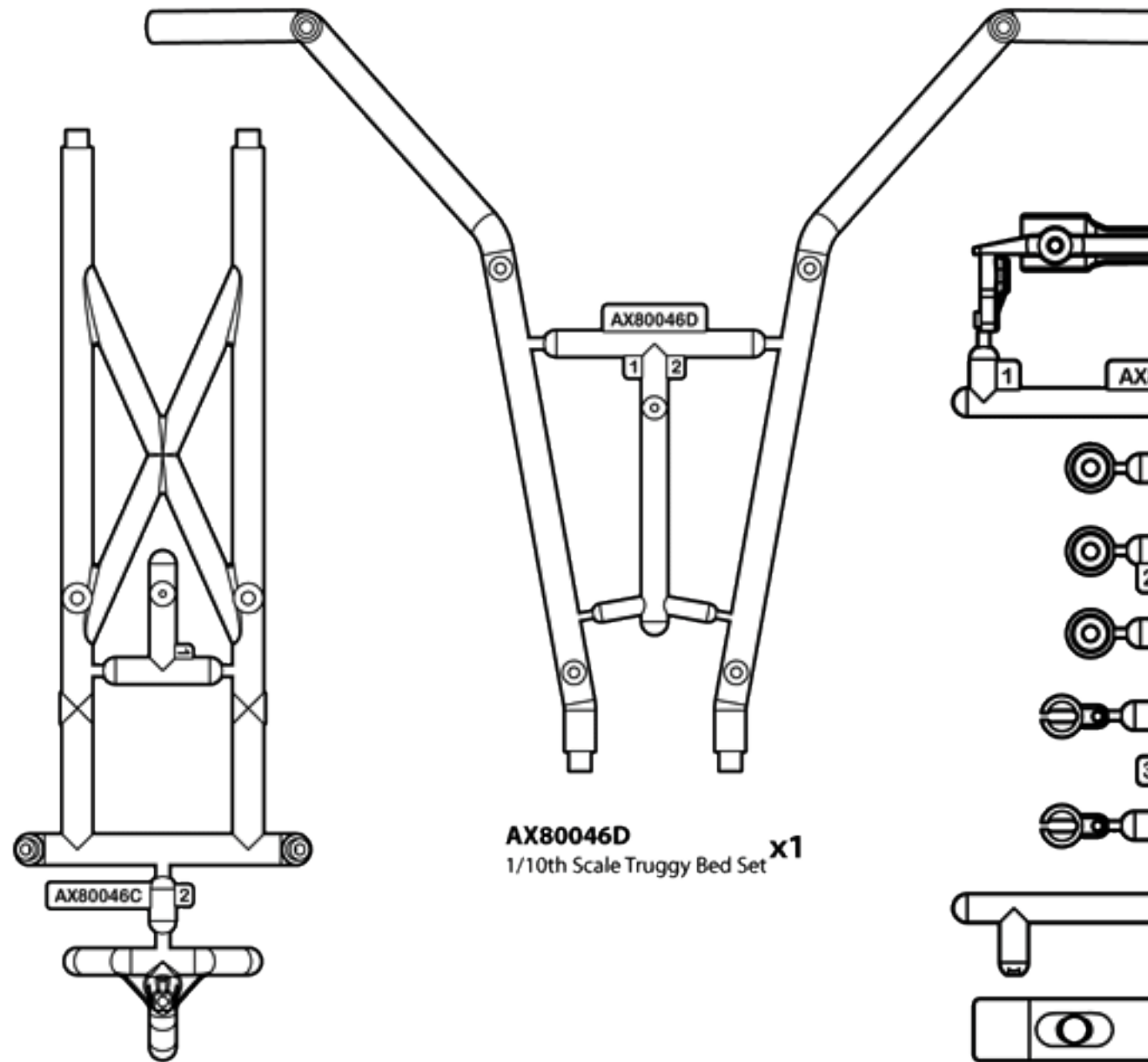
AX30530
Front Skid Plate (Tube Style Bumper) **x1**



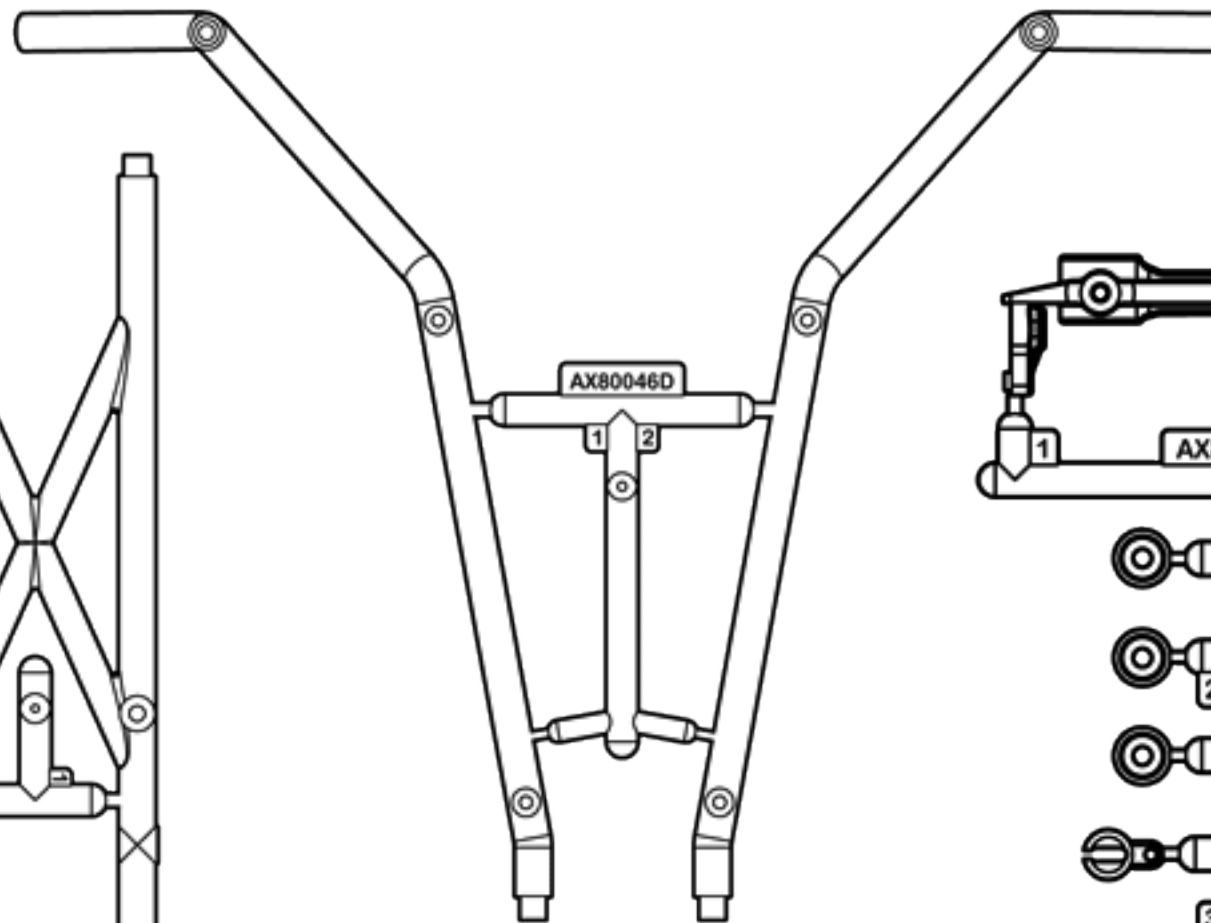
AX80046A
1/10th Scale Truggy Bed Set **x1**



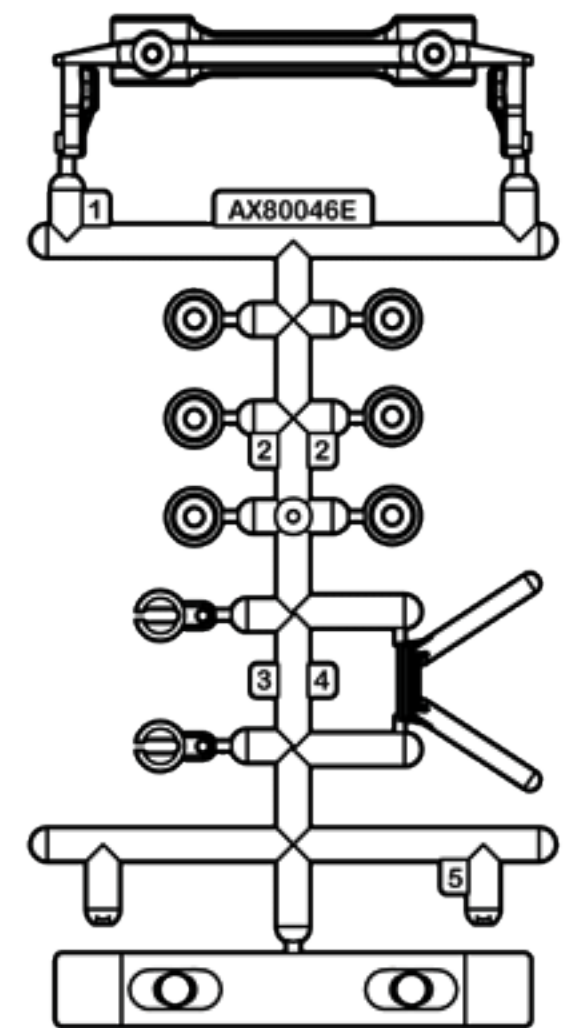
AX80046B
1/10th Scale Truggy Bed Set **x1**



AX80046C
1/10th Scale Truggy Bed Set **x1**



AX80046D
1/10th Scale Truggy Bed Set **x1**



AX80046E
1/10th Scale Truggy Bed Set **x1**

A Open Bag A



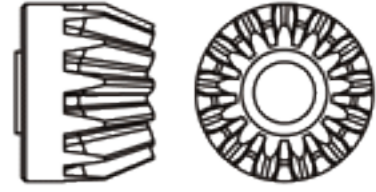
AX30405
Input Shaft 5x28mm **x1**



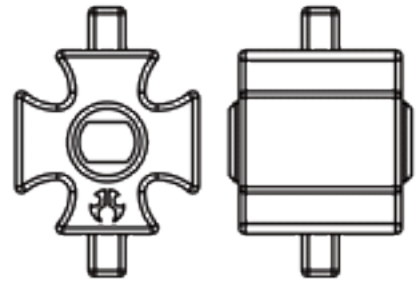
AX30163
Pin 2x10mm **x1**



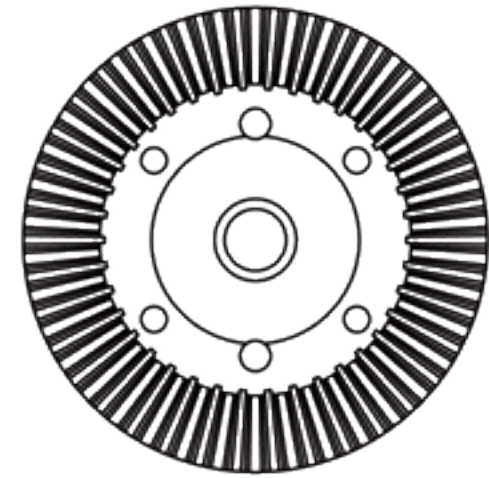
AXA1393
E2.5 e-clip **x1**



AX30393
13T Bevel Gear **x1**



AX30500
Heavy Duty Lovker **x1**



AX30392
38T Bevel Gear **x1**



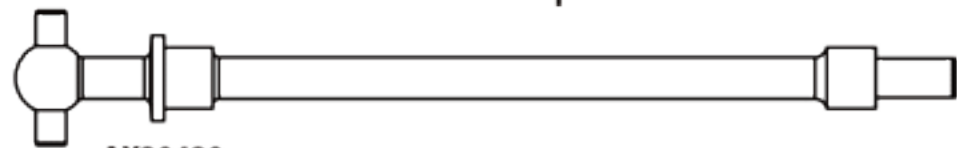
AXA015
M2x10mm **x4**



AXA1230
Bearing 10x15x4mm **x2**



AXA1221
Bearing 5x11x4mm **x2**



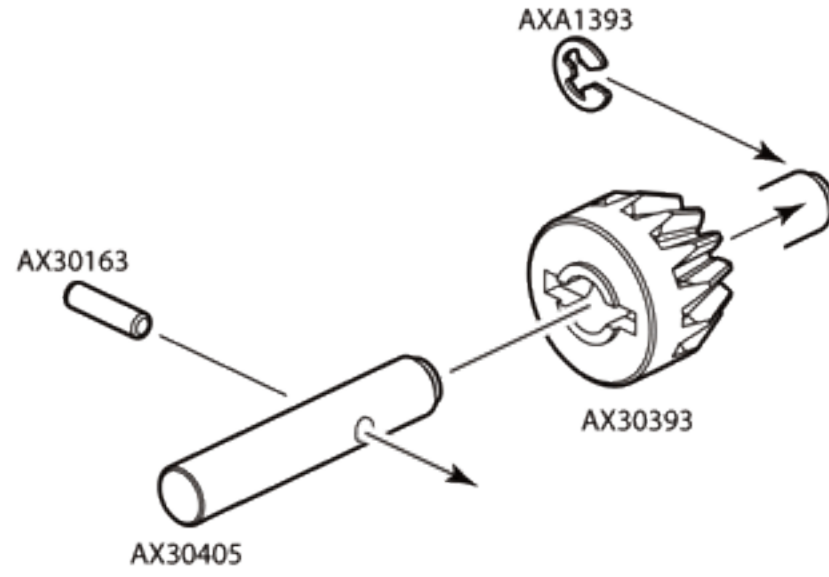
AX30420
Solid Axle Dogbone 6x74mm **x2**

Option Parts



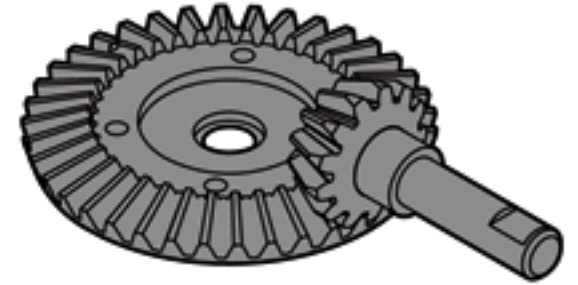
AX30464
AX10 Scorpion Universal Joint

1

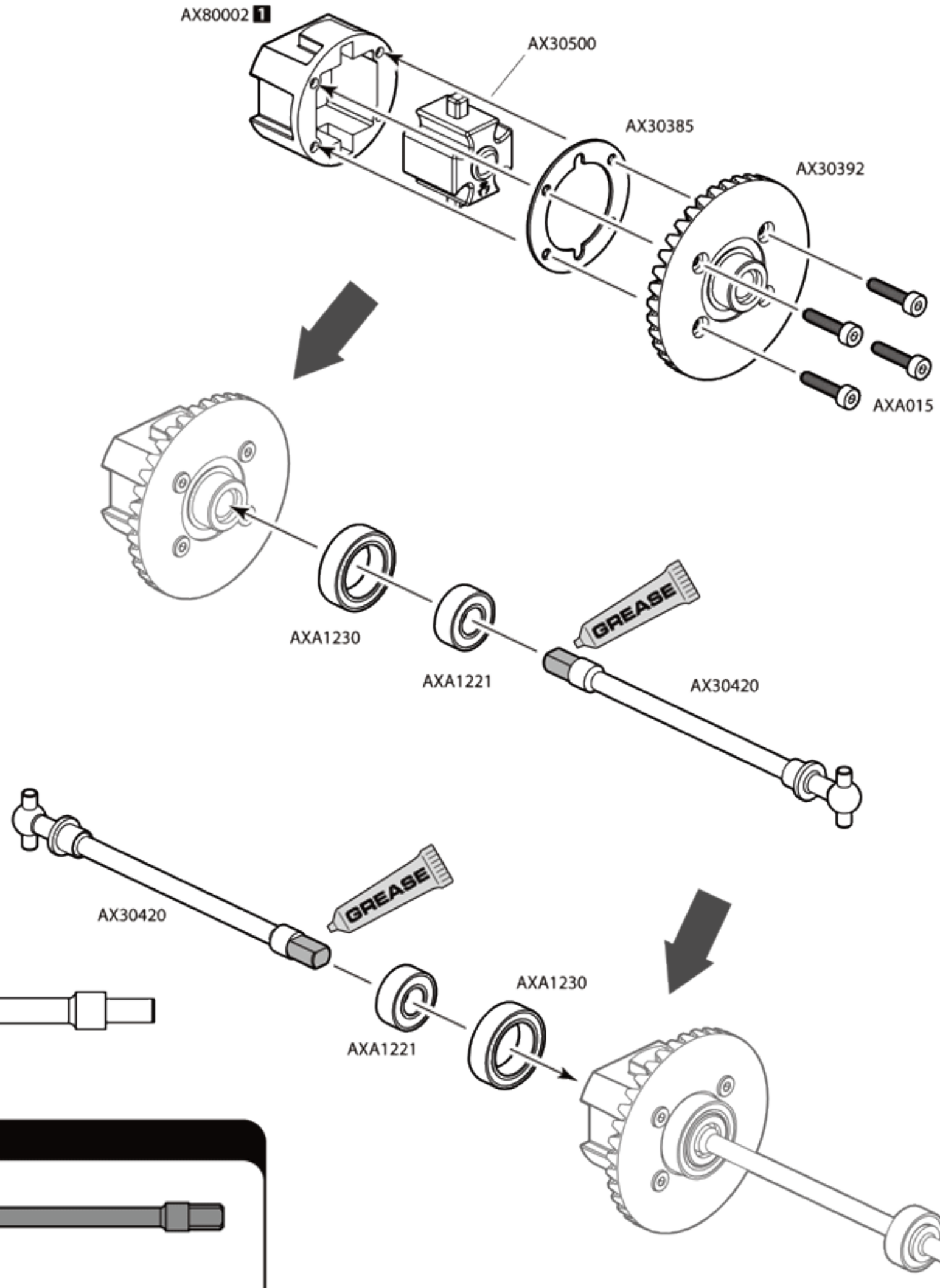


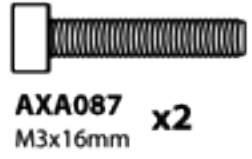
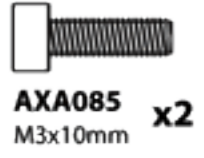
Option Parts

AX30395
Heavy Duty Bevel Gear Set



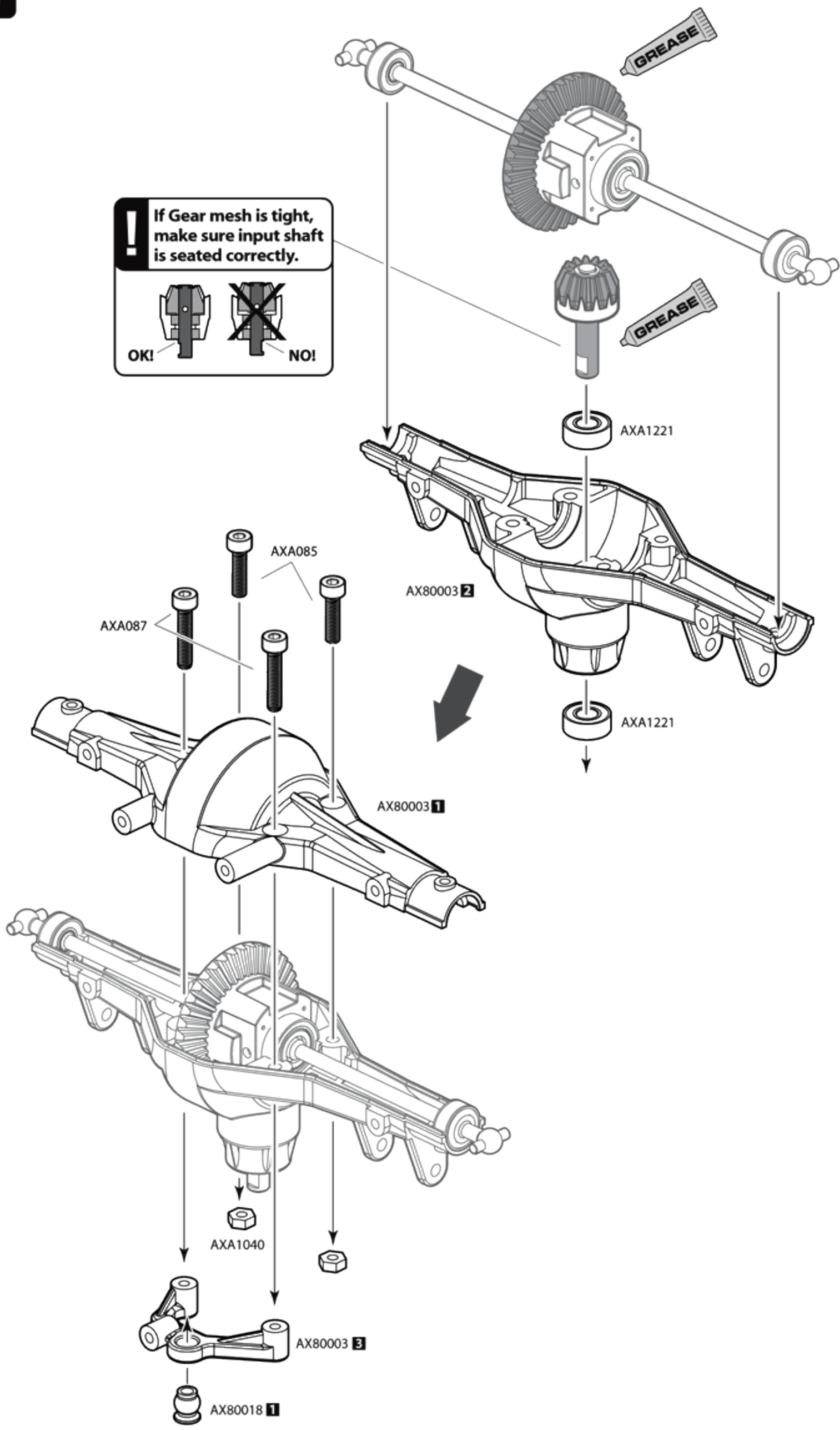
2





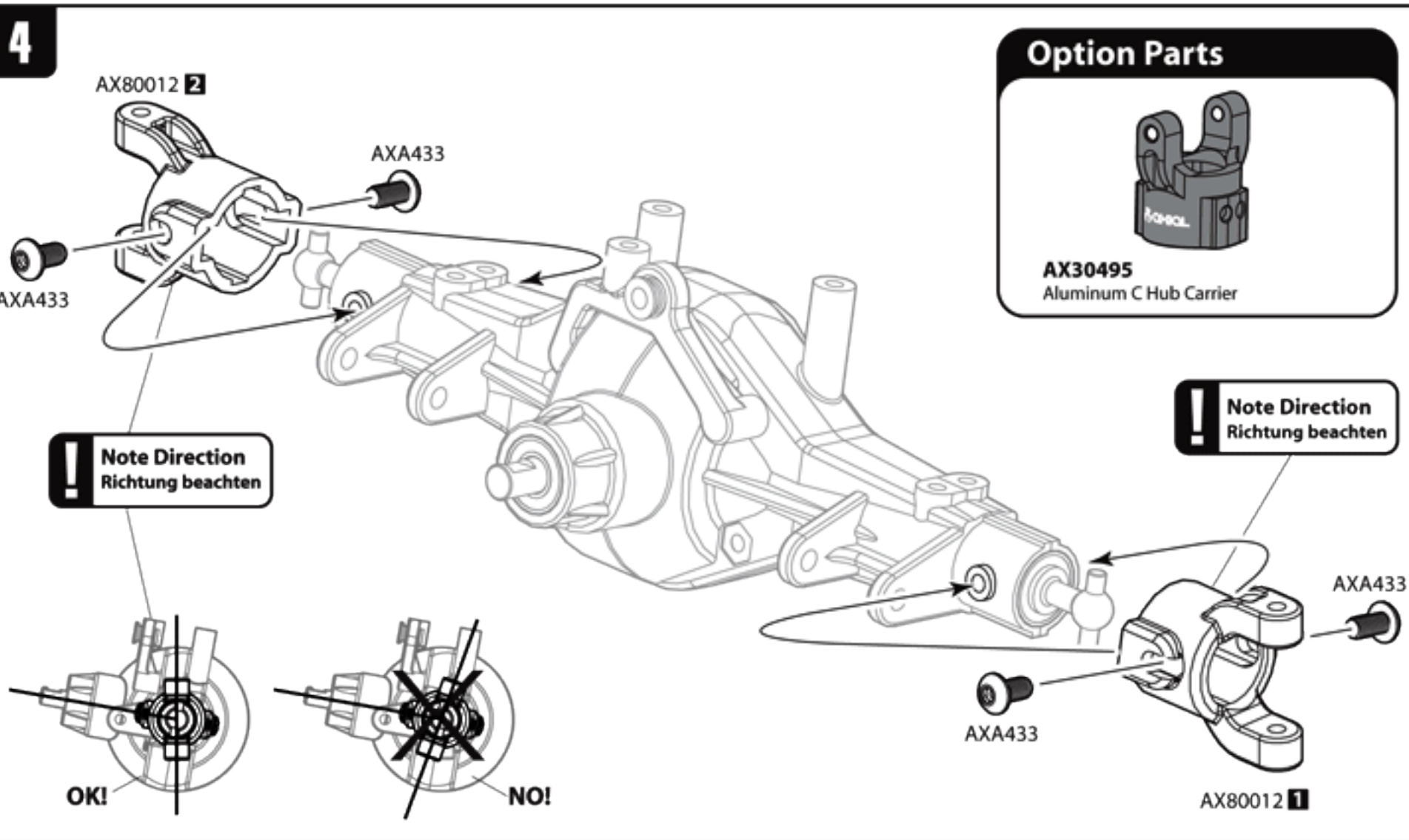
! If Gear mesh is tight, make sure input shaft is seated correctly.

OK! NO!





AXA433
M3x6mm Tapping Button Head **x4**



AX30450
Flange Pipe 3x4.5x5.5 **x4**



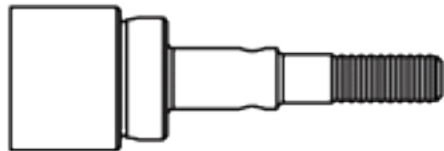
AXA435
M3x10mm Tapping Button Head **x4**



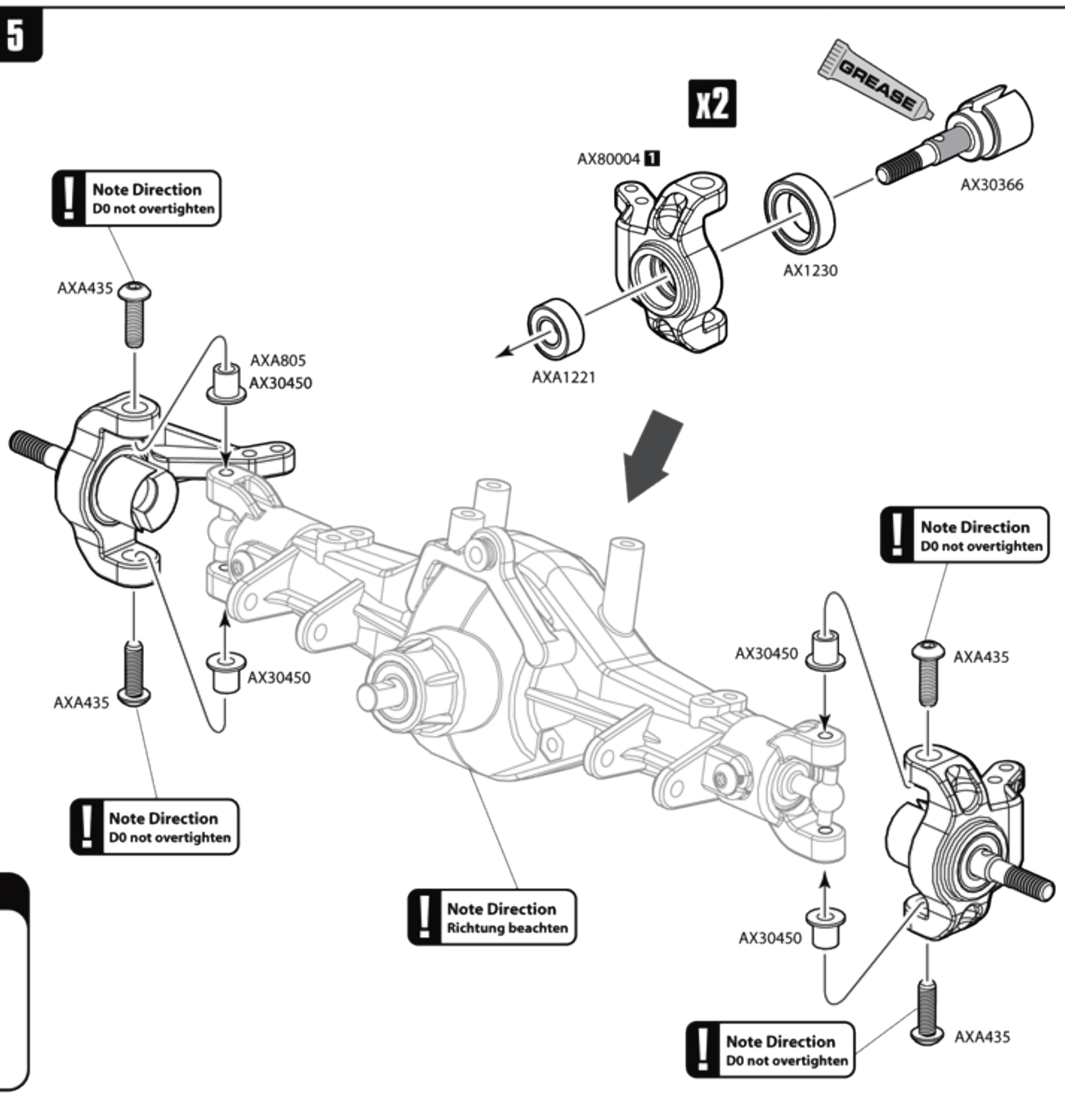
AXA1221
Bearing 5x11x4mm **x2**



AXA1230
Bearing 10x15x4mm **x2**



AX30366
Axle 5x35mm **x2**



Option Parts



AX30496
Aluminum Knuckle



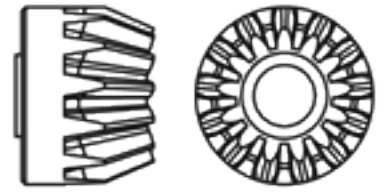
AX30405
Input Shaft 5x28mm **x1**



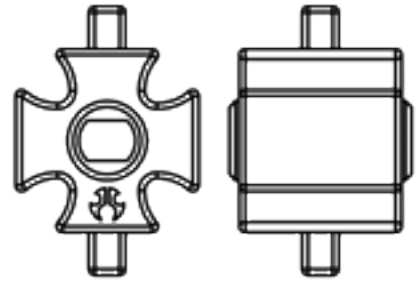
AX30163
IPin 2x10mm **x1**



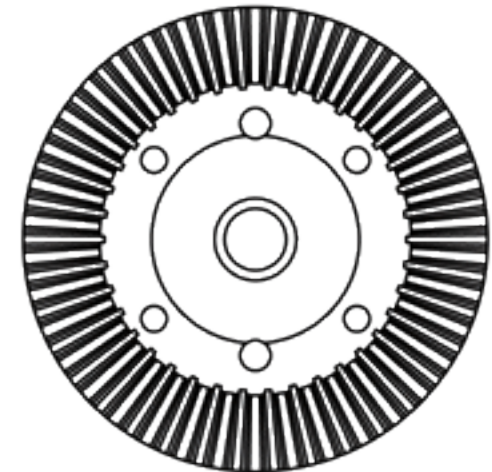
AXA1393
E2.5 e-clip **x1**



AX30393
13T Bevel Gear **x1**



AX30500
Heavy Duty Lovker **x1**



AX30392
38T Bevel Gear **x1**



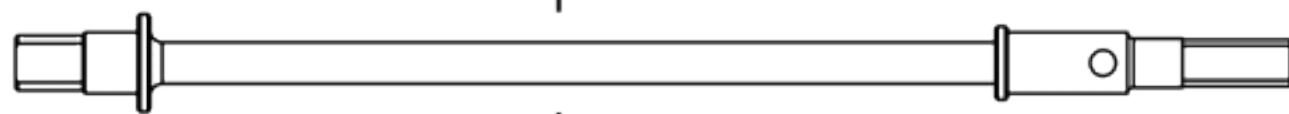
AXA015
M2x10mm **x4**



AXA1230
Bearing 10x15x4mm **x2**

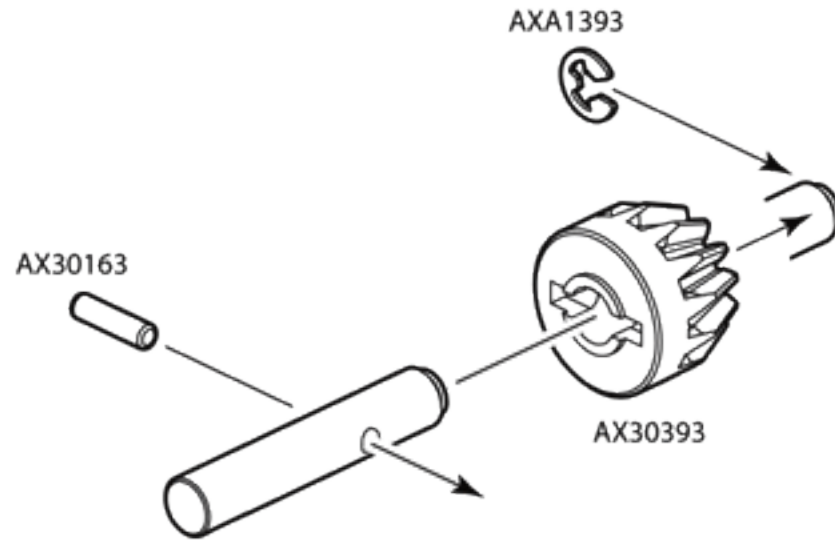


AXA1221
Bearing 5x11x4mm **x2**



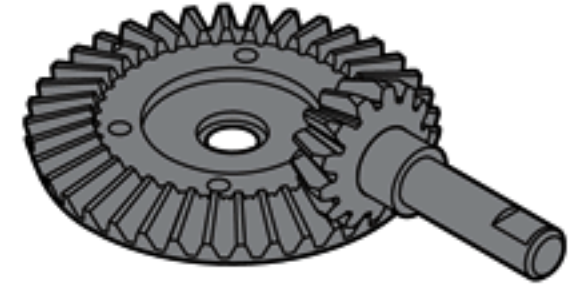
AX30421
Solid Axle Dogbone 6x104.5mm **x2**

6

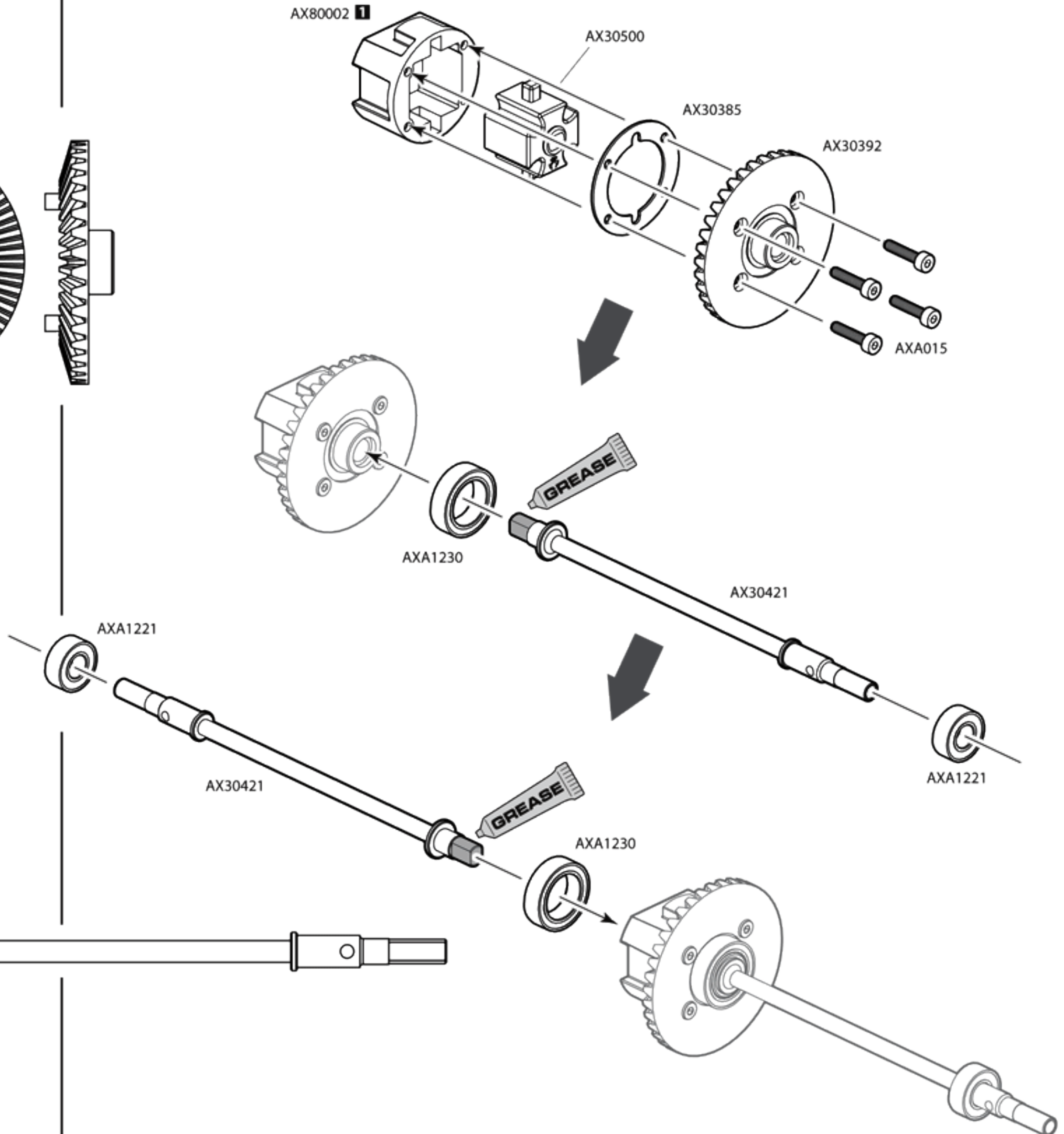


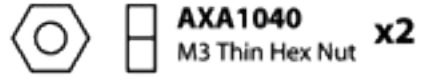
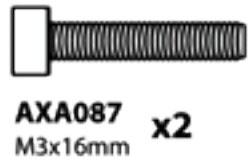
Option Parts

AX30395
Heavy Duty Bevel Gear Set



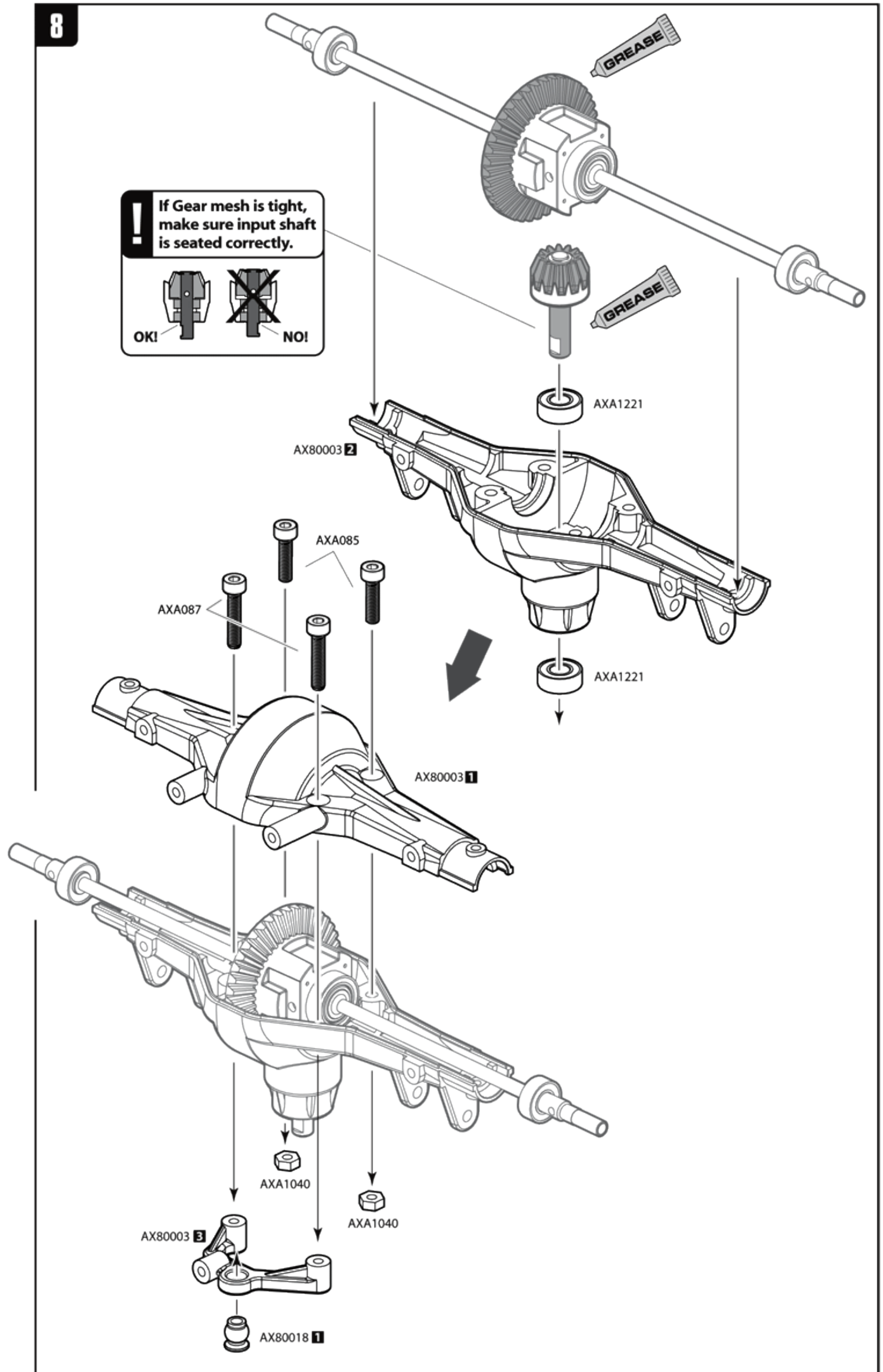
7





! If Gear mesh is tight, make sure input shaft is seated correctly.

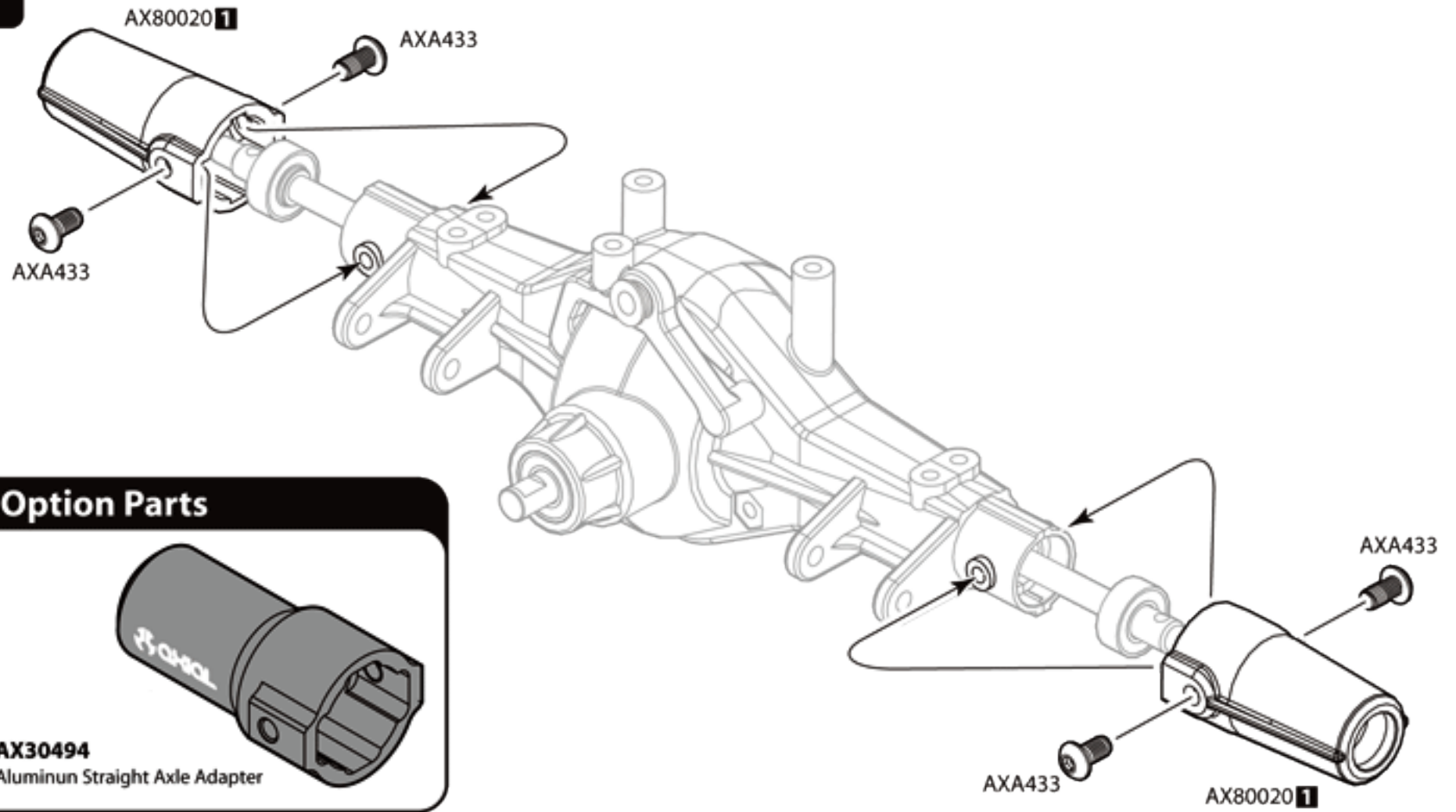
OK! **NO!**



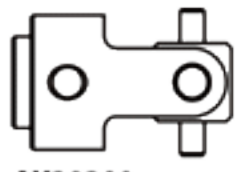


AXA433
M3x6mm Hex Socket Tapping Button Head **x4**

9



B Open Bag B



AX30380
Metal Driveshaft Yoke **x4**

10

Option Parts

AX30501
Driveshaft ring w/setscrews

Option Parts

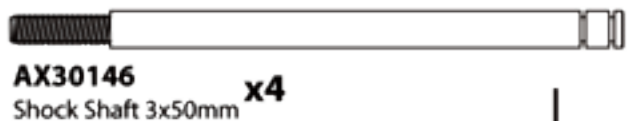
AX30115
10mm Aluminum Preload Collar

AXA1392 **x8**
E2 e-clip

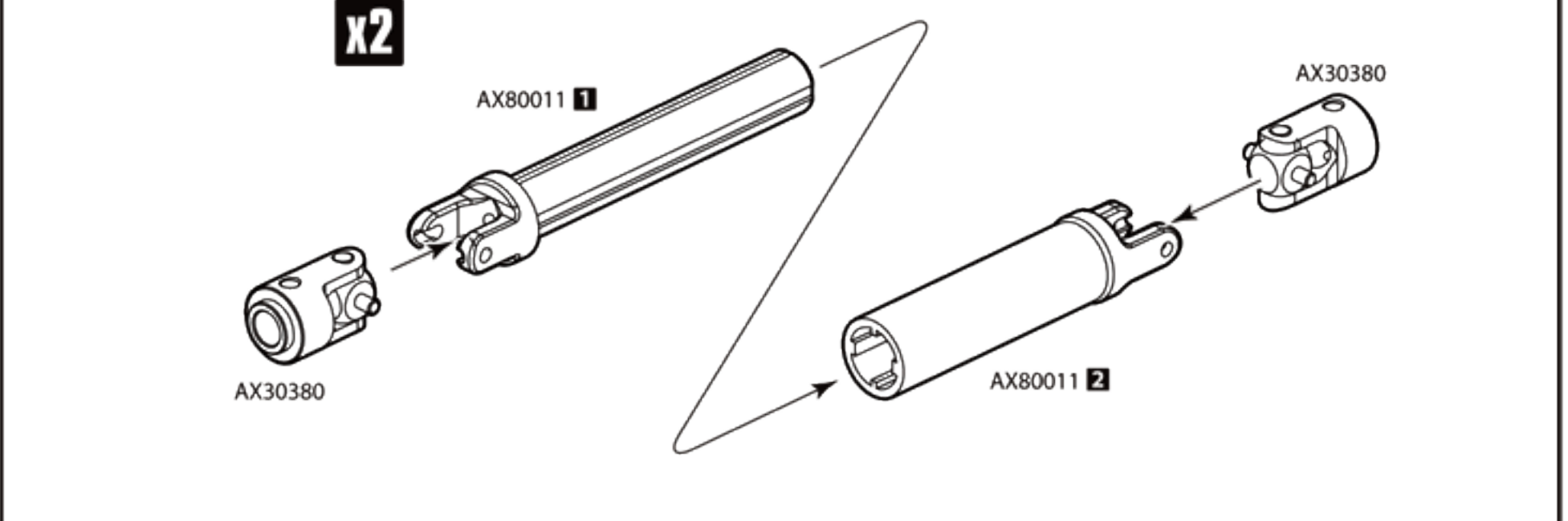
AXA1179 **x8**
O-Ring 2.5x1.5mm

AXA1358 **x4**
Shock Damper 3x7x8

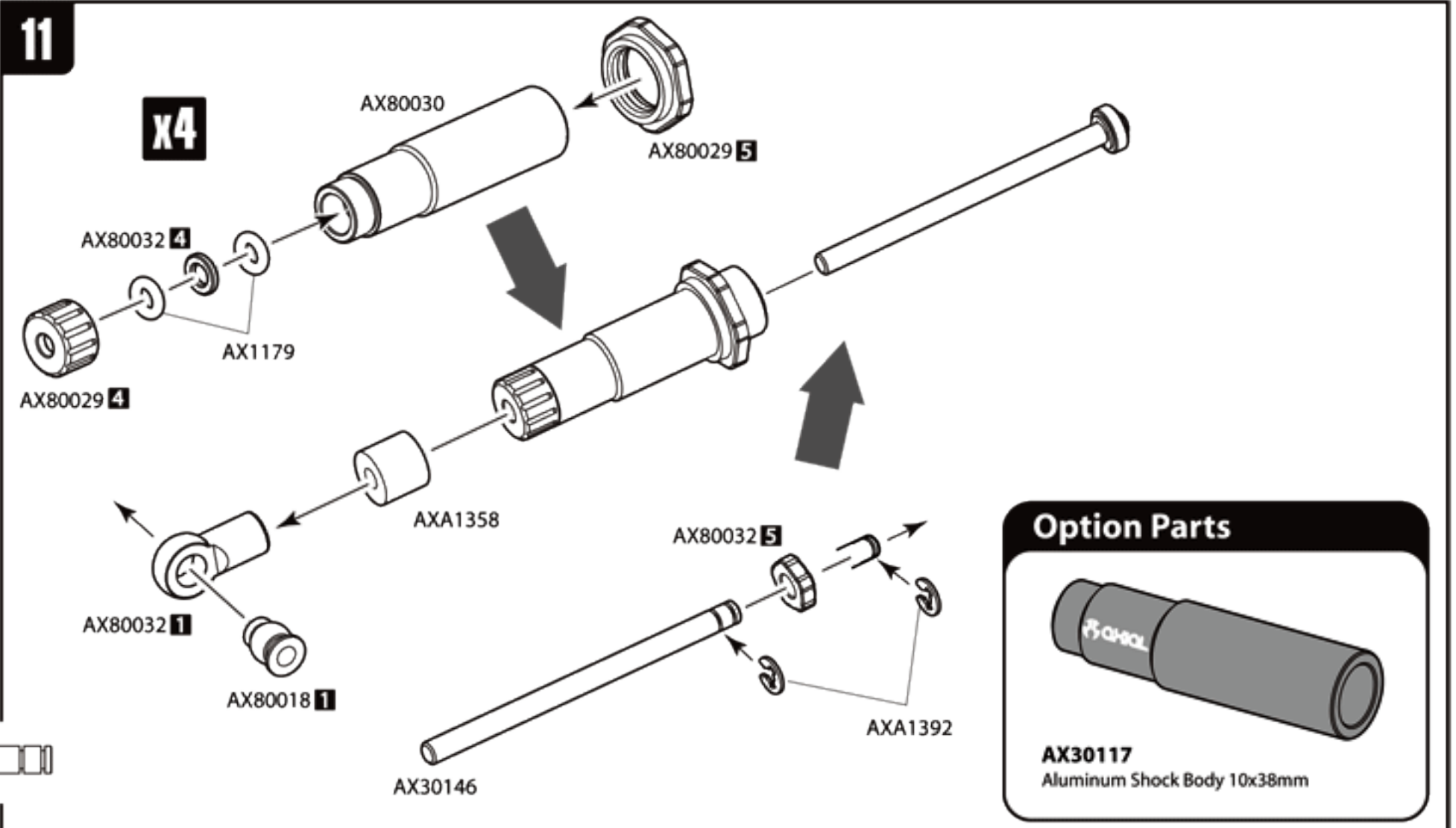
AX30146 **x4**
Shock Shaft 3x50mm



x2



11

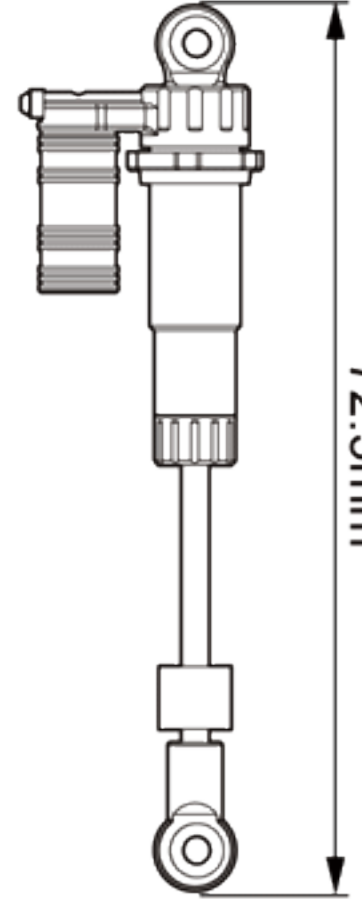
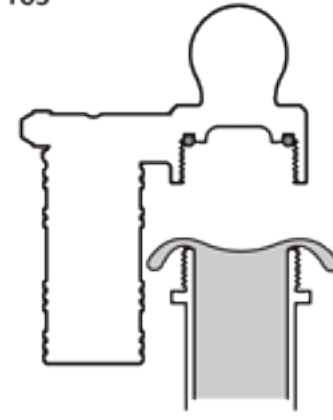
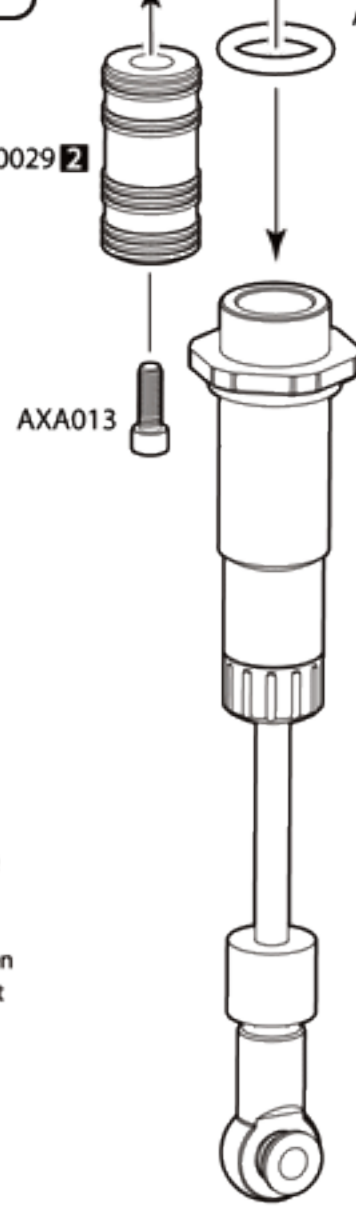
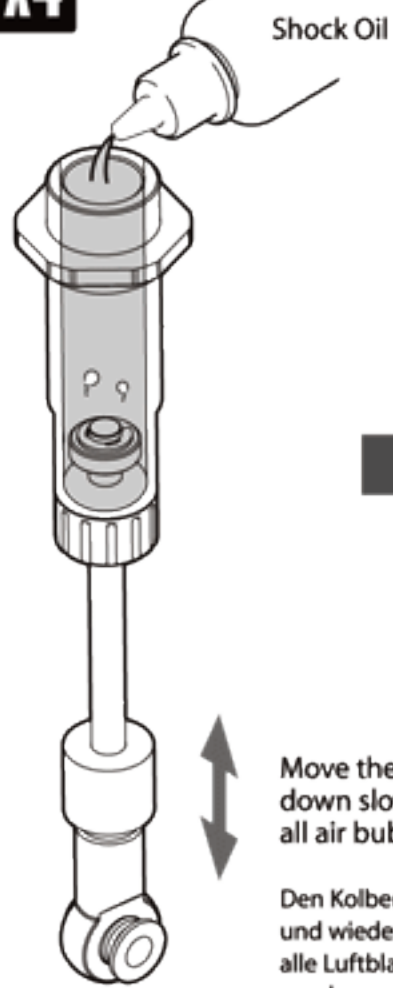




12

! Make sure O-ring is fully seated inside plastic cap.

x4



Move the shaft up and down slowly to remove all air bubbles.

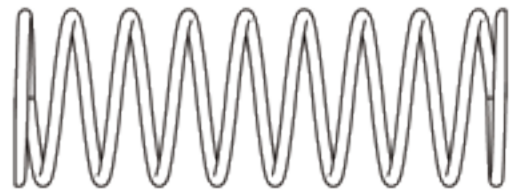
Den Kolben langsam senken und wieder anheben, damit alle Luftblasen entfernt werden.

Option Parts

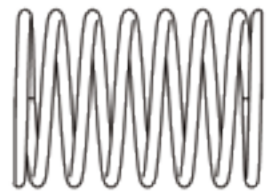


AX30114
Aluminum Shock Reservoir-SCX10

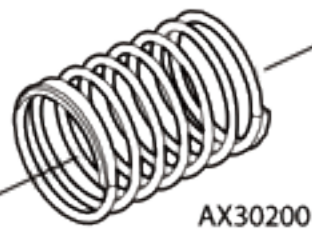
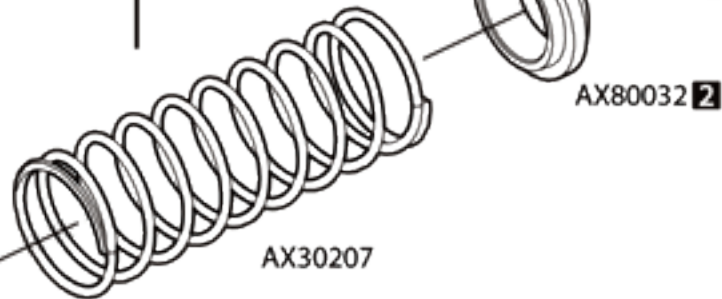
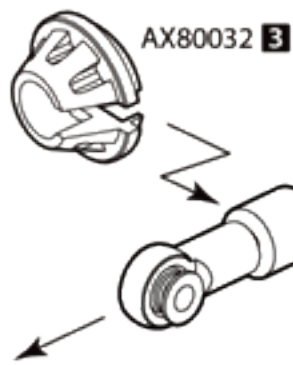
13



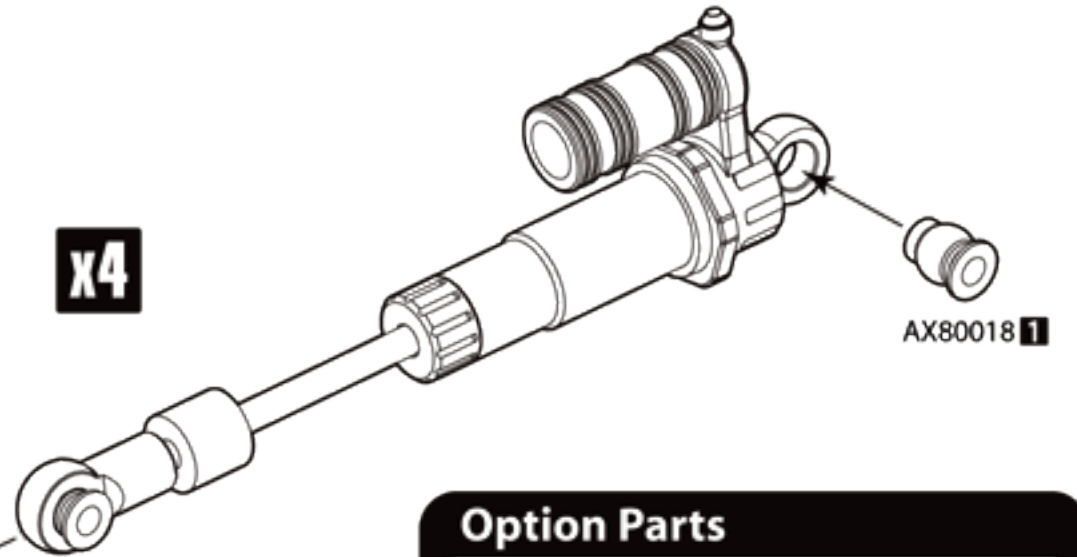
AX30207
Spring 14.5x40mm **x4**



AX30200
Spring 14.5x20mm **x4**



x4



Option Parts



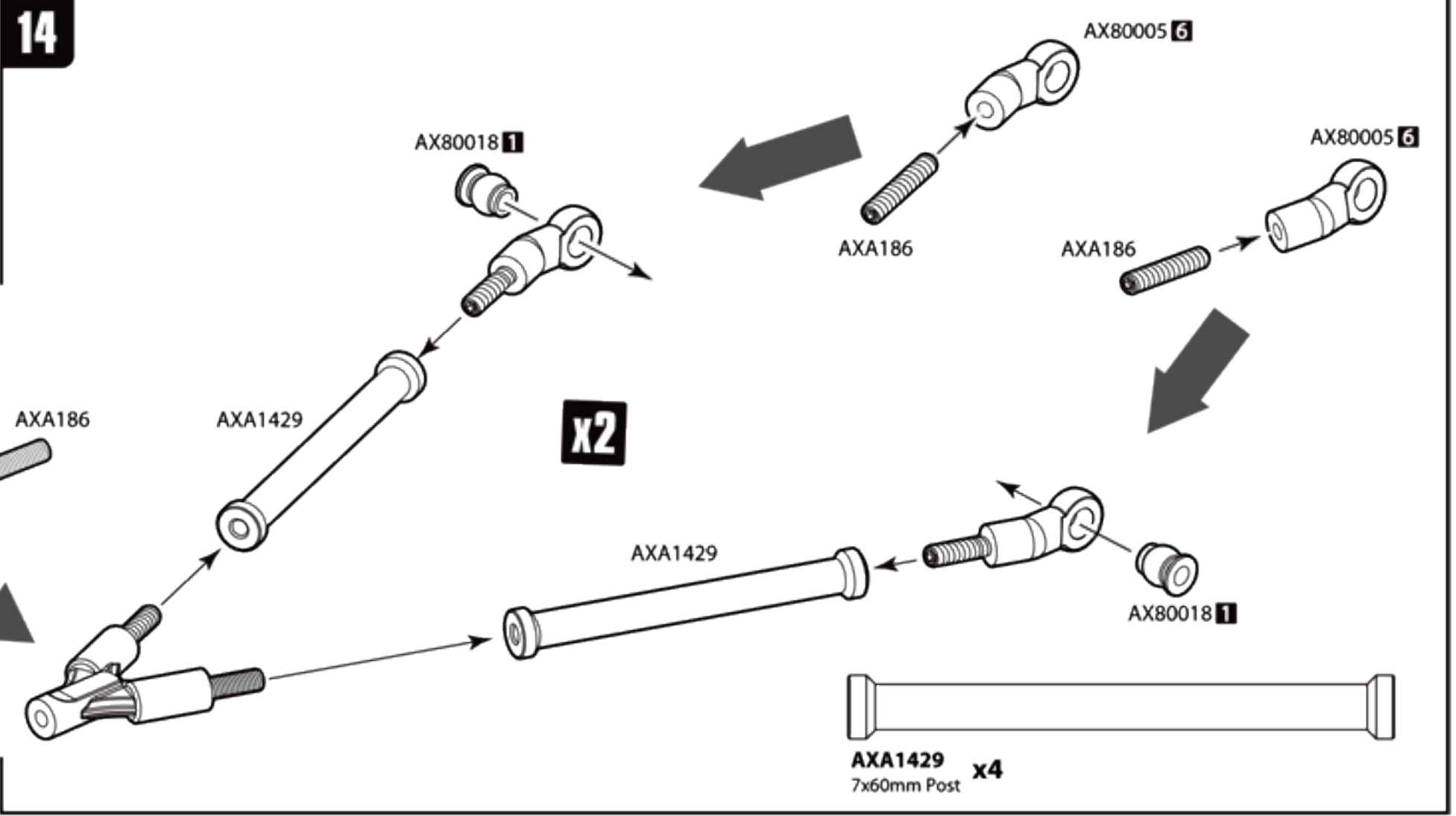
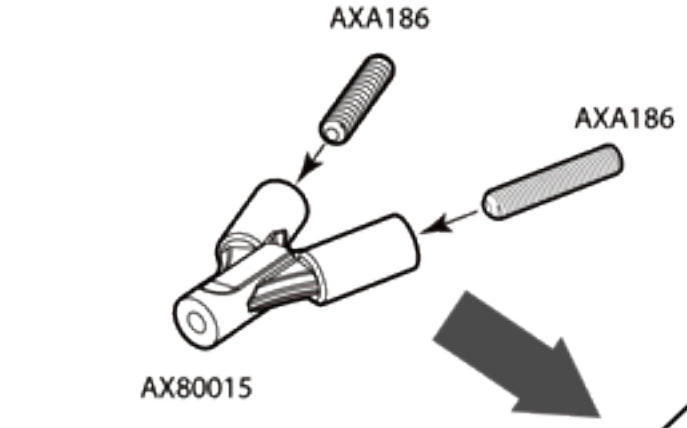
Spring
AX30205 12.5x40mm 2.7 lbs/in - Super Soft (Red)
AX30206 12.5x40mm 3.6 lbs/in - Soft (White)
AX30207 12.5x40mm 4.08 lbs/in - Medium (Green)
AX30208 12.5x40mm 5.44 lbs/in - Firm (Yellow)
AX30209 12.5x40mm 6.81 lbs/in - Super Firm (Blue)



Spring
AX30200 12.5x20mm 3.6 lbs/in - Super Soft (Red)
AX30201 12.5x20mm 4.32 lbs/in - Soft (White)
AX30202 12.5x20mm 5.44 lbs/in - Medium (Green)
AX30203 12.5x20mm 6.53 lbs/in - Firm (Yellow)
AX30204 12.5x20mm 7.95 lbs/in - Super Firm (Blue)

C Open Bag C

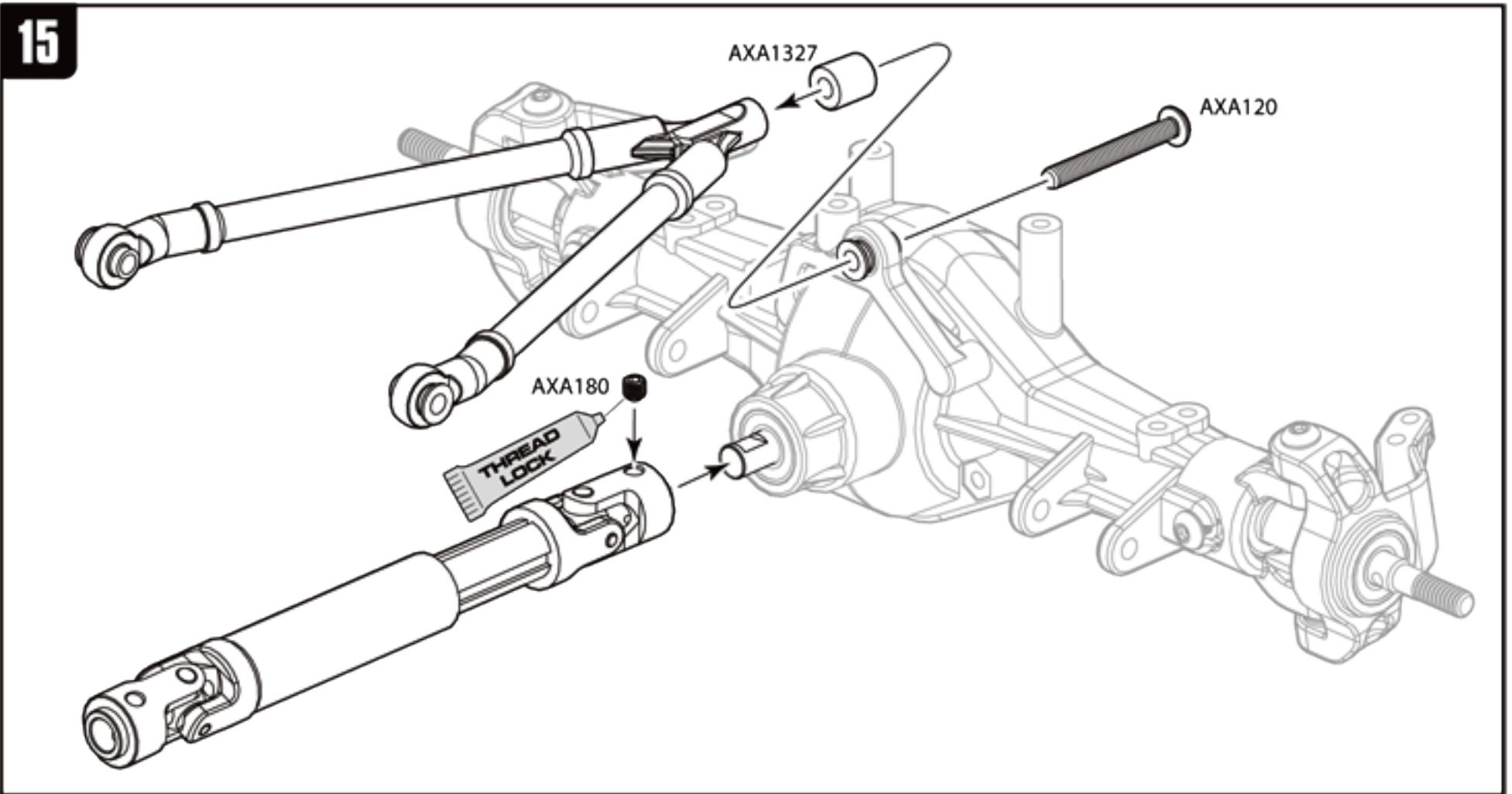
AXA186
3x16mm Set Screw **x8**



AXA1327 **x1**
7.5x6mm

AXA180 **x1**
M3x3mm Set Screw

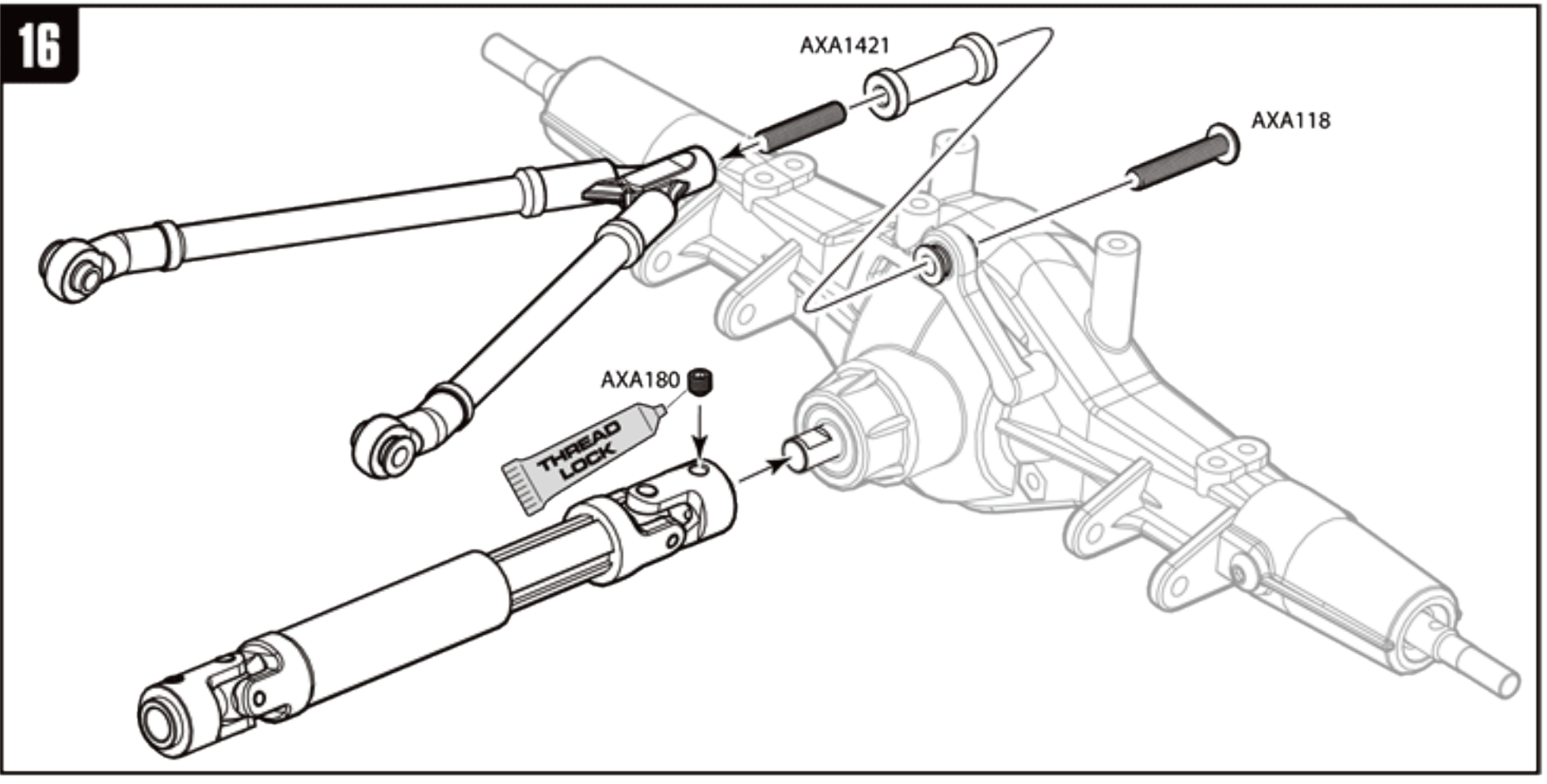
AXA120 **x1**
M3x25mm Hex Socket Button Head



AXA1421 **x1**
7x20mm Post - Grey

AXA180 **x1**
M3x3mm Set Screw

AXA118 **x1**
M3x18mm Hex Socket Button Head





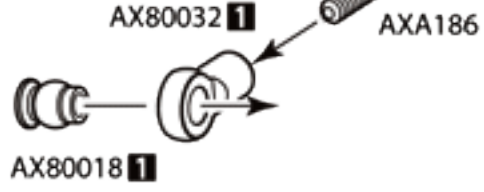
AXA089 x2
M3x25mm



AXA186 x4
3x16mm Set Screw

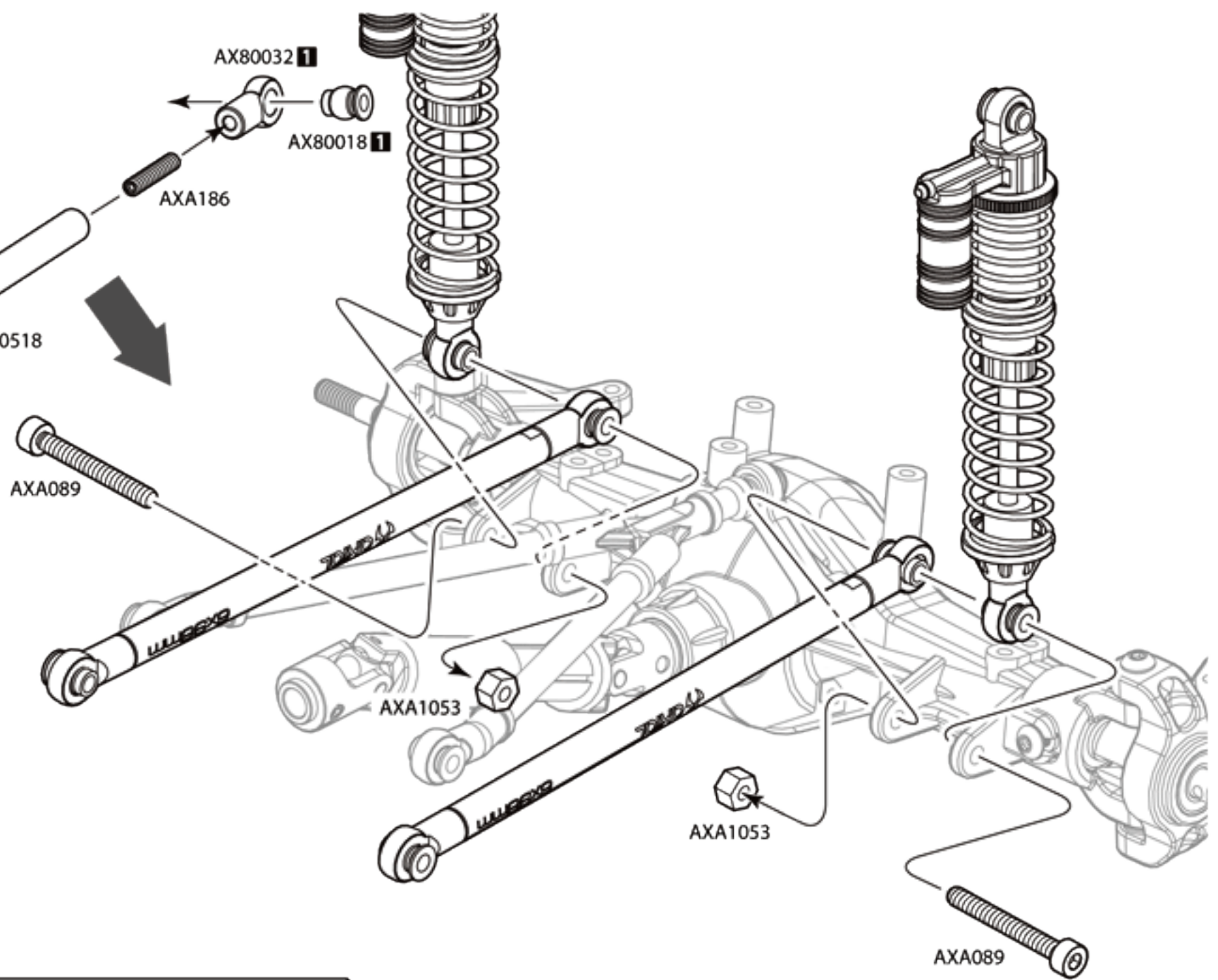


AXA1053 x2
M3 Nylon Locking Hex Nut



x2

17



AXIAL 6x98mm

AX30518 x2
Threaded Aluminum Pipe 6x98mm



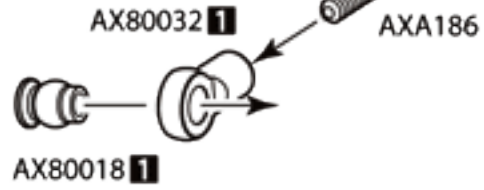
AXA089 x2
M3x25mm



AXA186 x4
3x16mm Set Screw

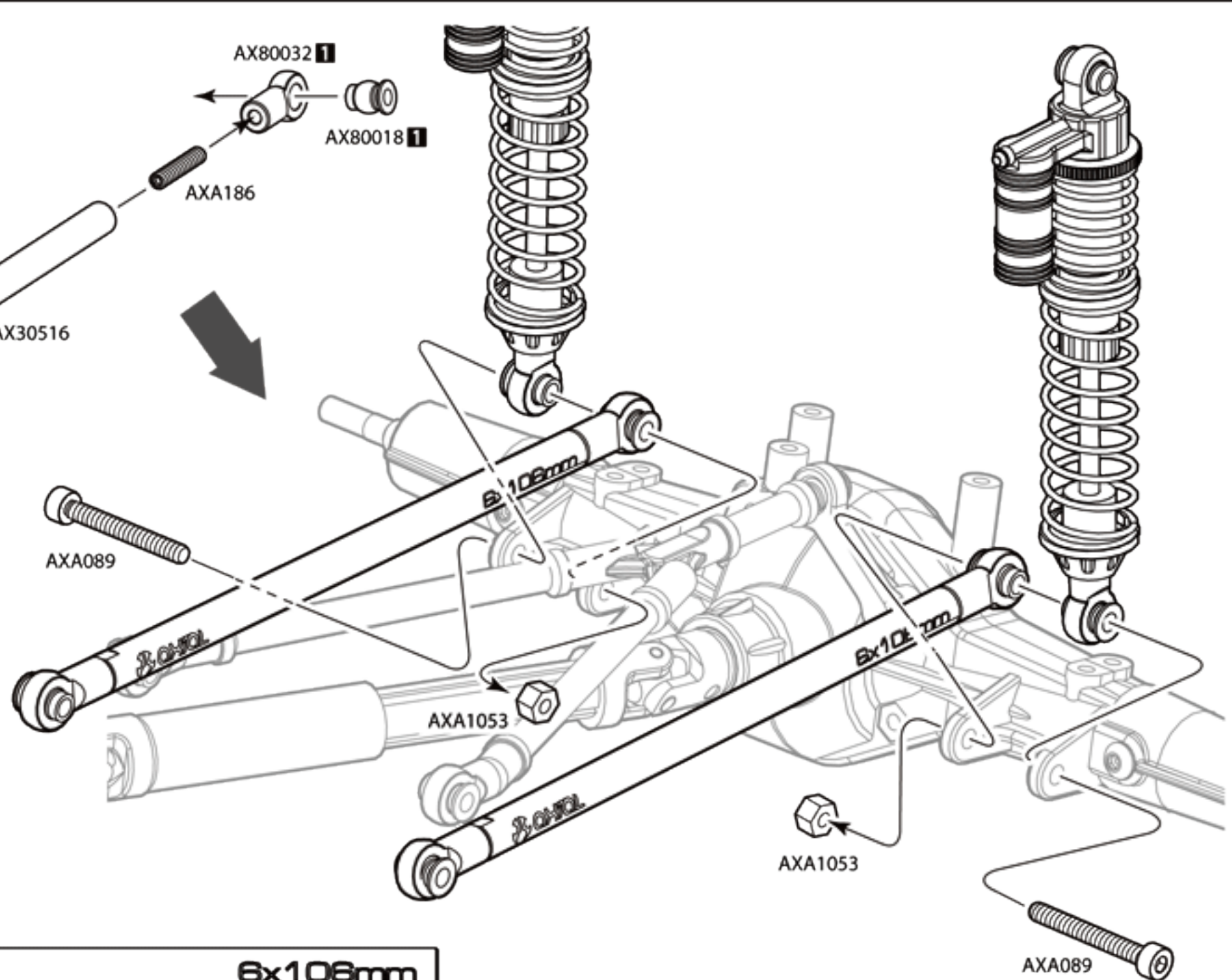


AXA1053 x2
M3 Nylon Locking Hex Nut



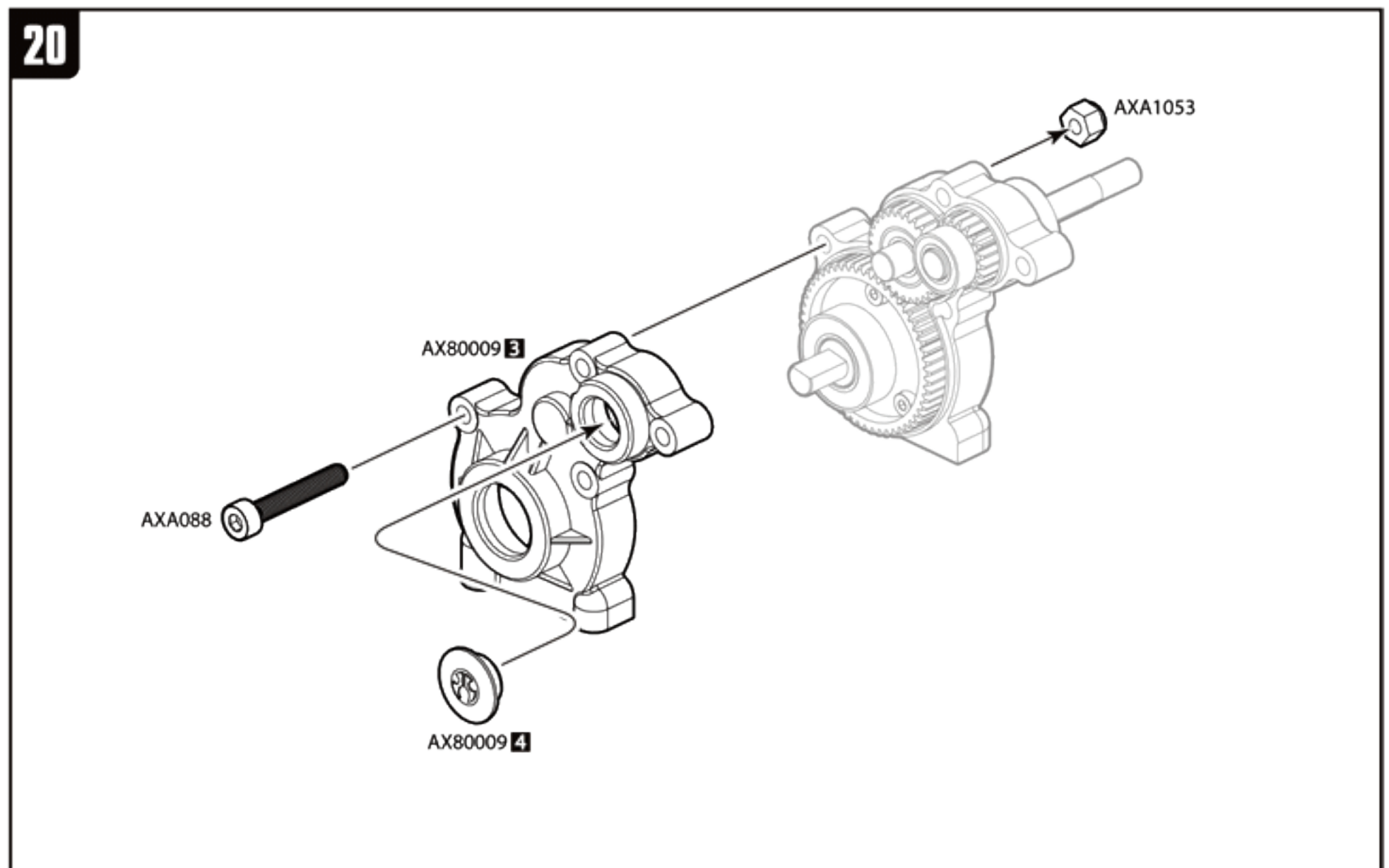
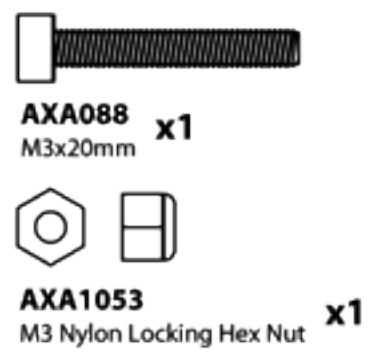
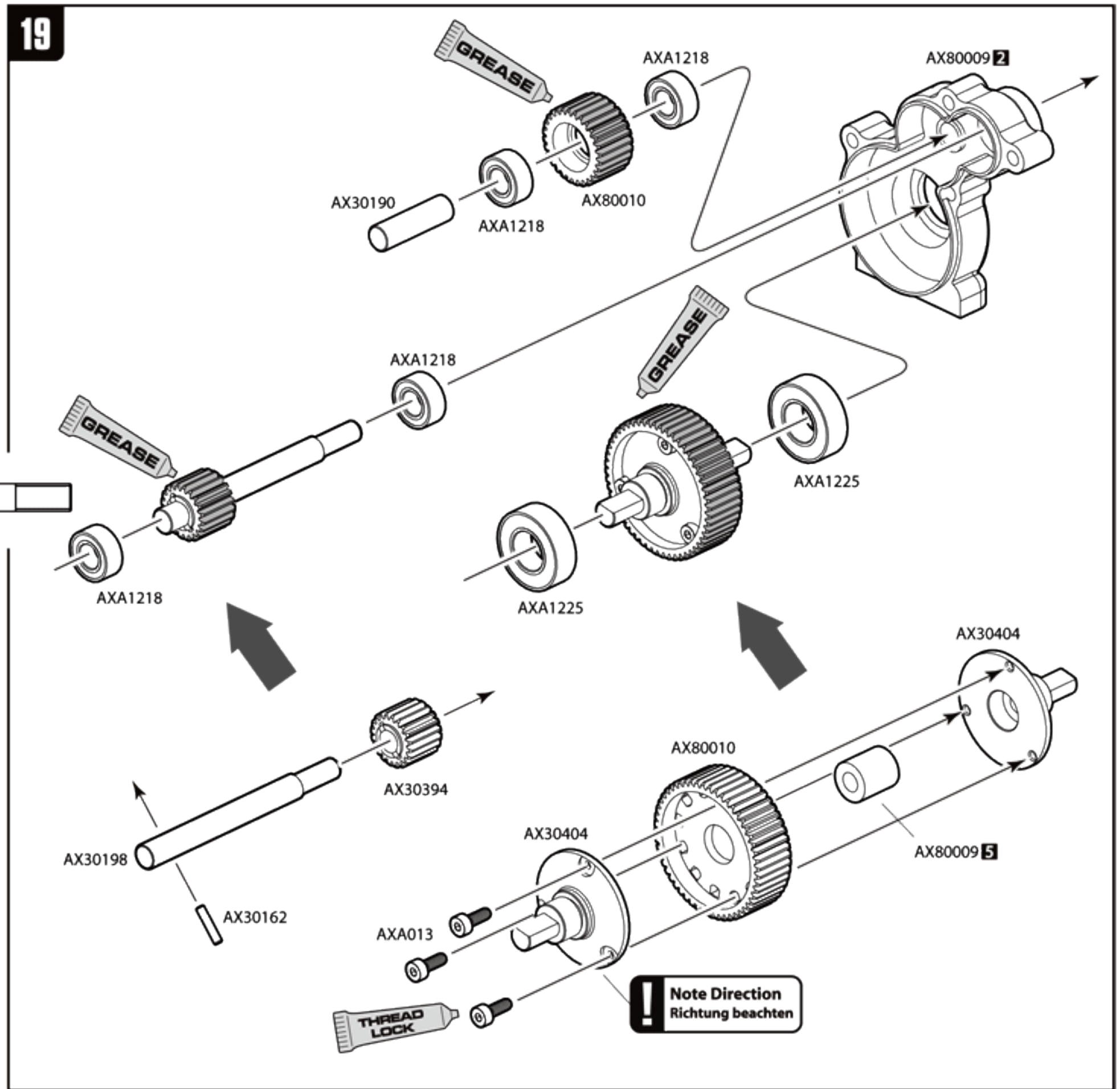
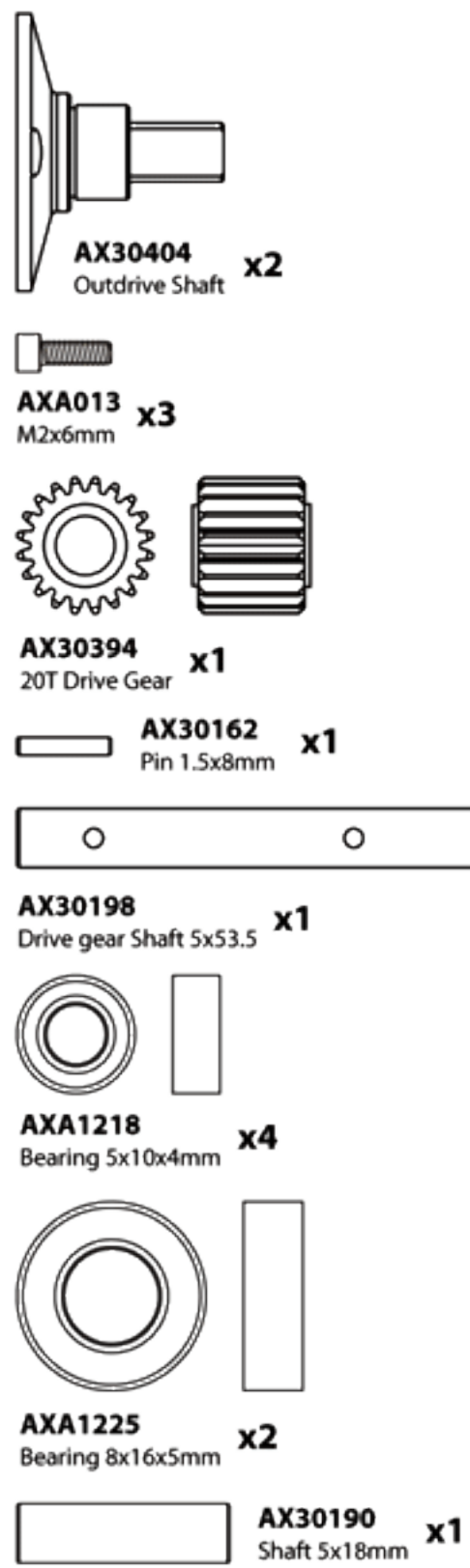
x2

18



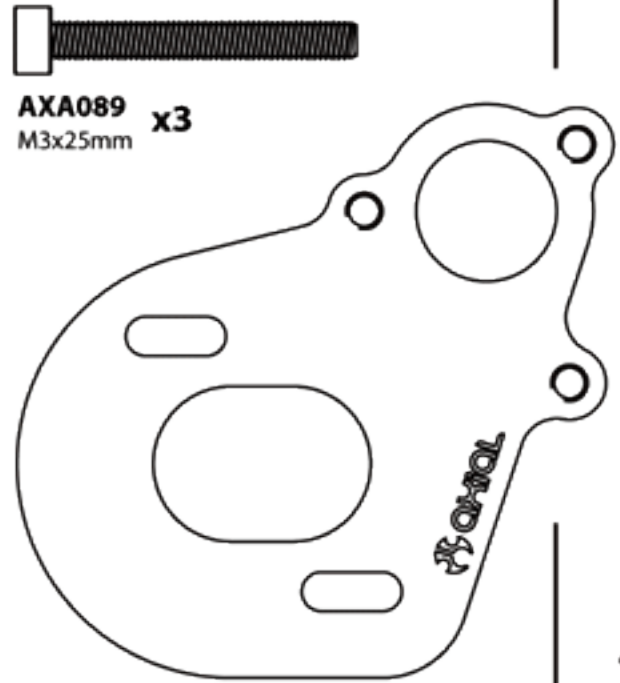
AXIAL 6x106mm

AX30516 x2
Threaded Aluminum Pipe 6x106mm

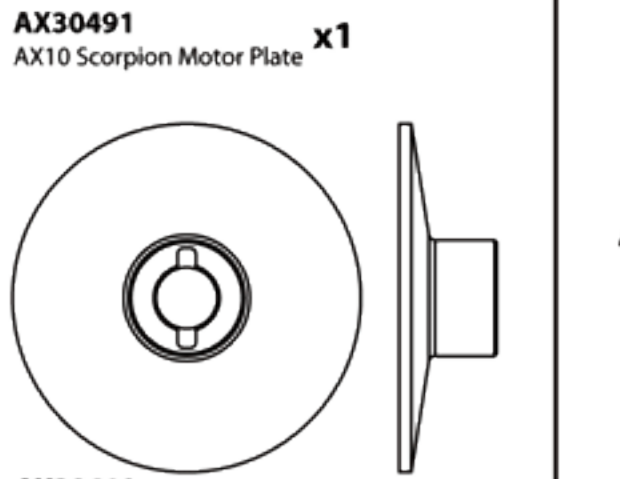


I Open Bag D

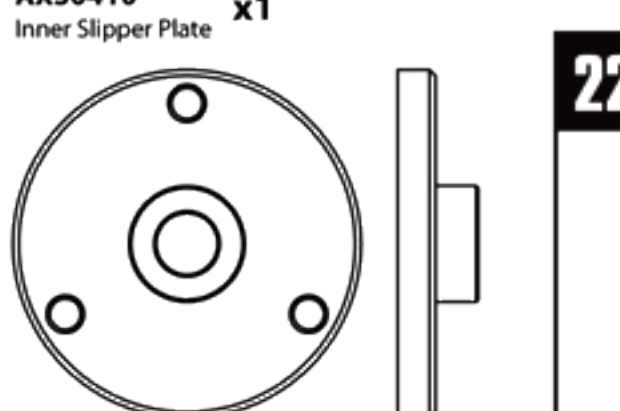
21



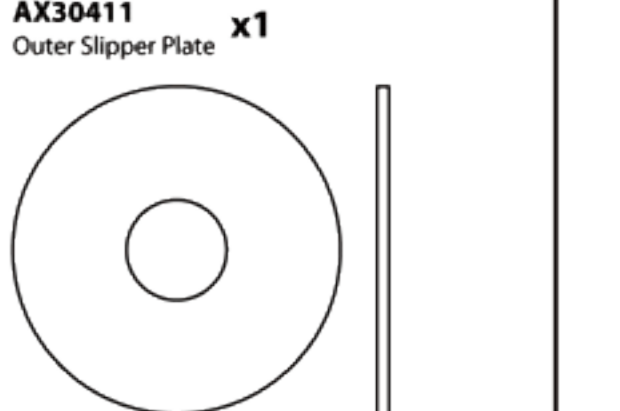
AXA089 x3
M3x25mm



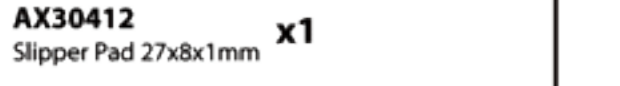
AX30491 x1
AX10 Scorpion Motor Plate



AX30410 x1
Inner Slipper Plate



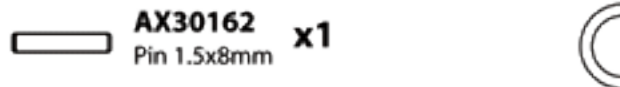
AX30411 x1
Outer Slipper Plate



AX30412 x1
Slipper Pad 27x8x1mm



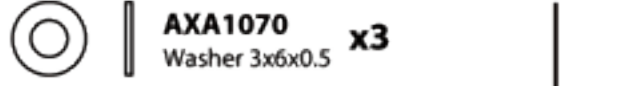
AX30413 x1
Spring 8.5x12



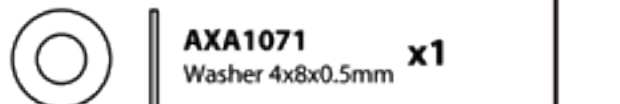
AX30162 x1
Pin 1.5x8mm



AX1045 x1
M4 Nylon Lock Nut



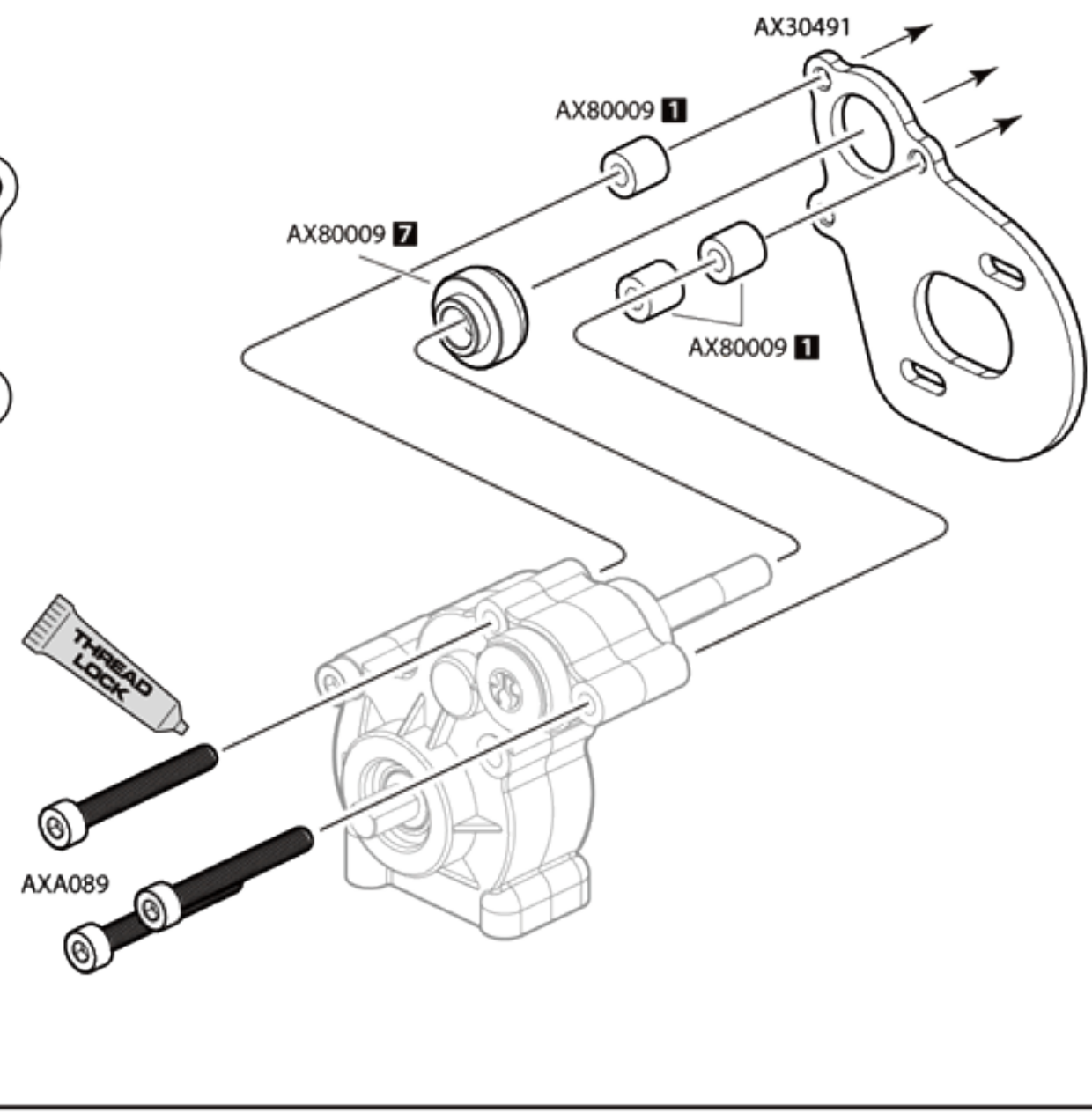
AXA1070 x3
Washer 3x6x0.5



AXA1071 x1
Washer 4x8x0.5mm



AXA1091 x1
Washer 5x10x0.5mm



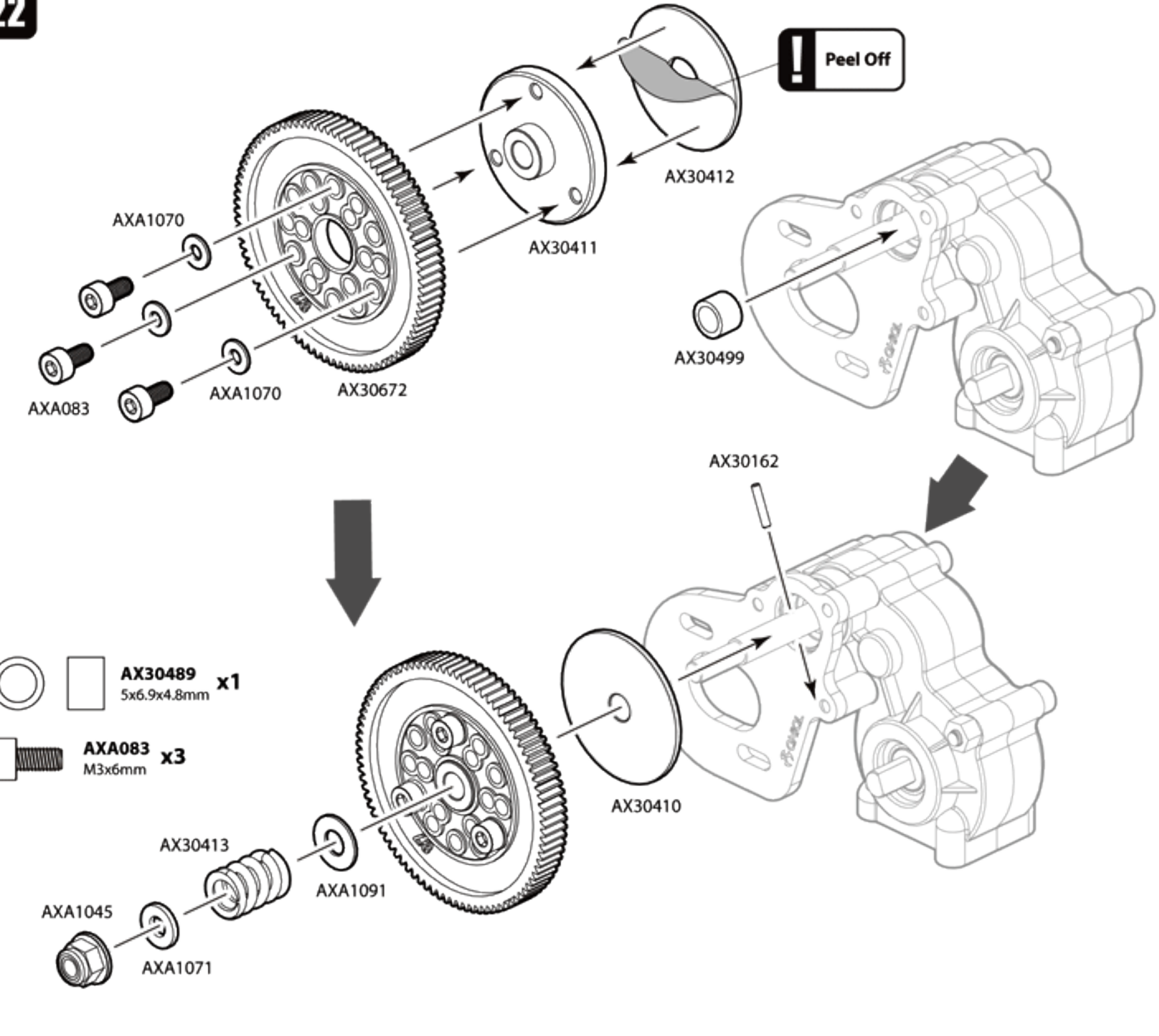
Option Parts

AX30482
AX10 Scorpion Motor Plate

AXA1327 x3
7.5x6mm Spacer

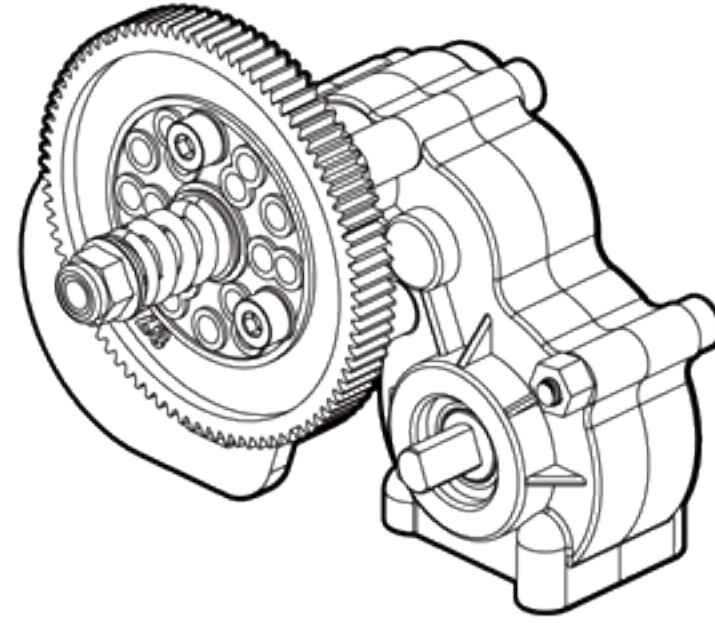
AX30499 x1
Transmission Spacer

22



Peel Off



23**Slipper Clutch Setup**

To set the slipper clutch, tighten the nut (⌚ Clockwise) until it stops then loosen it 2 turns (⌚ Counter clockwise). The spur gear should slip when firm pressure is applied. Do not overtighten the slipper clutch, damage may occur to the drivetrain.

Testing the slipper clutch

1. Hold the tires
2. Use your fingers to rotate the spur gear

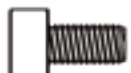
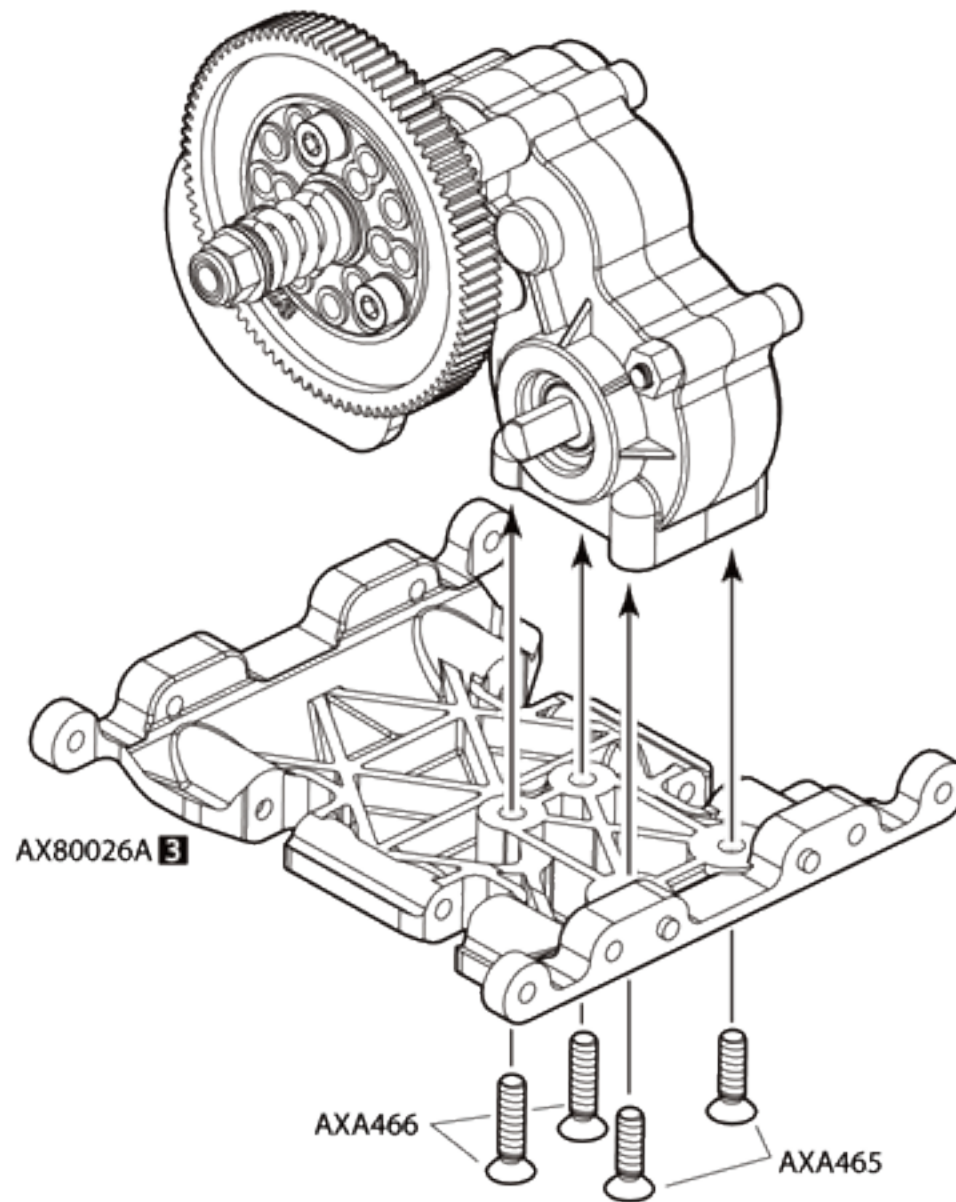
Note: The spur gear should slip when firm pressure is applied. If it does not slip, loosen the nut in 1/2 turn increments



AXA466 x2
M3x12mm Hex Socket Tapping Flat Head



AXA465 x2
M3x10mm Hex Socket Tapping Flat Head

24

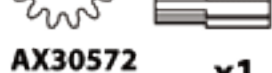
AXA083 x1
M3x6mm



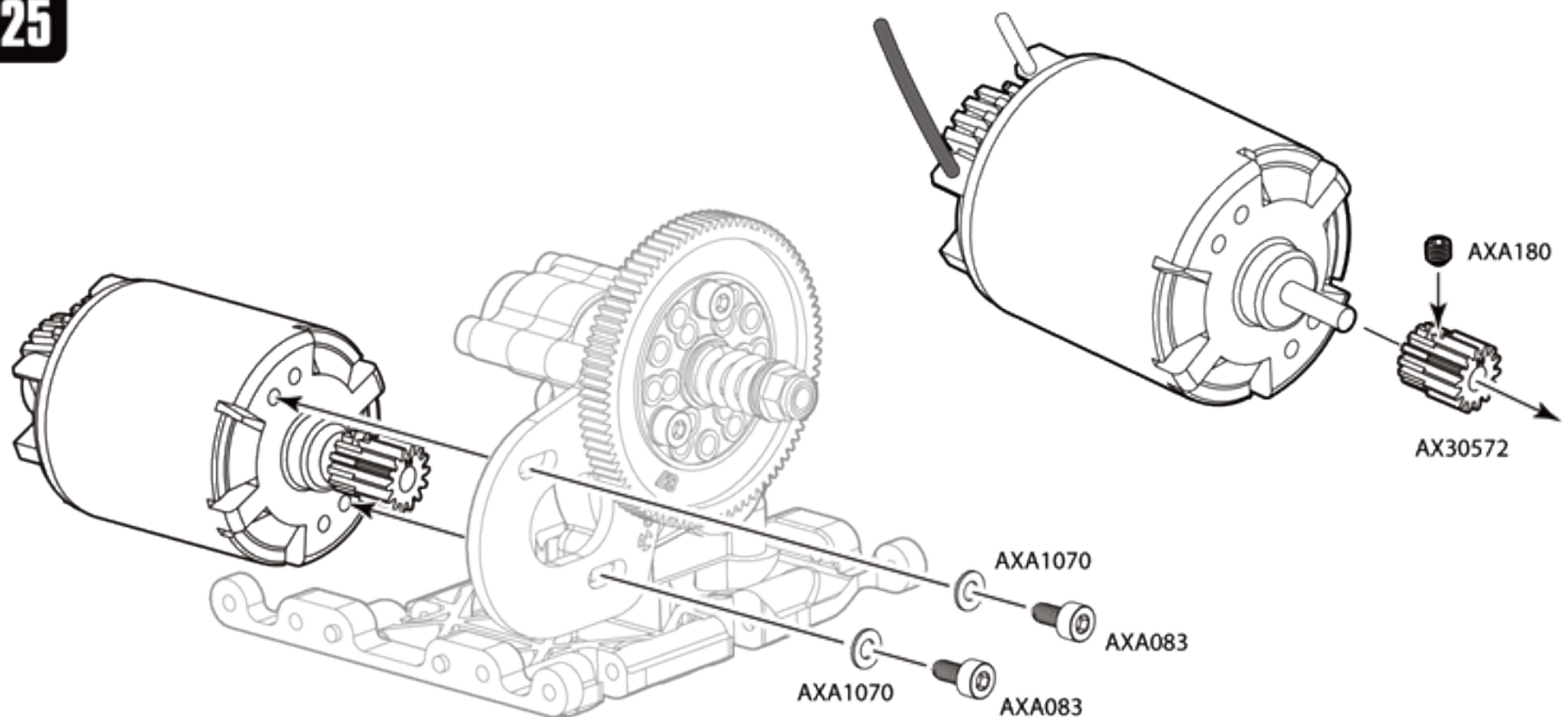
AXA1070 x2
Washer 3x6x0.5mm

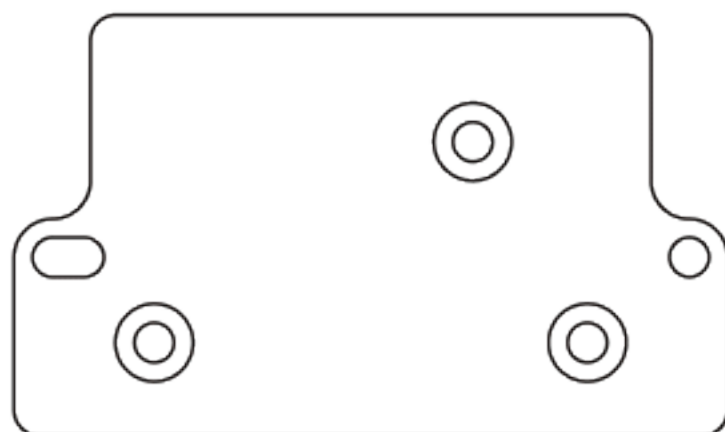
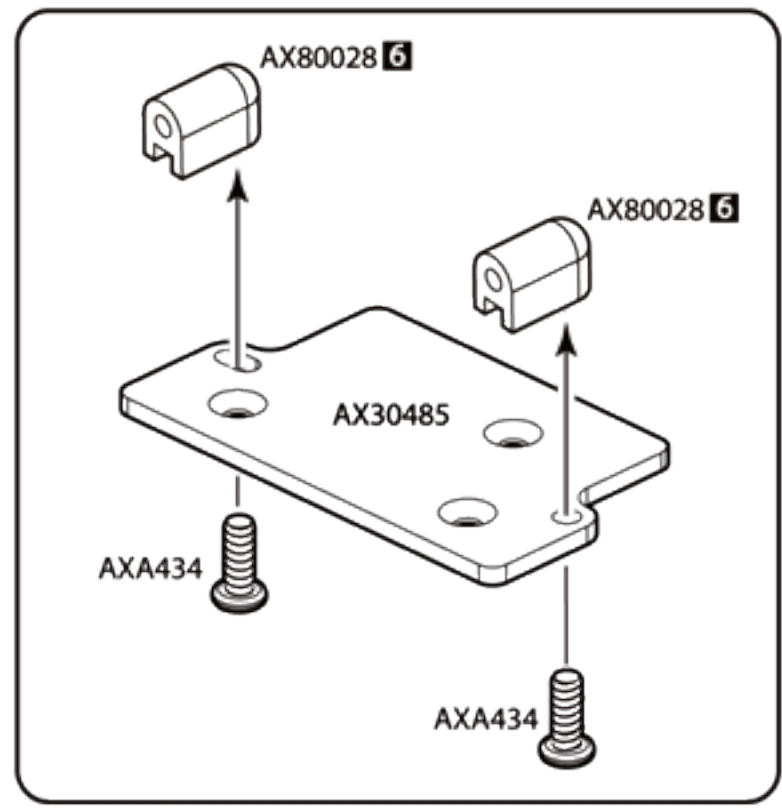
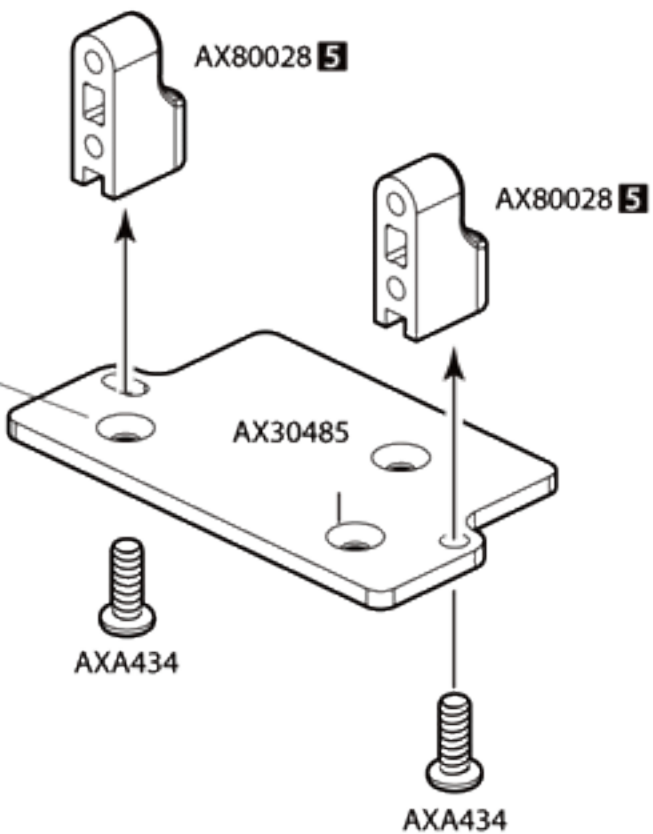
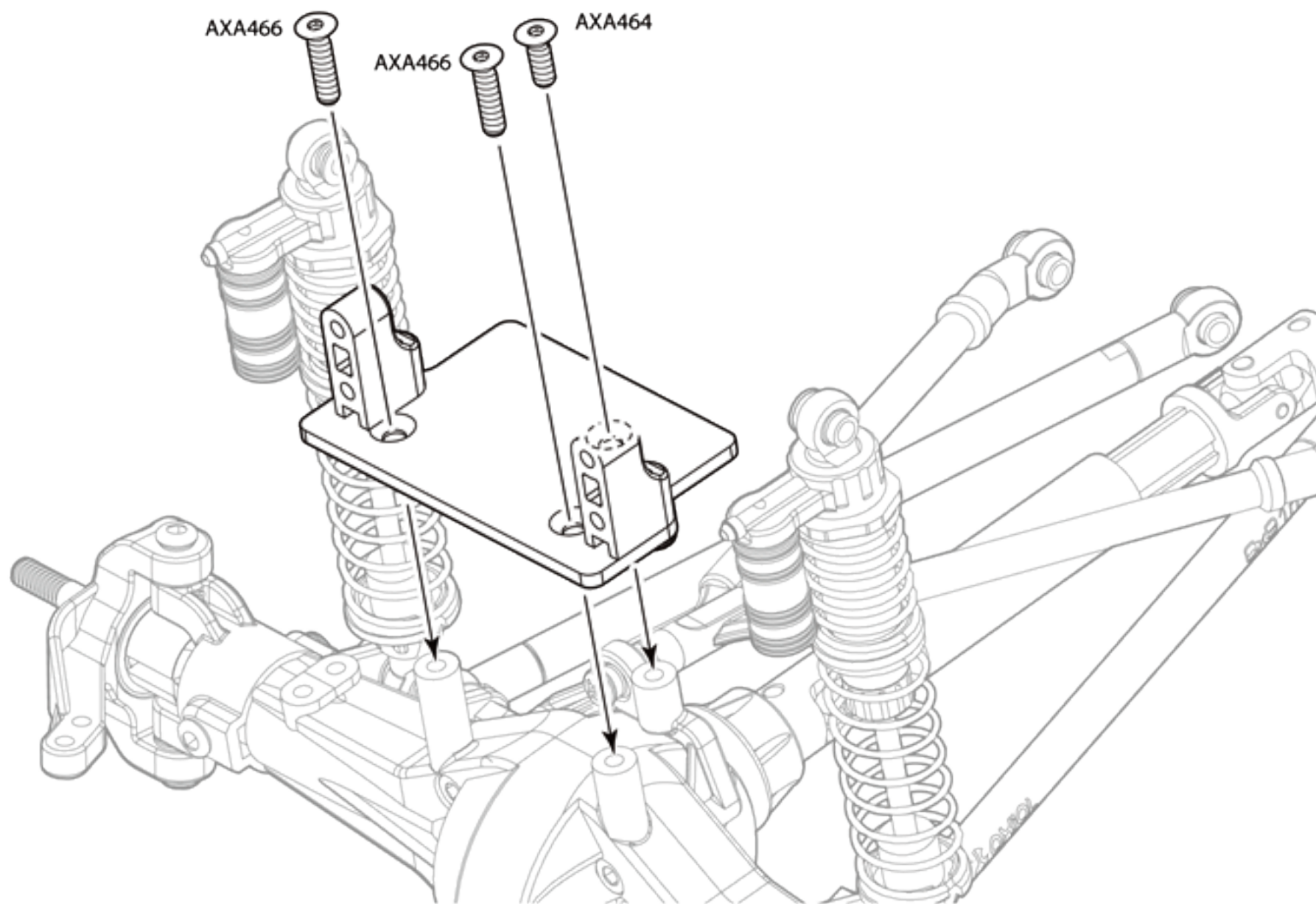


AX30572 x1
Pinion 48DP 14T

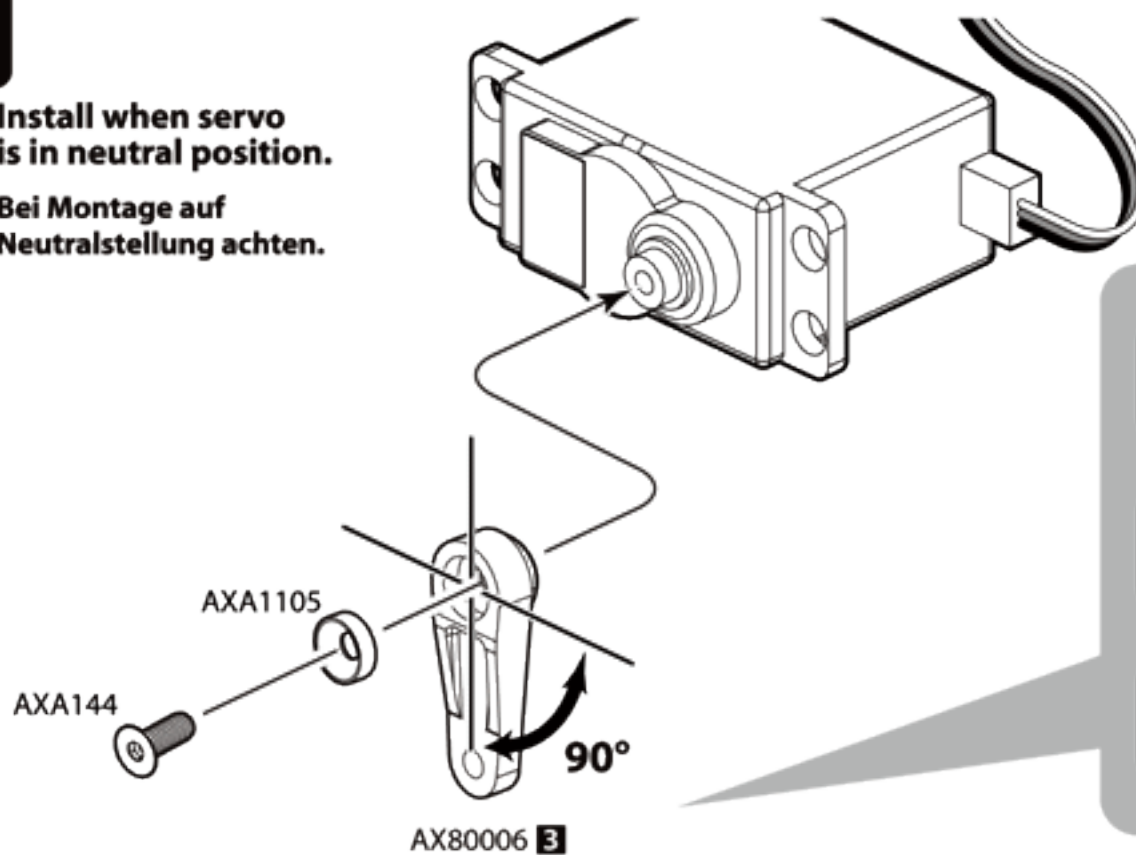


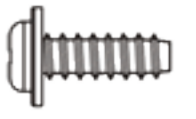
AXA180 x1
M3x3mm Set Screw

25

**AXA434**
M3x8mm Hex Socket Tapping Button Head **x2****AX30485**
AX10 Scorpion Servo Plate **x1****Note Direction**
Richtung beachten**AXA466**
M3x12mm Hex Socket Tapping Flat Head **x2****AXA464**
M3x8mm Hex Socket Tapping Flat Head **x1****AXA144**
M3x8mm Hex Socket Flat Head **x1****AXA1105**
Cone Washer 3x6.9x2 **x1****Install when servo is in neutral position.**

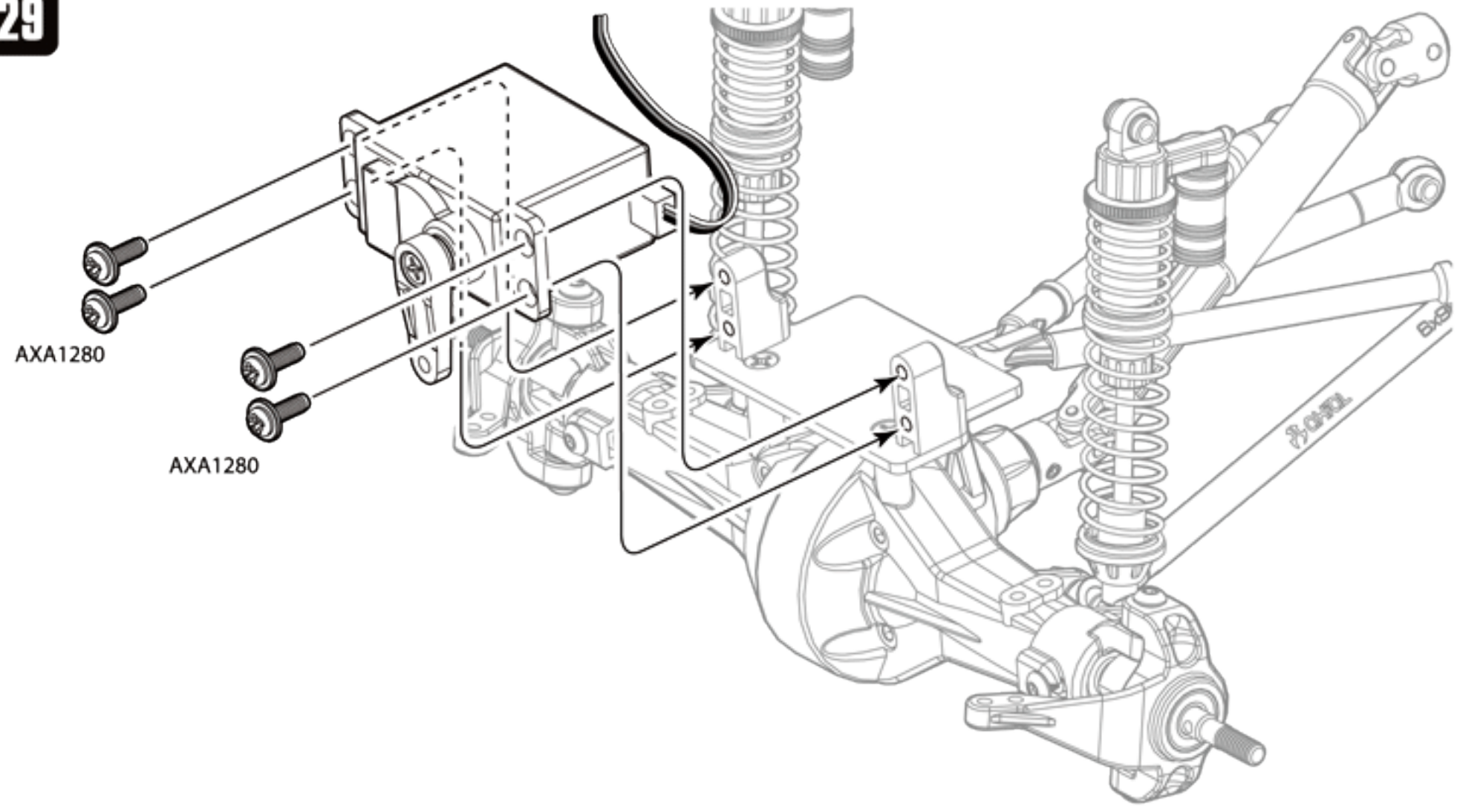
Bei Montage auf Neutralstellung achten.

AX80006 **7**
23 **Airtronics / JR / KO**AX80006 **6**
24 **Hitec**AX80006 **5**
25 **Futaba**



AXA1280 x4
M3x10mm

29

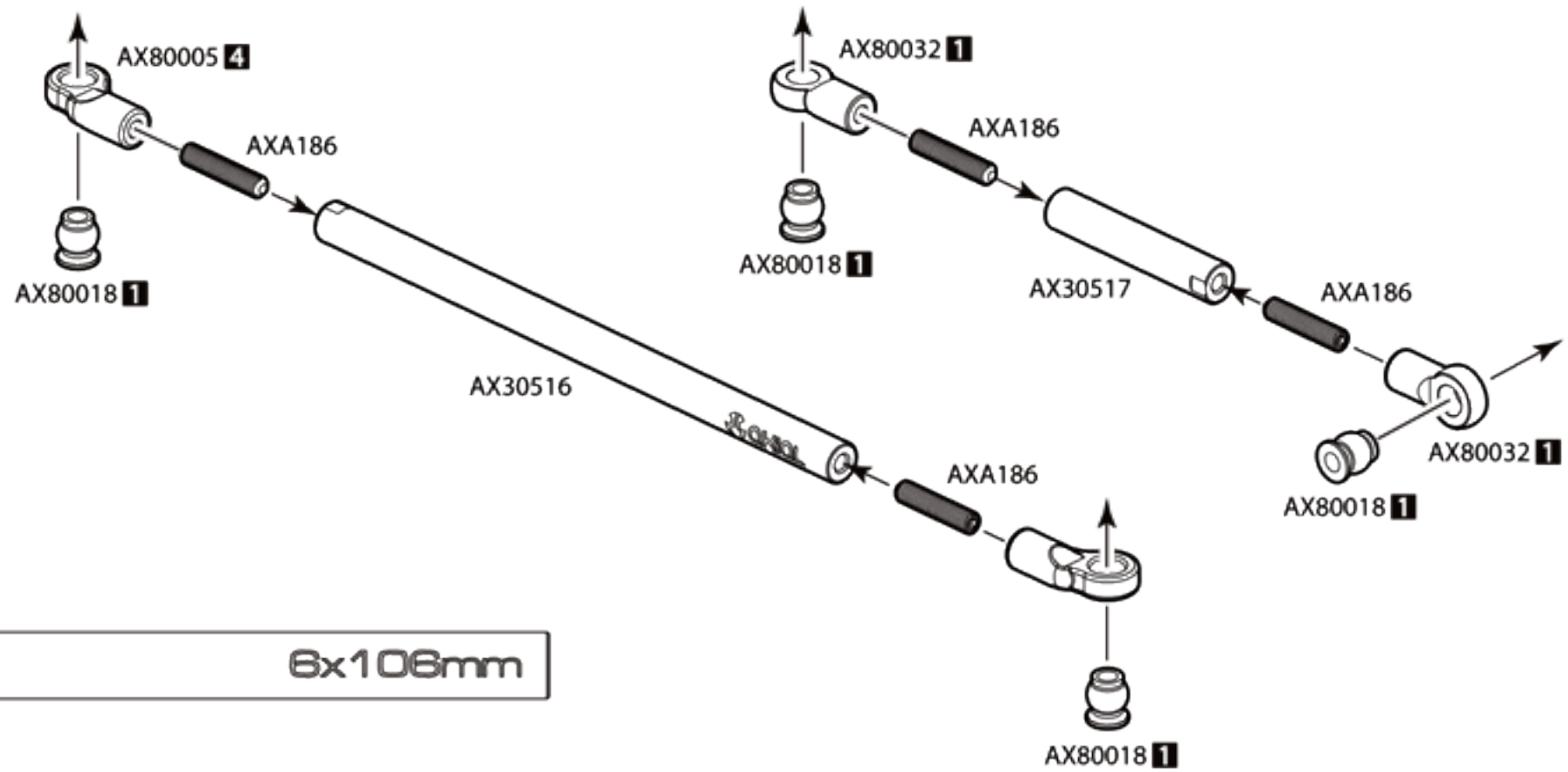


AXA186 x4
3x16mm Set Screw



AX30517 x1
6x33mm

30



6x106mm

AX30516 x1
6x106mm



AXA117 x1
M3x15mm Hex Socket Button Head



AXA118 x1
M3x18mm Hex Socket Button Head



AXA120 x1
M3x25mm Hex Socket Button Head

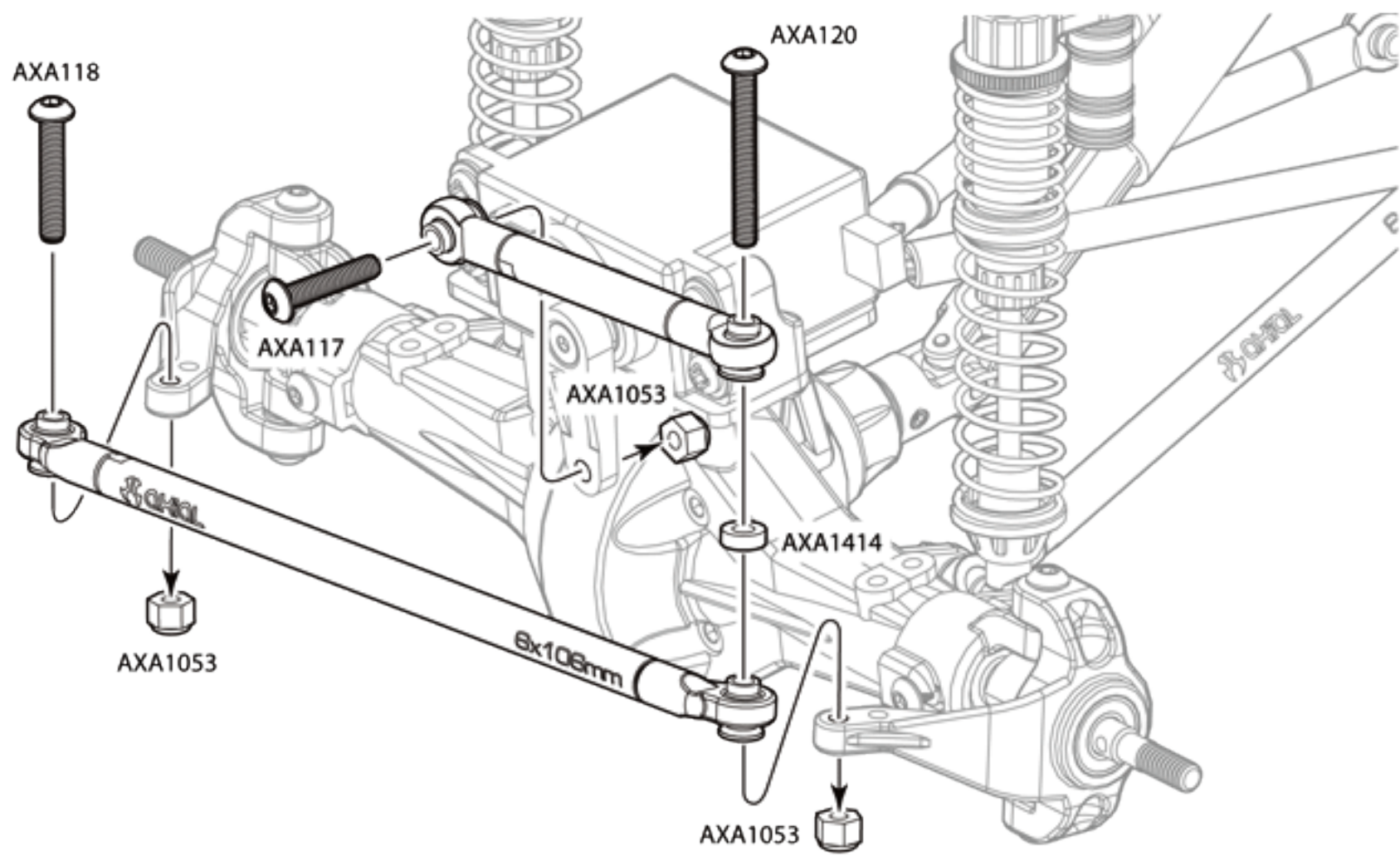


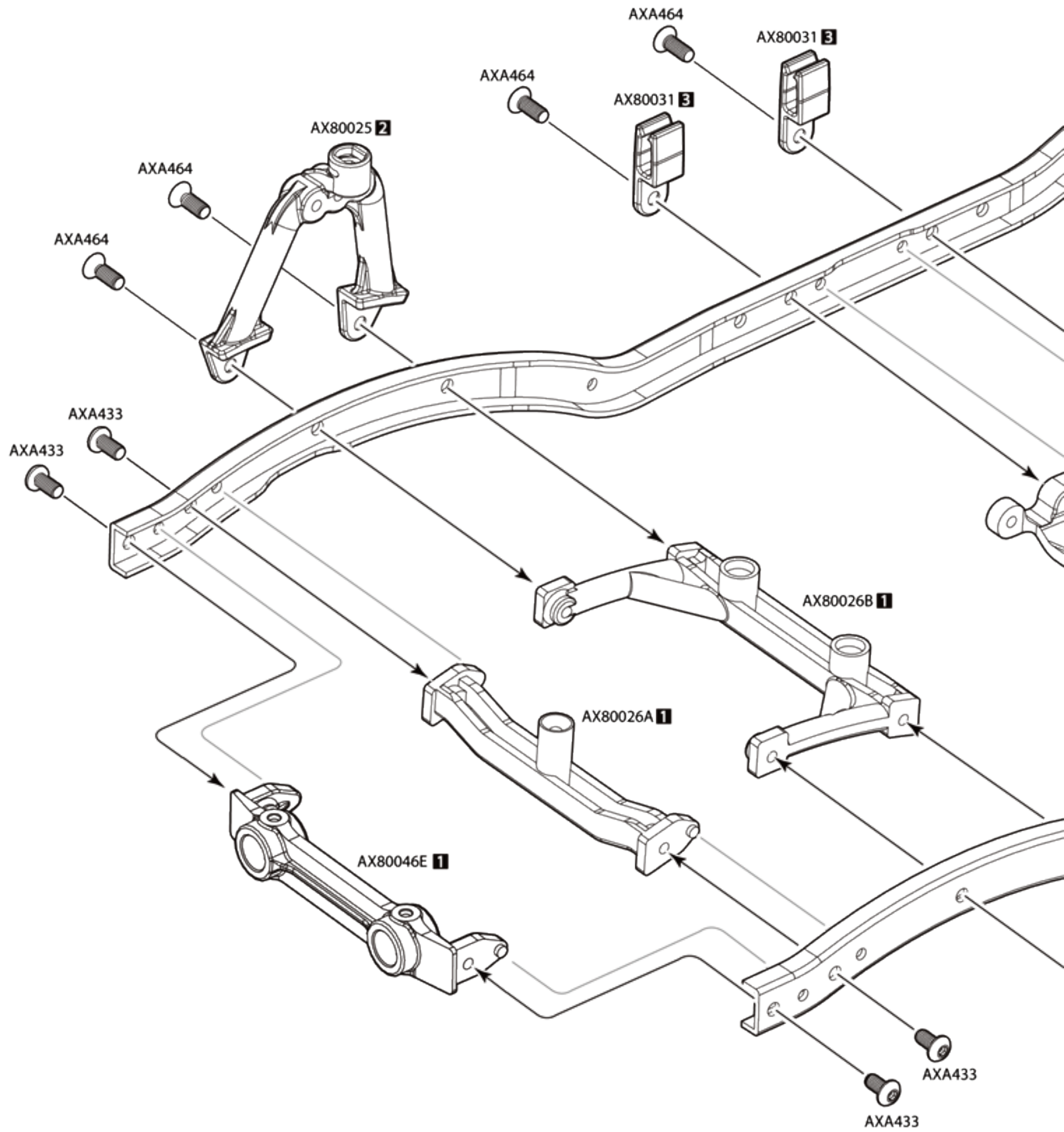
AXA1414 x1
6x2x3mm

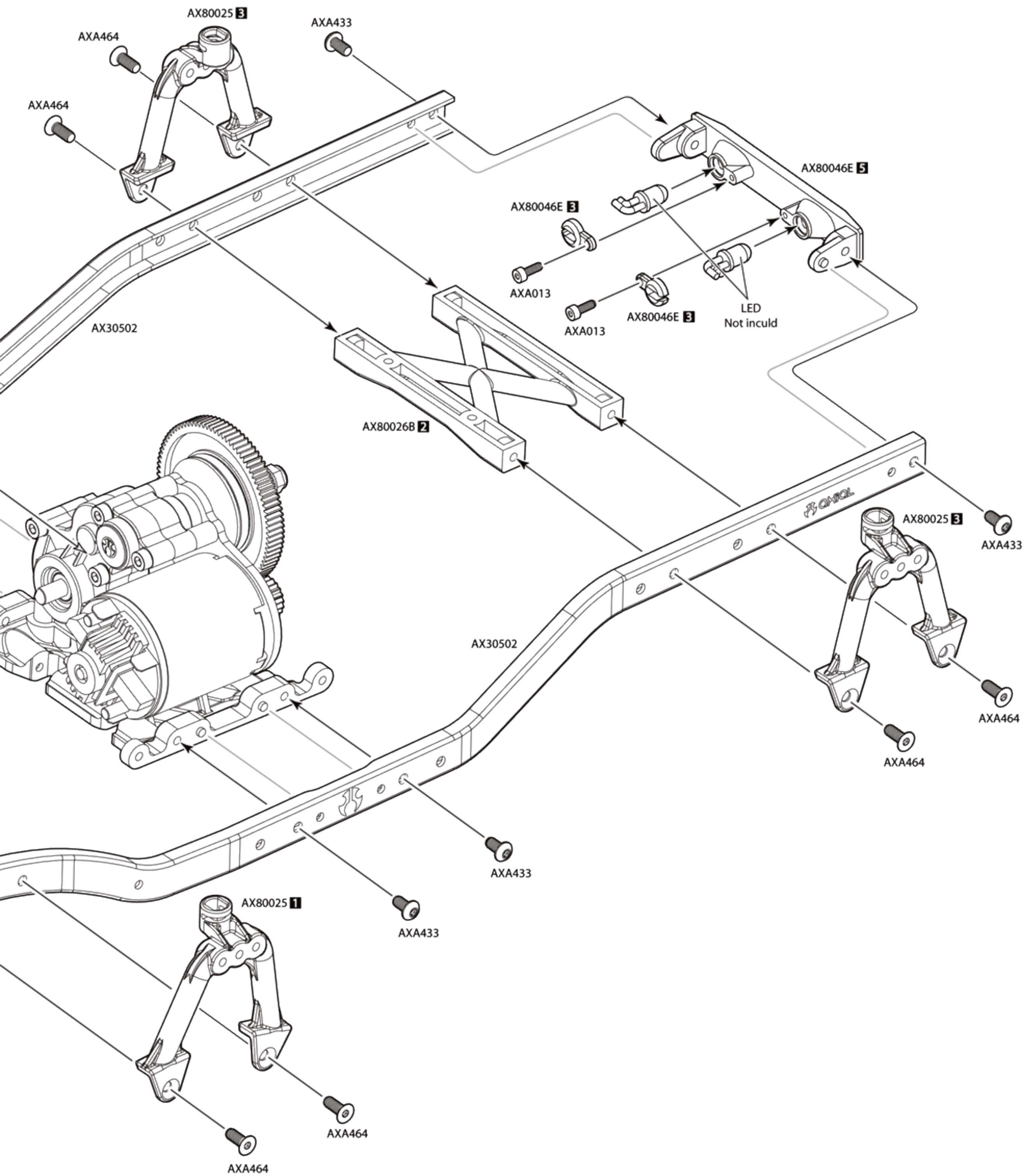






AXA1053 x3
M3 Nylon Locking Hex Nut

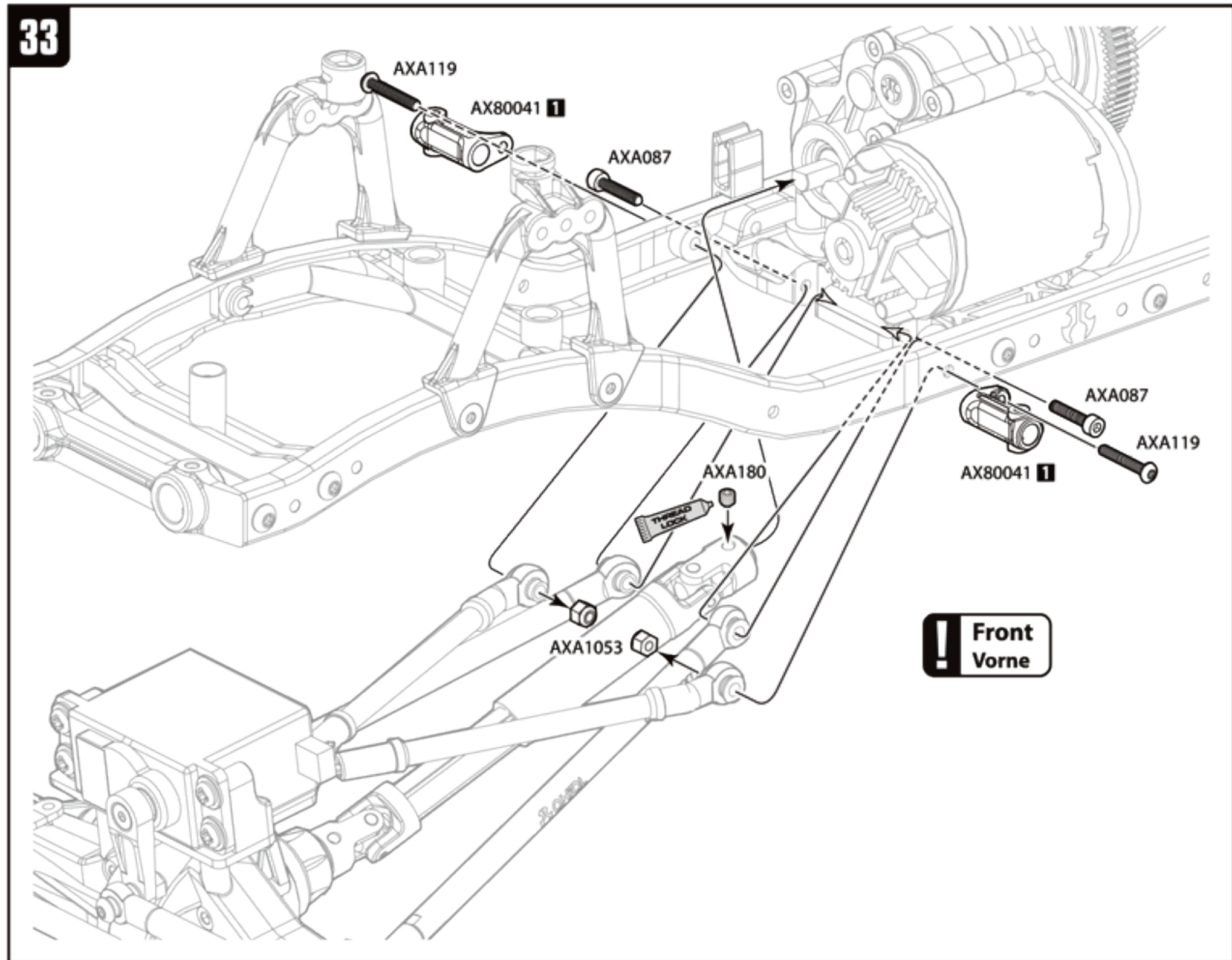
31







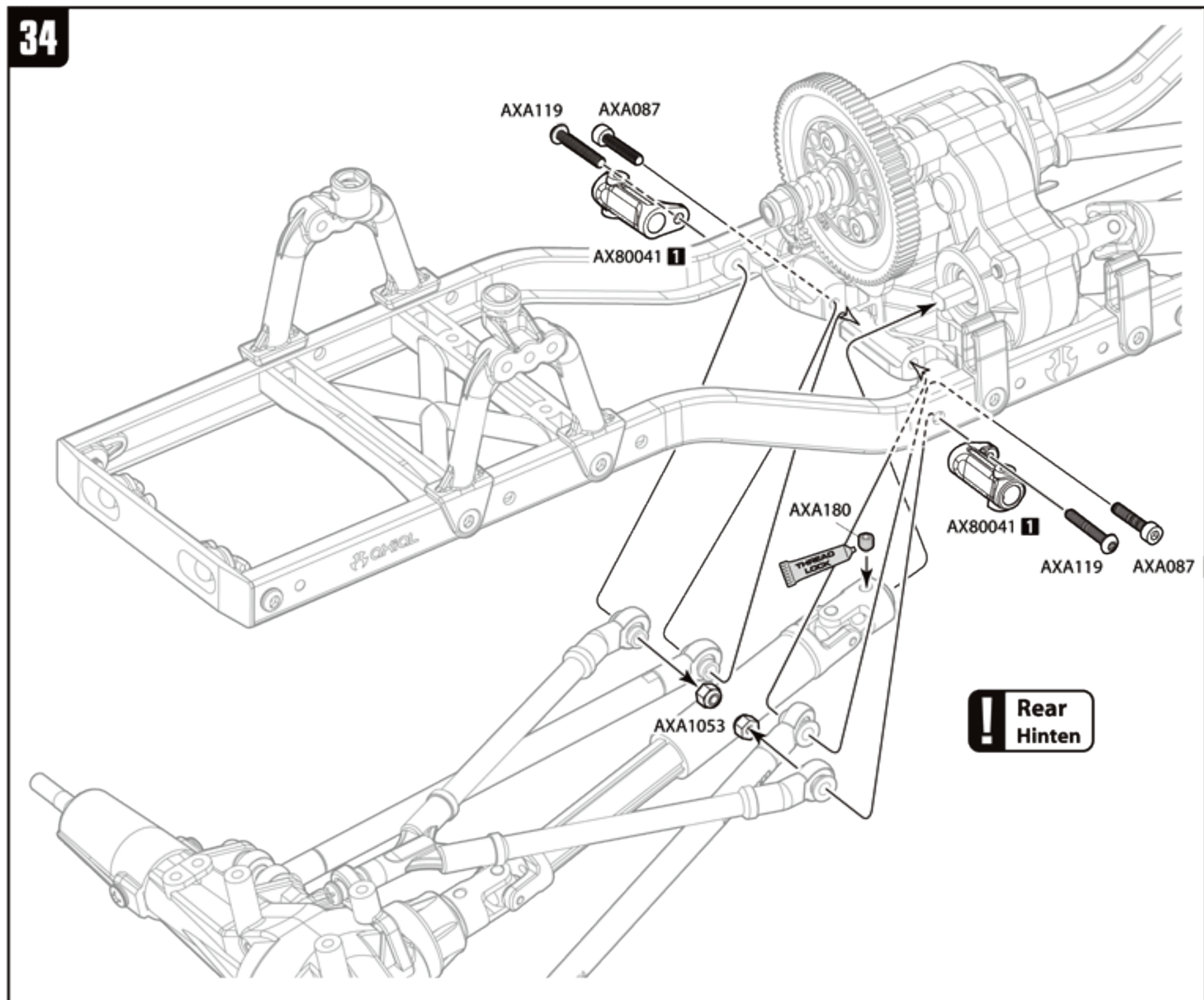
**AXA433**
M3x6mm Hex Socket Tapping Button Head **x8****AXA464**
M3x8mm Hex Socket Tapping Flat Head **x10**



-  **AXA119**
M3x20mm Hex Socket Button Head **x2**
-  **AXA087**
M3x16mm Cap Head **x2**
-  **AXA1053**
M3 Nylon Lock Nut **x2**
-  **AXA180**
M3x3mm Set Screw **x1**



-  **AXA119**
M3x20mm Hex Socket Button Head **x2**
-  **AXA087**
M3x16mm Cap Head **x2**
-  **AXA1053**
M3 Nylon Lock Nut **x2**
-  **AXA180**
M3x3mm Set Screw **x1**





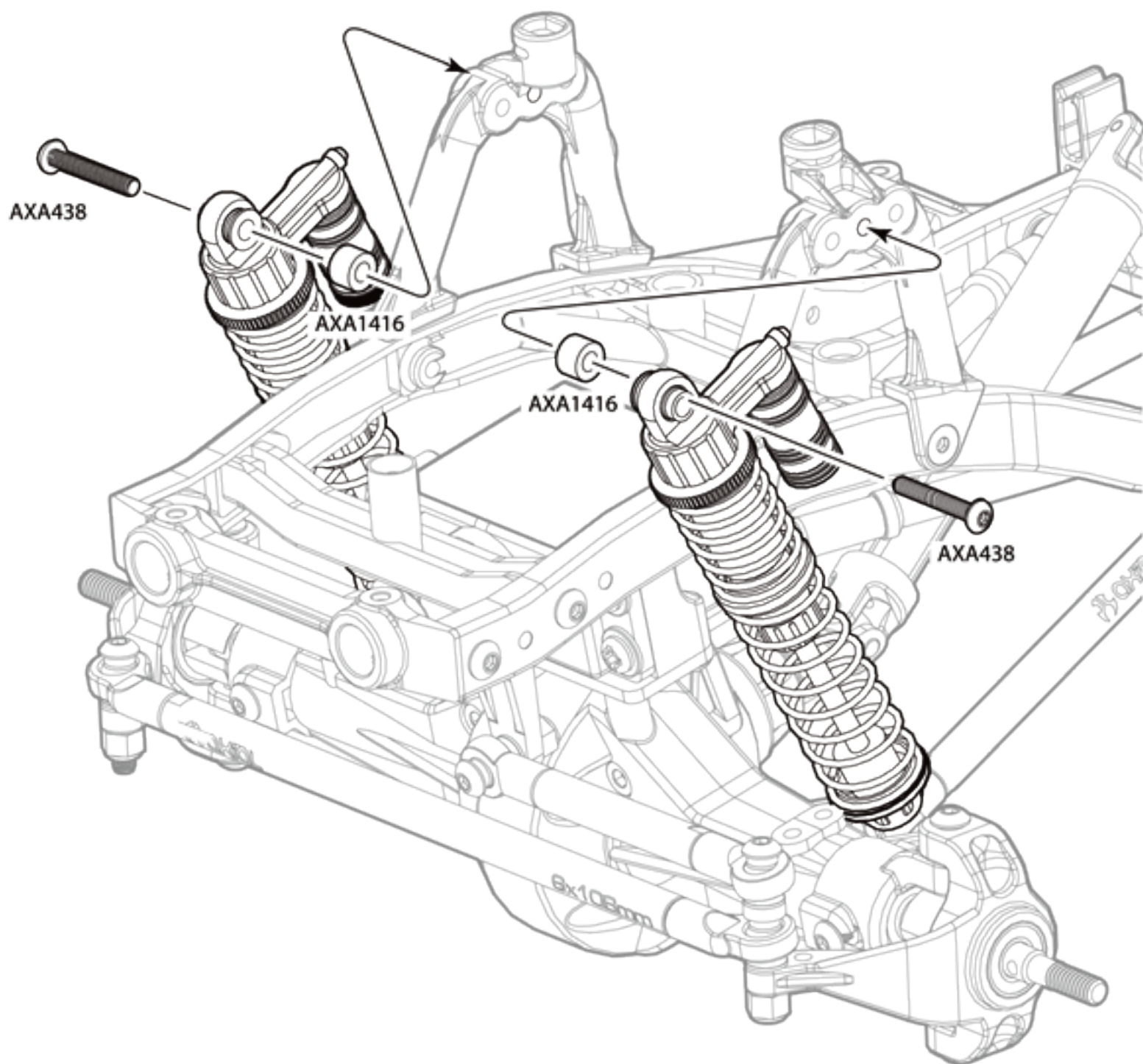
AXA438
M3x18mm Tapping Button Head **x2**



AXA1416 **x2**
6x4x3mm

35

**! Front
Vorne**



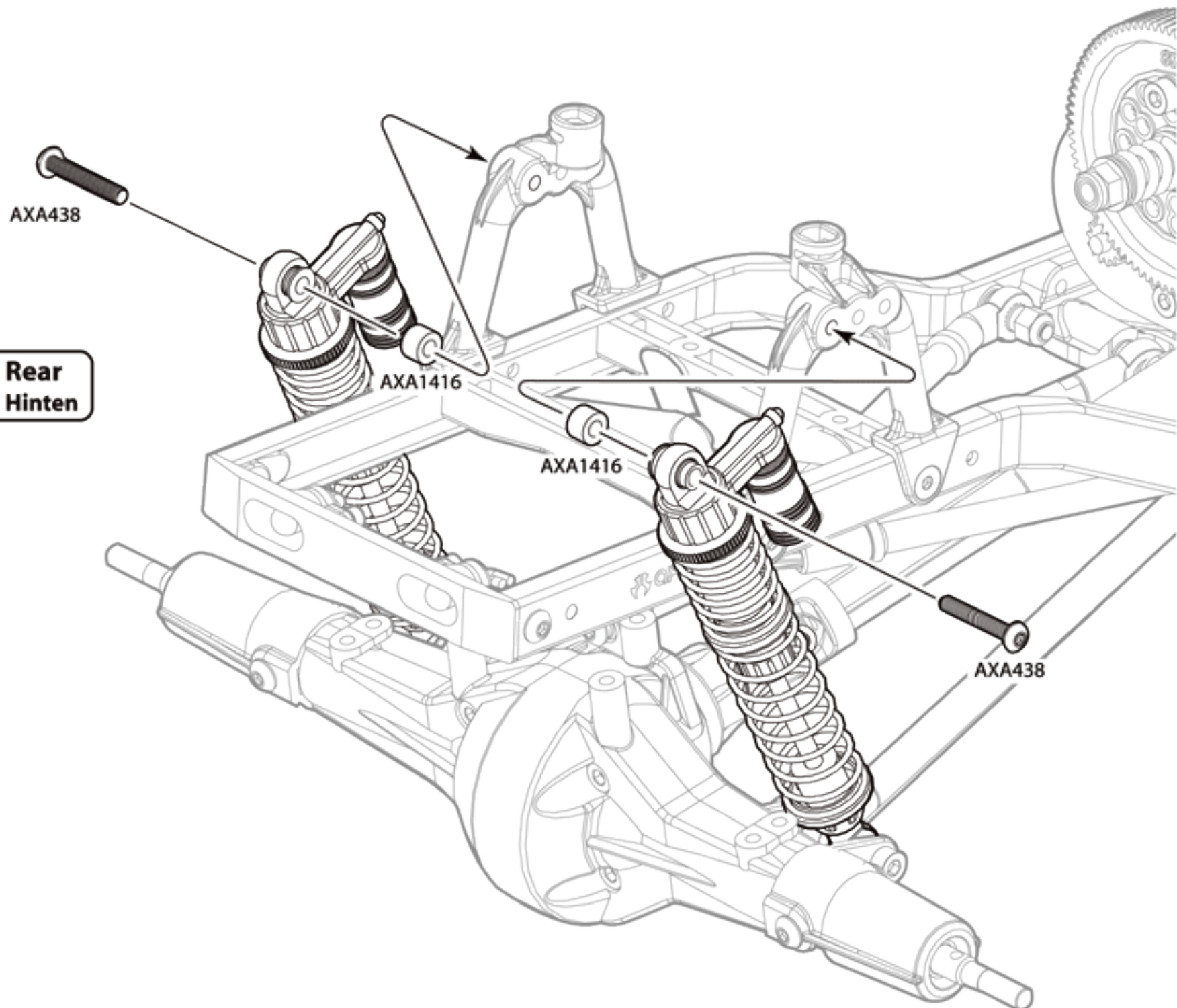
AXA438
M3x18mm Tapping Button Head **x2**



AXA1416 **x2**
6x4x3mm

36

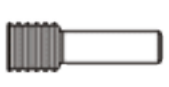
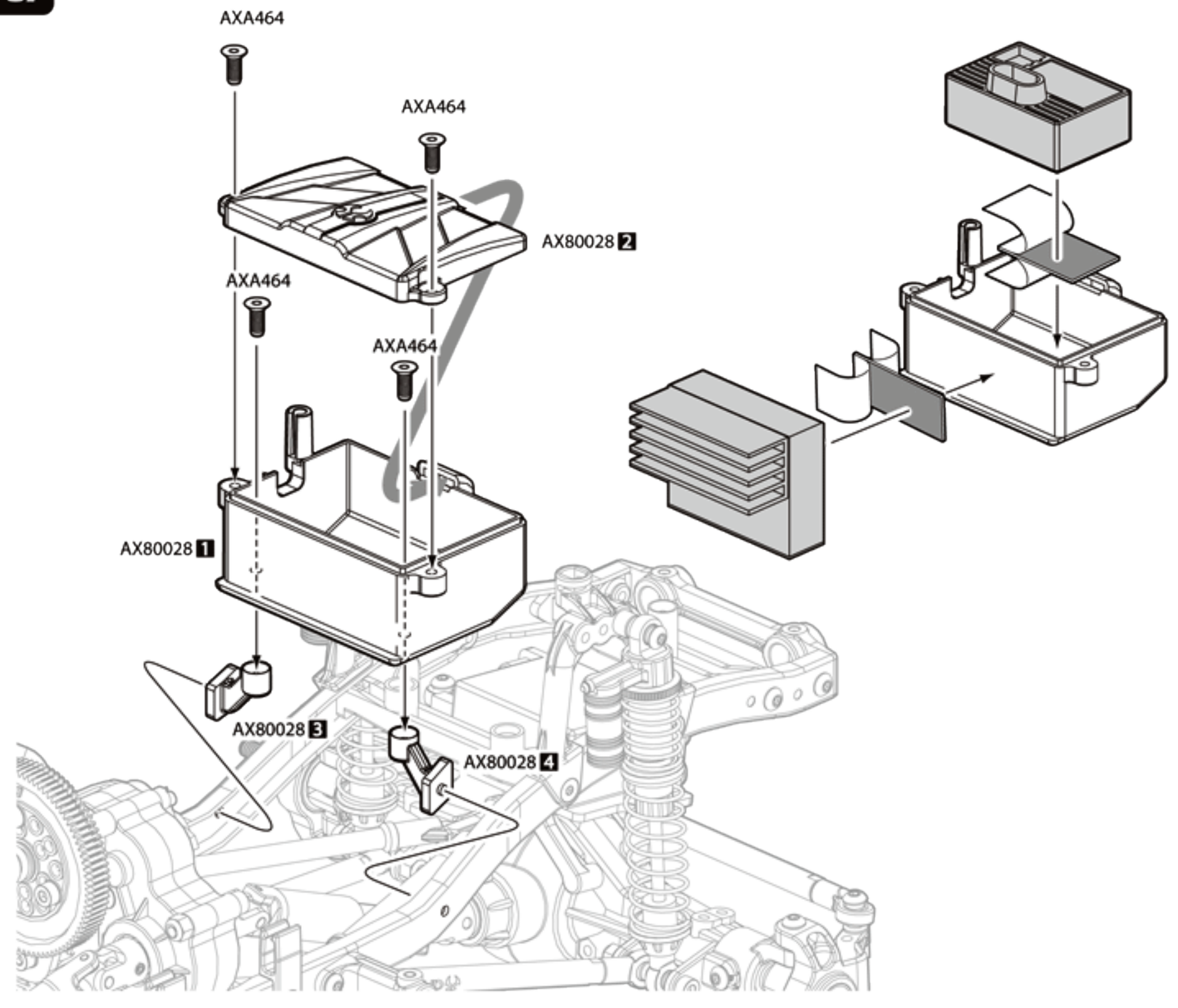
**! Rear
Hinten**





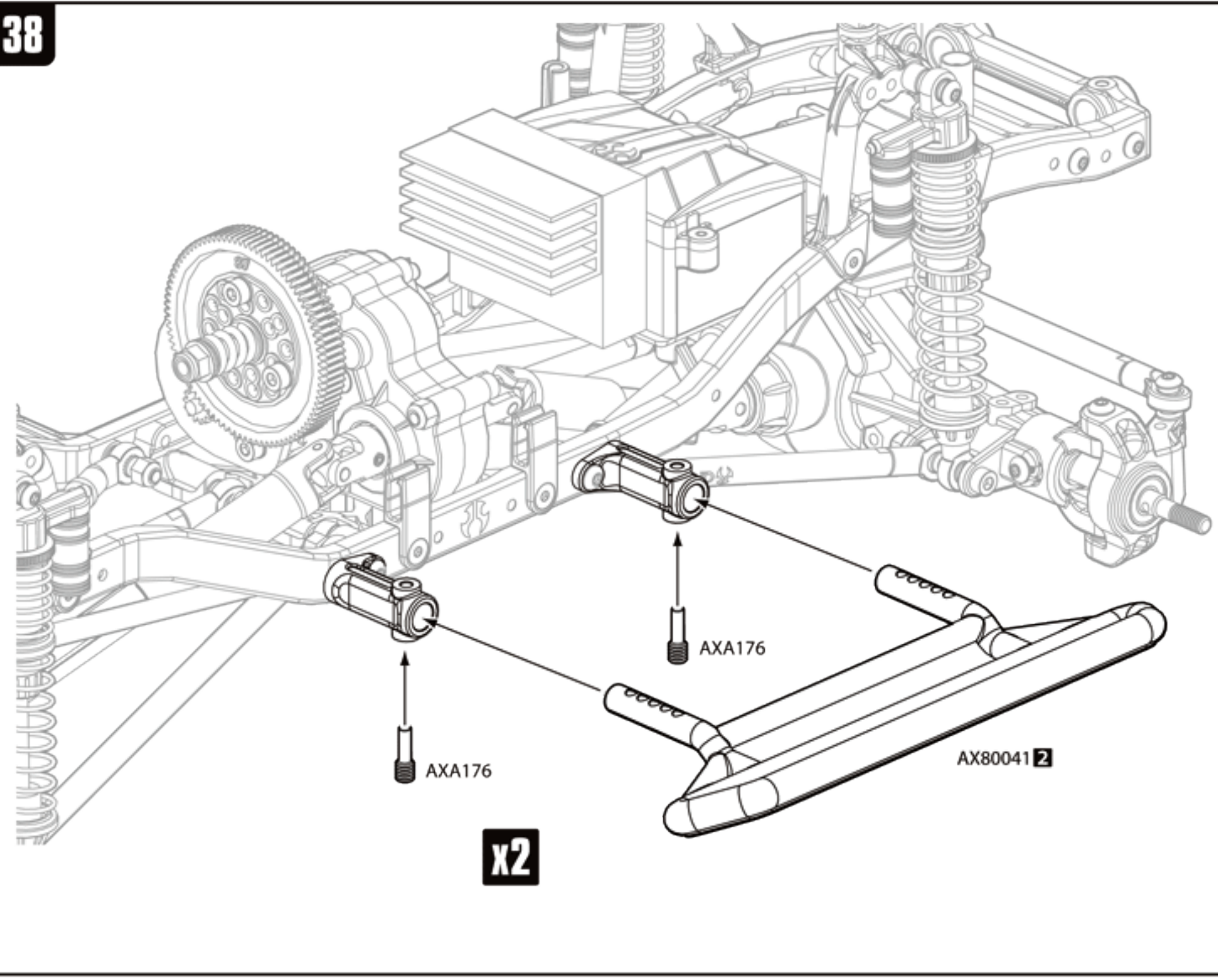
AXA464
M3x8mm Tapping Flat Head **x4**

37



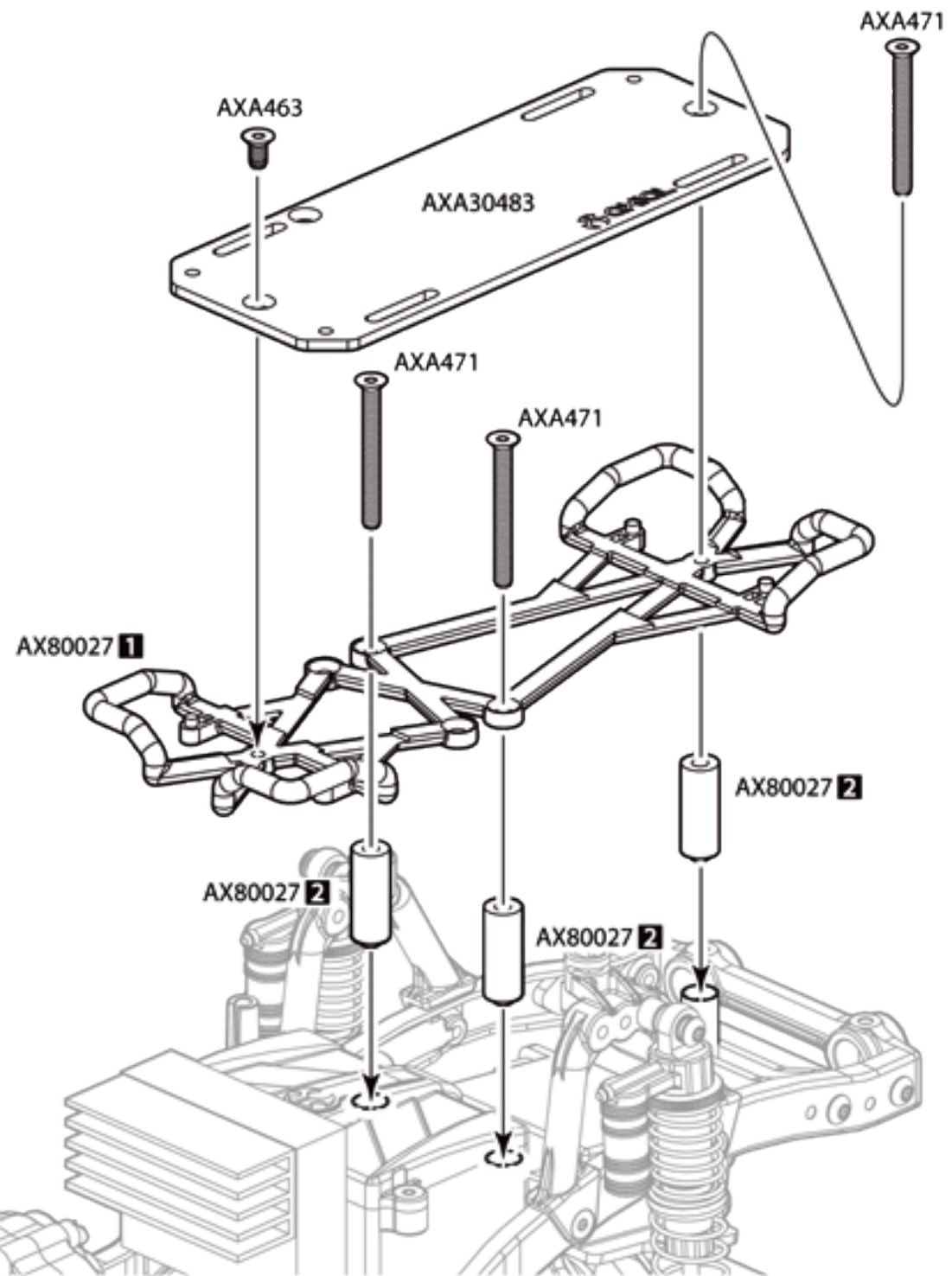
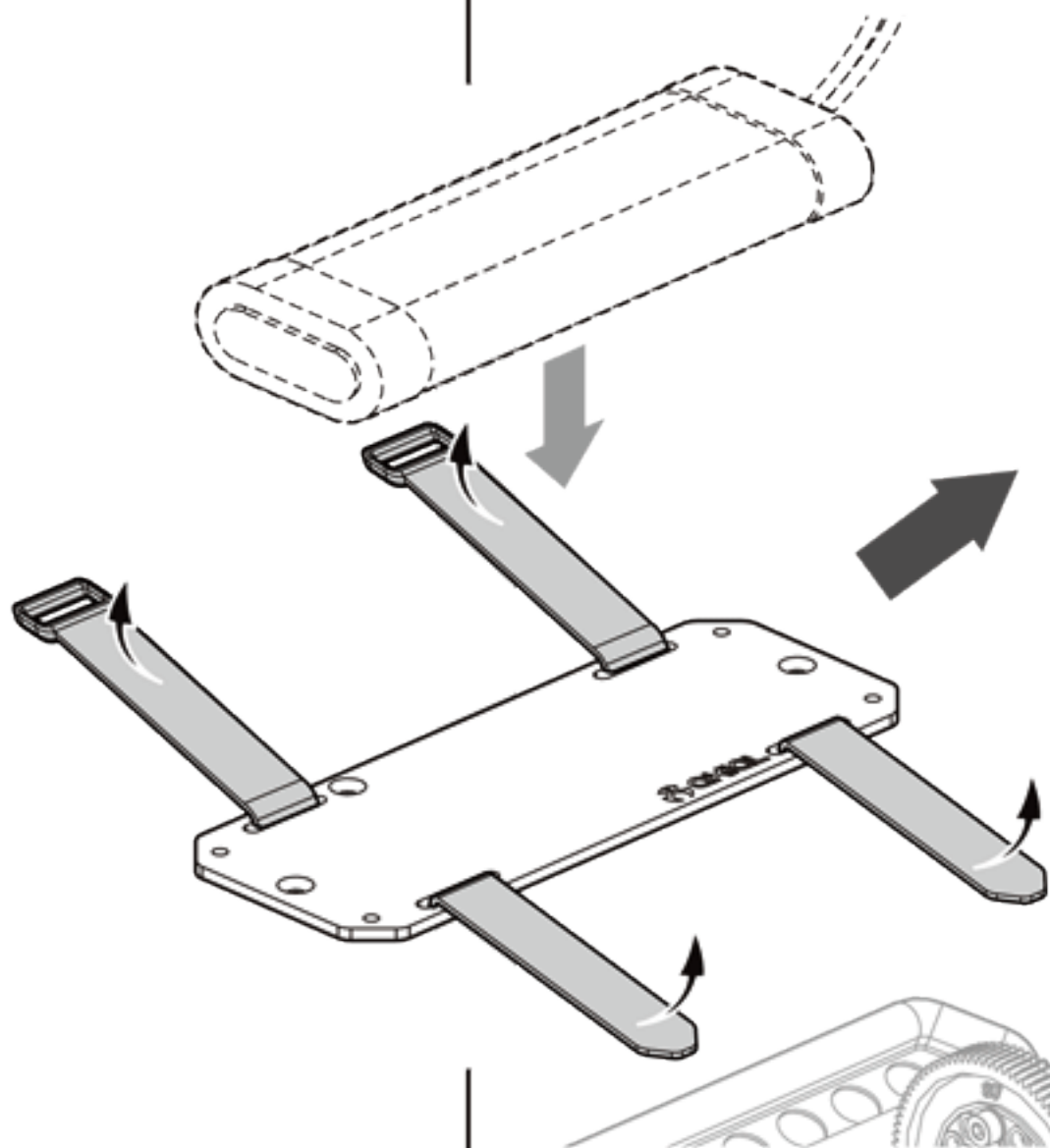
AXA176
M3x2.5x13mm Screw Shaft **x4**

38



- AXA463**
M3x6mm Hex Socket Tapping Flat Head **x1**
- AXA471**
M3x30mm Hex Socket Tapping Flat Head **x3**

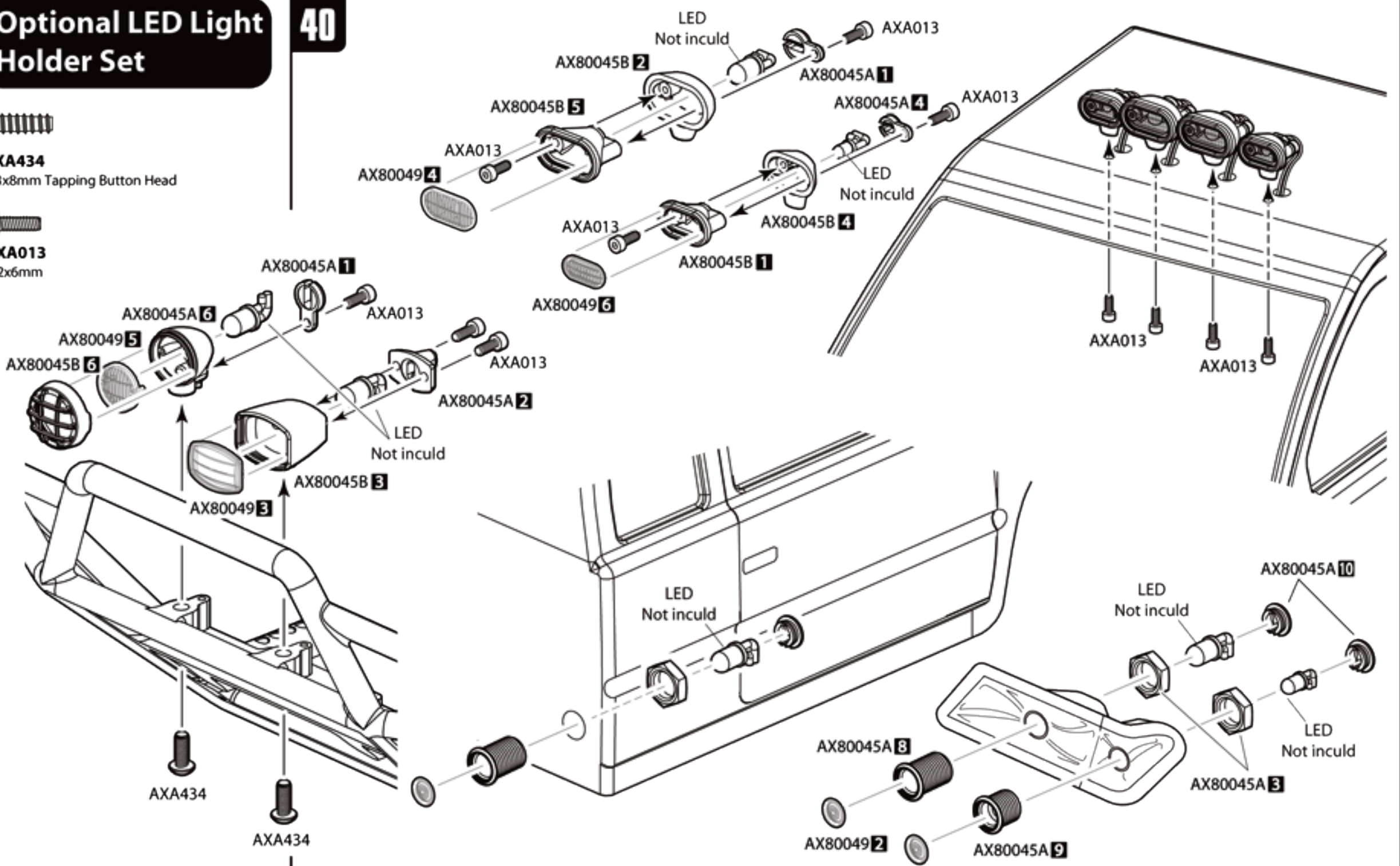
39



Optional LED Light Holder Set

40

- AXA434**
M3x8mm Tapping Button Head
- AXA013**
M2x6mm



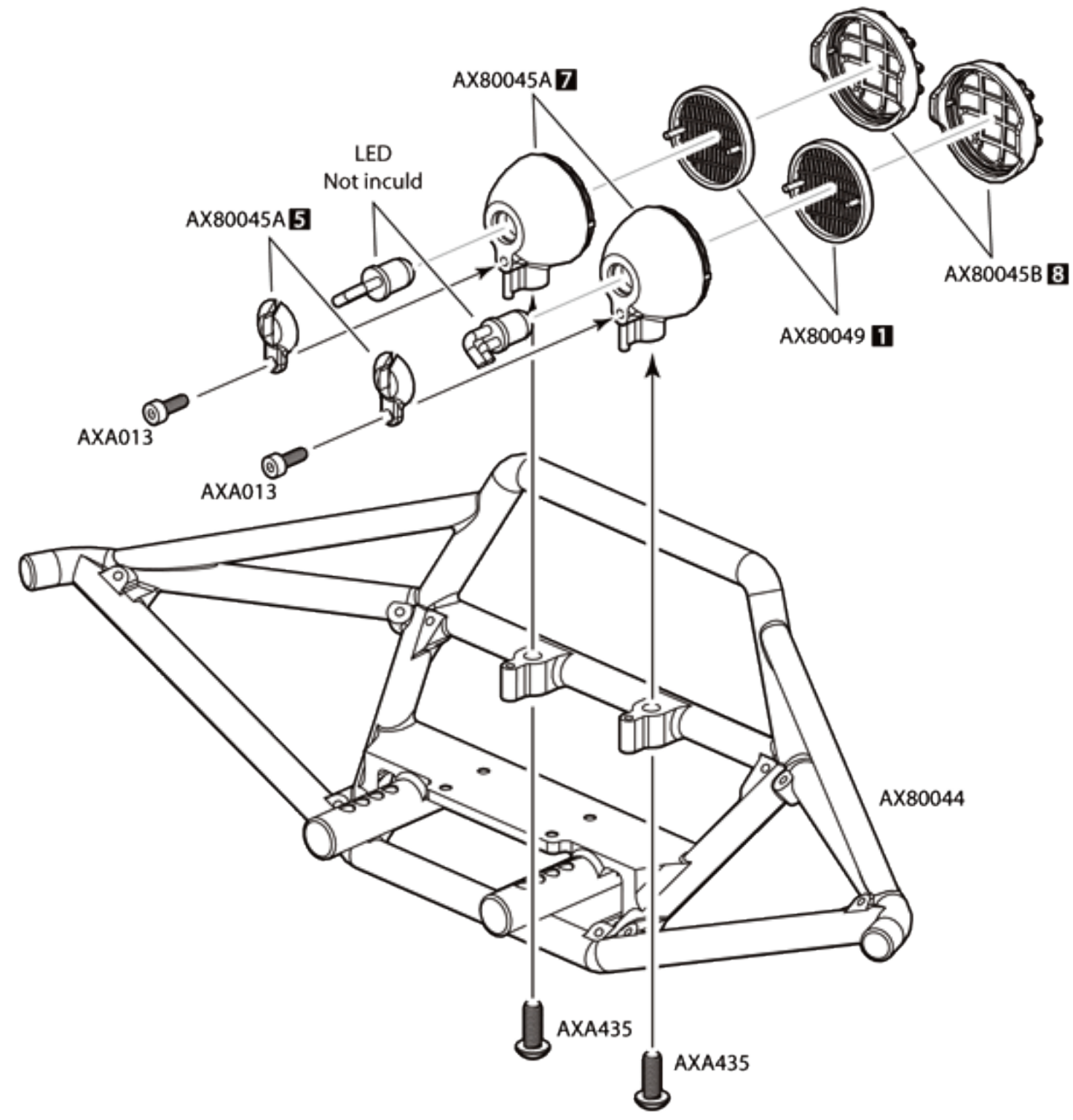


AXA435
M3x10mm Tapping Button Head **x2**



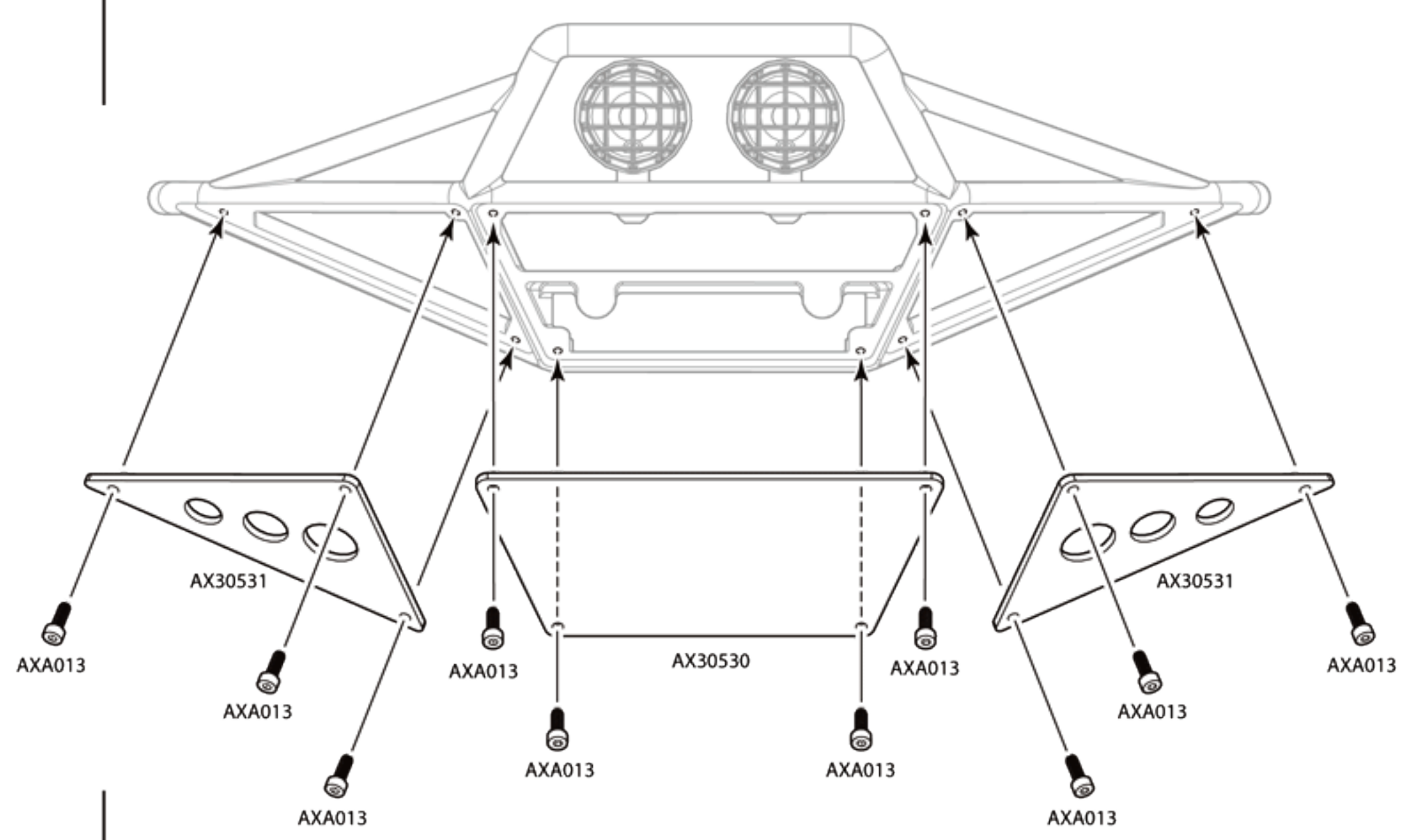
AXA013 **x2**
M2x6mm

41

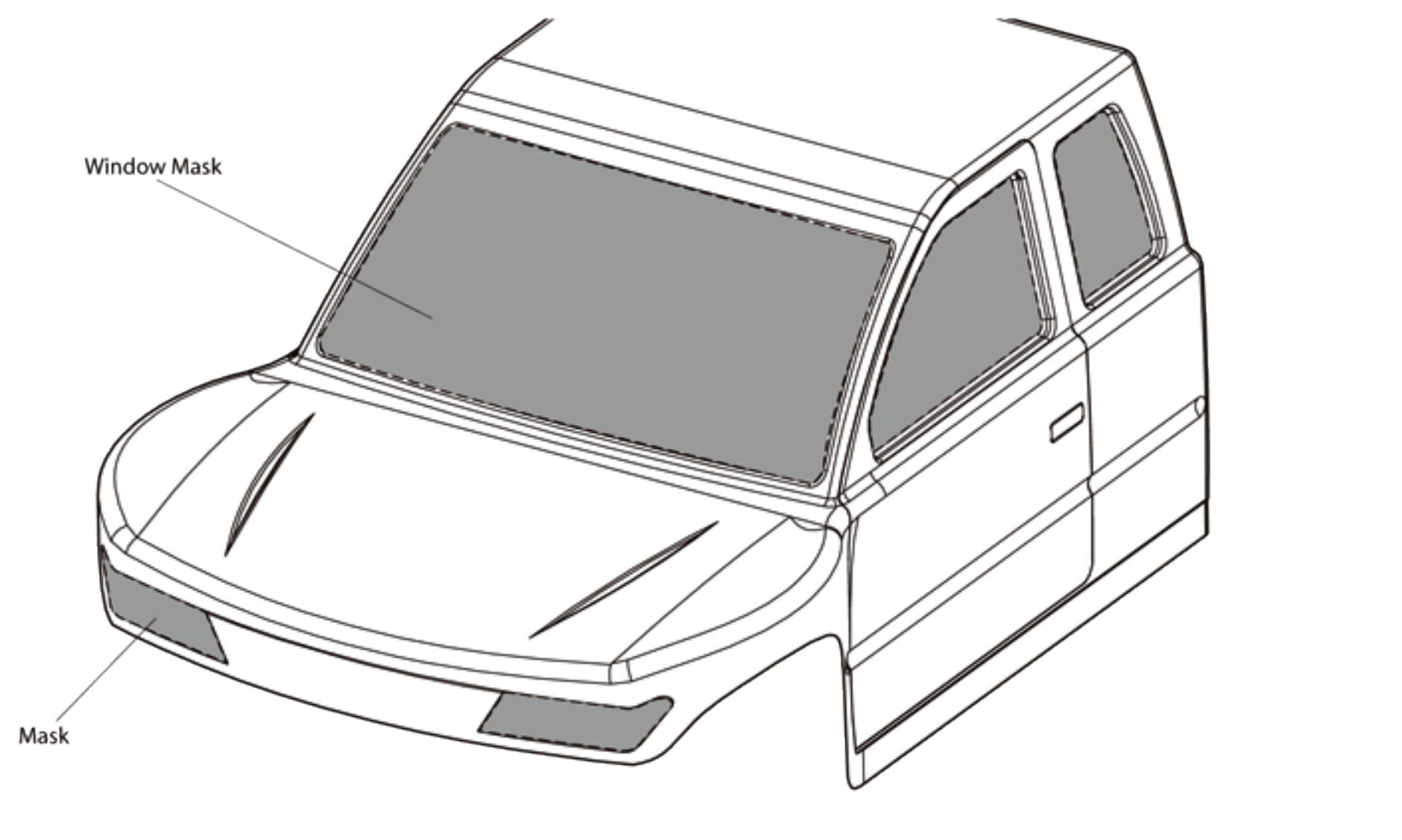


AXA013 **x10**
M2x6mm

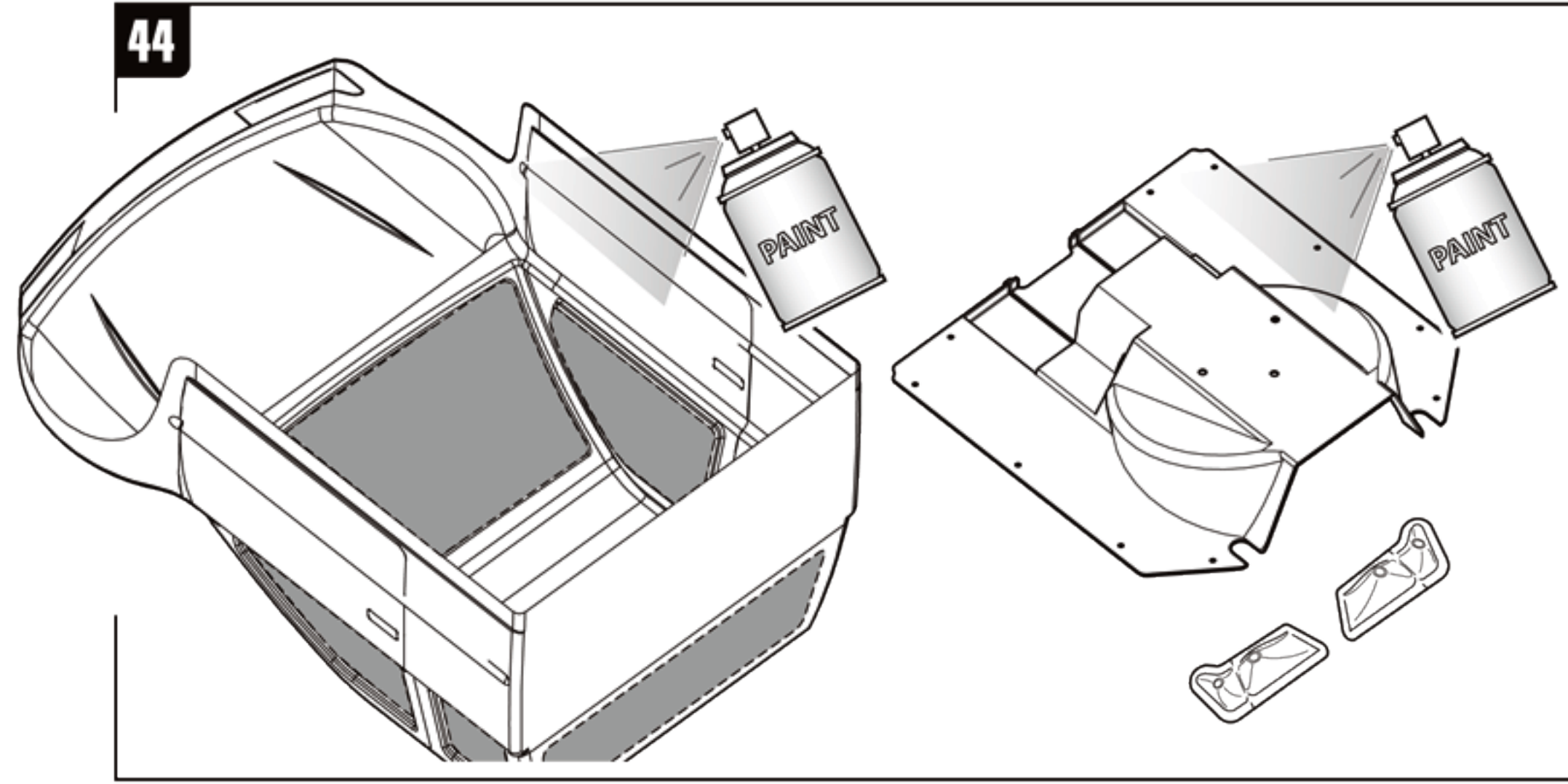
42



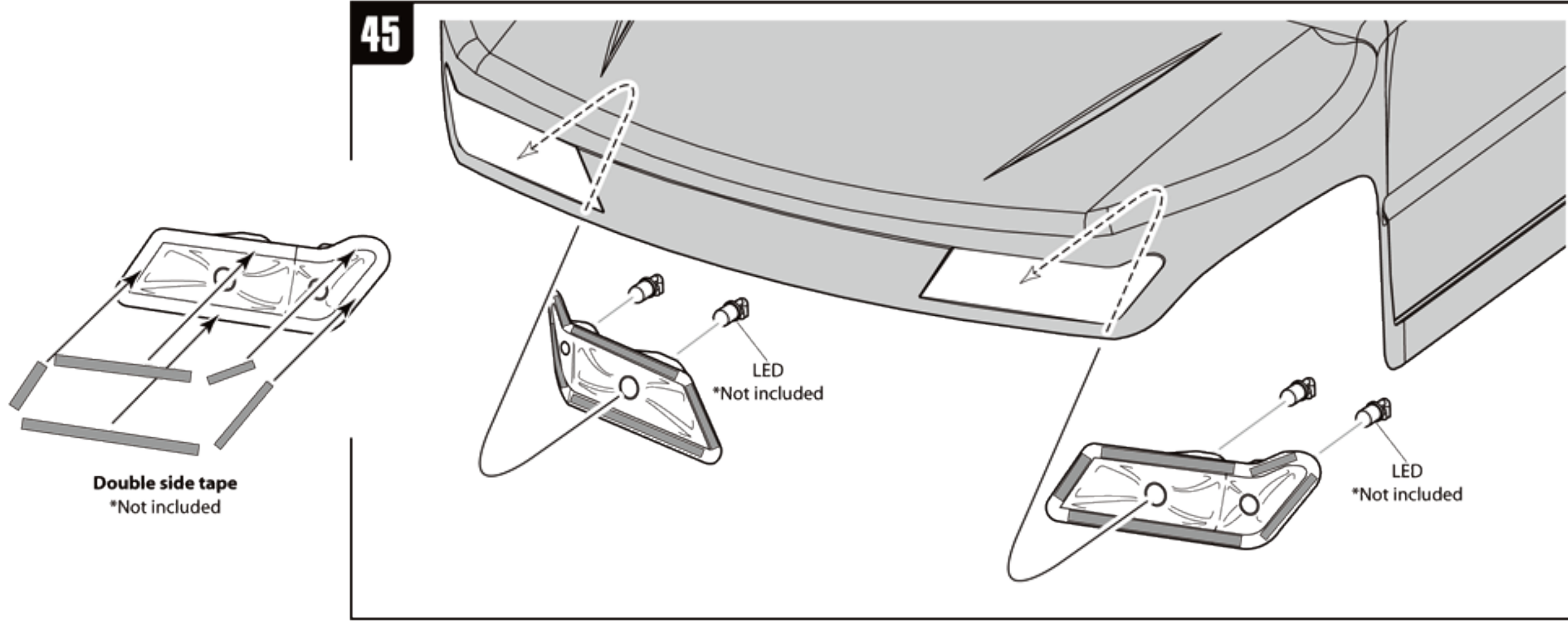
43



44



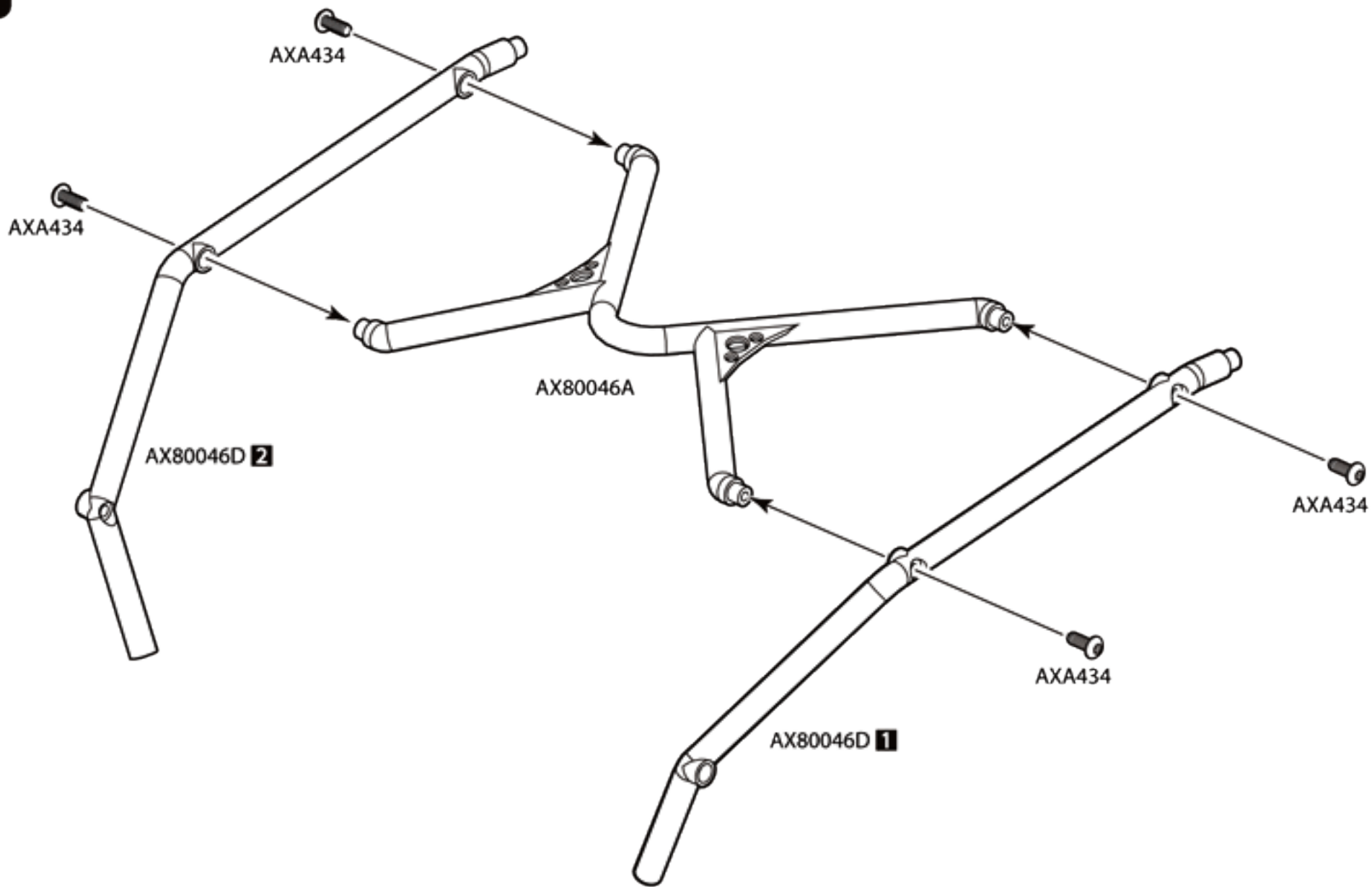
45





AXA434
M3x8mm Tapping Button Head **x4**

46



AXA434
M3x8mm Tapping Button Head **x2**

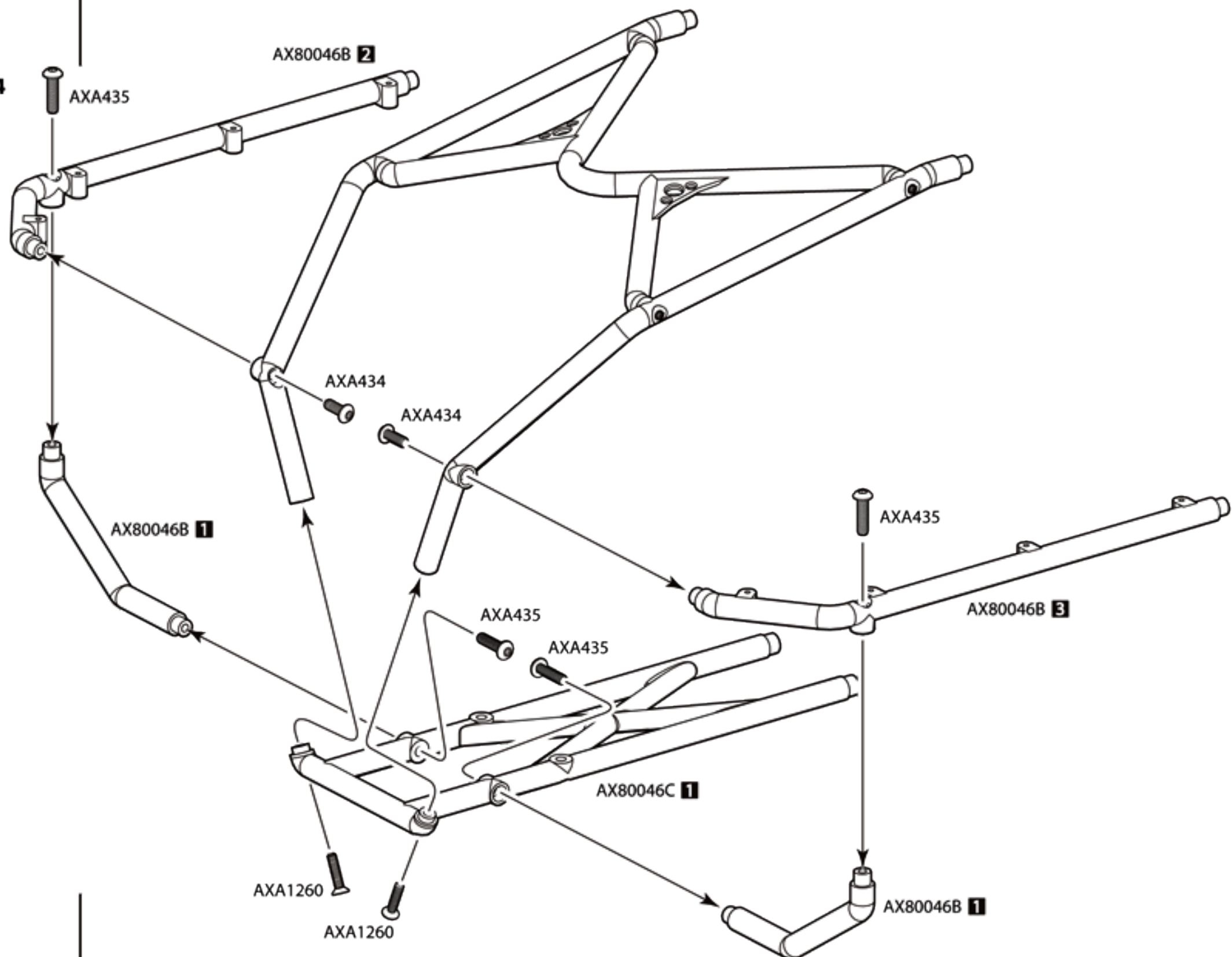


AXA435
M3x10mm Tapping Button Head **x4**



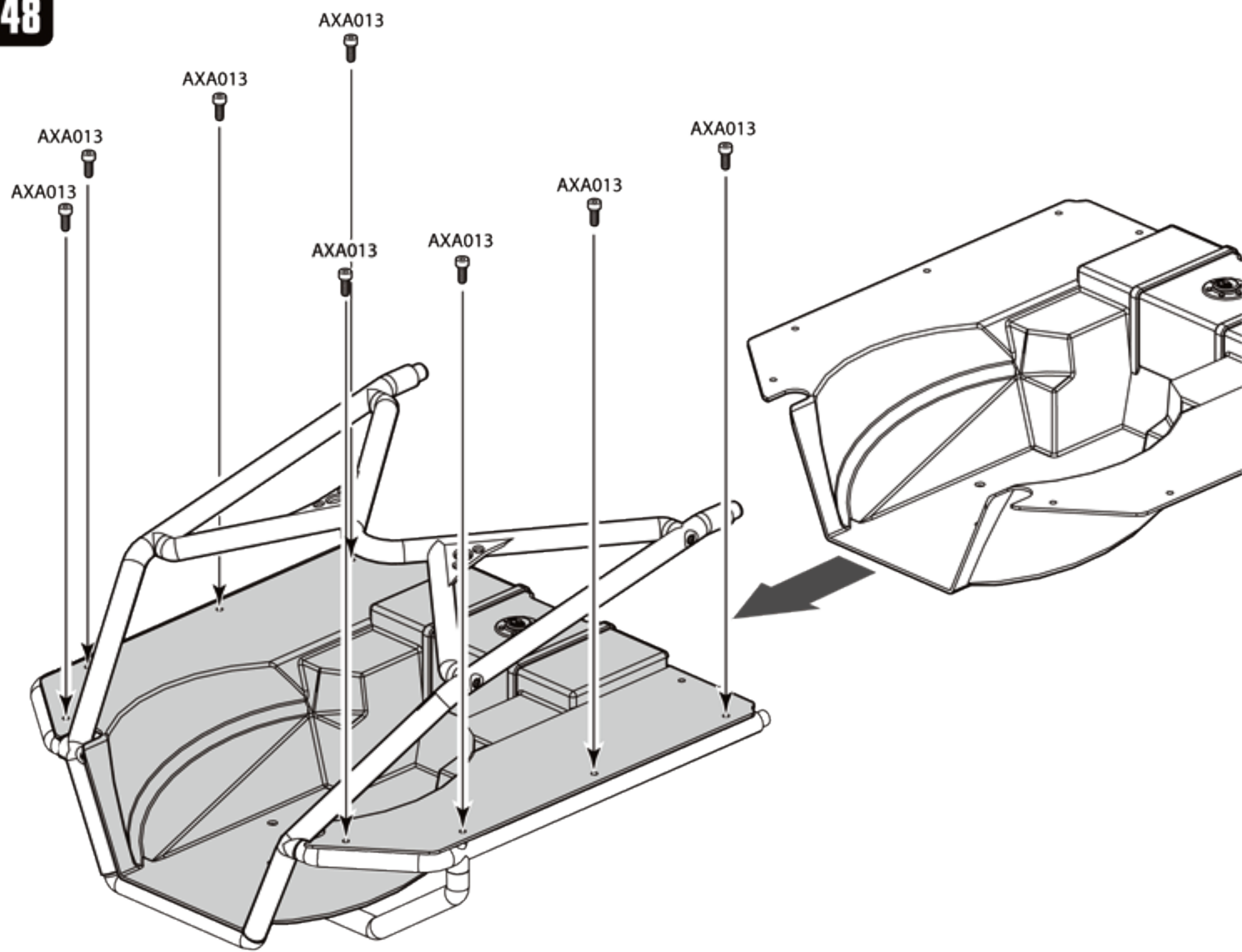
AXA1260
M2.5x12mm Tapping Flat Head **x2**

47



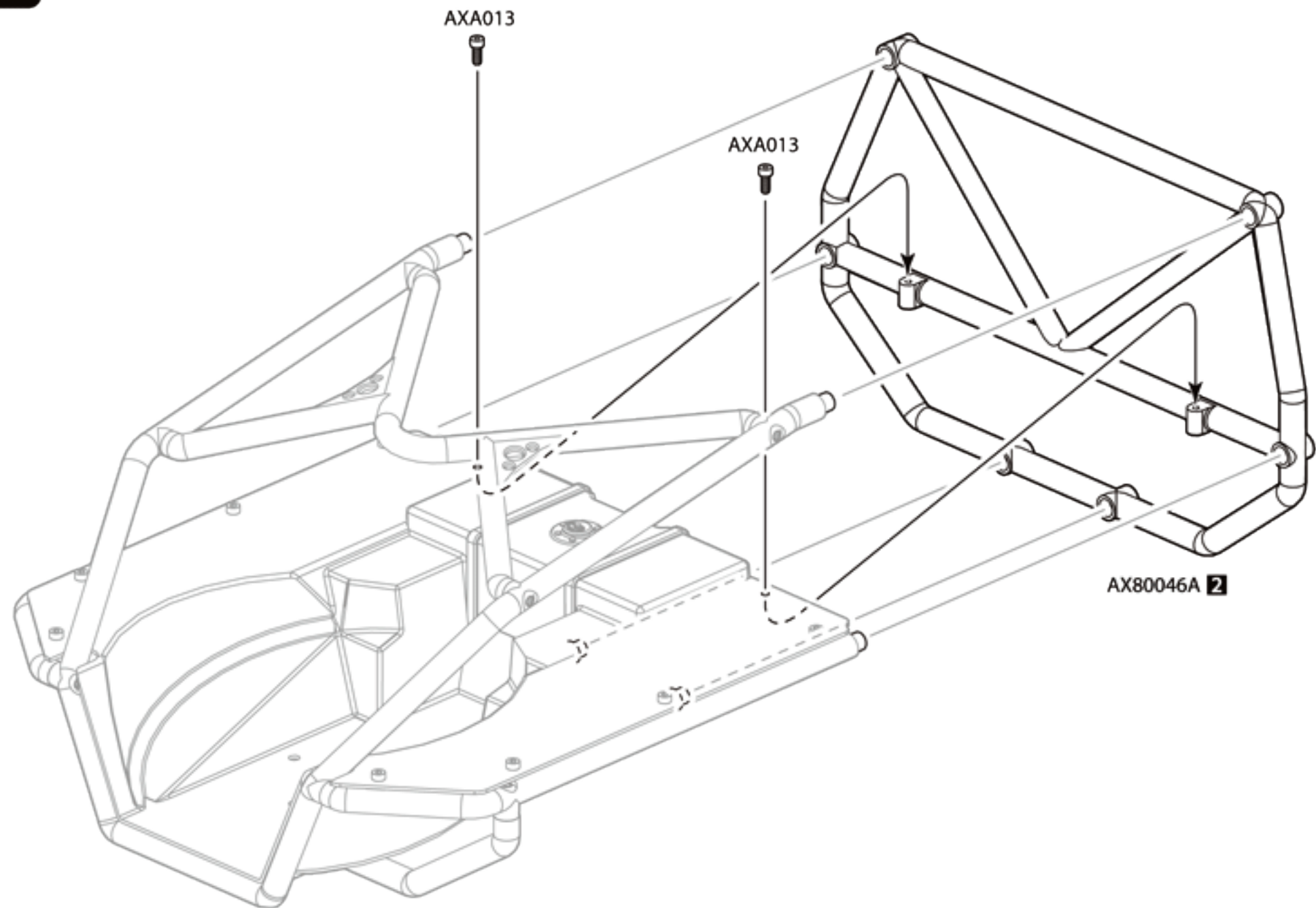
AXA013 x8
M2x6mm




48

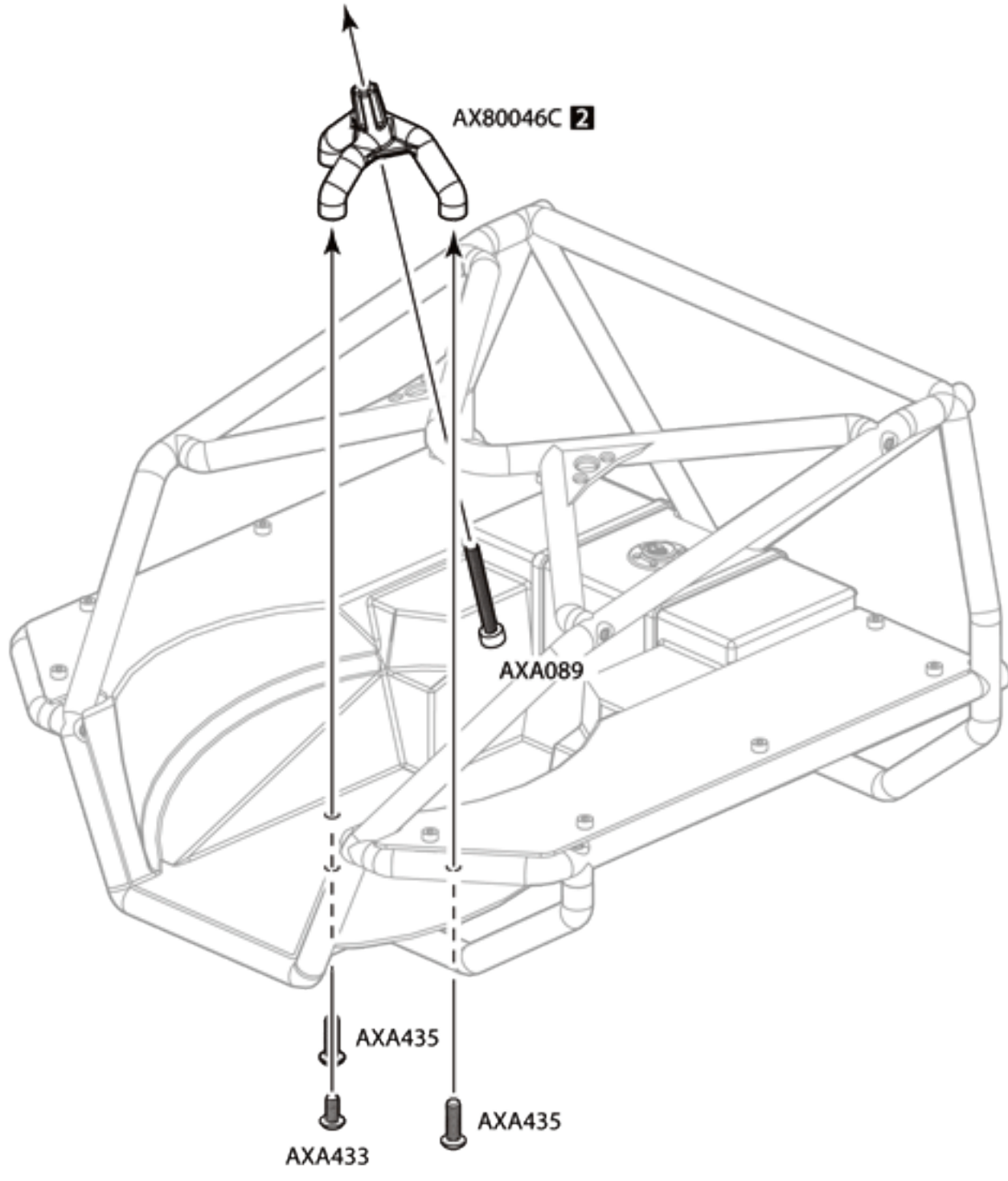




AXA013 x2
M2x6mm

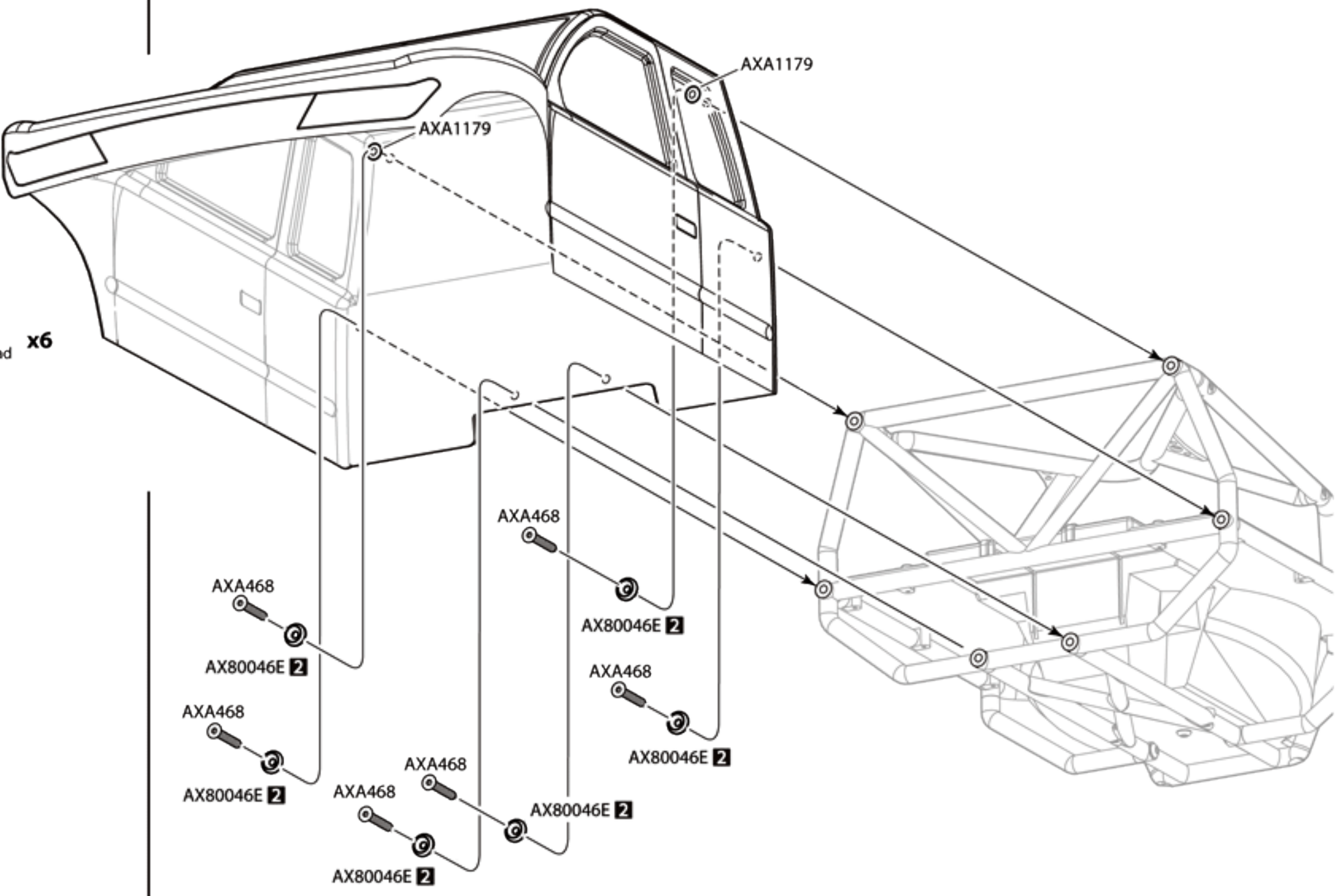
49



-  **AXA433**
M3x6mm Tapping Button Head **x1**
-  **AXA435**
M3x10mm Tapping Button Head **x2**
-  **AXA089**
M3x25mm Cap Head **x1**

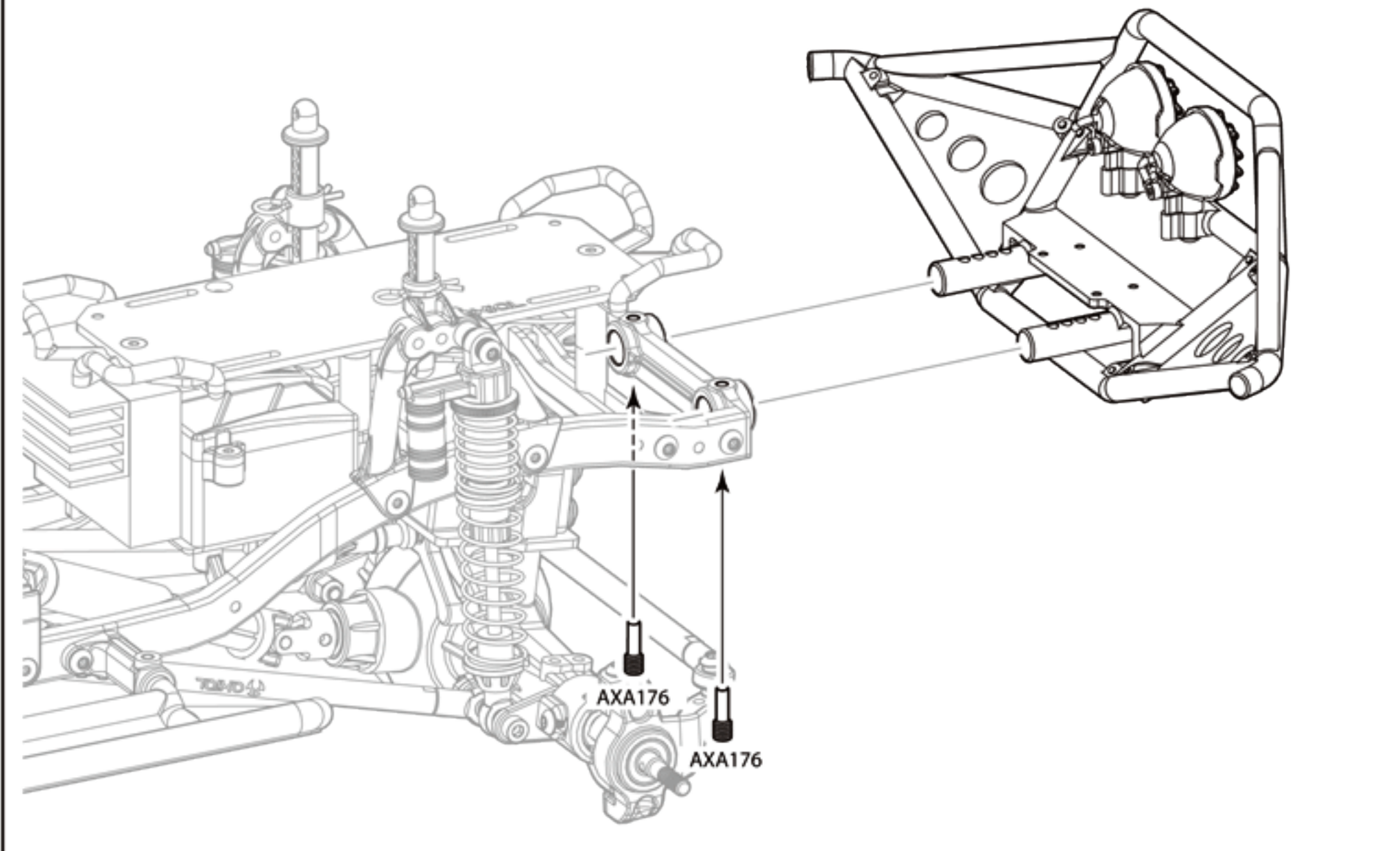


-  **AXA468**
M3x18mm Tapping Flat Head **x6**
-  **AXA1179**
O-Ring 2.5x1.5mm **x2**



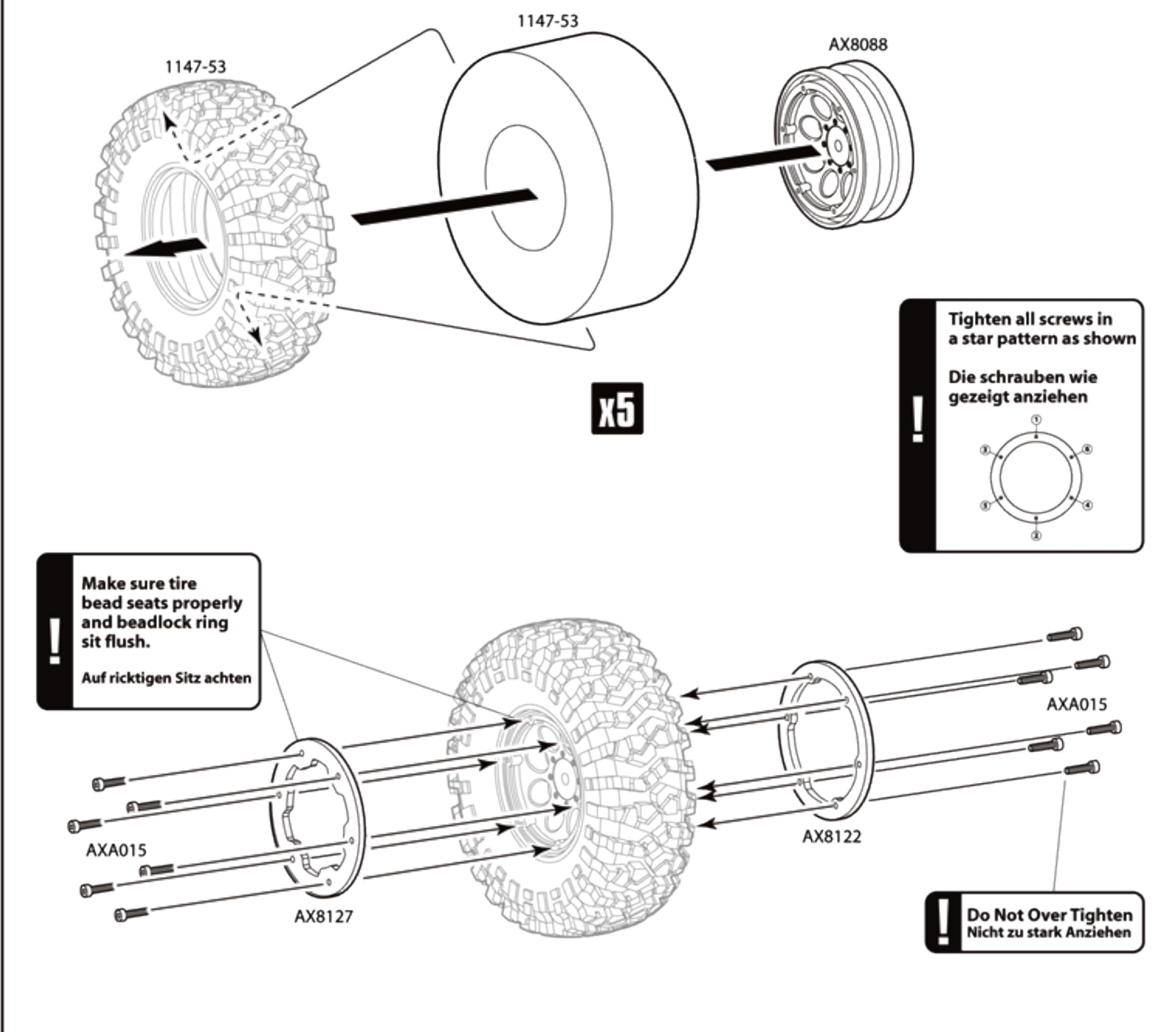
AXA176
M3x2.5x13mm Screw Shaft **x2**

52



AXA015
M2x10mm Cap Head **x60**

53



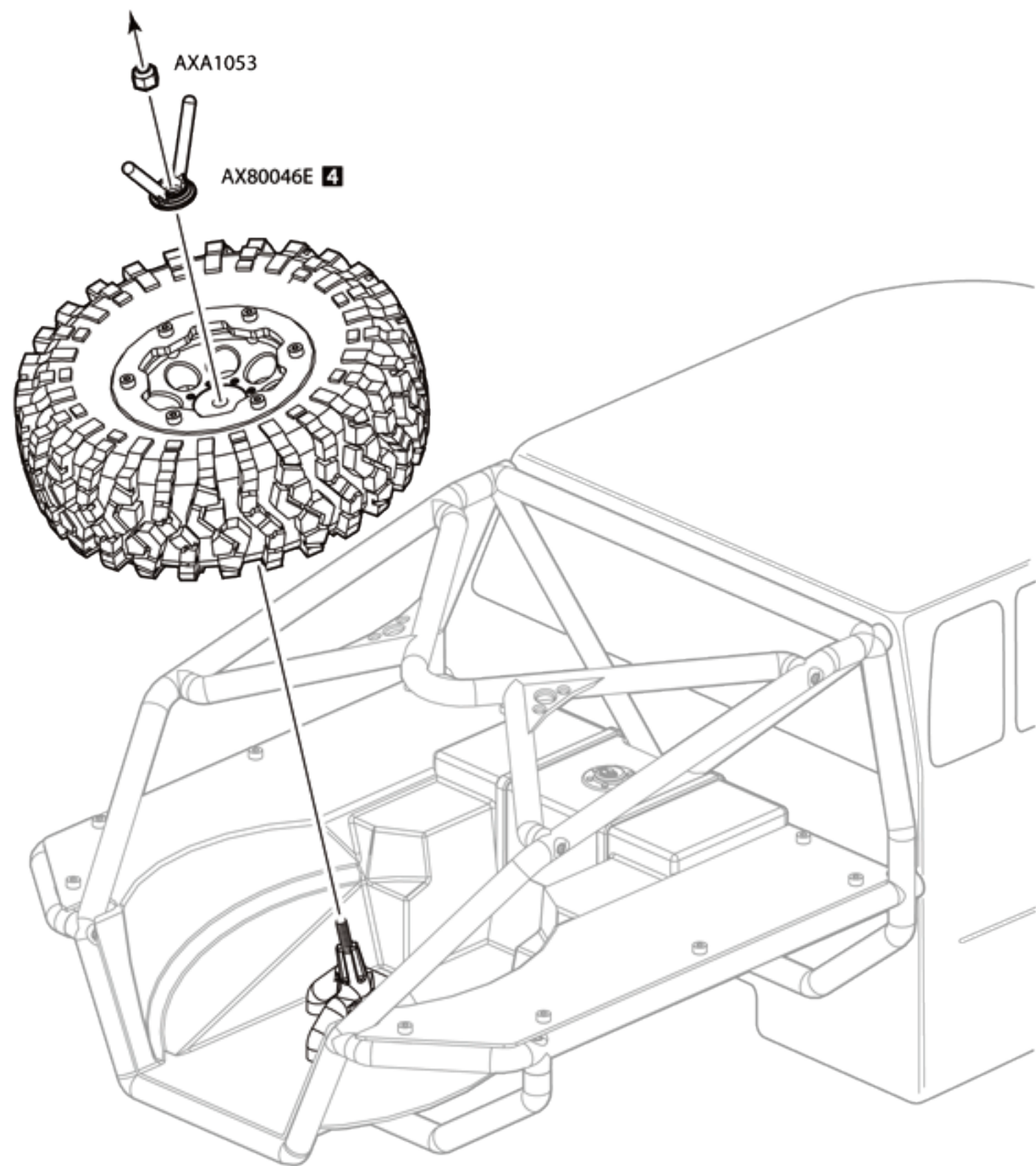


Open Bag G

54



AXA1053
M3 Nylon Lock Nut x1



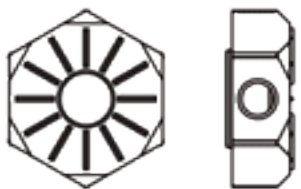
AXA180
M3x3mm Set Screw x4



AX30163
Pin 2.0x10 x4

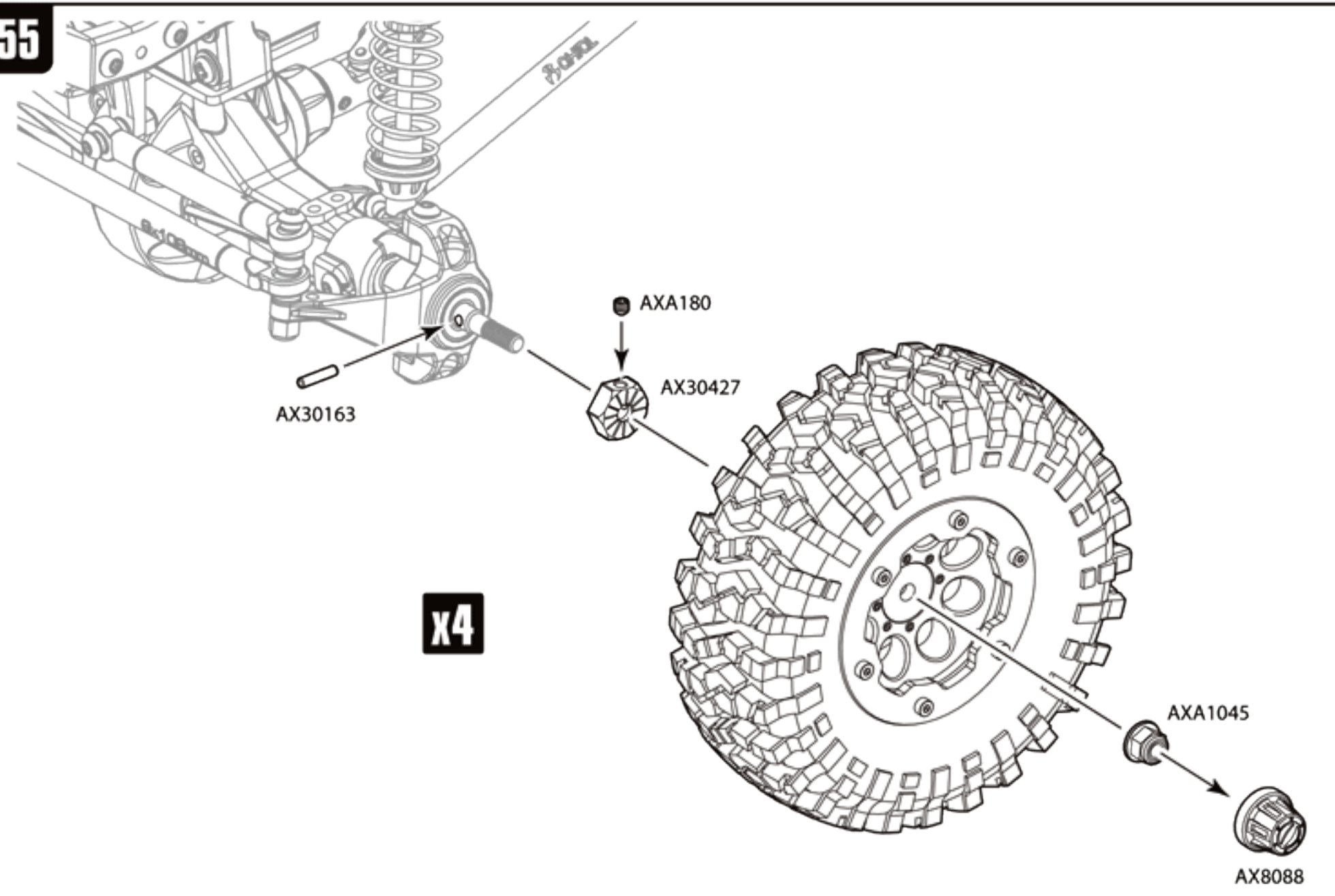


AXA1045
M4 Nylon Lock Nut x4



AX30427
12mm Aluminum Hub x4

55

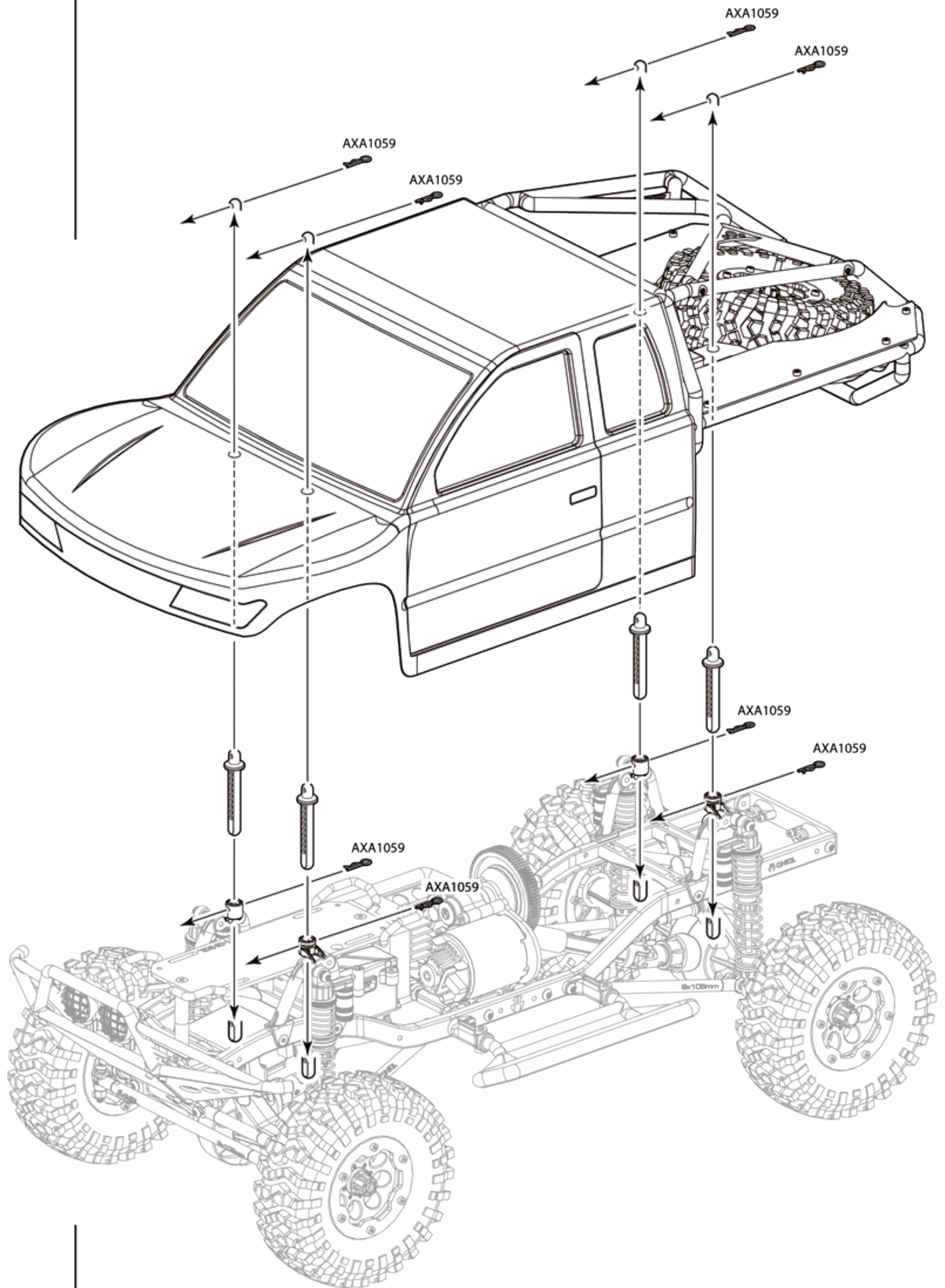


x4

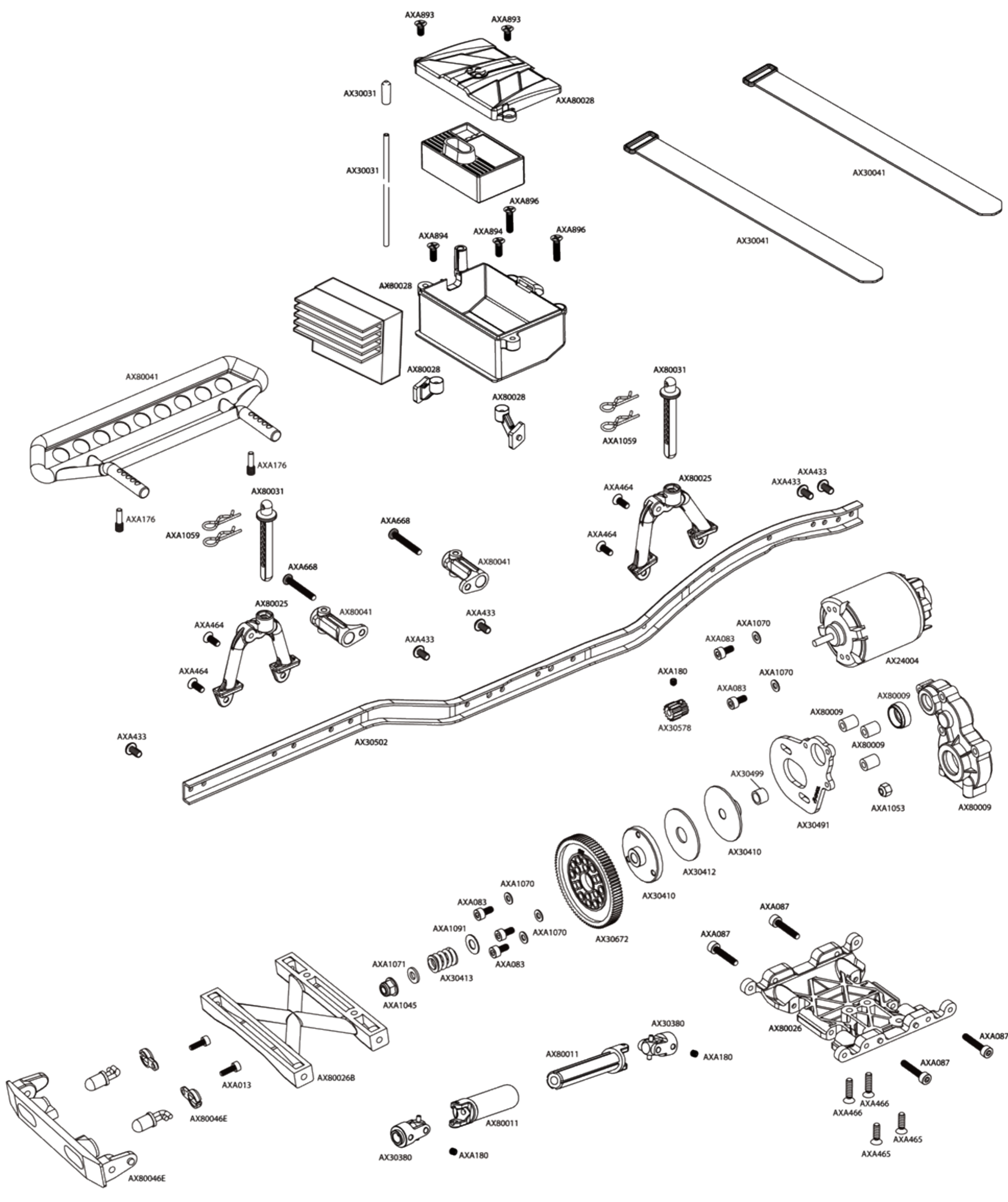


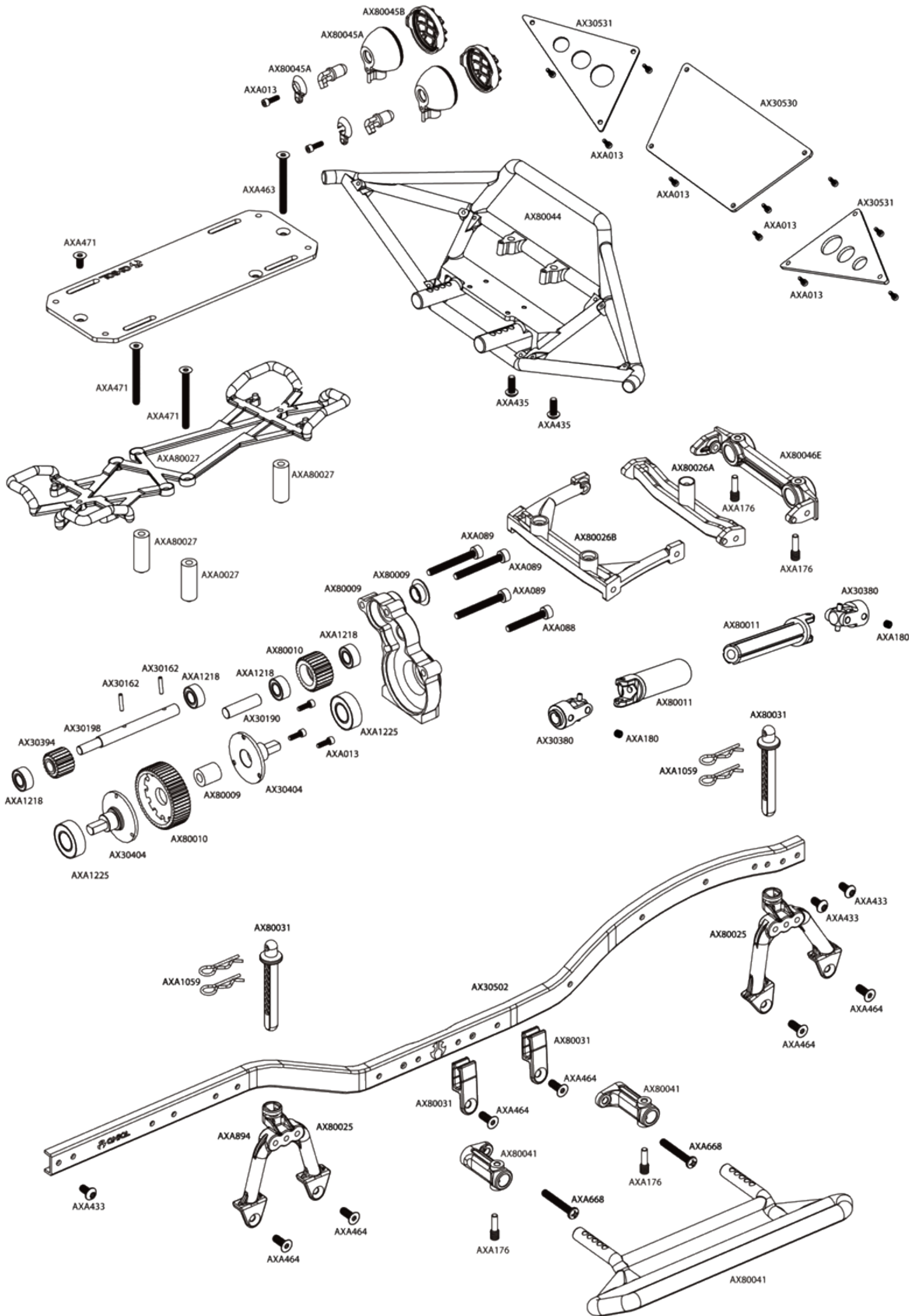
AXA1059
6mm Body clip **x8**

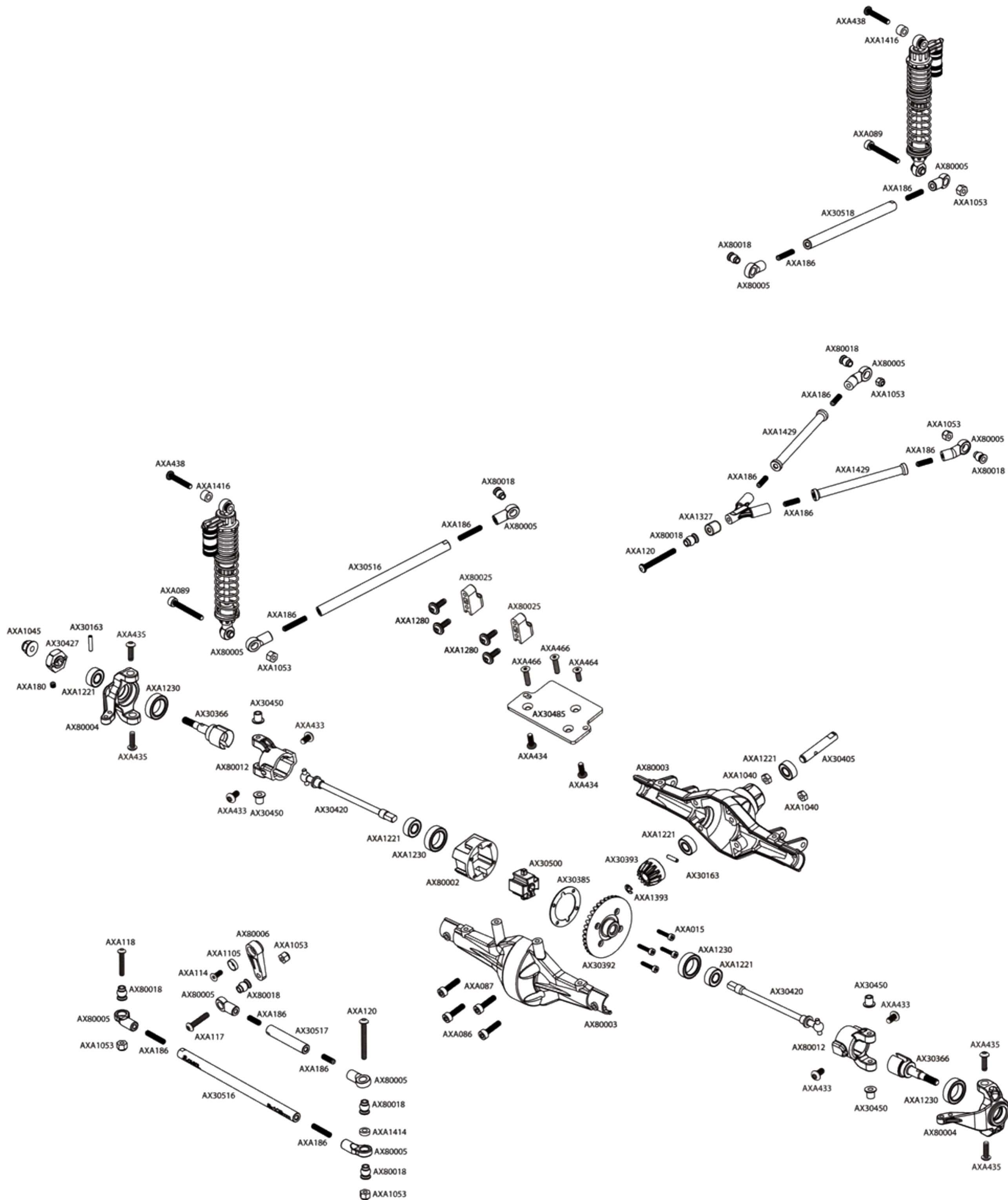
56

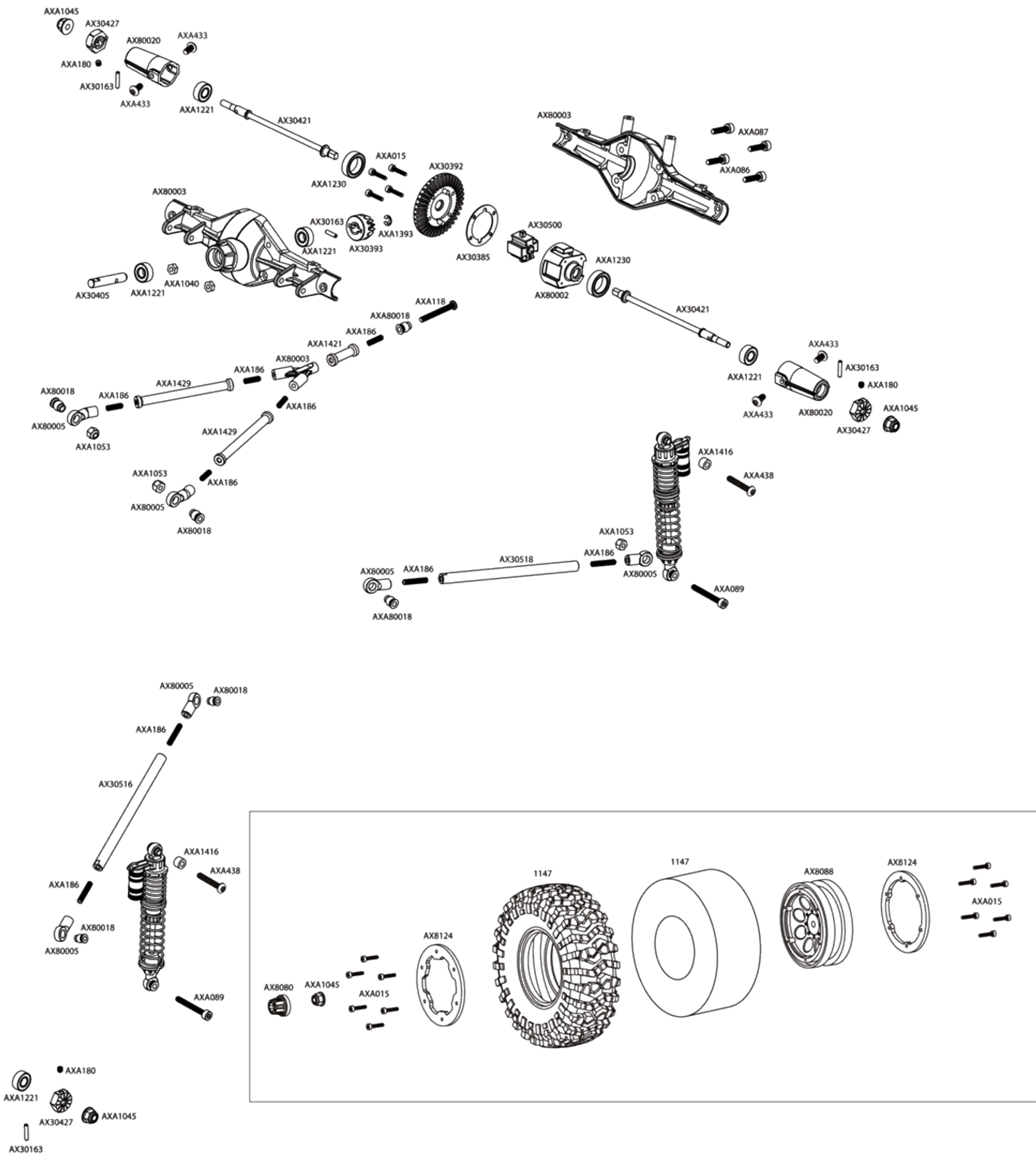


Exploded View / Explosionsansicht / Vue éclatée









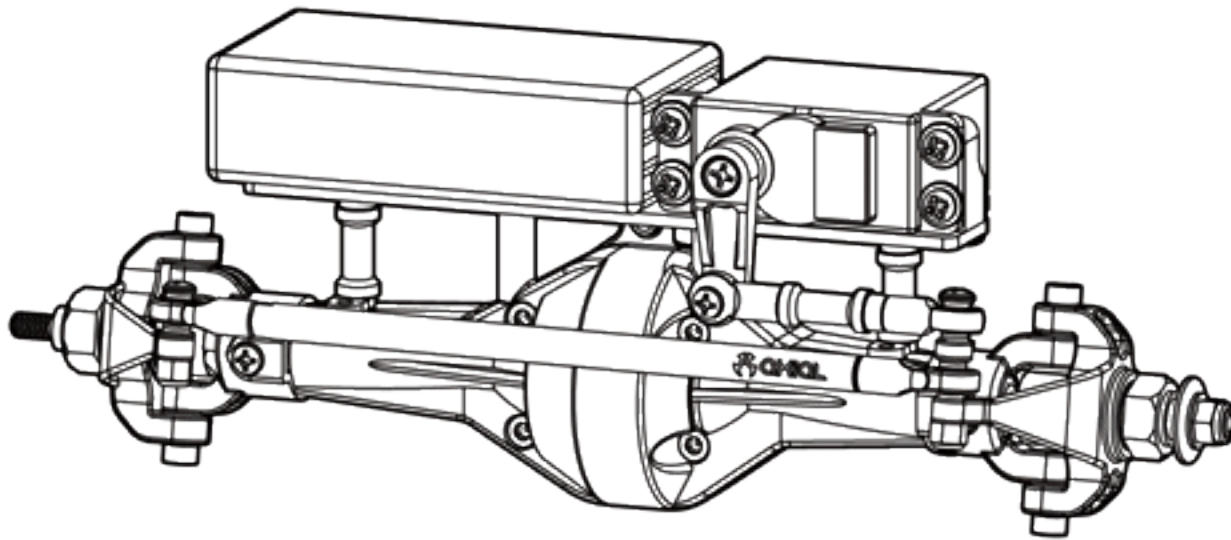
Batteries / Batterien

Optional Battery Mounting

The standard 7.2V stick pack can be mounted on the battery/radio tray as shown in the instructions. However this is not the most ideal mounting place for competitive rock crawling since it places most of the weight higher in the chassis. You can also use smaller packs (LiPo, Lithium Ion, receiver packs, etc.) that offer a much lower weight. Ideally you want the bulk of the weight to be over the front axle. If you plan on competing or simply want to improve the performance of your AX10 Scorpion it is recommended to relocate your batteries over the front axle. You can mount the battery pack on top of the steering servo using Velcro, plastic zip ties, or strapping tape. You can also mount the battery pack using the optional AX10 Scorpion Battery/Servo Plate (AX30486) as shown.

Optionale Akkubefestigung

Der normale 7,2V Stick Pack kann wie beschrieben auf die Elektronik Grundplatte montiert werden. Diese Position ist nicht der idealste Ort, da das Gewicht höher als das Chassis ist. Sie können auch kleinere Packs verwenden (LiPo, Lithium Ion, Empfängerpacks...) die leichter sind. Im Idealfall kommt das Gewicht über die Vorderachse. Wenn Sie ein Rennen mitfahren, oder die Leistung Ihres Wagens optimieren wollen wird empfohlen, die Akkus über die Vorderachse zu montieren. Sie können den Akkupack auf dem Lenkservo mit Klettverschluss, Kabelbinder oder Klebeband montieren. Sie können auch den Akku mit dem Option Part AX30486 nach Bedarf montieren.



visit www.maxamps.com for a complete selection of batteries and chargers specifically for the AX10 Scorpion.

Wheels - Tires / Räder - Ermüdet

The AX10 Scorpion is set up to be competitive right out of the box, however terrain, weather and driving style all affect the performance of the chassis. You can fine tune performance of your AX10 Scorpion by adding weight, trimming the inner foam, and tuning your tires.

Der AX10 Skorpion ist konstruiert, um aus der Schachtel konkurrenzfähig zu sein, jedoch beeinflussen Gelände, Wetter und Fahrstil die Leistung vom Chassis. Sie können die Leistung Ihres AX10 Skorpion durch hinzufügen von Gewichten, Trimmen der Reifeneinlage und der Reifenabstimmung einstellen.

Adding Weight / Addiergewicht

You can add weight to the front axle to improve traction. Most users will use stick on wheel weights that fit inside the tire and mount to the wheel, but you can also use Airsoft pellets or BB's. You will have to experiment to determine how much weight to add.

Sie können an der Vorderachse Gewicht hinzufügen um die Traktion zu verbessern. Die meisten Fahrer verwenden aufsteckbare Rädergewichte die innerhalb des Reifens montiert werden, Sie können aber auch Airsoft Kugeln oder BB's verwenden. Sie werden experimentieren müssen, um zu bestimmen, wieviel Gewicht Sie hinzufügen müssen.

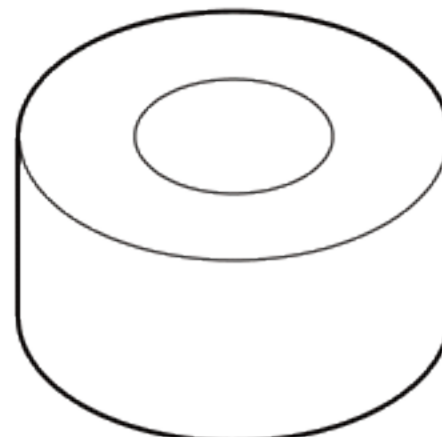


Tire Flex / Reifen Flex

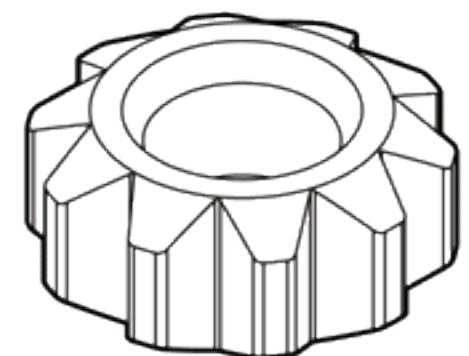
You can adjust the amount of tire flex you get by trimming your inner foam. Visit www.rccrawler.com to see all the choices you have before trimming your inner foams.

Sie können die Eigenschaften des Reifens durch trimmen der Reifeneinlage ändern. Besuchen Sie www.rccrawler.com, um Möglichkeiten für diese Änderung zu sehen, bevor Sie die Einlage bearbeiten.

Standard



Trimmed



Shock Absorbers / Dämpfer

Proper building, maintenance, and tuning of your shocks will enhance the performance of your AX10 Scorpion. Be sure to inspect the shocks regularly for any sign of wear or damage and replace parts as needed. Tune your shocks to enhance the performance of your AX10 Scorpion using the tips provided below.

Ordnungsgemäßer Zusammenbau, Wartung und Abstimmung der Dämpfer wird die Leistung Ihres AX10 Skorpion erhöhen. Prüfen Sie unbedingt regelmäßig die Dämpfer auf Verschleiß und ersetzen Sie die nötigen Teile. Stimmen Sie Ihre Dämpfer ab wie untenstehend beschrieben, um die Leistung des Wagens zu erhöhen.

Shock Oil / Dämpferöl



| Thinner / Dünner | Thicker / Dicker |
|---|--|
| Softer damping More traction Quicker weight transfer Weichere Dämpfung Mehr Griff Schnellere gewichtsverlagerung | Stiffer damping Slower chassis weight transfer Reacts slower to input Härtere Dämpfung Langsamere Gewichtsverlagerung Auto reagiert langsamer auf Steuerbefehle |



Shock Spring / Dämpferfeder / Ressort d'amortisseur

| | | |
|---|--|-------------|
| Softer / Weicher More Chassis Roll Mehr rollbewegung des chassis | | Soft |
| Less Chassis Roll Weniger rollbewegung des chassis Moins de roulis du châssis | | Firm |

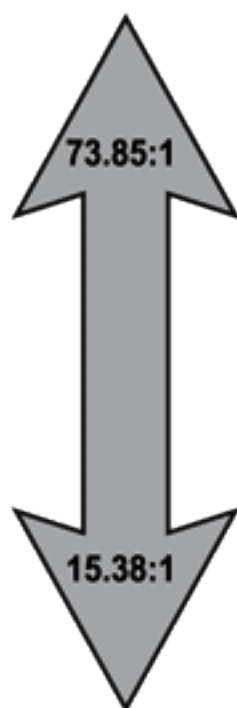
Gear Ratio / Getriebeübersetzung

Use this equation to calculate the final drive ratio.
Final Drive Gear Ratio = 1 / ((pinion/Spur) X .13)

Mit dieser Gleichung können Sie die Gesamtübersetzung berechnen.

Gesamtübersetzung = 1 / ((pinion/Spur) X .13)

Slower - More Torque
 Langsamer - Mehr Kraft



Faster - Less Torque
 Schneller - Weniger Kraft

| | | 48 Pitch | | | | | | | | | |
|--------|-------|----------|-------|-------|-------|-------|-------|-------|-------|-------|-------|
| | | Spur | | | | | | | | | |
| | | 70 | 72 | 75 | 78 | 81 | 85 | 87 | 90 | 93 | 96 |
| Pinion | 10 | | | | | | | | 69.23 | 71.54 | 73.85 |
| | 11 | | | | | | | | 62.94 | 65.03 | 67.13 |
| | 12 | | | | | | | 55.77 | 57.69 | 59.62 | 61.54 |
| | 13 | | | | | | | 51.48 | 53.25 | 55.03 | 56.80 |
| | 14 | | | | | | 46.70 | 47.80 | 49.45 | 51.10 | 52.75 |
| | 15 | | | | | | 43.59 | 44.62 | 46.15 | 47.69 | 49.23 |
| | 16 | | | | | | 40.87 | 44.62 | 43.27 | 44.71 | 46.15 |
| | 17 | | | | | | 36.32 | 39.37 | 40.72 | 42.08 | 43.44 |
| | 18 | | | | | 34.62 | 34.41 | 37.18 | 38.46 | 39.74 | 41.03 |
| | 19 | | | | | 32.79 | 34.41 | 35.22 | 36.44 | 37.65 | 38.87 |
| | 20 | | | | | 31.15 | 32.69 | 33.46 | 34.62 | 35.77 | 36.92 |
| | 21 | | | | 28.57 | 29.67 | 31.14 | 31.87 | 32.97 | 34.07 | 35.16 |
| | 22 | | | | 27.27 | 28.32 | 29.72 | 30.42 | 31.47 | 32.52 | 33.57 |
| | 23 | | | | 26.09 | 27.09 | 28.43 | 29.10 | 30.10 | 31.10 | 32.11 |
| | 24 | | | 24.04 | 25.00 | 25.96 | 27.24 | 27.88 | 28.85 | 29.81 | 30.77 |
| | 25 | | | 23.08 | 24.00 | 24.92 | 26.15 | 26.77 | 27.69 | 28.62 | 29.54 |
| | 26 | | | 22.19 | 23.08 | 23.96 | 25.15 | 25.74 | 26.63 | 27.51 | 28.40 |
| | 27 | | 20.51 | 21.37 | 22.22 | 23.08 | 24.22 | 24.79 | 25.64 | 26.50 | 27.35 |
| | 28 | | 19.78 | 20.60 | 21.43 | 22.25 | 23.35 | 23.90 | 24.73 | 25.55 | 26.37 |
| | 29 | 18.57 | 19.10 | 19.89 | 20.69 | 21.49 | 22.55 | 23.08 | 23.87 | 24.67 | 25.46 |
| 30 | 17.95 | 18.46 | 19.23 | 20.00 | 20.77 | 21.79 | 22.31 | 23.08 | 23.85 | 24.62 | |
| 31 | 17.37 | 17.87 | 18.61 | 19.35 | 20.10 | 21.09 | 21.59 | 22.33 | 23.08 | 23.82 | |
| 32 | 16.83 | 17.31 | 18.03 | 18.75 | 19.47 | 20.43 | 20.91 | 21.63 | 22.36 | 23.08 | |
| 33 | 16.32 | 16.78 | 17.48 | 18.18 | 18.88 | 19.81 | 20.28 | 20.98 | 21.68 | 22.38 | |
| 34 | 15.84 | 16.29 | 16.97 | 17.65 | 18.33 | 19.23 | 19.68 | 20.36 | 21.04 | 21.72 | |
| 35 | 15.38 | 15.82 | 16.48 | 17.14 | 17.80 | 18.68 | 19.12 | 19.78 | 20.44 | 21.10 | |

Parts List

| Part # | Description | Part # | Description |
|---------|--|---------|--|
| AX30031 | Antenna | AX80044 | Axial SCX10 Tube Bumper Parts Tree |
| AX30041 | Velcro Strap 15x160mm | AX80045 | LED Light Holder Set A |
| AX30146 | Shock Shaft 3x50 (2pcs) | AX80046 | 1/10th Scale Truggy Bed Set |
| AX30162 | Pin 1.5x8mm (6pcs.) | AX80049 | LED Lens Set - Clear |
| AX30163 | Pin 2.0x10 (6pcs.) | AX8088 | 1.9 8 Hole Beadlocks (Satin Chrome) |
| AX30190 | Shaft 5x18 (2pcs.) | AX8122 | Axial 1.9 Beadlock Ring - Grey (2pcs) |
| AX30198 | Slipper Drive gear Shaft 5x53.5 | AX8127 | Axial 1.9 Rock Beadlock Ring - Grey (2pcs) |
| AX30200 | Spring 12.5x20mm 3.6 lbs/in - Super Soft (Red) | AXA013 | M2x6mm Cap Head (Black Oxide) |
| AX30207 | Spring 12.5x40mm 4.08 lbs/in - Medium (Green) | AXA015 | M2x10mm Cap Head (Black Oxide) |
| AX30366 | Axle 5x35mm | AXA083 | M3x6mm Cap Head (Black Oxide) |
| AX30380 | Metal Driveshaft Yoke Set (2pcs) | AXA085 | M3x10mm Cap Head (Black Oxide) |
| AX30385 | Diff Gasket 16x25x0.5mm (2pcs) | AXA087 | M3x16mm Cap Head (Black Oxide) |
| AX30392 | Bevel Gear Set (38/13) | AXA088 | M3x20mm Cap Head (Black Oxide) |
| AX30394 | 20T Drive Gear | AXA089 | M3x25mm Cap Head (Black Oxide) |
| AX30404 | Outdrive Shaft (2pcs) | AXA1040 | M3 Thin Hex Nut (BLACK) |
| AX30405 | Input Shaft 5x28mm (2pcs) | AXA1045 | M4 Nylon Lock Nut (Black) |
| AX30410 | Inner Slipper Plate | AXA1053 | M3 Nylon Locking Hex Nut (BLACK) |
| AX30411 | Outer Slipper Plate | AXA1059 | 6mm Body clip (Black) |
| AX30412 | Slipper pad 27x8x1mm | AXA1070 | Washer 3x6x0.5 |
| AX30413 | Slipper spring 8.5x12 165 lbs/in - Black (2pcs) | AXA1071 | Washer 4x8x0.5mm |
| AX30420 | Solid Axle Dogbone 6x74mm | AXA1091 | Washer 5x10x.5 (Black) (10pcs) |
| AX30421 | Straight Axle 6x104.50mm (2pcs) | AXA1105 | Cone Washer 3x6.9x2mm |
| AX30427 | Axial Narrow 12mm Aluminum Hub - Black (4pcs) | AXA1163 | O-Ring 7x1mm |
| AX30450 | Flange Pipe 3x4.5x5.5 (4pcs.) | AXA117 | M3x15mm Hex Socket Button Head (Black) (10pcs) |
| AX30483 | AX10 Scorpion Radio Plate | AXA1179 | O-Ring 2.5x1.5mm (10pcs) |
| AX30485 | AX10 Scorpion Servo Plate | AXA118 | M3x18mm Hex Socket Button Head - Black (10pcs) |
| AX30491 | AX10 RTR Motor Plate | AXA119 | M3x20mm Hex Socket Button Head (Black) (10pcs) |
| AX30499 | Transmission Spacer 5x6.9x4.8mm - Grey (2pcs) | AXA120 | M3x25mm Hex Socket Button Head (Black) (10pcs) |
| AX30500 | Heavy Duty Locker (2pcs) | AXA1218 | Bearing 5x10x4mm |
| AX30502 | SCX10 Chassis Rail Set (2pcs) | AXA1221 | Bearing 5x11x4mm |
| AX30516 | Threaded Aluminum Pipe 6x106mm - Grey (2 pcs.) | AXA1225 | Bearing 8x16x5mm |
| AX30517 | Threaded Aluminum Pipe 6x33mm - Grey (2pcs.) | AXA1230 | Bearing 10x15x4mm |
| AX30518 | Threaded Aluminum Pipe 6x98mm - Grey (2pcs.) | AXA1280 | M3x10mm Servo Flange Screw |
| AX30530 | Front Skid Plates - Tube Style Bumper - Silver Aluminum (3pcs) | AXA1327 | 7.5x6mm Spacer - Grey (6pcs) |
| AX30572 | Pinion 48DP 14T | AXA1358 | Shock Damper 3x7x8 (10pcs) |
| AX30672 | Spur 48DP 87T | AXA1392 | E2 e-clip (10pcs) |
| AX80002 | Diff Case -Small | AXA1393 | E2.5 e-clip (10pcs) |
| AX80003 | Solid Axle Set | AXA1414 | 2x6mm Spacer - Grey |
| AX80004 | Hub Set | AXA1416 | 4x6mm Spacer - Grey |
| AX80005 | Linkage Set | AXA1421 | 7x20mm Post - Grey (2pcs) |
| AX80006 | Servo Set | AXA1429 | 7x60mm Post - Grey (2pcs) |
| AX80009 | Transmission Set | AXA144 | M3x8mm Hex Socket Flat Head (Black) (10pcs) |
| AX80010 | Gear Set | AXA176 | Screw Shaft M3x2.5x13mm (10pcs) |
| AX80011 | Drive Shaft Set | AXA180 | M3x3mm Set Screw (Black Oxide) (10pcs) |
| AX80012 | C Hub Carrier Set | AXA186 | M3x16mm Set Screw (Black Oxide) |
| AX80015 | 3 Link Connector | AXA1260 | M2.5x12mm Hex Socket Tapping Flat Head (Black) (10pcs) |
| AX80018 | Hardware Parts Tree | AXA433 | M3x6mm Hex Socket Tapping Button Head (Black) (10pcs) |
| AX80020 | Straight Axle Adapter Parts Tree | AXA434 | M3x8mm Hex Socket Tapping Button Head (Black) (10pcs) |
| AX80025 | SCX10 Shock Hoops Parts Tree | AXA435 | M3x10mm Hex Socket Tapping Button Head (Black) (10pcs) |
| AX80026 | SCX10 Frame Brace Set | AXA436 | M3x12mm Hex Socket Tapping Button Head (Black) (10pcs) |
| AX80027 | SCX10 Battery Tray Holder | AXA438 | M3x18mm Hex Socket Tapping Button Head (Black) (10pcs) |
| AX80028 | SCX10 Radio Box Parts Tree | AXA441 | M3x30mm Hex Socket Tapping Button Head (Black) (10pcs) |
| AX80029 | Shock Cap Parts Tree | AXA463 | M3x6mm Hex Socket Tapping Flat Head (Black) (10pcs) |
| AX80030 | 61-90 Shock Body Set | AXA464 | M3x8mm Hex Socket Tapping Flat Head (Black) (10pcs) |
| AX80031 | Body Mount Parts Tree | AXA465 | M3x10mm Hex Socket Tapping Flat Head (Black) (10pcs) |
| AX80032 | Shock Parts | | |
| AX80041 | 1/10th Scale Rock Rails Set (2pcs) | | |

| Part # | Description | Part # | Description |
|----------|---|---------------------------------------|---|
| AX4025R | Axial Trail Honcho Truck Body - .040" uncut (Clear) - Body Only | AX8089 | Axial 1.9 8 Hole Beadlocks - Black Chrome (2pcs) |
| AX24004 | Axial 27T Electric Motor | AX8119 | Axial 1.9 Beadlock Ring - Green (2pcs) |
| AX24007 | Axial 55T Electric Motor | AX8120 | Axial 1.9 Beadlock Ring - Blue (2pcs) |
| AX24250 | AE-1 Forward/Reverse ESC | AX8121 | Axial 1.9 Beadlock Ring - Red (2pcs) |
| AX24251 | Axial NVS - Night Visions System | AX8122 | Axial 1.9 Beadlock Ring - Grey (2pcs) |
| AX24252 | Axial Double LED Light String (White LED) | AX8123 | Axial 1.9 Beadlock Ring - Orange (2pcs) |
| AX24253 | Axial Double LED Light String (Red LED) | AX8124 | Axial 1.9 Rock Beadlock Ring -Green (2pcs) |
| AX24254 | Axial Double LED Light String (Orange LED) | AX8125 | Axial 1.9 Rock Beadlock - Blue (2pcs) |
| AX24255 | Axial Single LED Light String (White LED) | AX8126 | Axial 1.9 Rock Beadlock Ring - Red (2pcs) |
| AX24256 | Axial 5 LED Light String (White LED) | AX8127 | Axial 1.9 Rock Beadlock Ring - Grey (2pcs) |
| AX24257 | Simple LED Controller w/LED lights (4 white and 2 Red) | AX8128 | Axial 1.9 Rock Beadlock Ring - Orange (2pcs) |
| AX30200 | Spring 12.5x20mm 3.6 lbs/in - Super Soft (Red) - (2pcs) | AXA091 | M3x30mm Cap Head - Black (10pcs) |
| AX30201 | Spring 12.5x20mm 4.32 lbs/in - Soft (White) - (2pcs) | AXA1105 | Cone Washer 3x6.9x2mm - Grey (6pcs) |
| AX30202 | Spring 12.5x20mm 5.44 lbs/in - Medium (Green) - (2pcs) | AXA1163 | M3x12mm Hex Socket Button Head - Black (10pcs) |
| AX30203 | Spring 12.5x20mm 6.53 lbs/in - Firm (Yellow) - (2pcs) | AXA118 | M3x18mm Hex Socket Button Head - Black (10pcs) |
| AX30204 | Spring 12.5x20mm 7.95 lbs/in- Super Firm (Blue) - (2pcs) | AXA1331 | Flanged Ball 3x5.8x7mm (6pcs) |
| AX30205 | Spring 12.5x40mm 2.7 lbs/in - Super Soft (Red) - (2pcs) | AXA1412 | 0.5x6mm Spacer - Grey (6pcs) |
| AX30206 | Spring 12.5x40mm 3.6 lbs/in - Soft (White) - (2pcs) | AXA1413 | 1x6mm Spacer - Grey (6pcs) |
| AX30207 | Spring 12.5x40mm 4.08 lbs/in - Medium (Green) - (2pcs) | AXA1414 | 2x6mm Spacer - Grey (6pcs) |
| AX30208 | Spring 12.5x40mm 5.44 lbs/in - Firm (Yellow) - (2pcs) | AXA1415 | 3x6mm Spacer - Grey (6pcs) |
| AX30209 | Spring 12.5x40mm 6.81 lbs/in- Super Firm (Blue) - (2pcs) | AXA1416 | 4x6mm Spacer - Grey (6pcs) |
| AX30395 | Heavy Duty Bevel Gear Set | AXA1417 | 5x6mm Spacer - Grey (6pcs) |
| AX30460 | AX10 Scorpion Universal Joint Axle (2pcs) | AXA1418 | 6x6mm Spacer - Grey (6pcs) |
| AX30461 | AX10 Scorpion Universal Joint Axle Shaft (2pcs) | AXA1419 | 7x10mm Post - Grey (2pcs) |
| AX30462 | AX10 Scorpion Universal Joint Rebuild kit (2pcs) | AXA1420 | 7x15mm Post - Grey (2pcs) |
| AX30464 | AX10 Scorpion Universal Set (2pcs) | AXA1421 | 7x20mm Post - Grey (2pcs) |
| AX30490 | AX10 Scorpion Outrunner Motor Plate | AXA1422 | 7x25mm Post - Grey (2pcs) |
| AX30492 | AX10 Scorpion Rear Steer Kit | AXA1423 | 7x30mm Post - Grey (2pcs) |
| AX30494 | Aluminum Rear Axle Lockout (2pcs) | AXA1424 | 7x35mm Post - Grey (2pcs) |
| AX30495 | Aluminum C Hub Carrier - Black (2pcs) | AXA1425 | 7x40mm Post - Grey (2pcs) |
| AX30496 | Aluminum Knuckle - Black (2pcs) | AXA1426 | 7x45mm Post - Grey (2pcs) |
| AX30578 | Pinion 48DP 20 T | AXA1427 | 7x50mm Post - Grey (2pcs) |
| AX4000 | Axial War Wagon Truck Body .060 Pre-Cut Clear | AXA1428 | 7x55mm Post - Grey (2pcs) |
| AX4001 | Axial Baja Buzzard Truck Body .060 Pre-Cut Clear | AXA1429 | 7x60mm Post - Grey (2pcs) |
| AX4002 | Axial Diablo Truck Body .060 Pre-Cut Clear | AXA1430 | 7x65mm Post - Grey (2pcs) |
| AX4004 | B-17 Betty Truck Body (Clear) | AXA1431 | 7x70mm Post - Grey (2pcs) |
| AX4007 | B-17 Betty Truck Body .040"-uncut (Clear) | AXA176 | Screw Shaft M3x2.5x13mm (10pcs) |
| AX4008 | Axial Baja Buzzard Truck Body - .040" (Clear) | AXA443 | M3x6mm Tapping Hex Socket Button Head - Black (10pcs) |
| AX4010 | Axial Dingo Truck Body - .040" uncut (Clear) | AXA669 | M3x20mm Binder Head - Black (10pcs) |
| AX4010R | Axial Dingo Truck Body - .040" uncut (Clear) - Body Only | Pro-Line Tires and Memory Foam | |
| AX4014 | Axial XC-1 Rock Crawler Body - .040" (clear) | 1157 | Pro-Line 1.9 Tire - M2 Compound |
| AX4016 | 34 Rat Rod Truck (Clear) | | |
| AX4017 | Axial Baja Buzzard Truck Body - .040" (Pre-printed) - Green | | |
| AX4018 | Axial Baja Buzzard Truck Body - .040" (Pre-printed) - Orange | | |
| AX4019 | Axial Baja Buzzard Truck Body - .040" (Pre-printed) - Blue | | |
| AX4023 | Axial Body Stiffeners | | |
| AX80039A | 1/10th Scale Front Plate Bumper Set | | |
| AX80039B | 1/10th Scale Rear Plate Bumper Set | | |
| AX80040 | 1/10th Scale Fender Flare Set | | |
| AX80041 | 1/10th Scale Rock Rails Set | | |
| AX80042 | 1/10th Scale Roll Cage | | |
| AX80043 | SCX10 RTR Links Parts Tree | | |
| AX8078 | Axial Hub Cover Set - White (4pcs) | | |
| AX8079 | Axial Hub Cover Set - Black (4pcs) | | |
| AX8080 | Axial Hub Cover Set - Satin Chrome (4pcs) | | |
| AX8081 | Axial Hub Cover Set - Black Chrome (4pcs) | | |
| AX8087 | Axial 1.9 8 Hole Beadlocks - Black (2pcs) | | |
| AX8088 | Axial 1.9 8 Hole Beadlocks - Satin Chrome (2pcs) | | |

Warranty Info

Axial Limited Warranty (USA)

Your Axial product is warranted to be free of defects in materials and workmanship when new. This warranty does not cover damages due to normal wear and tear, user's failure to perform routine maintenance, user error of assembly or installation, user modifications, addition of aftermarket parts or option parts. This warranty lasts as long as the original purchaser owns the product, and is not transferable (Verified by dated itemized sales receipt). In the event of a defect under this warranty, Axial will, at our discretion, repair or replace the product, provided our inspection indicates that an original defect exists. Axial reserves the right to replace any product which is no longer available with a product of comparable value and function. If Axial determines the repair is not covered under warranty guidelines, there could be a charge applied for the repair and return shipping charges.

International Customers Warranty

Please return product to the dealer where the purchase was made. If your Axial product purchase was made through an on-line retailer, any warranty issues must be taken care of by that retailer. Axial assumes no responsibility for Axial products sold internationally by on-line retailers.

Service

If you need service on your Axial product here are some simple steps to follow when sending in product in for Warranty/ Repair.

STEP 1:

Contact Axial Customer Service at 949-600-8642 Ext: 206 to receive a Return Merchandise Number (RMA#). **Note:** Axial requires the RMA# to be placed on the return merchandise box when shipped to Axial.

STEP 2:

Please write a short note explaining the issue you experienced with the product.

STEP 3:

Include your return address with a daytime phone number and /or e-mail address.

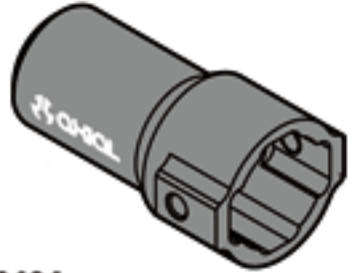
STEP 4:

Please include a Money Order in the amount \$10.00 made payable to Axial for return shipping costs although If product is found to be under Axial Warranty coverage, the \$10.00 will be refunded to you.

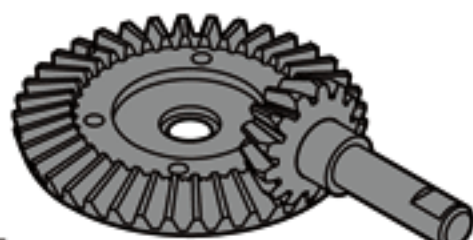
PLEASE NOTE: Tuning issues are not covered under the Axial Warranty and shipping fee's do apply.

Please allow 5-10 working days for product to be returned. Axial ships using United Postal Service Priority mail or UPS Ground. Any expedited shipping must be arranged and prepaid by customer. Axial will not be responsible for lost or damaged packages.

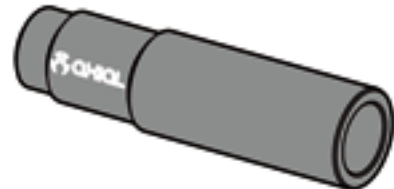
Option Parts



AX30494
Aluminum Straight Axle Adapter




AX30395
Heavy Duty Bevel Gear Set




AX30117
Aluminum Shock Body 10x38mm




AX30114
Aluminum Shock Reservoir-SCX10



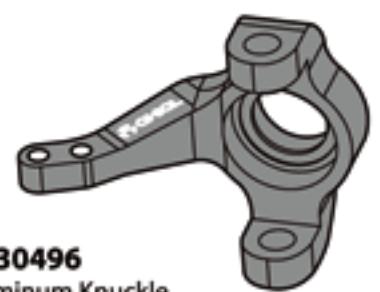
AX30501
Driveshaft ring w/setscrews



AX30495
ALuminum C Hub Carrier



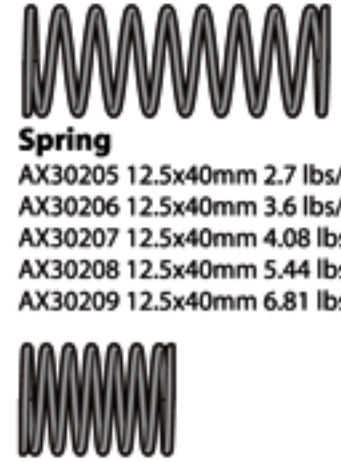
AX30115
10mm Aluminum Preload Collar



AX30496
Aluminum Knuckle




AX30482
AX10 Scorpion Motor Plate




Spring
 AX30205 12.5x40mm 2.7 lbs/in - Super Soft (Red)
 AX30206 12.5x40mm 3.6 lbs/in - Soft (White)
 AX30207 12.5x40mm 4.08 lbs/in - Medium (Green)
 AX30208 12.5x40mm 5.44 lbs/in - Firm (Yellow)
 AX30209 12.5x40mm 6.81 lbs/in - Super Firm (Blue)


Spring
 AX30200 12.5x20mm 3.6 lbs/in - Super Soft (Red)
 AX30201 12.5x20mm 4.32 lbs/in - Soft (White)
 AX30202 12.5x20mm 5.44 lbs/in - Medium (Green)
 AX30203 12.5x20mm 6.53 lbs/in - Firm (Yellow)
 AX30204 12.5x20mm 7.95 lbs/in - Super Firm (Blue)



AX30464
AX10 Scorpion Universal Joint



AX30484
Transmission Spacer **x1**



AXA1307
7.5x6mm Spacer **x3**



axial



T-SHIRTS, HATS, BEANIES, AND MORE....

EVERYBODY NEEDS CLOTHES

MODEL "EXPENSIVE COOKIE" (ALTERED "CREST" SHIRT NOT AVAILABLE)

SIZES FROM SML TO XXL

Visit www.axialracing.com
for sizes and more info