


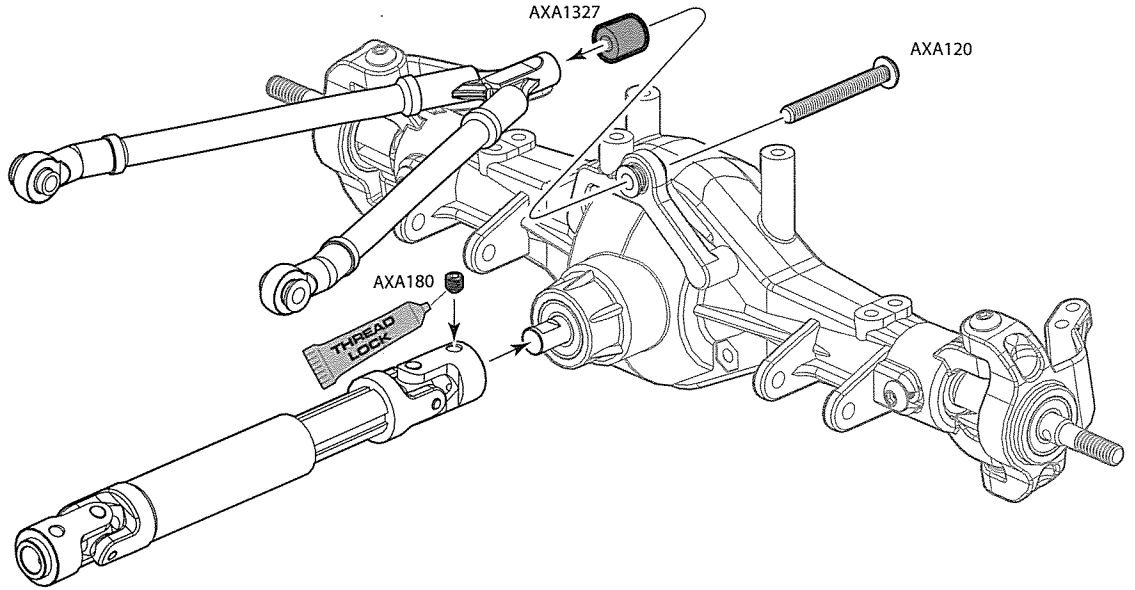


15

Page 16

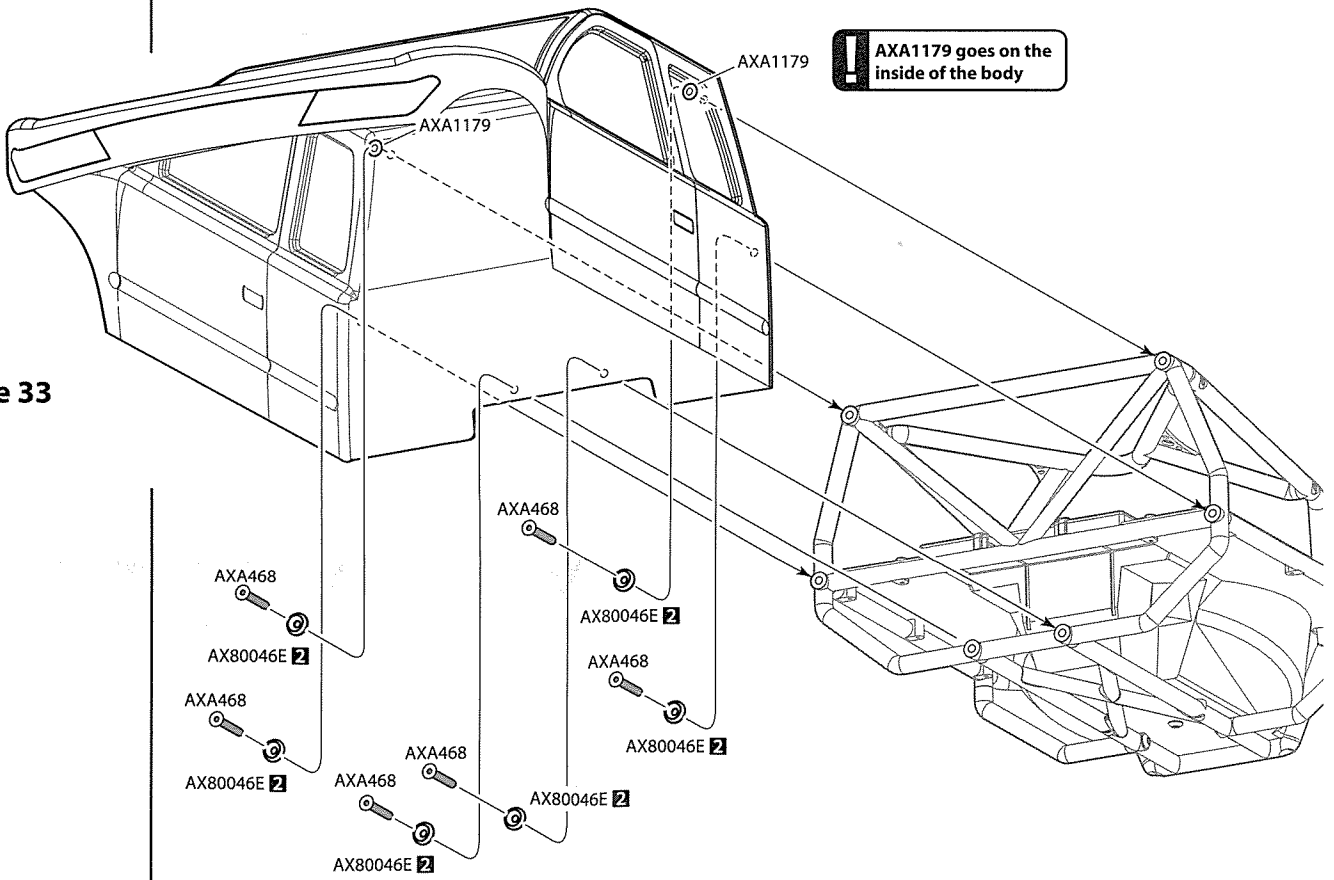


AXA1327
 7.5x6mm **x1**
 (Replace AXA1419 with AXA1327)


AXA120
 M3x25mm Hex Socket Button Head **x1**



51

Page 33



! AXA1179 goes on the inside of the body