



# X-RAW

1/10TH SCALE | ELECTRIC | 4WD | MOTOR-ON-AXLE | COMPETITION ROCK CRAWLER



 **axial**®



## CAUTIONS



To prevent serious personal injury and/or property damage, operate all remotely controlled models in a responsible manner as outlined herein.

### CHOOSE THE RIGHT PLACE TO OPERATE YOUR R/C MODEL.

- Do not run on public streets or highways. This could cause serious accidents, personal injuries, and/or property damage.
- Never run R/C models near people or animals.
- To avoid injury, do not run in confined spaces.
- Do not run where loud noises can disturb others, such as hospitals and residential areas.
- Never run indoors. There is a high risk of fire and/or damage.

### INSPECT YOUR MODEL BEFORE OPERATION.

- Make sure that all screws and nuts are properly tightened. It is also a good idea to use removable thread lock wherever metal screws go into metal, especially for engine mounts and the engine pilot shaft.
- Always use fresh batteries for your transmitter and for your receiver to avoid losing control of the model.
- Always test the brakes and throttle before starting your engine to avoid losing control of the model.
- Make sure no one else is using the same radio frequency as you are using.

### AFTER OPERATION OF YOUR R/C MODEL

- Turn off receiver first, then turn off transmitter, this will prevent runaways.
- Be careful when handling batteries, they will be hot after running.
- Replace any batteries that have been dented or have frayed wires, short circuits can cause fire.
- Be sure to keep your R/C model clean and free of excess dirt and grease, this will increase the life.

## VORSICHT!



Um Verletzungen an Personen und/oder Sachschäden zu vermeiden, sollten alle ferngesteuerten Modelle sorgfältig und verantwortungsbewusst bedient werden, wie nachfolgend beschrieben.

### Wählen Sie den richtigen Platz zum Fahren

- Fahren Sie niemals auf öffentlichen Straßen. Dies könnte Verkehrsunfälle, Personen schäden oder Sachschäden verursachen.
- Fahren Sie niemals in der Nähe von anderen Personen oder Tieren.
- Fahren Sie niemals auf belebten Straßen.
- Fahren Sie nie in der Nähe von Wohnhäusern oder Krankenhäusern. Der Lärm könnte andere Personen stören.
- Fahren Sie niemals in Innenräumen. Dort könnte etwas beschädigt werden.

### Überprüfen Sie Ihr Modell, bevor Sie es in Betrieb nehmen.

- Gehen Sie sicher, dass alle Schrauben und Muttern festgezogen sind. Verwenden Sie überall dort Schrauben-Sicherungslack, wo Metallschrauben in ein Metallgewinde greifen, besonders bei den Motorhaltern.
- Um Störungen zu vermeiden, benutzen Sie immer voll geladene Akkus in Ihrem Sender und Empfänger.
- Bevor Sie den Motor starten, sollten Sie immer die Funktion der Bremse und des Gashebels testen.
- Gehen Sie sicher, dass niemand mit der gleichen Frequenz fährt wie Sie.

### Nach Betrieb des RC Modells:

- Zuerst den Empfänger abdrehen, dann den Sender abdrehen um unkontrolliertes Durchgehen zu vermeiden.
- Seien Sie vorsichtig mit gebrauchten Akkus, sie können nach dem Gebrauch heiß sein.
- Ersetzen Sie Akkus/Batterien die beschädigt sind oder schadhafte Kabel aufweisen, sie können Kurzschlüsse oder Feuer verursachen.
- Halten Sie Ihr Fahrzeug sauber und entfernen Sie Schmutz und Schmierfett, damit erhöhen Sie die Lebensdauer Ihres Modells.

## PRECAUTIONS



Afin d'éviter toutes blessures corporelles et/ou dommages environnants, veuillez procéder en toute responsabilité comme indiqué ci-dessous

### Choisir le lieu adéquat pour faire rouler votre modèle.

- Ne jamais rouler dans les rues ou sur les routes ouvertes au publique. Ceci peut provoquer de graves accidents.
- Ne jamais rouler près de personnes ou d'animaux.
- Pour éviter les blessures, ne pas rouler dans des espaces confinés.
- Ne jamais rouler où le bruit peut déranger, comme aux abords des hôpitaux ou des quartiers résidentiels.
- Ne jamais rouler à l'intérieur: les gaz d'échappement sont nocifs.

### Controler votre modèle avant chaque utilisation.

- Vérifier que les vis et les écrous sont bien serrés. Il est très fortement conseillé d'utiliser du frein filet pour bloquer les vis qui sont en contact avec du métal et tout particulièrement les vis du moteur.
- Toujours utiliser des batteries bien chargées pour l'émission et la réception.
- Toujours vérifier les freins et la commande des gaz avant de démarrer.
- Vérifier qu'aucune autre personne n'utilise votre fréquence radio.

### Après l'Opération De Votre Modèle de R/C

- Le virage du récepteur premier, alors virage de l'émetteur, ceci empêchera des fugitifs.
- Faire attention en contrôlant des piles, ils auront chaud après avoir couru.
- Remplacer n'importe quelles piles qui ont été cabossées ou a éraillé des fils, les court-circuits peuvent causer le feu.
- Etre sûr de garder votre modèle de R/C nettoie et libère de terre et la graisse supplémentaires, ceci augmentera la vie.

**Equipment needed / Benötigtes Zubehör / Equipement nécessaire**

**Radio Gear / Fernsteueranlage / Equipement Radio**

**Radio control system**

• You will need a 2-Channel radio system with one servo, receiver, an electronic speed control with an ON/OFF switch.

**Fernsteueranlage**

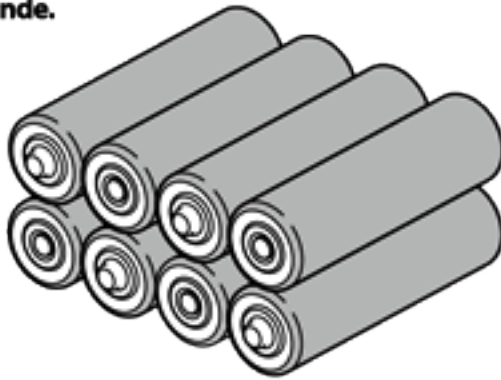
• Sie werden ein 2-kanal Radio System mit einem Servo, Empfänger, eine elektronische Geschwindigkeitssteuerung mit einem Netzschalter brauchen.

**Ensemble radiocommande**

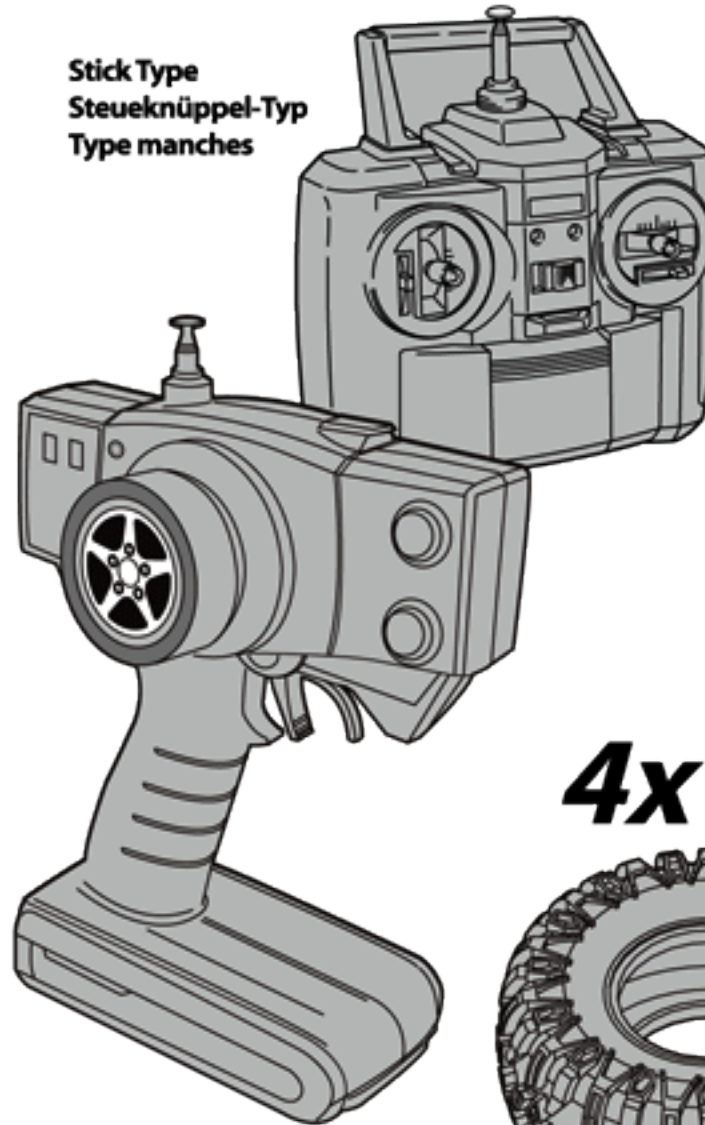
• Vous aurez besoin d'un système de radio de 2 Chaines avec un servo, le récepteur, un contrôleur de vitesse électronique avec un interrupteur(on-off).

- 8AA Alkaline Dry Batteries.
- 8 St. AA Trockenbatterien.
- 8 piles type R6 pour votre radio commande.

**8x**

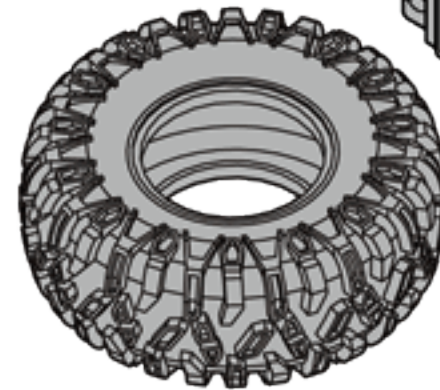


Stick Type  
Steueknüppel-Typ  
Type manches



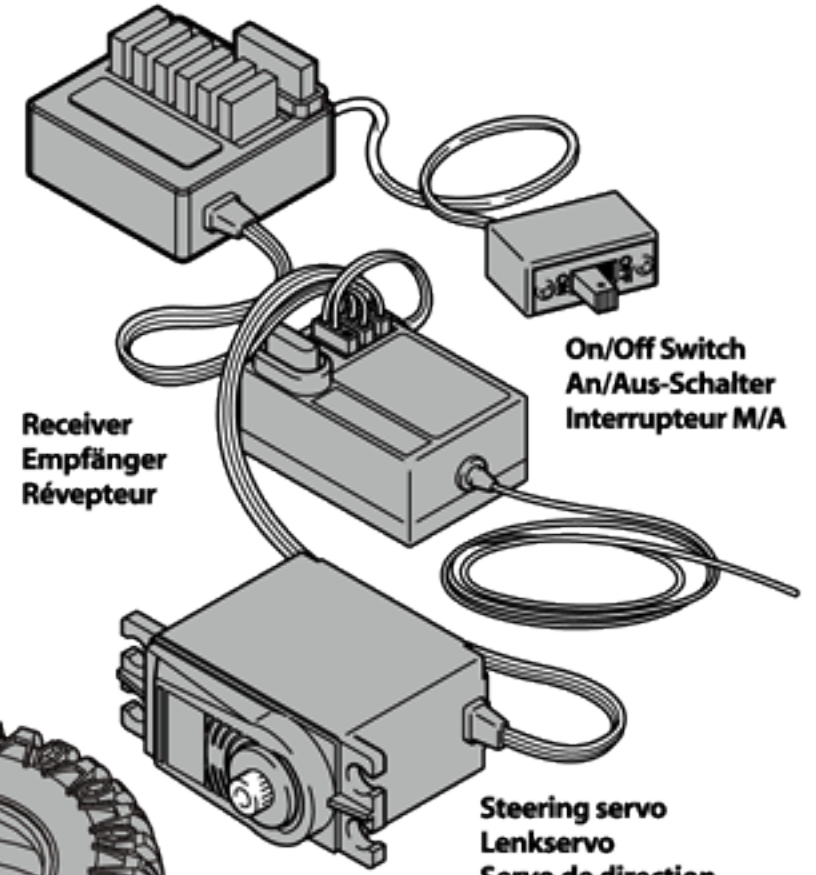
Wheel & Trigger Type  
Pistolen-Griff Typ  
Type Volant et gachette

**4x**



Tires  
Reifen  
Pneus

Electronics Speed Control with Dual Motor Capabilities  
Electronics Speed Control  
Elektrischer Fahrtenregler  
Contrôleur de Vitesse électronique



Receiver  
Empfänger  
Récepteur

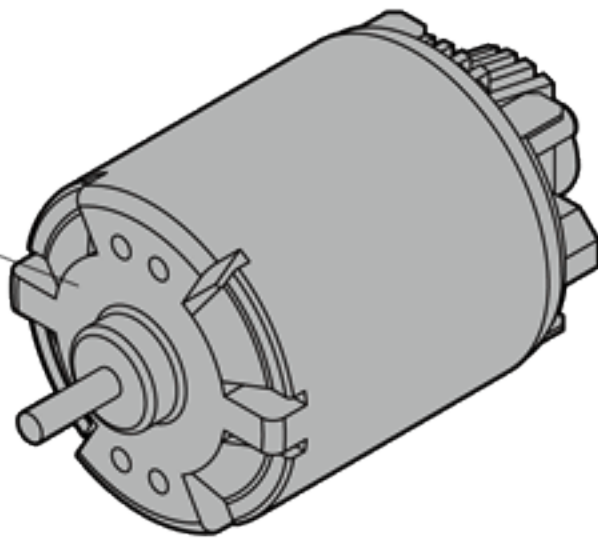
On/Off Switch  
An/Aus-Schalter  
Interrupteur M/A

Steering servo  
Lenkservo  
Servo de direction

**Motor / Motoren / Moteur**

540 Size

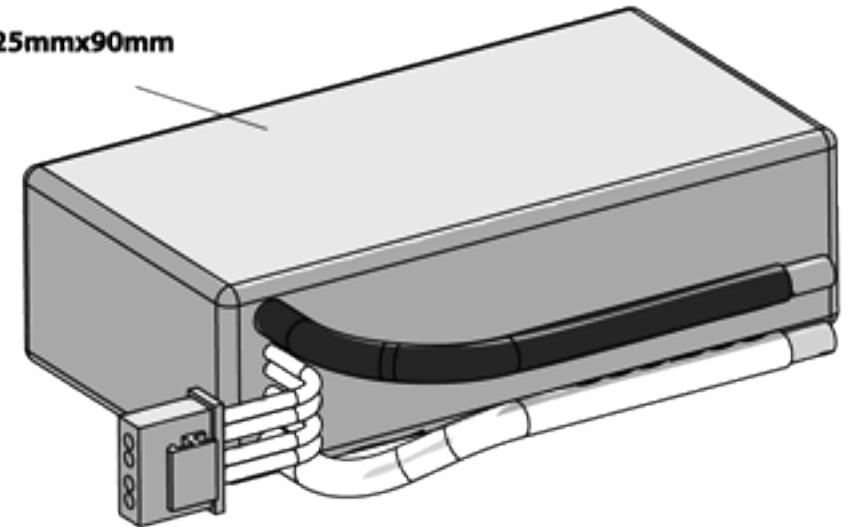
**2x**



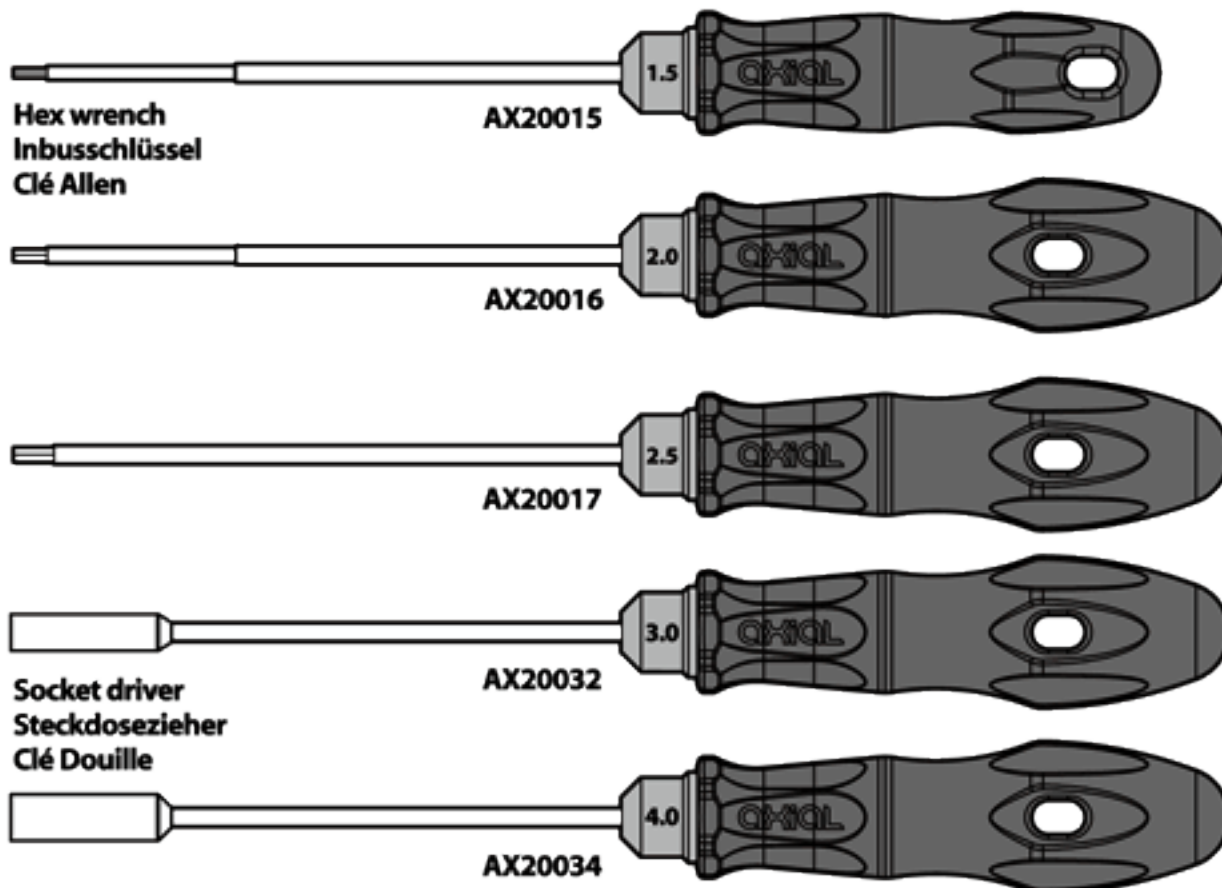
**Battery / Akku / Batterie**

**Battery / Akku / Batterie**

Battery :  
Maximum size 30mmx25mmx90mm



**Tools Recommended / Benötigte Werkzeuge / Outillage**



Hex wrench  
Inbusschlüssel  
Clé Allen

AX20015

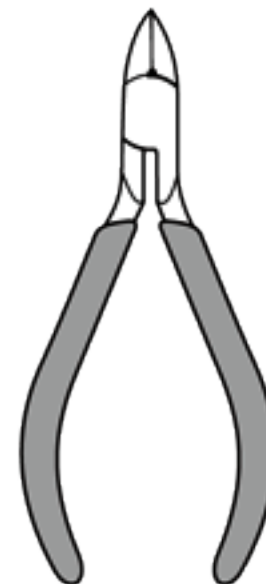
AX20016

AX20017

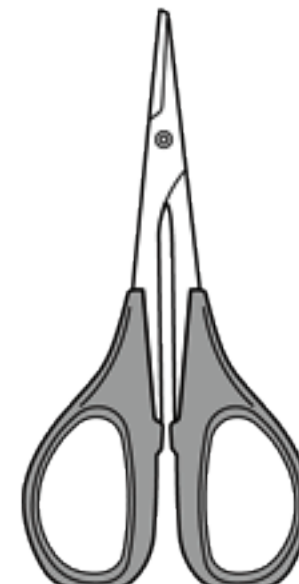
AX20032

AX20034

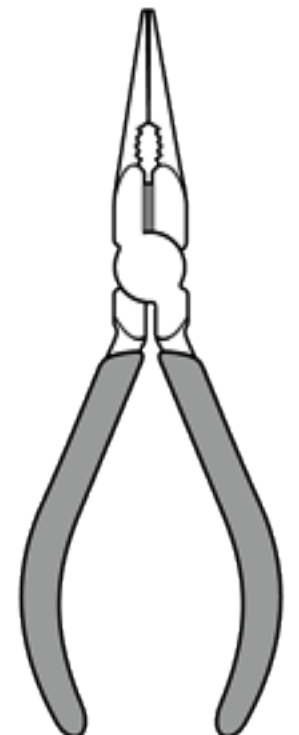
Socket driver  
Steckdosezieher  
Clé Douille



Side cutter  
Seitenschneider  
Pincés coupantes



Curved scissors  
Schere  
Ciseaux



Long nose pliers  
Flachzange  
Pincés à becs longs

Modeling knife  
Modelliermesser  
Couteau de modéliste





**AX30112**  
Shock Diaphragm 13x4.5mm **x4**



**AX30113**  
Rubber Bump Stop 3.6x7x4 **x4**



**AX30120**  
Aluminum Shock Body 12x47.5mm **x4**



**AX30155**  
Shock Shaft 3x59.5 **x4**



**AX30163**  
Pin 2x10mm **x4**



**AX30168**  
Pin 2x8mm **x6**



**AX30195**  
5x49mm Gear Shaft **x1**



**AX30196**  
5x58mm Gear Shaft **x1**



**AX30218**  
Spring 14x70mm 2.07 lbs/in - Super Soft **x4**



**AX30429**  
12mm Locking Hub **x4**



**AX30438**  
10mm Machined Piston **x4**



**AX30561**  
XR10 Chassis Shock Mounts **x4**



**AX30714**  
Threaded Aluminum Pipe 7x73mm **x2**



**AX30720**  
Threaded aluminum Pipe 7x94mm **x2**



**AX30758**  
Straight Axle Shaft Rear 110mm **x1**



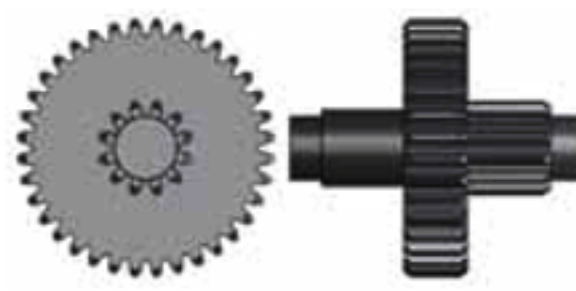
**AX30759**  
Straight Axle Shaft Rear 117mm **x1**



**AX30551**  
22T-48P Drive Gear **x2**



**AX30552**  
36T-48P Final Gear **x2**



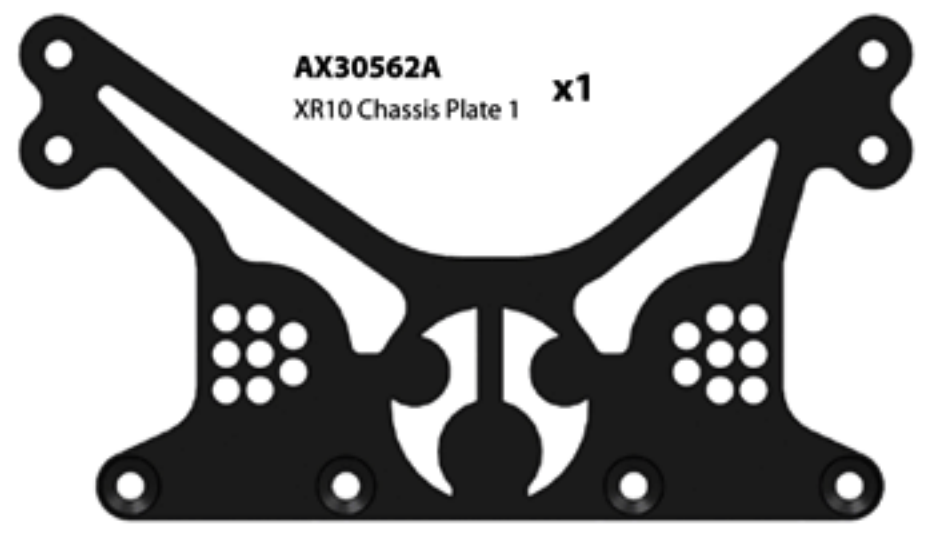
**AX30554**  
12T-48P Stepped Gear **x2**



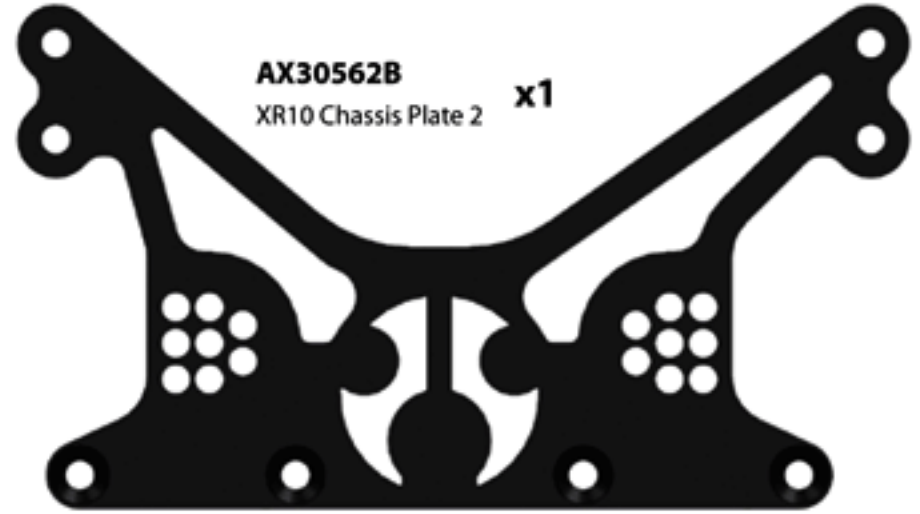
**AX30555**  
36T-48P Idler Gear **x4**



**AX30556**  
12T-48P Transfer Gear **x2**



**AX30562A**  
XR10 Chassis Plate 1 **x1**



**AX30562B**  
XR10 Chassis Plate 2 **x1**



**AX30557**  
Gear Case Plate 3mm **x2**



**AX30558**  
XR10 Steering Servo Plate **x1**



**AX30560**  
XR10 Steering Plate **x1**



**AX30450**  
Flange Pipe 3x4.5x5.5 **x4**



**AX30559**  
XR10 Rear Axle Plate **x1**




**AX30563**  
Universal Axle Shafts **x2**



**AX30568**  
XR10 Steering Arm **x1**




**AX30572**  
Pinion 48DP 14T **x2**

 **AXA1041**  
M2.5 Nylon Lock Nut **x4**

 **AXA1045**  
M4 Nylon Lock Nut **x4**

 **AXA1052**  
M3 Thin Nylon Locking Hex Nut **x12**

 **AXA1053**  
M3 Nylon Locking Hex Nut **x28**

 **AXA1040**  
M3 Thin Hex Nut **x4**

 **AXA1059**  
6mm Body Clips **x3**

 **AXA1069**  
Washer 2.7x6.7x0.5mm **x8**

 **AXA1070**  
Washer 3x6x0.5 mm **x4**

 **AXA1105**  
Cone Washer 3x7x2mm **x1**

 **AXA1184**  
O-Ring 7.5x1.5mm **x4**

 **AXA1202**  
O-Ring 3.5x2mm **x8**

 **AXA1213**  
Bearing 5x8x2.5mm **x8**

 **AXA1214**  
Flanged Bearing 5x8x2.5mm **x6**


 **AXA1218**  
Bearing 5x10x4mm **x2**

 **AXA1221**  
Bearing 5x11x4mm **x4**


 **AXA1230**  
Bearing 10x15x4mm **x2**

 **AXA1243**  
Bearing 15x21x4mm **x4**

 **AXA1331**  
Flanged Ball 3x5.8x7mm **x26**

 **AXA1356**  
Silicone Shock Bushing 7.5x8mm **x4**

 **AXA1391**  
E4 e-clip **x4**

 **AXA1418**  
6x6x3mm Spacer **x3**

 **AXA1424**  
7x35mm Post **x1**

 **AXA1426**  
7x45mm Post **x1**


 **AXA1633**  
M3x25 Turnbuckle **x2**



**AXA1638**  
M3x50 Turnbuckle **x1**

 **AXA180**  
M3x3mm Set Screw **x6**

 **AXA176**  
Screw Shaft M3x2.5x13mm **x3**

 **AXA186**  
M3x16mm Set Screw **x18**

 **AXA187**  
M3x20mm Set Screw **x2**



**AXA084**  
M3x8mm Cap Head **x4**



**AXA087**  
M3x16mm Cap Head **x4**



**AXA094**  
M3x45mm Cap Head **x1**



**AXA115**  
M3x10mm Hex Socket Button Head **x10**



**AXA117**  
M3x15mm Hex Socket Button Head **x16**



**AXA118**  
M3x18mm Hex Socket Button Head **x16**



**AXA119**  
M3x20mm Hex Socket Button Head **x2**



**AXA121**  
M3x30mm Hex Socket Button Head **x2**



**AXA144**  
M3x8mm Hex Socket Flat Head **x1**



**AXA147**  
M3x16mm Hex Socket Flat Head **x3**



**AXA148**  
M3x18mm Hex Socket Flat Head **x4**



**AXA149**  
M3x20mm Hex Socket Flat Head **x6**



**AXA151**  
M3x30mm Hex Socket Flat Head **x2**



**AXA433**  
M3x6mm Hex Socket Tapping Button Head **x4**



**AXA434**  
M3x8mm Hex Socket Tapping Button Head **x9**



**AXA435**  
M3x10mm Hex Socket Tapping Button Head **x6**



**AXA437**  
M3x15mm Hex Socket Tapping Button Head **x5**



**AXA412**  
M2.6x6mm Hex Socket Tapping Flat Head **x4**



**AXA414**  
M2.6x10mm Hex Socket Tapping Flat Head **x2**



**AXA418**  
M2.6x25mm Hex Socket Tapping Flat Head **x24**



**AXA464**  
M3x8mm Hex Socket Tapping Flat Head **x10**



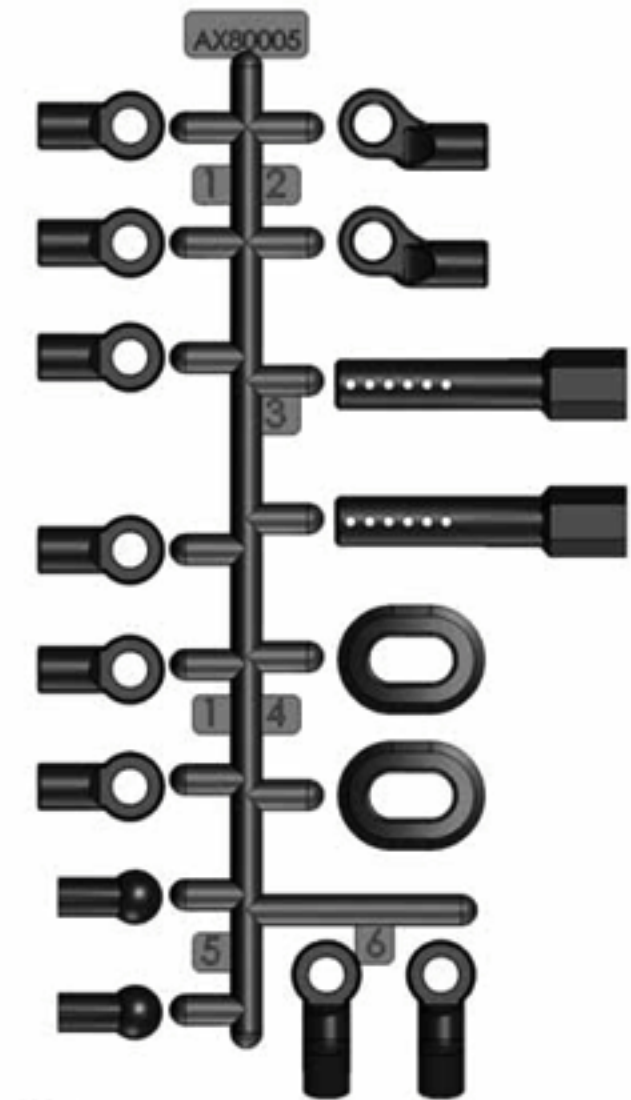
**AXA465**  
M3x10mm Hex Socket Tapping Flat Head **x7**



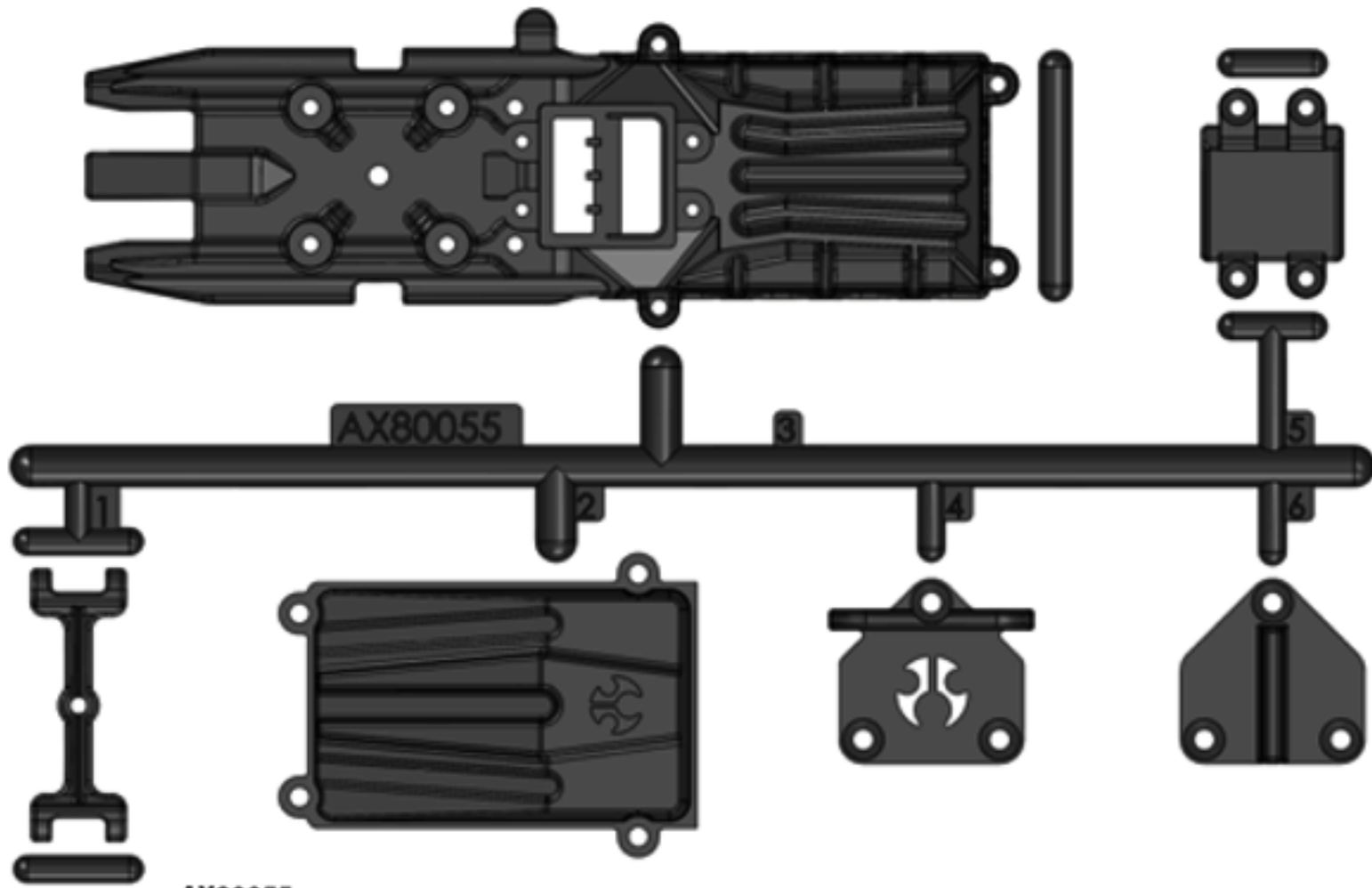
**AXA466**  
M3x12mm Hex Socket Tapping Flat Head **x10**



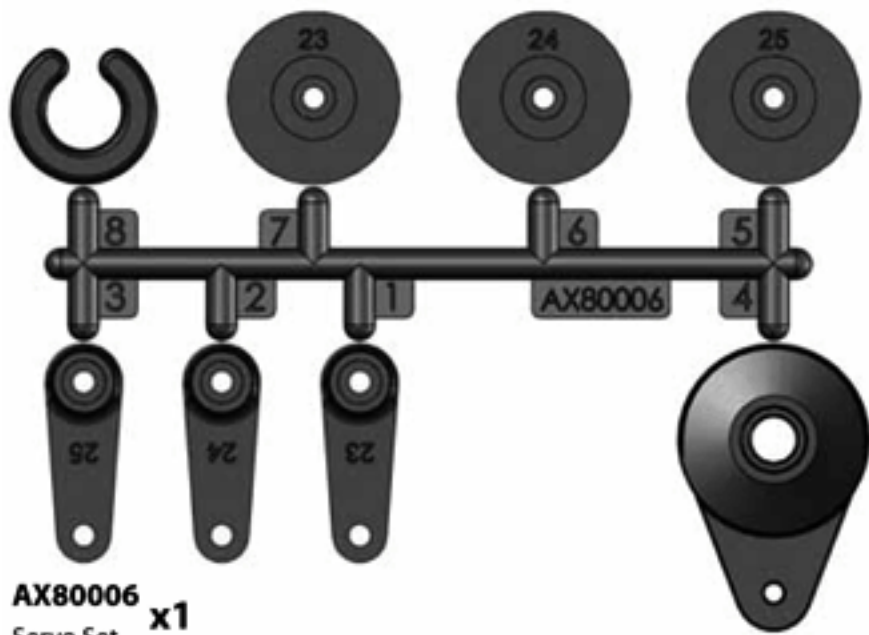
**AXA467**  
M3x15mm Hex Socket Tapping Flat Head **x4**



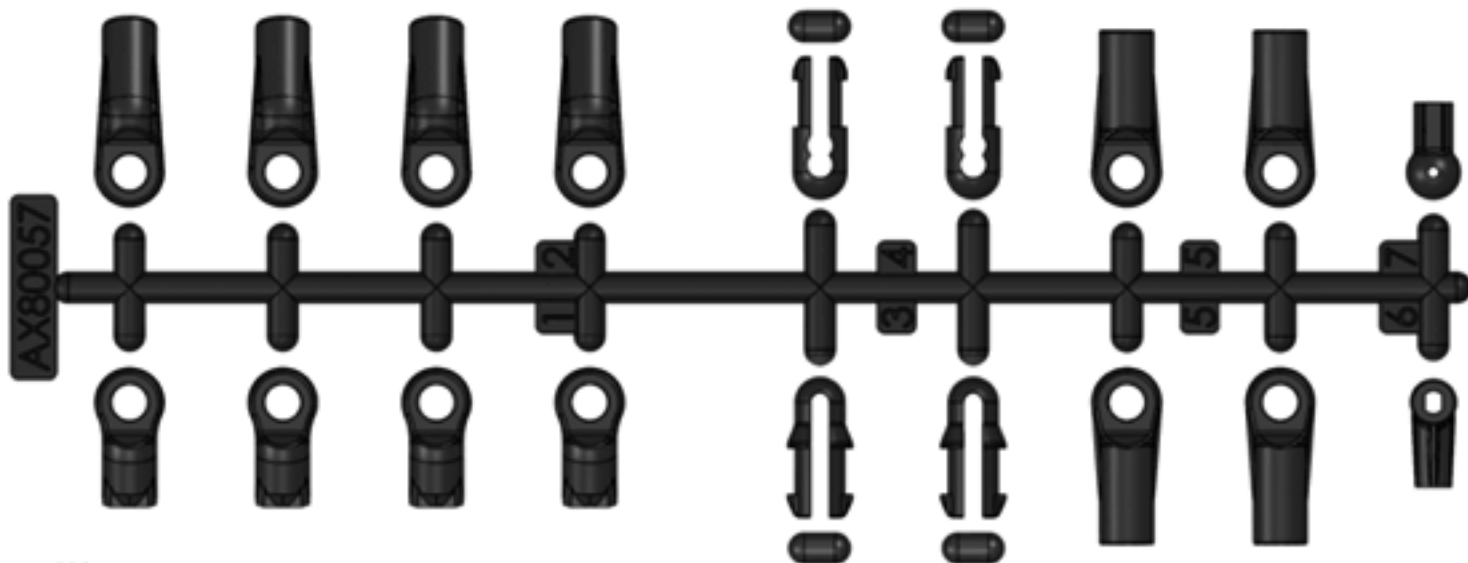
**AX80005**  
Linkage Set **x1**



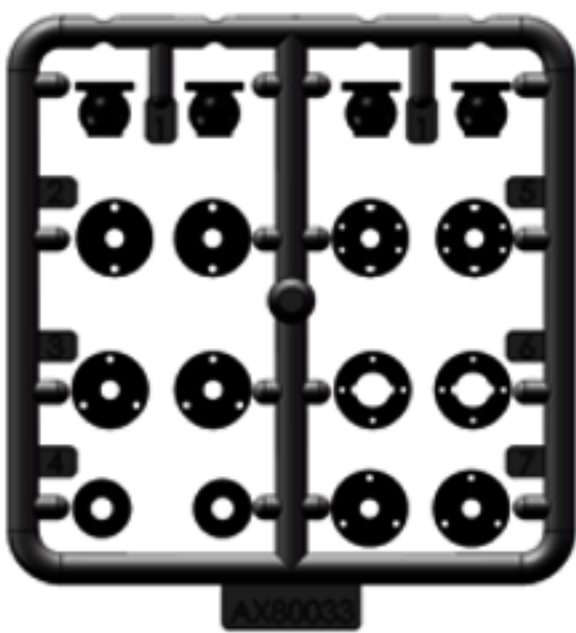
**AX80055**  
XR10 Electronics Tray Set **x1**



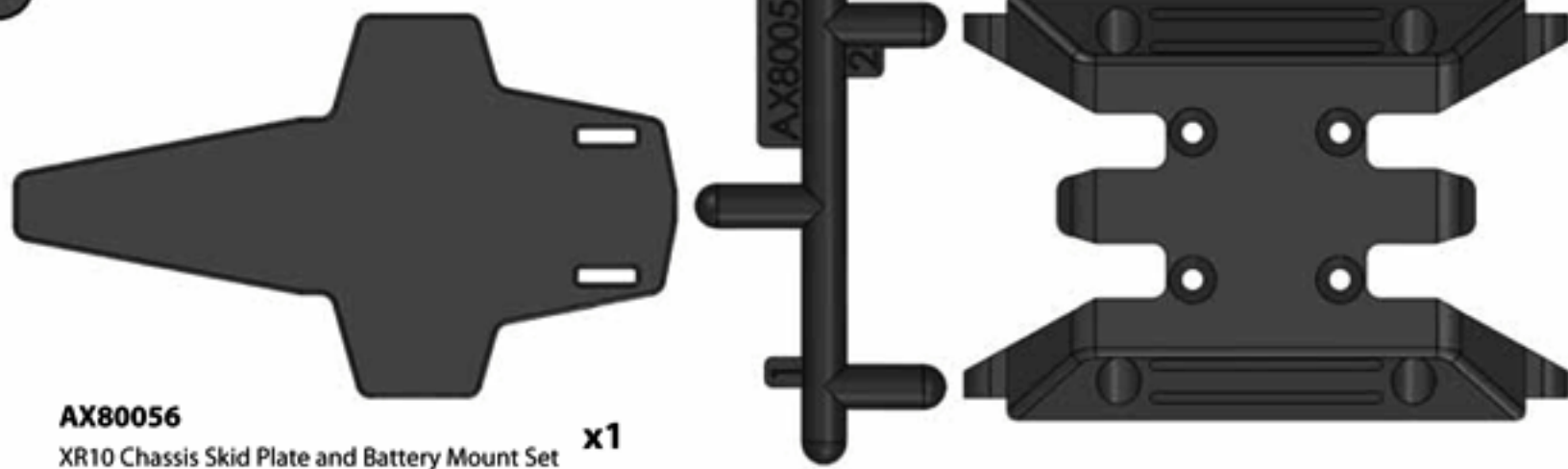
**AX80006**  
Servo Set **x1**



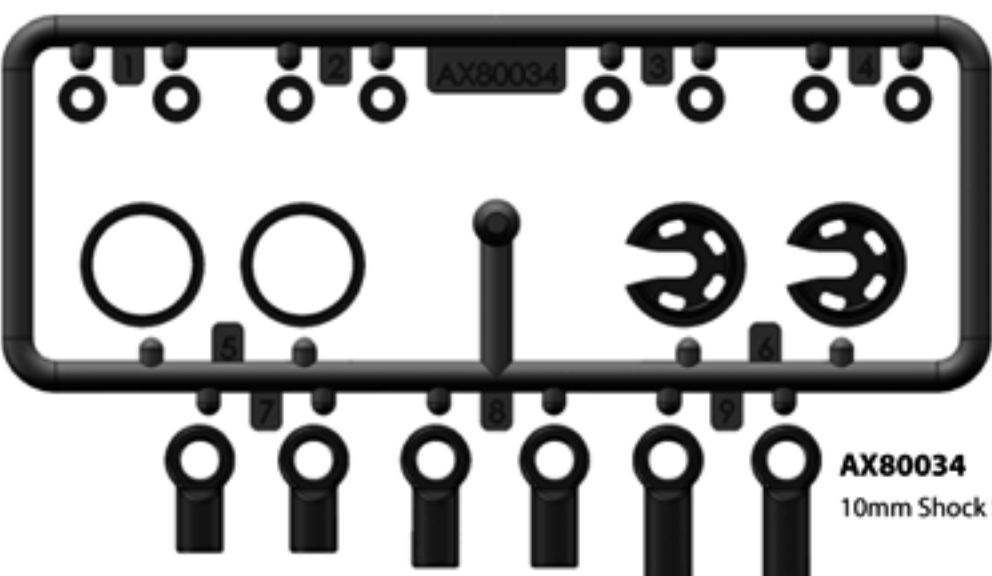
**AX80057**  
XR10 Linkage set **x2**



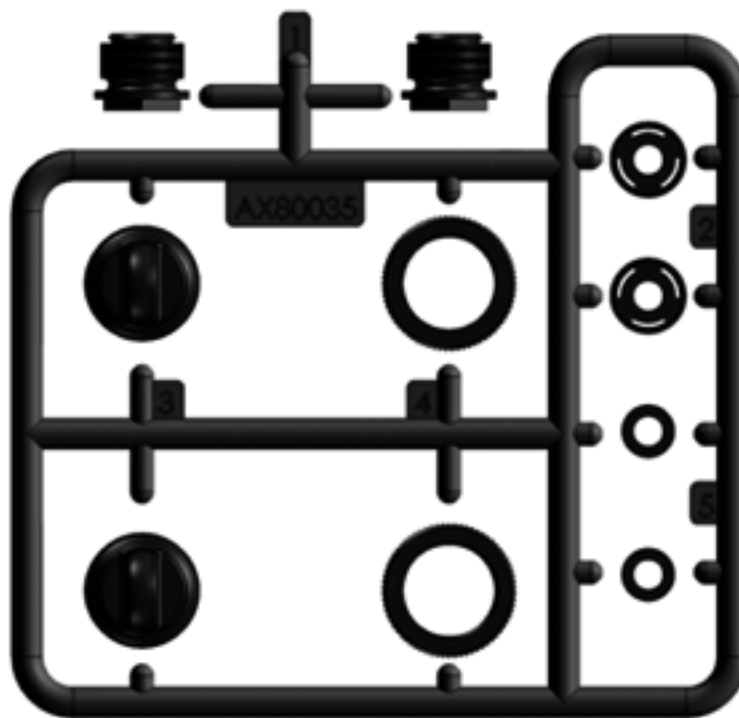
**AX80033**  
10mm Shock Set 1 **x2**



**AX80056**  
XR10 Chassis Skid Plate and Battery Mount Set **x1**



**AX80034**  
10mm Shock Set 2 **x2**



**AX80035**  
10mm Shock Caps Set **x2**



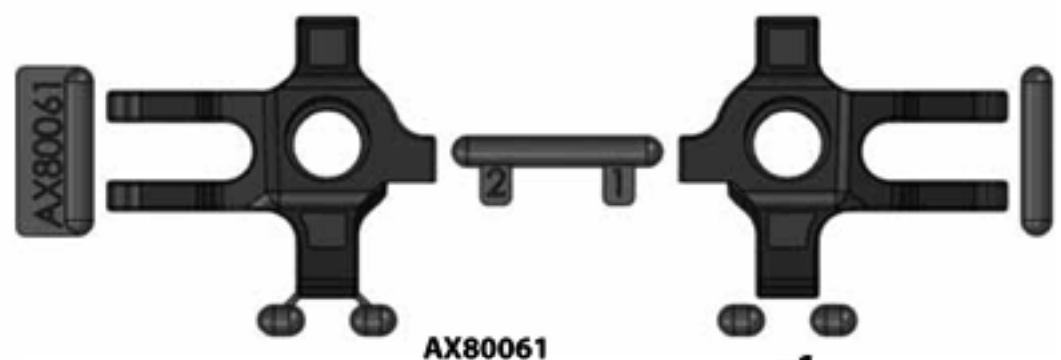
**AX80062**  
C Hub Carrier Set **x1**



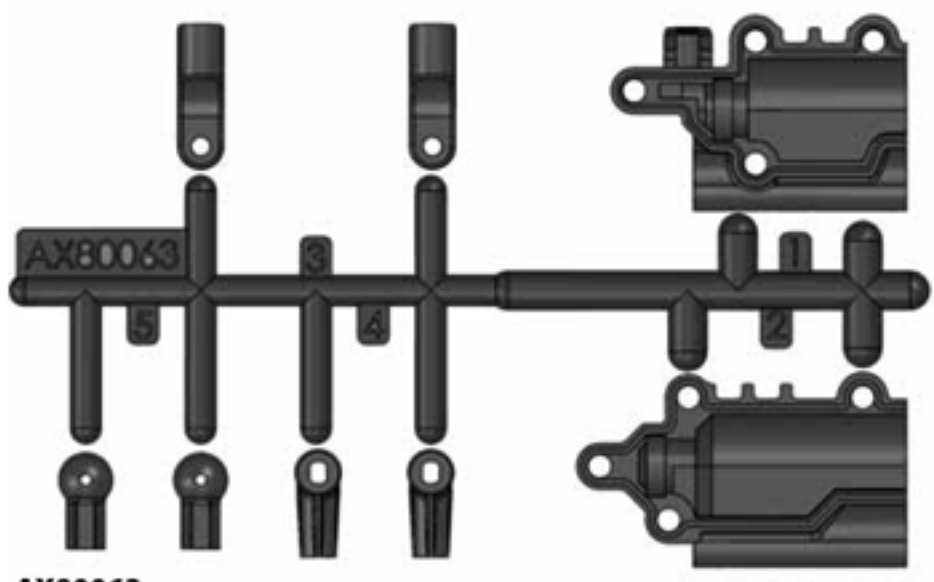
**AX80058**  
Hi-Clearance Links Set **x2**



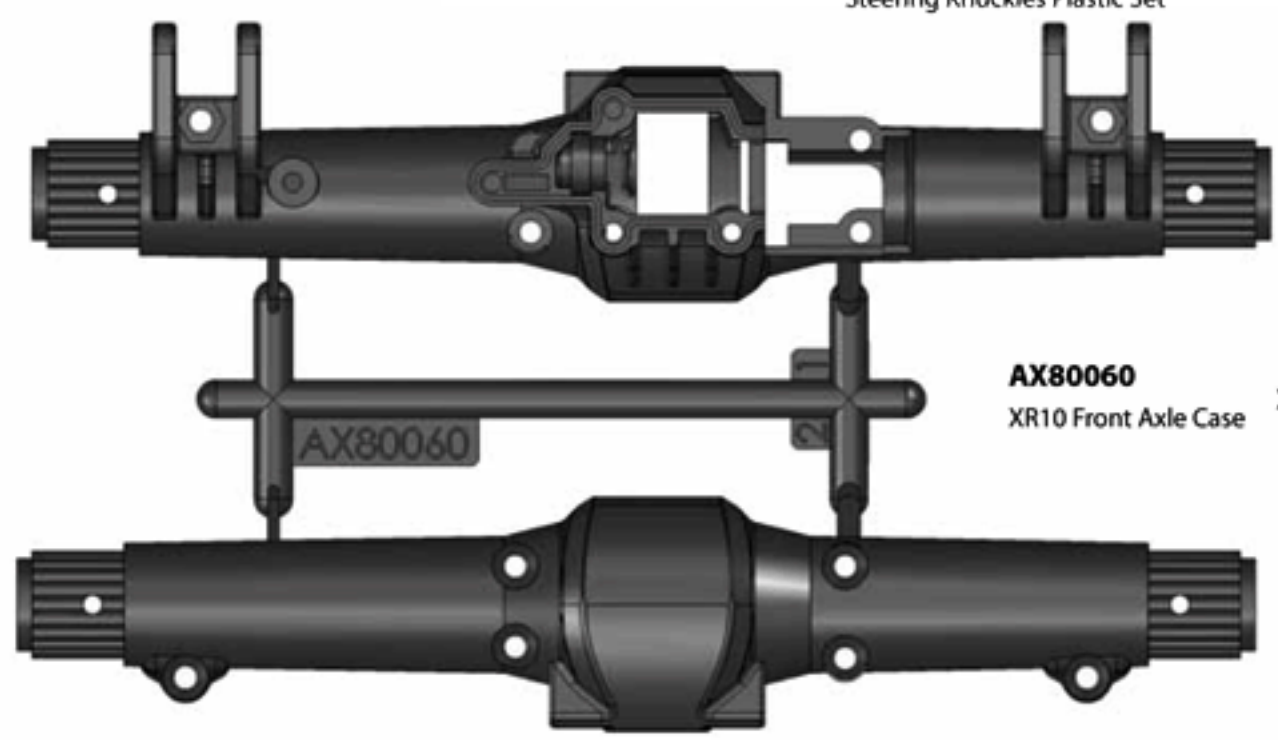
**AX80059**  
Lower Link Slider Set **x2**



**AX80061**  
Steering Knuckles Plastic Set **x1**



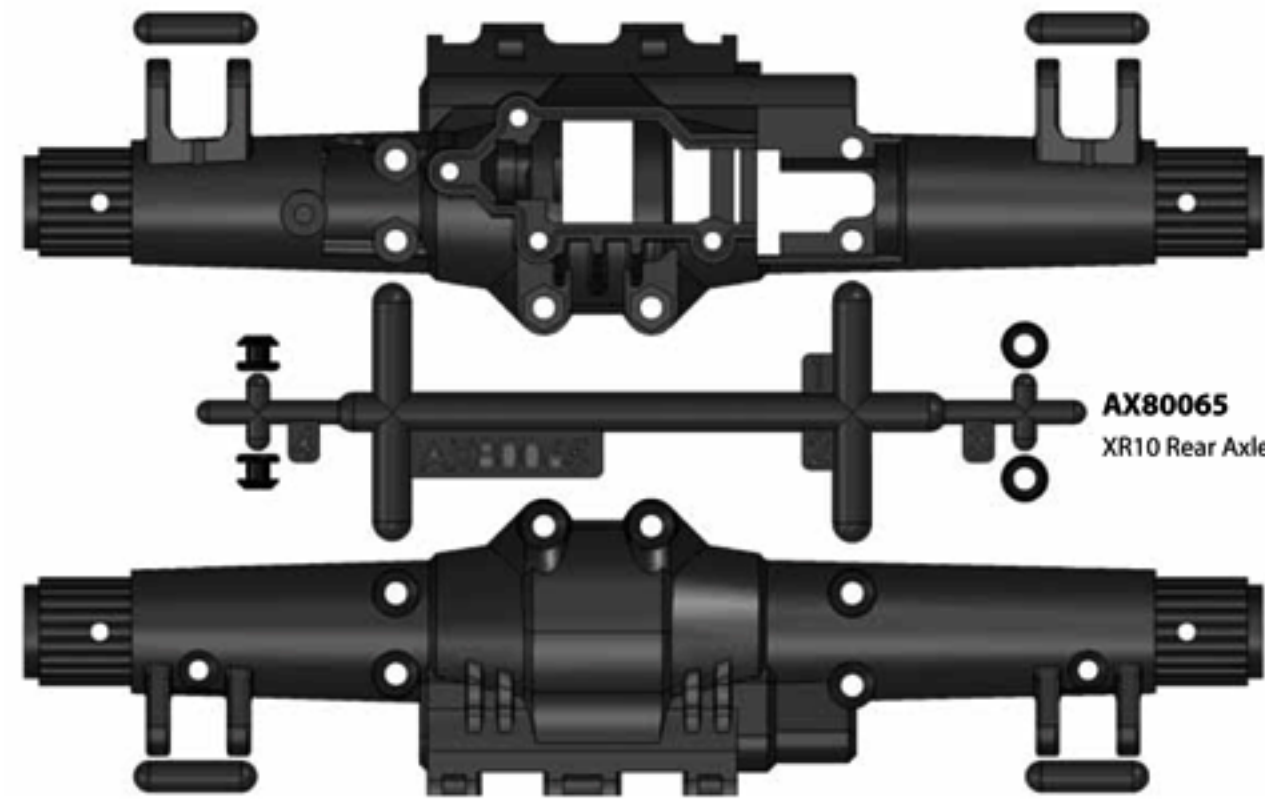
**AX80063**  
XR10 Axle Case Cap Set **x1**



**AX80060**  
XR10 Front Axle Case **x1**



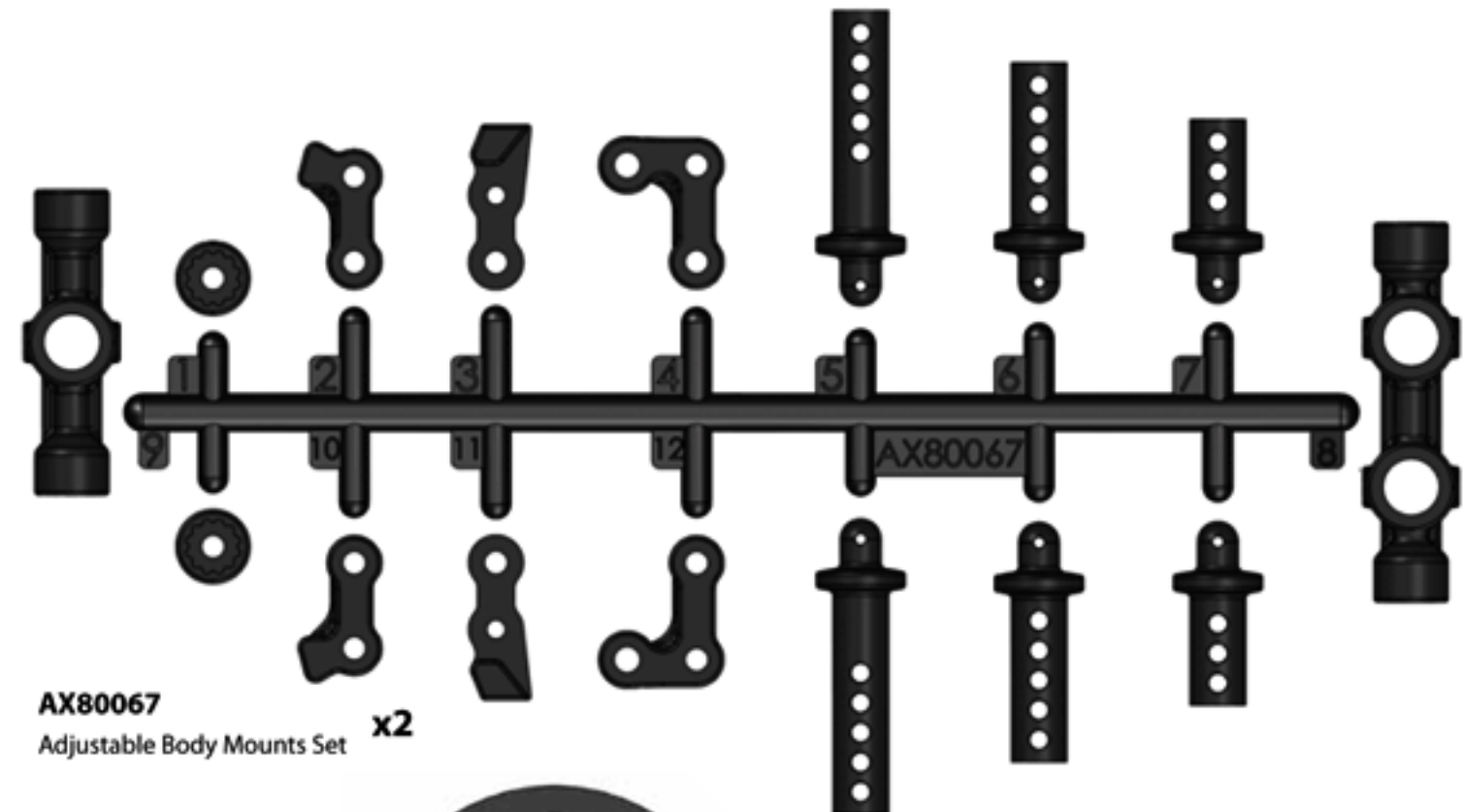
**AX80064**  
XR10 Straight Axle Adapter Set **x1**



**AX80065**  
XR10 Rear Axle Case **x1**



**AX80066**  
XR10 Gearbox **x2**



**AX80067**  
Adjustable Body Mounts Set **x2**



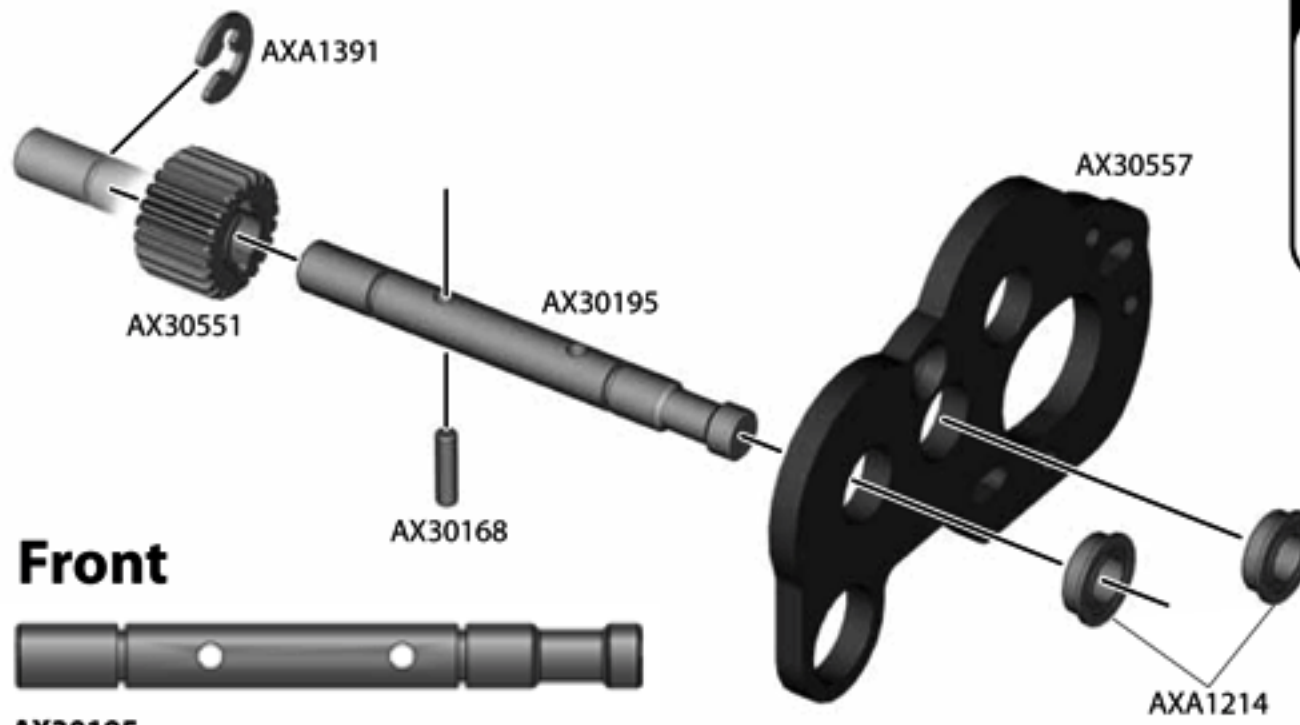
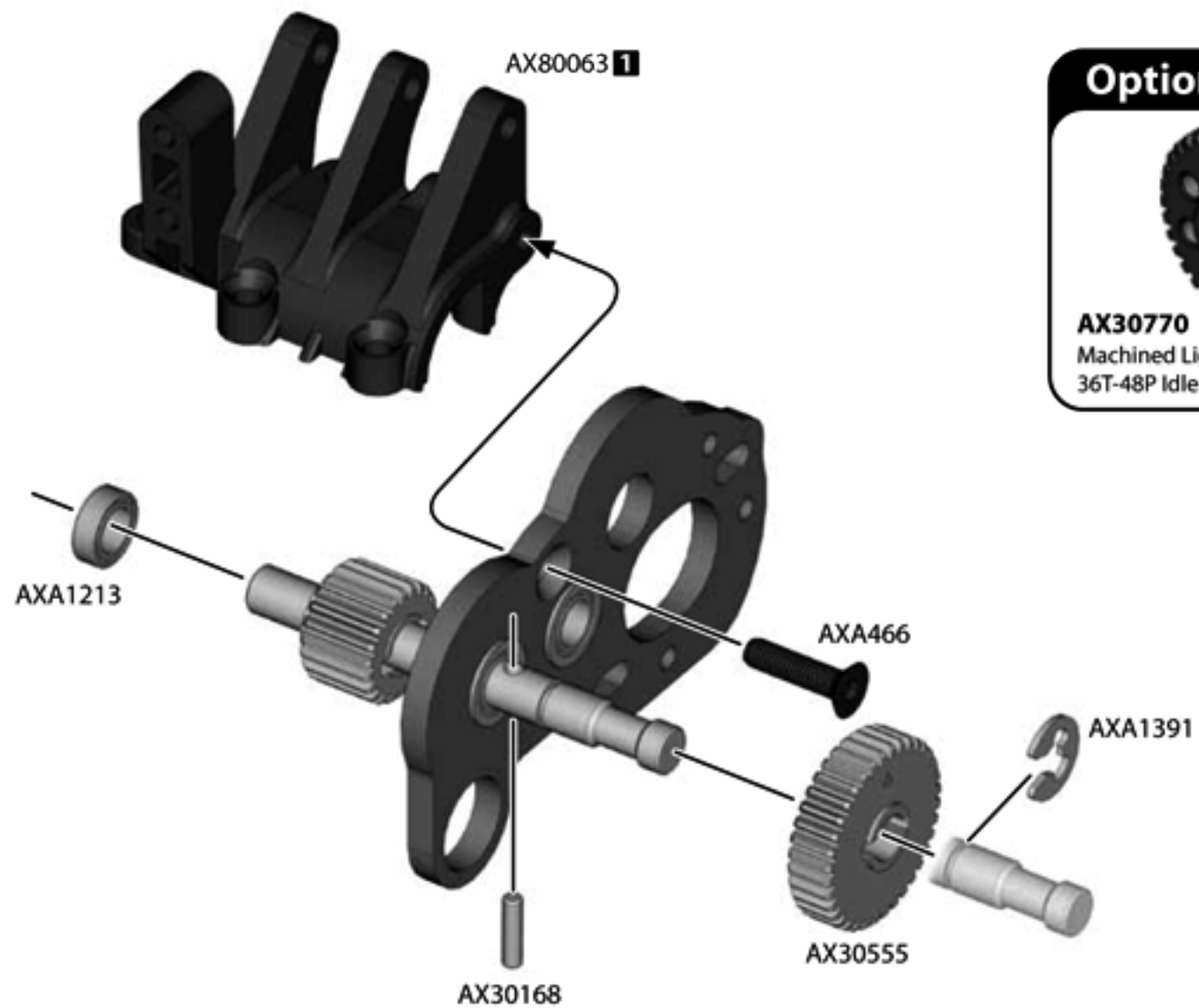
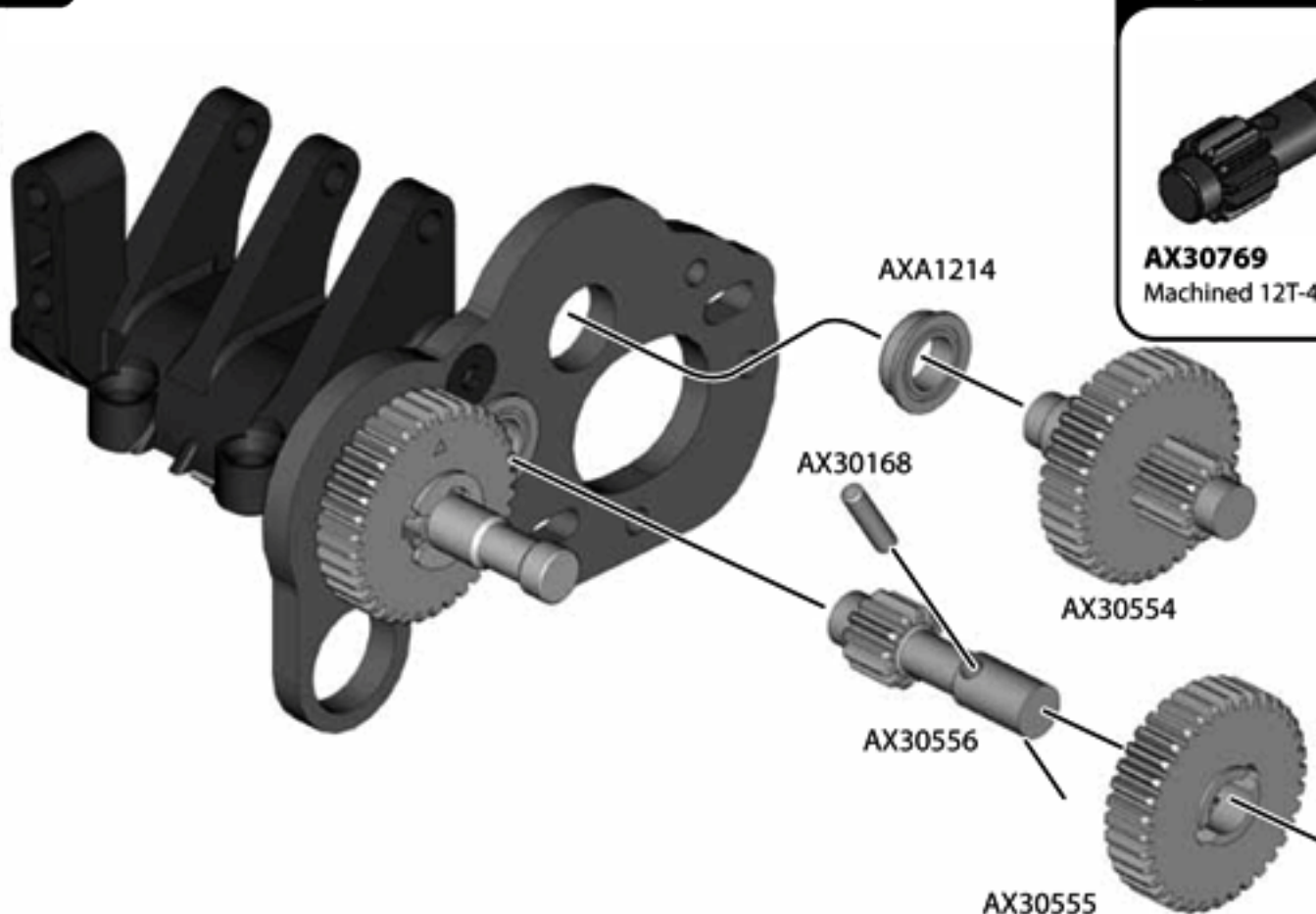
**AX08061-01**  
2.2 VWS Beadlock Wheels **x4**



**AX08061-02**  
2.2 VWS Beadlock Wheel Back Lock **x4**



**AX08061-03**  
2.2 VWS Beadlock Wheels Weight Lock **x4**

**A****Open Bag A****1****AXA1214**  
Flanged Bearing 5x8x2.5mm **x2****AXA1391**  
E4 e-clip **x1****AX30168**  
Pin 2x8mm **x1****AX30551**  
22T-48P Drive Gear **x1****AXA466**  
M3x12mm Hex Socket Tapping Flat Head **x1****AXA1213**  
Bearing 5x8x2.5mm **x1****AXA1391**  
E4 e-clip **x1****AX30168**  
Pin 2x8mm **x1****AX30555**  
36T-48P Idler Gear **x1****AXA1214**  
Flanged Bearing 5x8x2.5mm **x1****AX30168**  
Pin 2x8mm **x1****AX30554**  
12T-48P Stepped Gear **x1****AX30555**  
36T-48P Idler Gear **x1****AX30556**  
12T-48P Transfer Gear **x1****Front****AX30195**  
5x49mm Gear Shaft **x1****Option Parts****AX30765**  
Titanium 5x49mm Gear Shaft**Option Parts****AX30767**  
Machined 22T-48P Drive Gear**2****Option Parts****AX30770**  
Machined Lightweight  
36T-48P Idler Gear**3****Option Parts****AX30769**  
Machined 12T-48P Gear 1**Option Parts****AX30771**  
Machined 12T-48P Gear 2**Option Parts****AX30770**  
Machined Lightweight  
36T-48P Idler Gear





**AXA118**  
M3x18mm Hex Socket Button Head **x1**



**AXA435**  
M3x10mm Hex Socket Tapping Button Head **x1**



**AXA1053**  
M3 Nylon Locking Hex Nut **x1**



**AXA1213**  
Bearing 5x8x2.5mm **x3**

### Recommended Motor



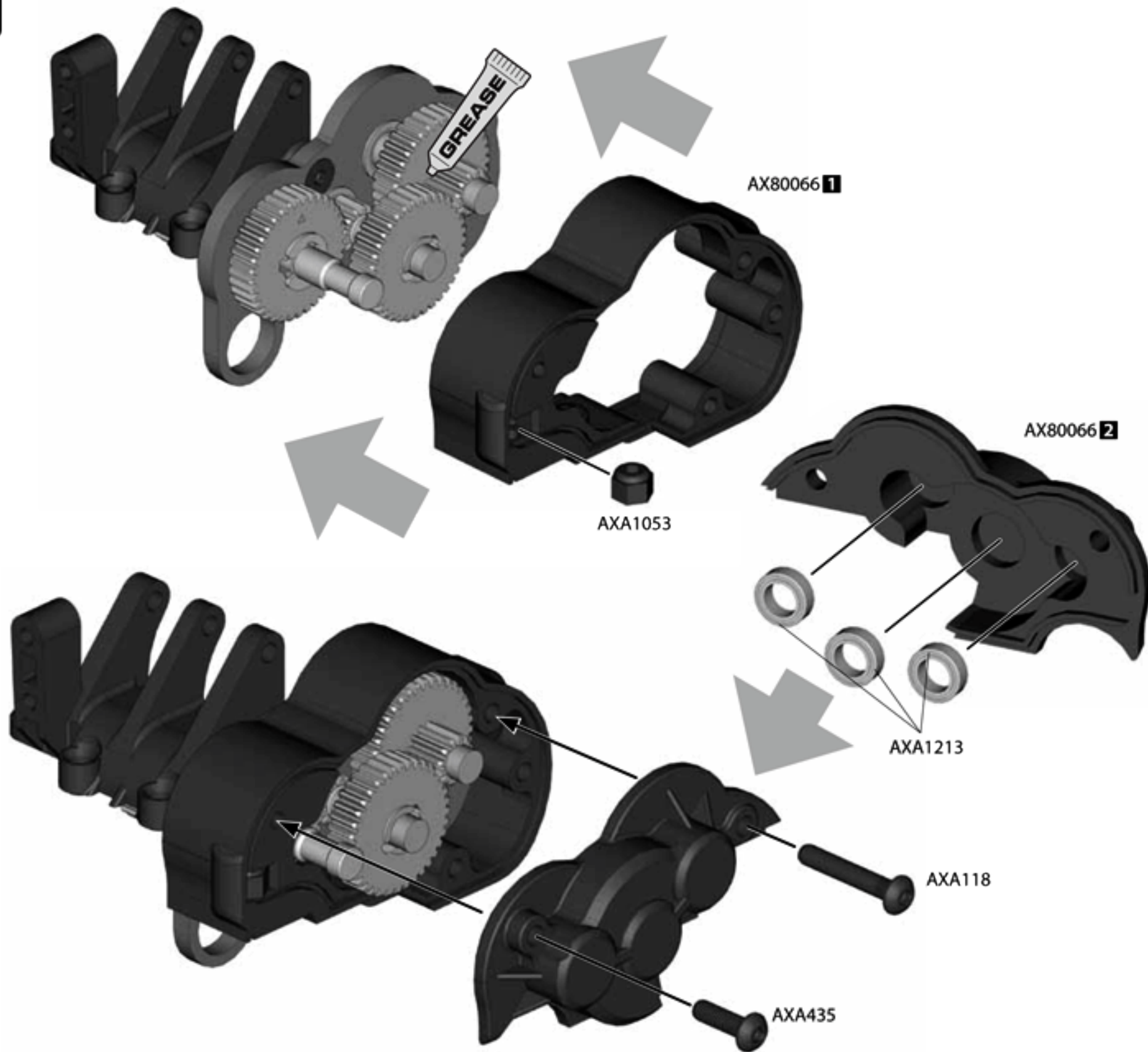
**45-55t 540**



**12-35t 540**

(Motors Not included)

**4**



**AXA180**  
M3x3mm Set Screw **x1**



**AXA084**  
M3x8mm Cap Head **x2**



**AXA118**  
M3x18mm Hex Socket Button Head **x2**

**AXA1070**  
Washer 3x6x0.5 mm **x2**



**AX30572**  
Pinion 48DP 14T **x1**

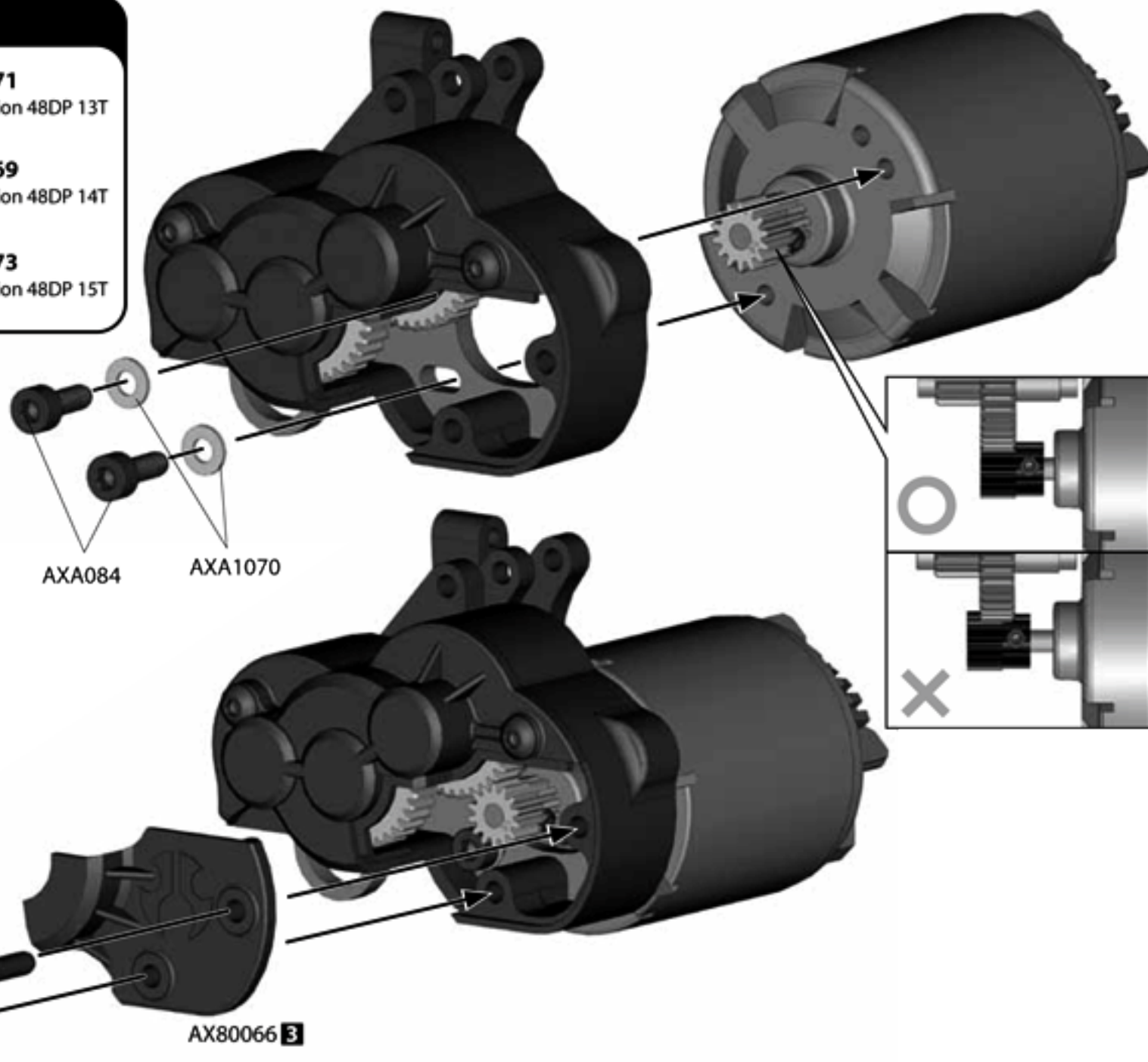
**5**

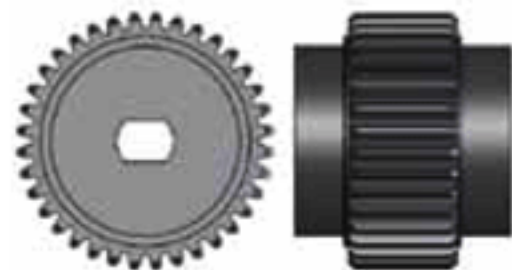
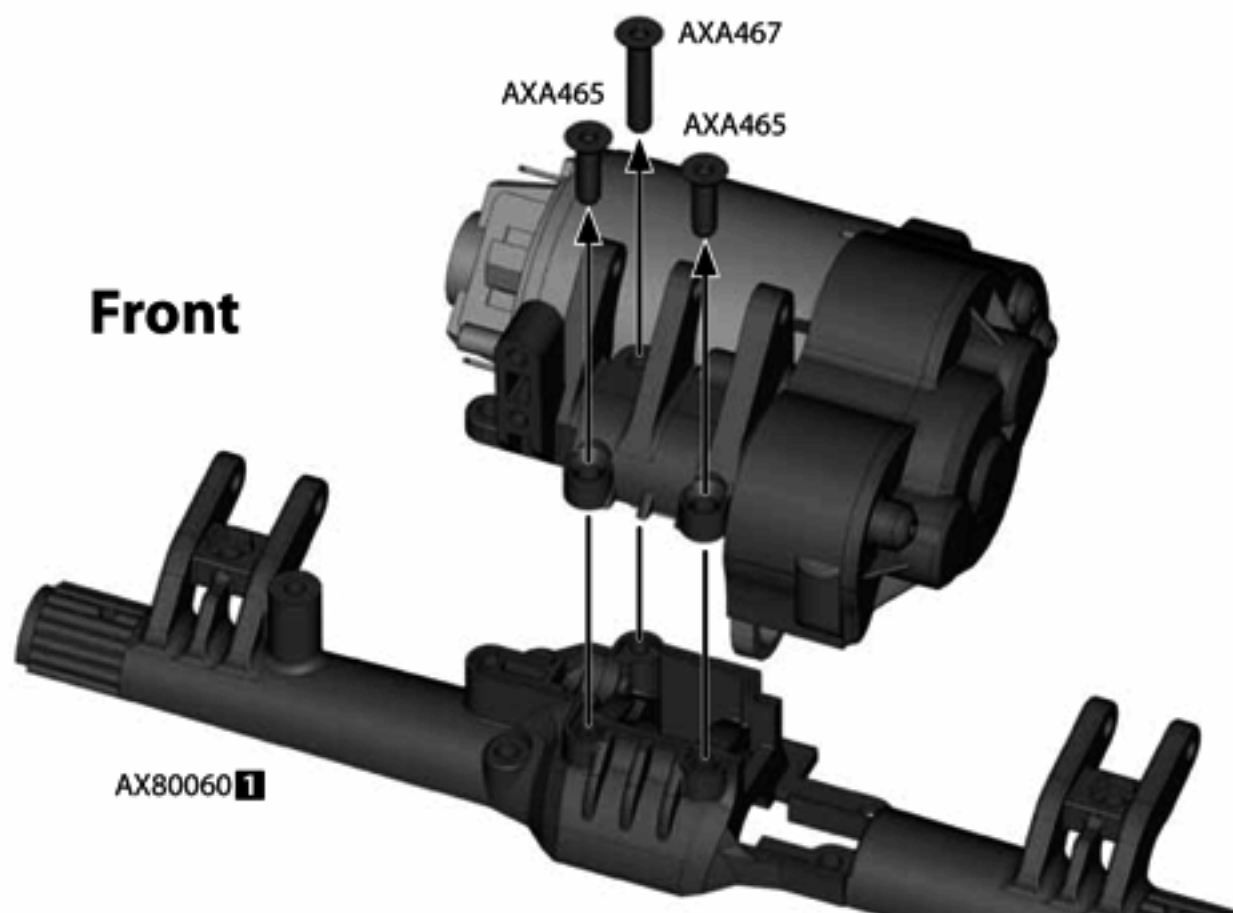
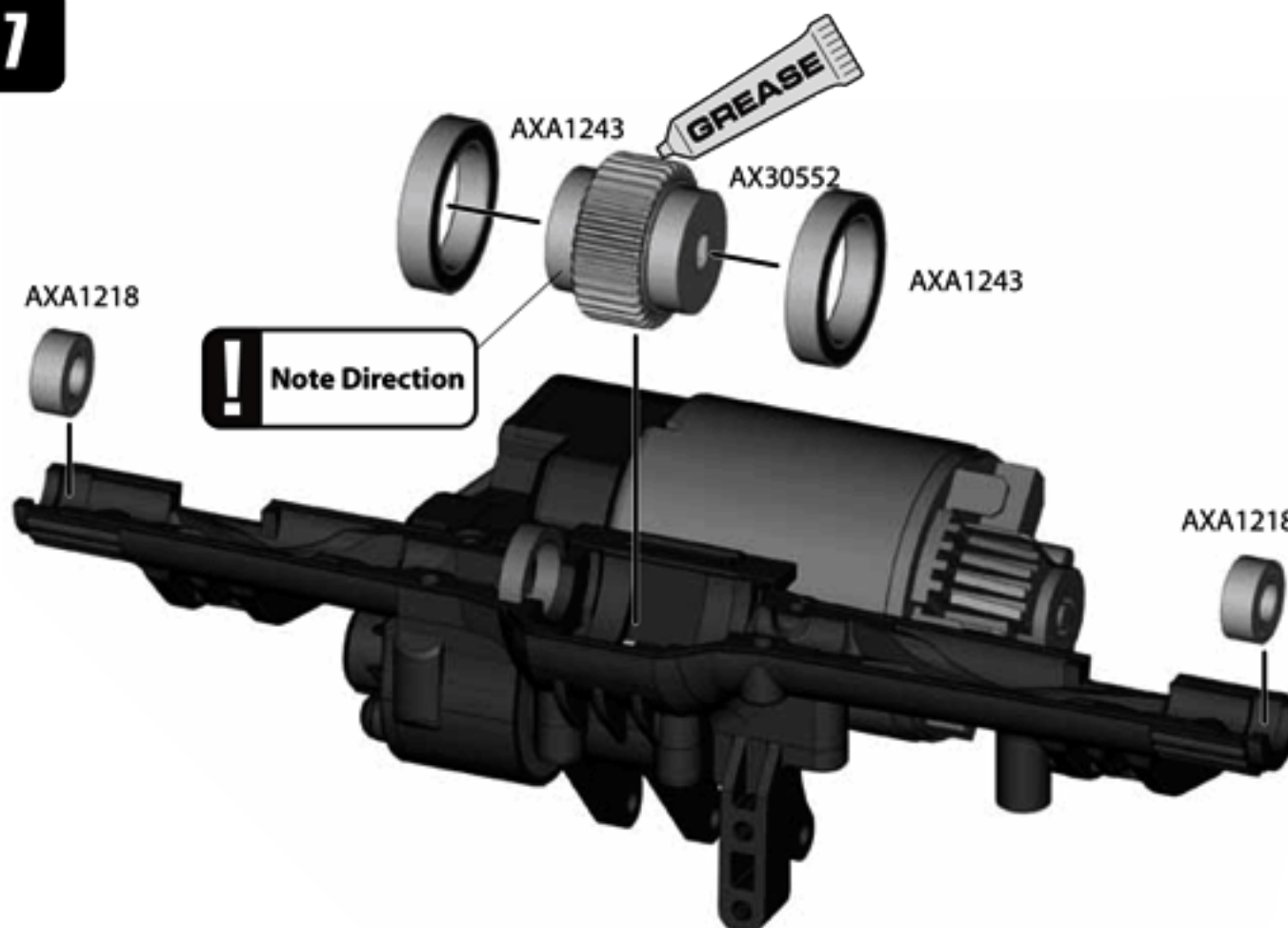
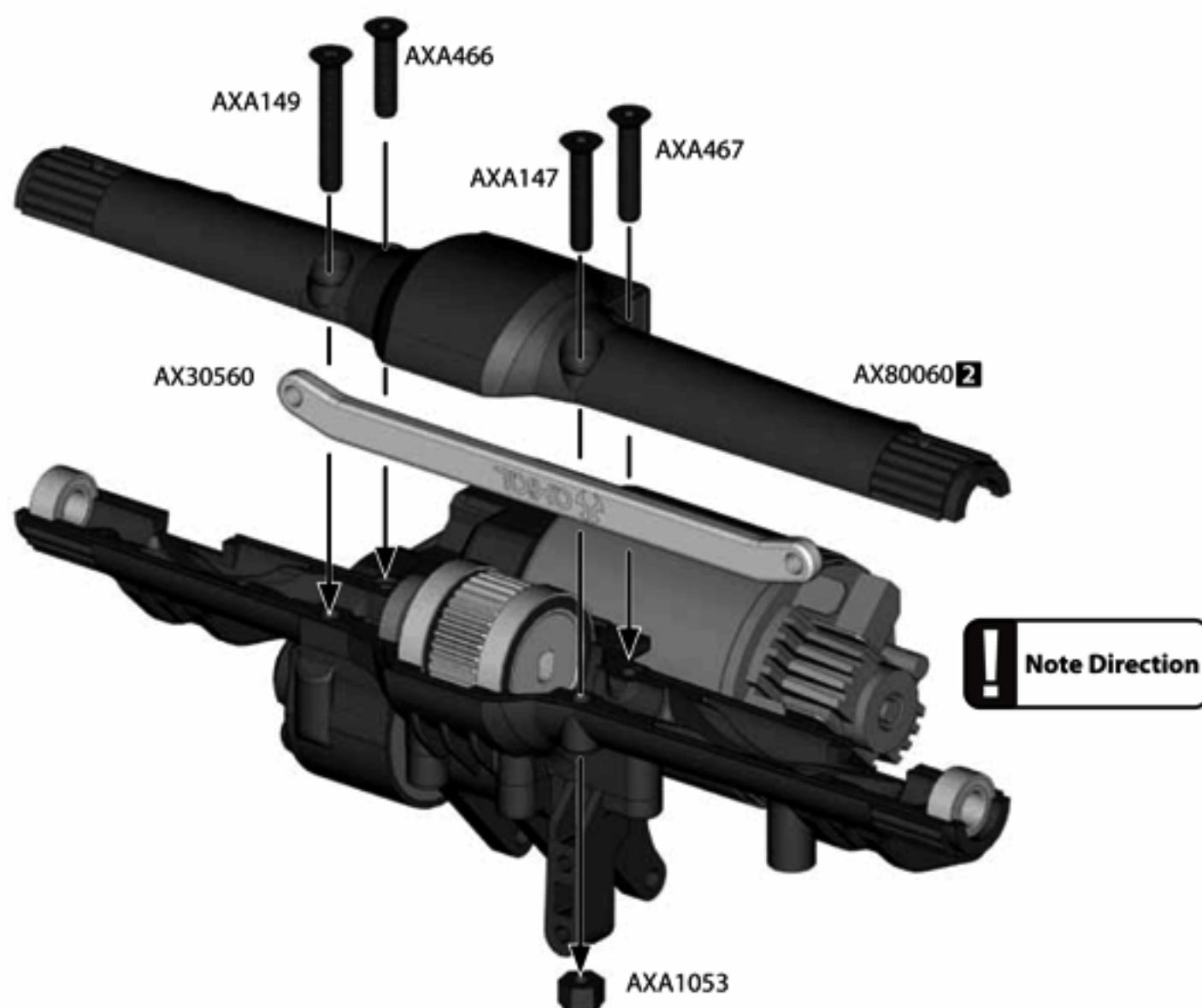
### Option Parts

**AX30571**  
Steel Pinion 48DP 13T

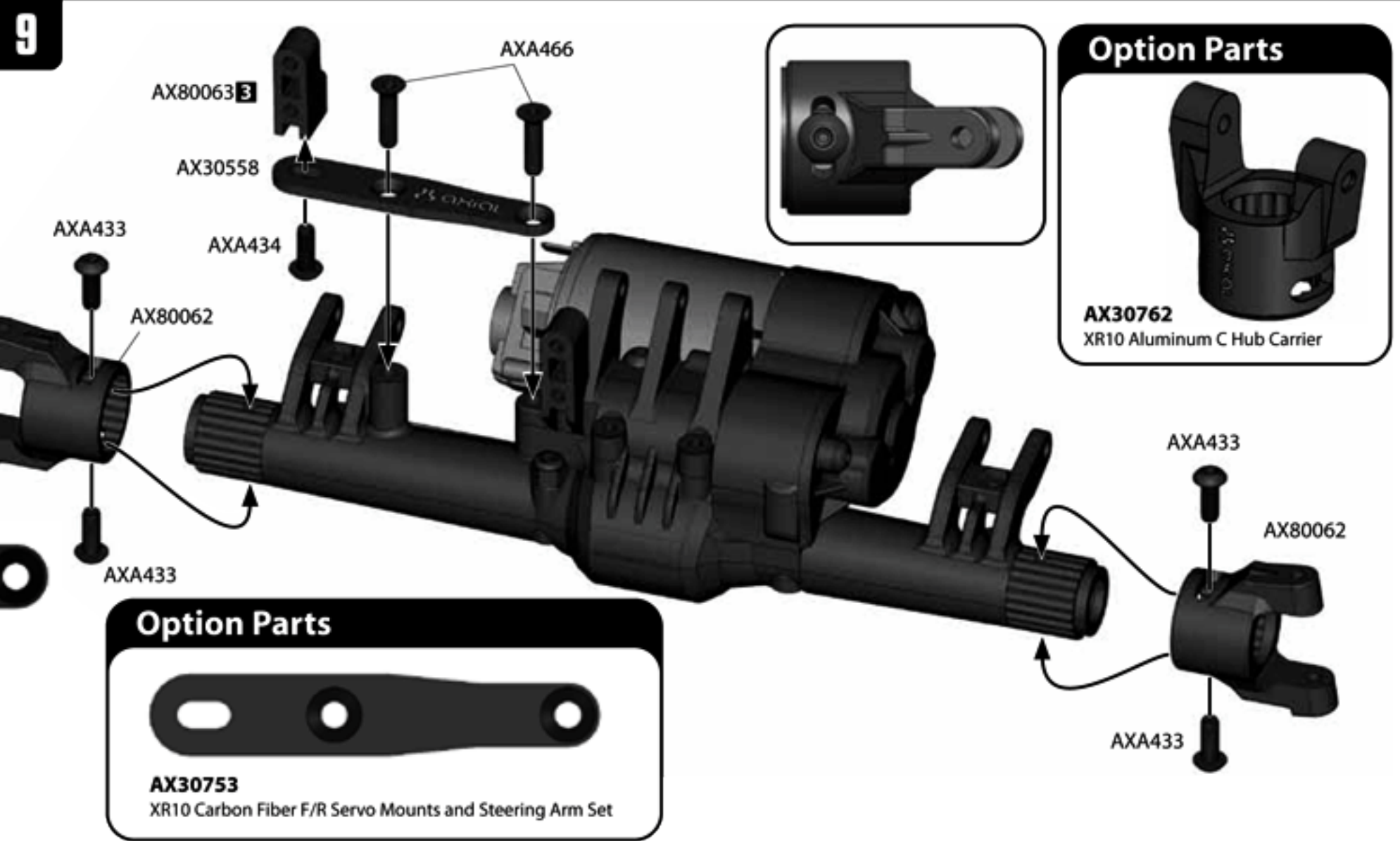
**AX30569**  
Steel Pinion 48DP 14T

**AX30573**  
Steel Pinion 48DP 15T

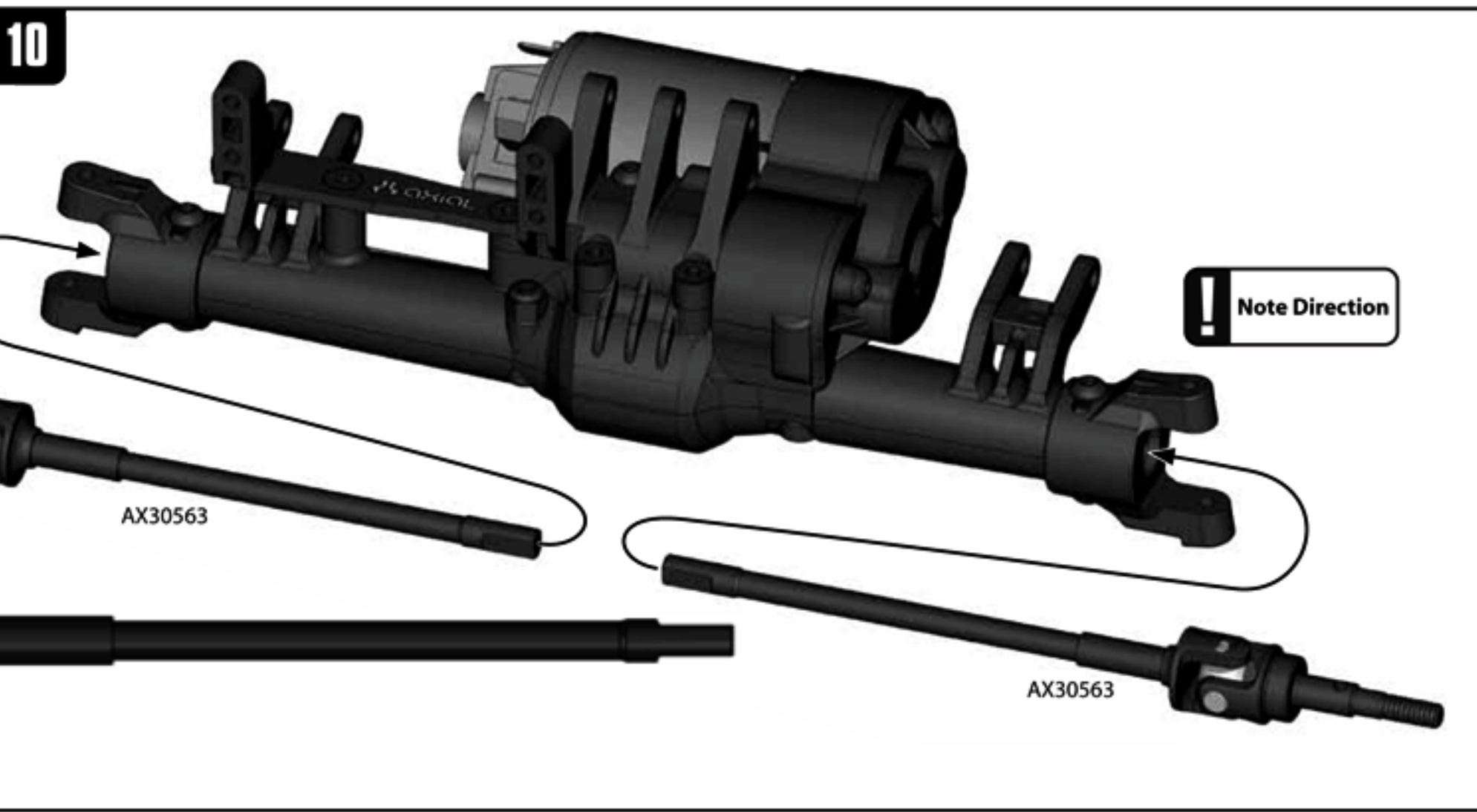


**B****Open Bag B****AXA465**  
M3x10mm Hex Socket Tapping Flat Head **x2****AXA467**  
M3x15mm Hex Socket Tapping Flat Head **x1****AXA1218**  
Bearing 5x10x4mm **x2****AXA1243**  
Bearing 15x21x4mm **x2****AX30552**  
36T-48P Final Gear **x1****AXA147**  
M3x16mm Hex Socket Flat Head **x1****AXA149**  
M3x20mm Hex Socket Flat Head **x1****AXA466**  
M3x12mm Hex Socket Tapping Flat Head **x1****AXA467**  
M3x15mm Hex Socket Tapping Flat Head **x1****AXA1053**  
M3 Nylon Locking Hex Nut **x1****6****Front****7****Option Parts****AX30768**  
Machined Lightweight 36T-48P Final Gear**8**

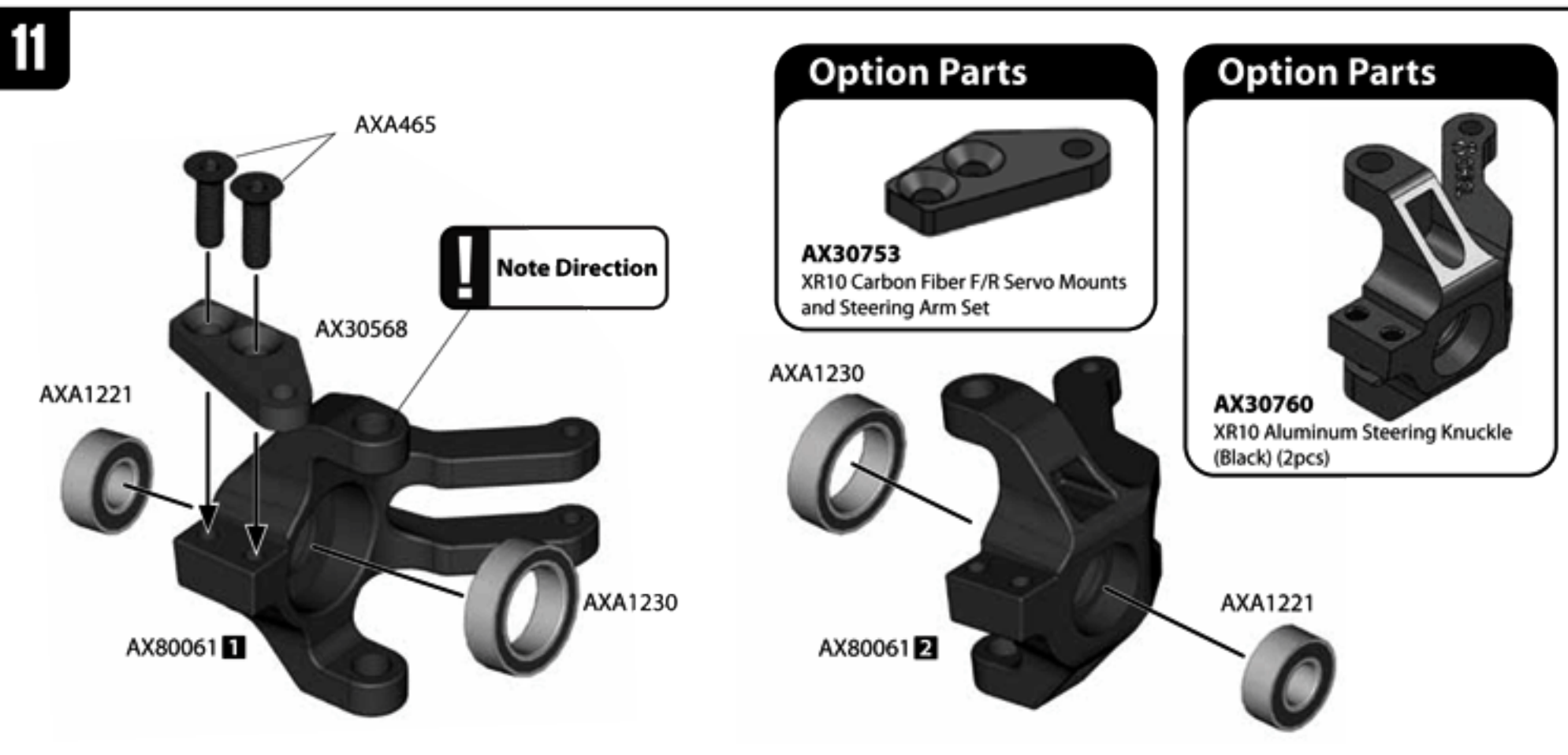
- AXA434**  
M3x8mm Hex Socket Tapping Button Head **x1**
- AXA433**  
M3x6mm Hex Socket Tapping Button Head **x4**
- AXA466**  
M3x12mm Hex Socket Tapping Flat Head **x2**



- AX30558**  
XR10 Steering Servo Plate **x1**

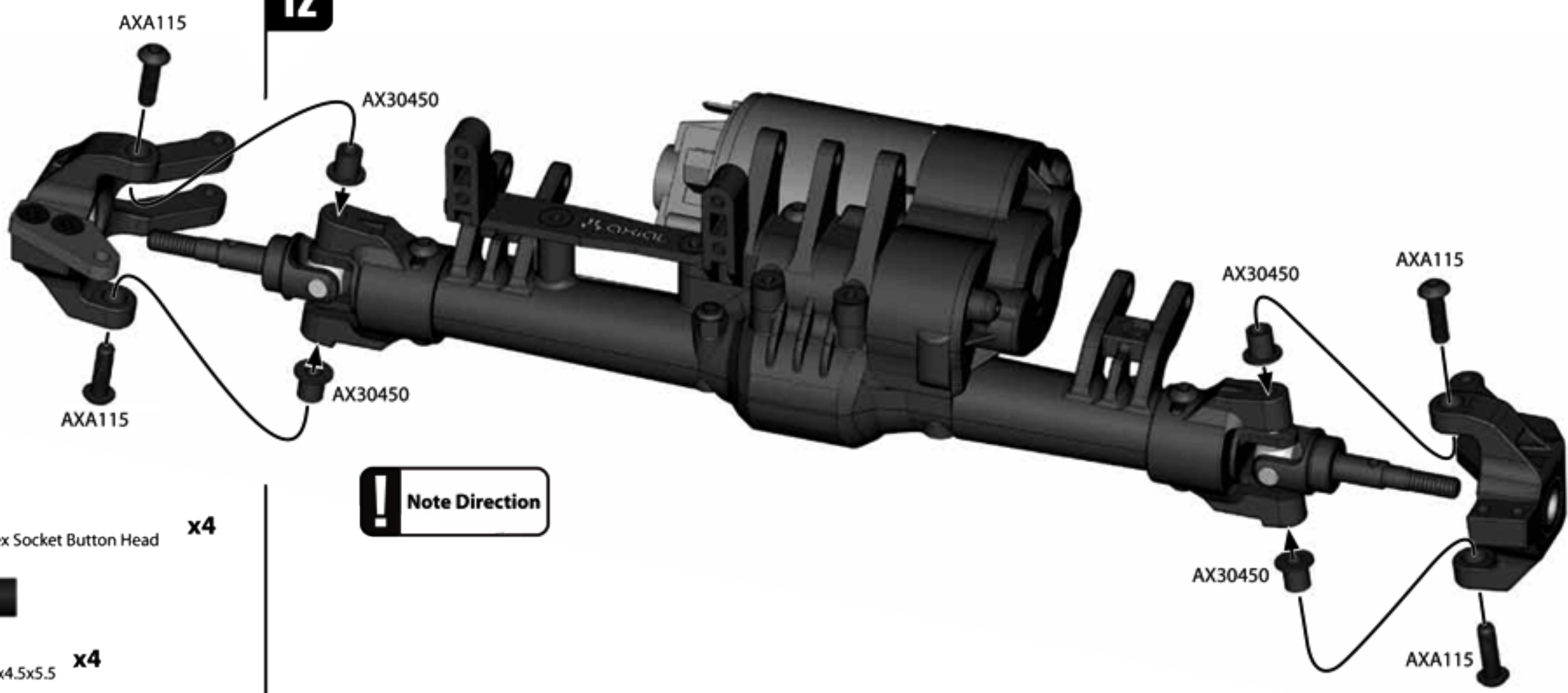


- AX30563**  
Universal Axle Shafts **x2**
- AXA465**  
M3x10mm Hex Socket Tapping Flat Head **x2**



- AXA1221**  
Bearing 5x11x4mm **x2**
- AXA1230**  
Bearing 10x15x4mm **x2**
- AX30568**  
XR10 Steering Arm **x1**

**12**

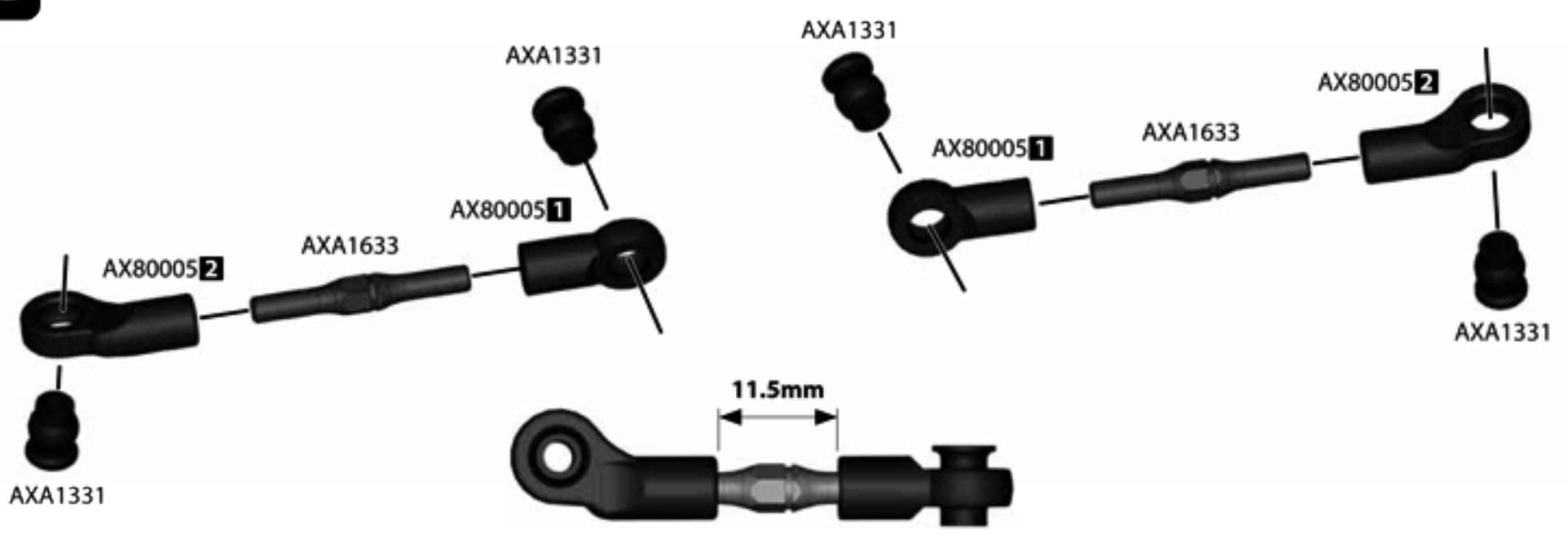


**AXA115**  
M3x10mm Hex Socket Button Head **x4**

**AX30450**  
Flange Pipe 3x4.5x5.5 **x4**

**Note Direction**

**13**



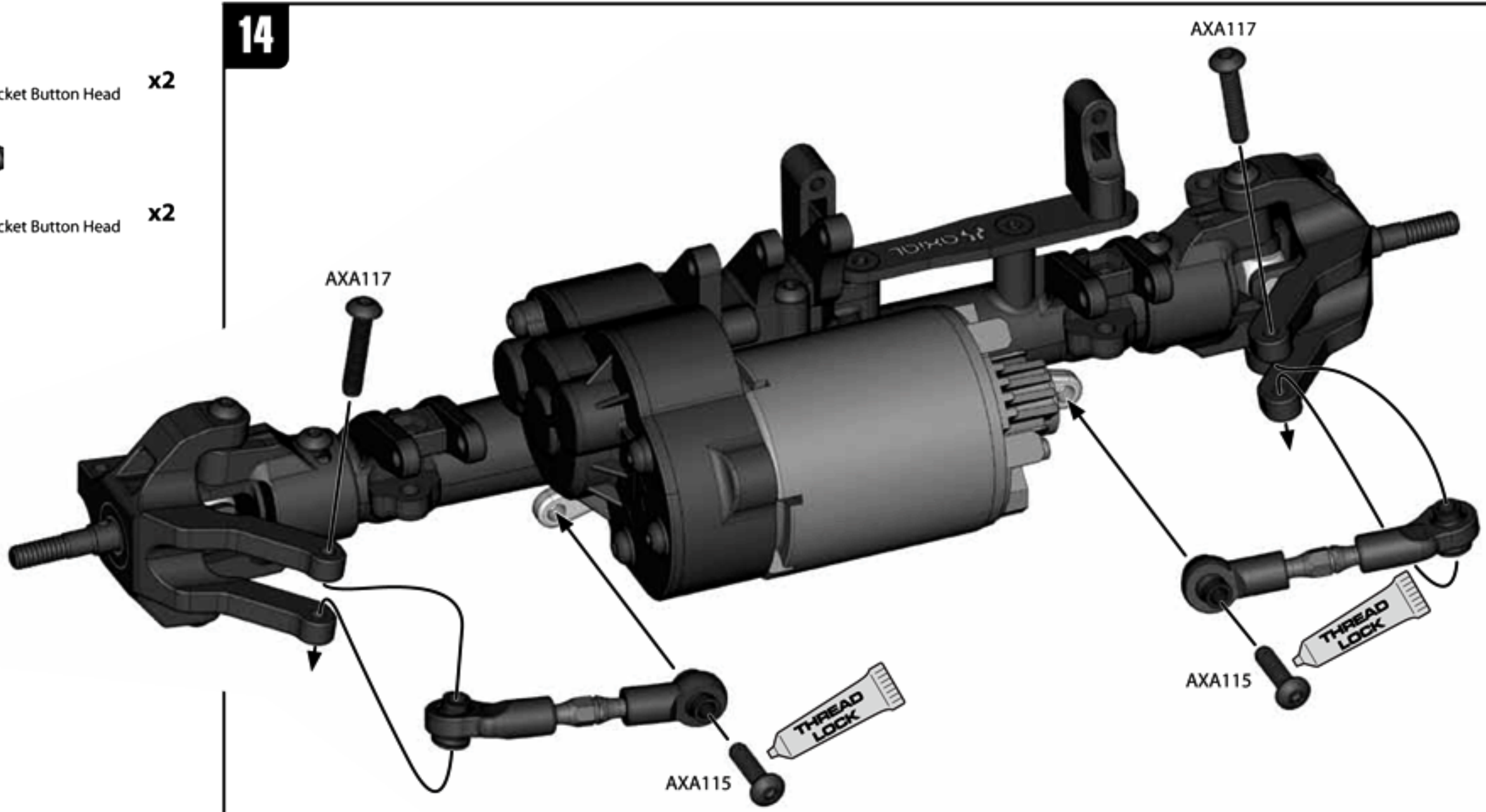
**AXA1331**  
Flanged Ball 3x5.8x7mm **x4**

**AXA1633**  
M3x25 Turnbuckle **x2**

AXA1331

11.5mm

**14**



**AXA115**  
M3x10mm Hex Socket Button Head **x2**

**AXA117**  
M3x15mm Hex Socket Button Head **x2**

AXA117

AXA117

AXA115

AXA115

THREAD LOCK

THREAD LOCK



# Open Bag C

## 15

### Option Parts



**AX30767**  
Machined 22T-48P Drive Gear

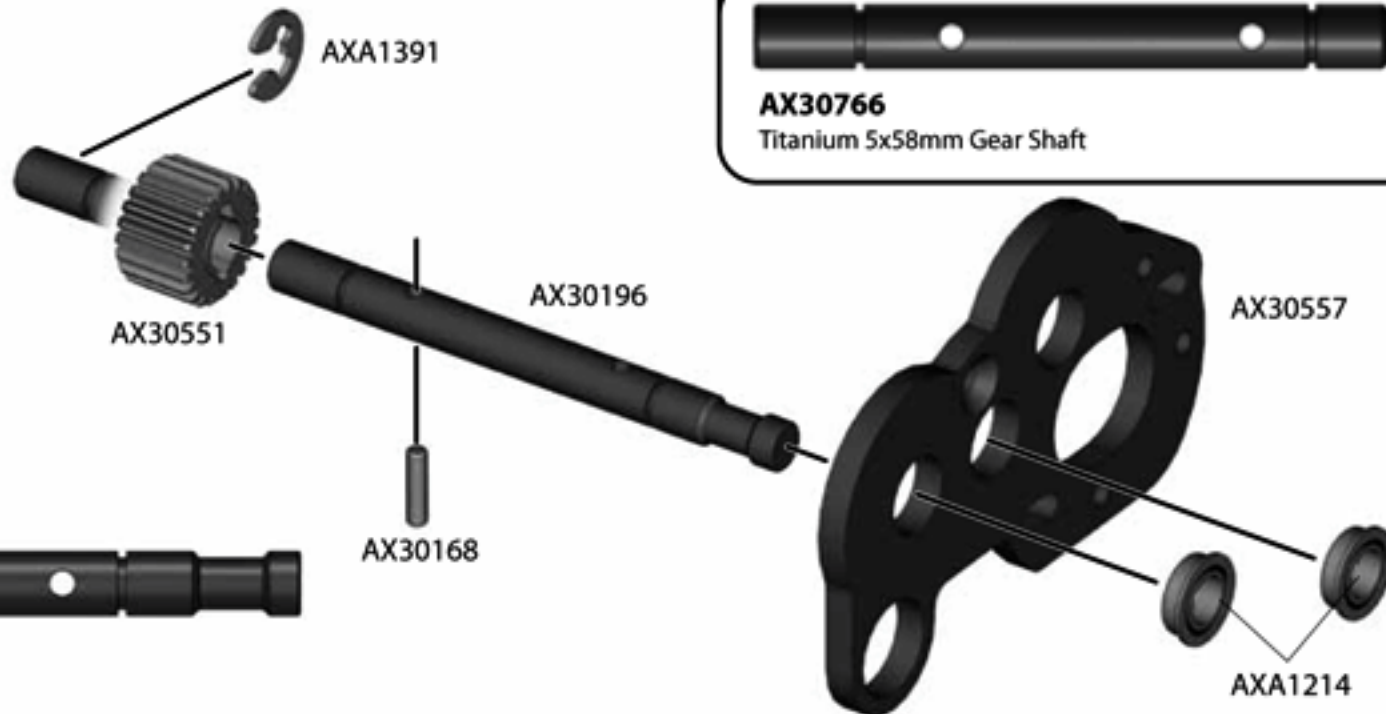
### Rear

**AX30196**  
5x58mm Gear Shaft **x1**

### Option Parts



**AX30766**  
Titanium 5x58mm Gear Shaft



**AXA1214**  
Flanged Bearing 5x8x2.5mm **x2**



**AXA1391**  
E4 e-clip **x1**



**AX30168**  
Pin 2x8mm **x1**



**AX30551**  
22T-48P Drive Gear **x1**



**AXA466**  
M3x12mm Hex Socket Tapping Flat Head **x1**



**AXA1213**  
Bearing 5x8x2.5mm **x1**



**AXA1391**  
E4 e-clip **x1**



**AX30555**  
36T-48P Idler Gear **x1**



**AX30168**  
Pin 2x8mm **x1**



**AXA1214**  
Flanged Bearing 5x8x2.5mm **x1**



**AX30168**  
Pin 2x8mm **x1**



**AX30554**  
12T-48P Stepped Gear **x1**



**AX30555**  
36T-48P Idler Gear **x1**



**AX30556**  
12T-48P Transfer Gear **x1**

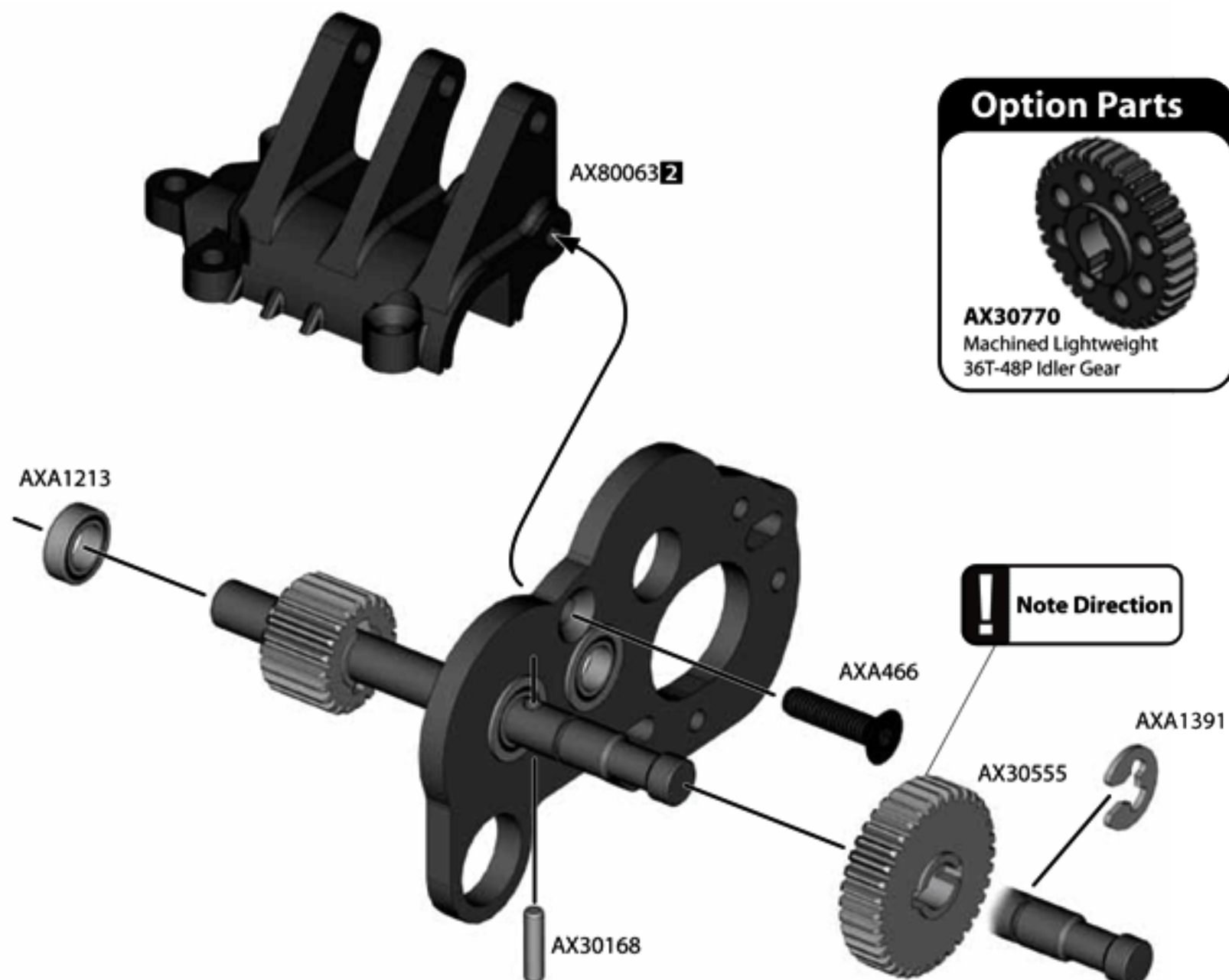
## 16

### Option Parts



**AX30770**  
Machined Lightweight  
36T-48P Idler Gear

**Note Direction**



## 17

### Option Parts



**AX30770**  
Machined Lightweight  
36T-48P Idler Gear

### Option Parts

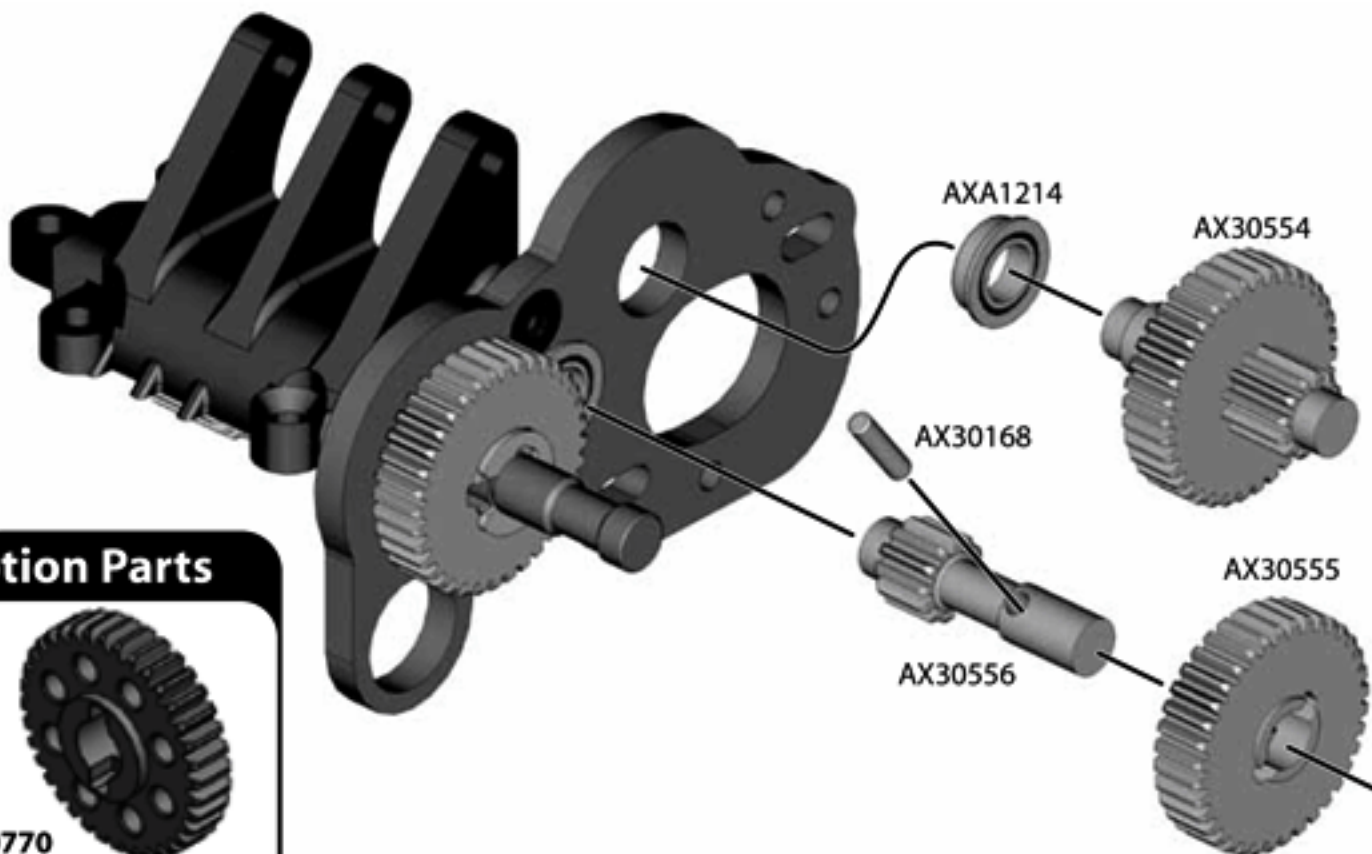


**AX30769**  
Machined 12T-48P Gear 1

### Option Parts



**AX30771**  
Machined 12T-48P Gear 2





**AXA118**  
M3x18mm Hex Socket Button Head x1



**AXA435**  
M3x10mm Hex Socket Tapping Button Head x1

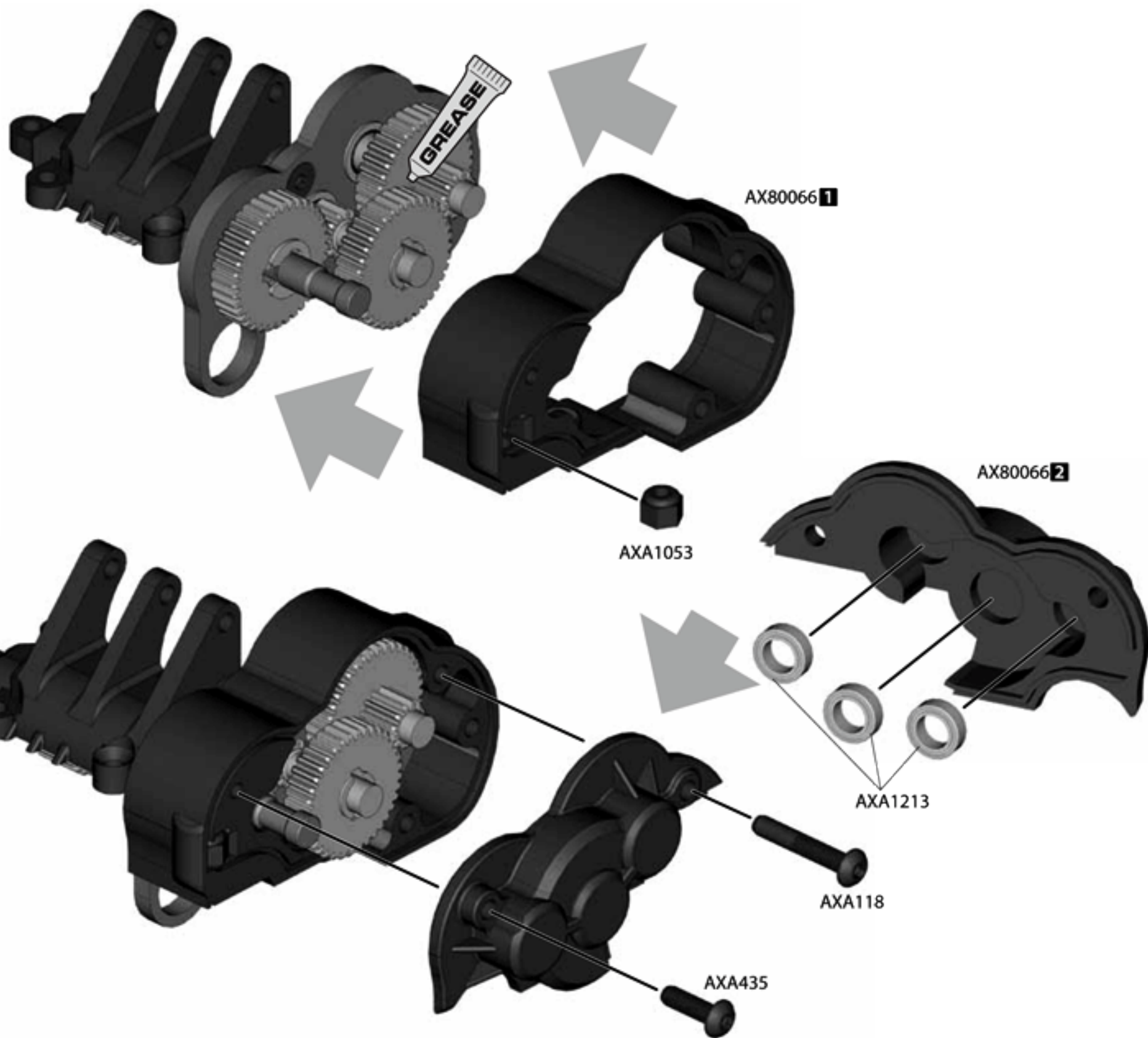


**AXA1053**  
M3 Nylon Locking Hex Nut x1



**AXA1213**  
Bearing 5x8x2.5mm x3

**18**



**Recommended Motor**



**45-55t 540**



**12-35t 540**

(Motors Not included)

**AXA180**  
M3x3mm Set Screw x1



**AXA084**  
M3x8mm Cap Head x2



**AXA118**  
M3x18mm Hex Socket Button Head x2

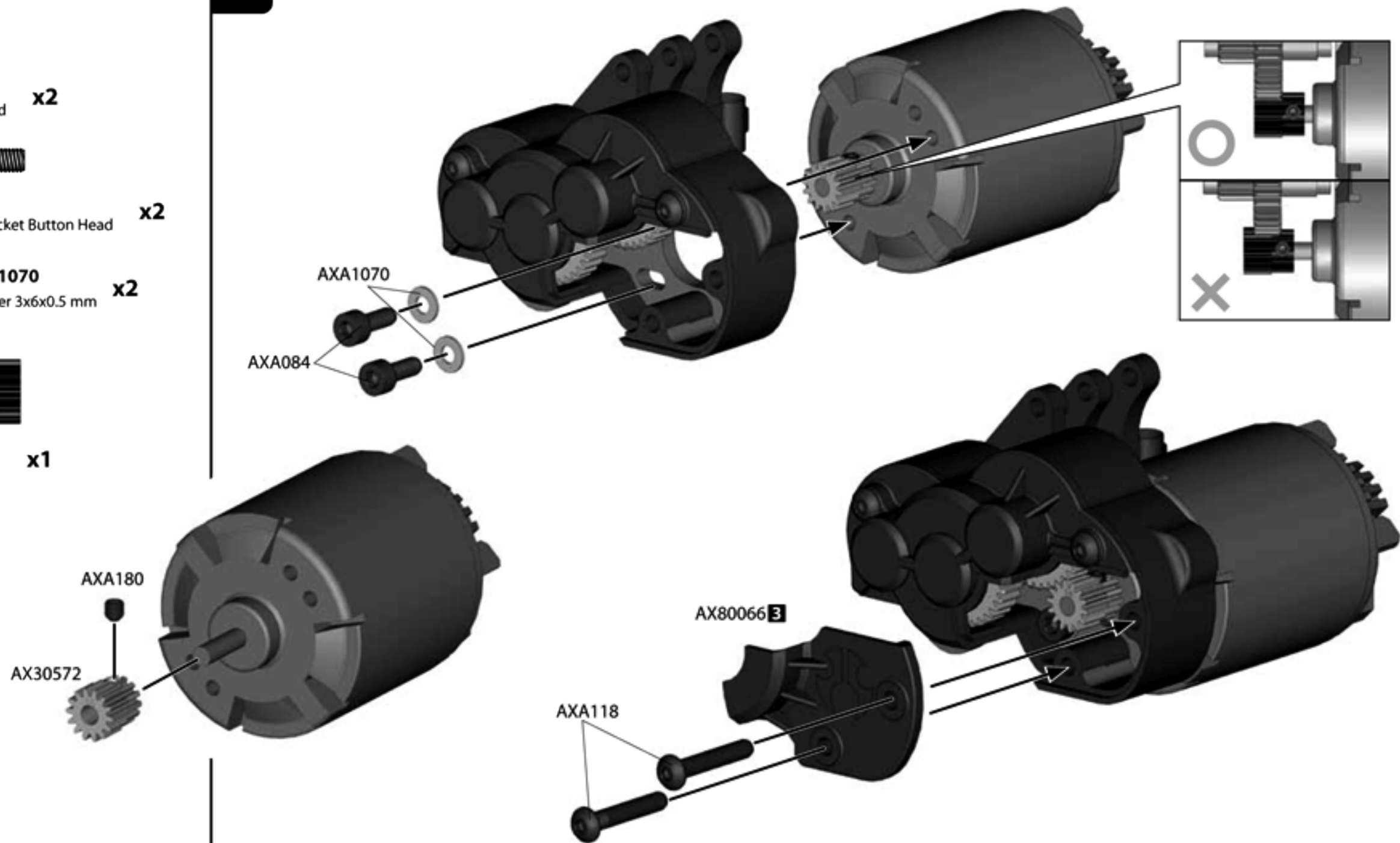


**AXA1070**  
Washer 3x6x0.5 mm x2



**AX30572**  
Pinion 48DP 14T x1

**19**

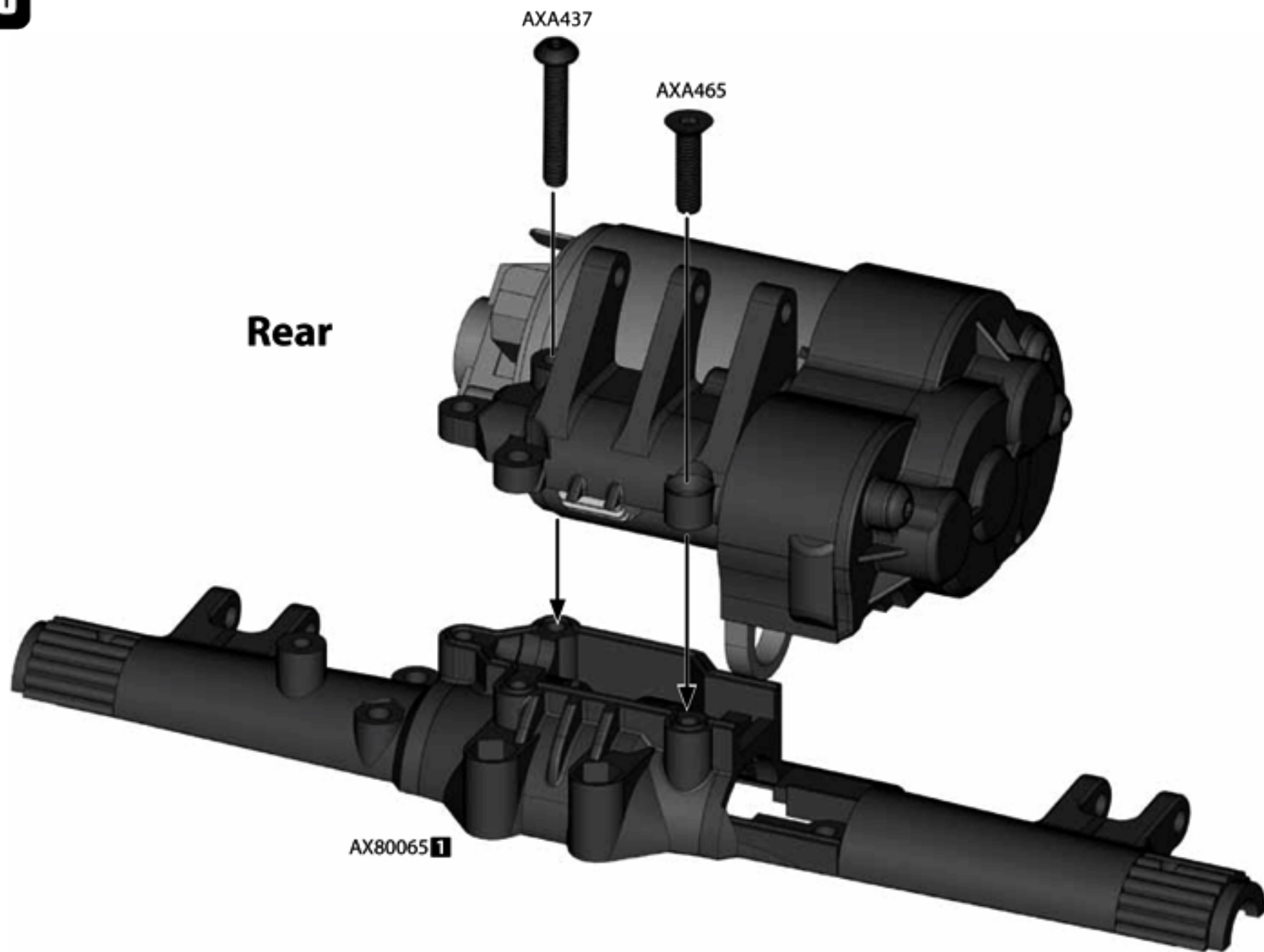




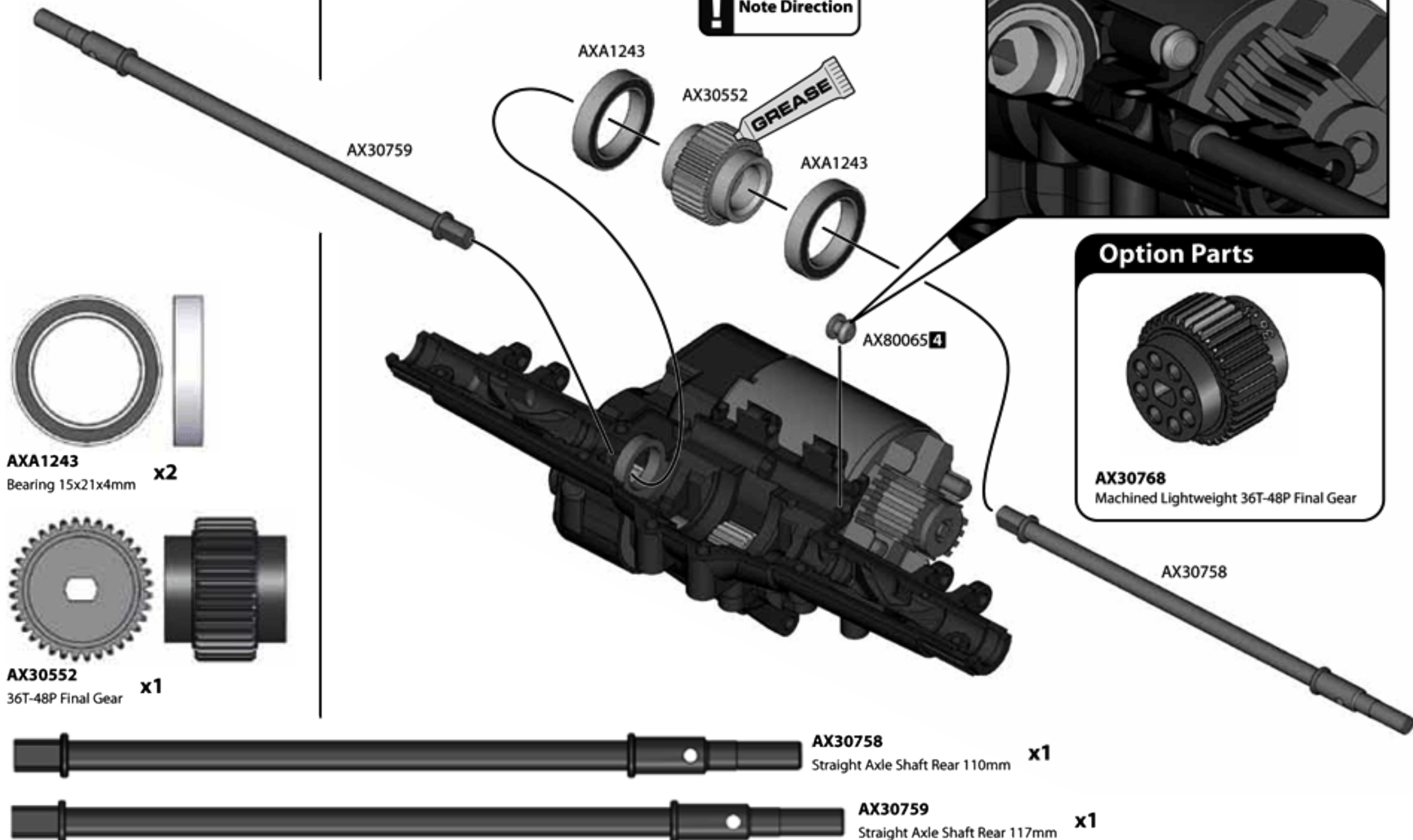
**AXA437**  
M3x15mm Hex Socket Tapping Button Head x1



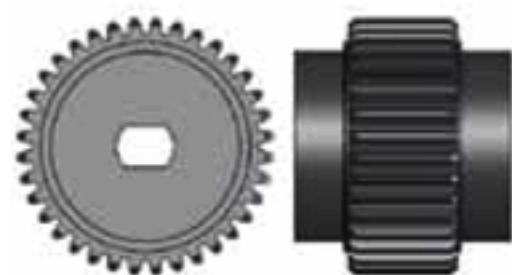
**AXA465**  
M3x10mm Hex Socket Tapping Flat Head x1



**Note Direction**



**AXA1243**  
Bearing 15x21x4mm x2



**AX30552**  
36T-48P Final Gear x1

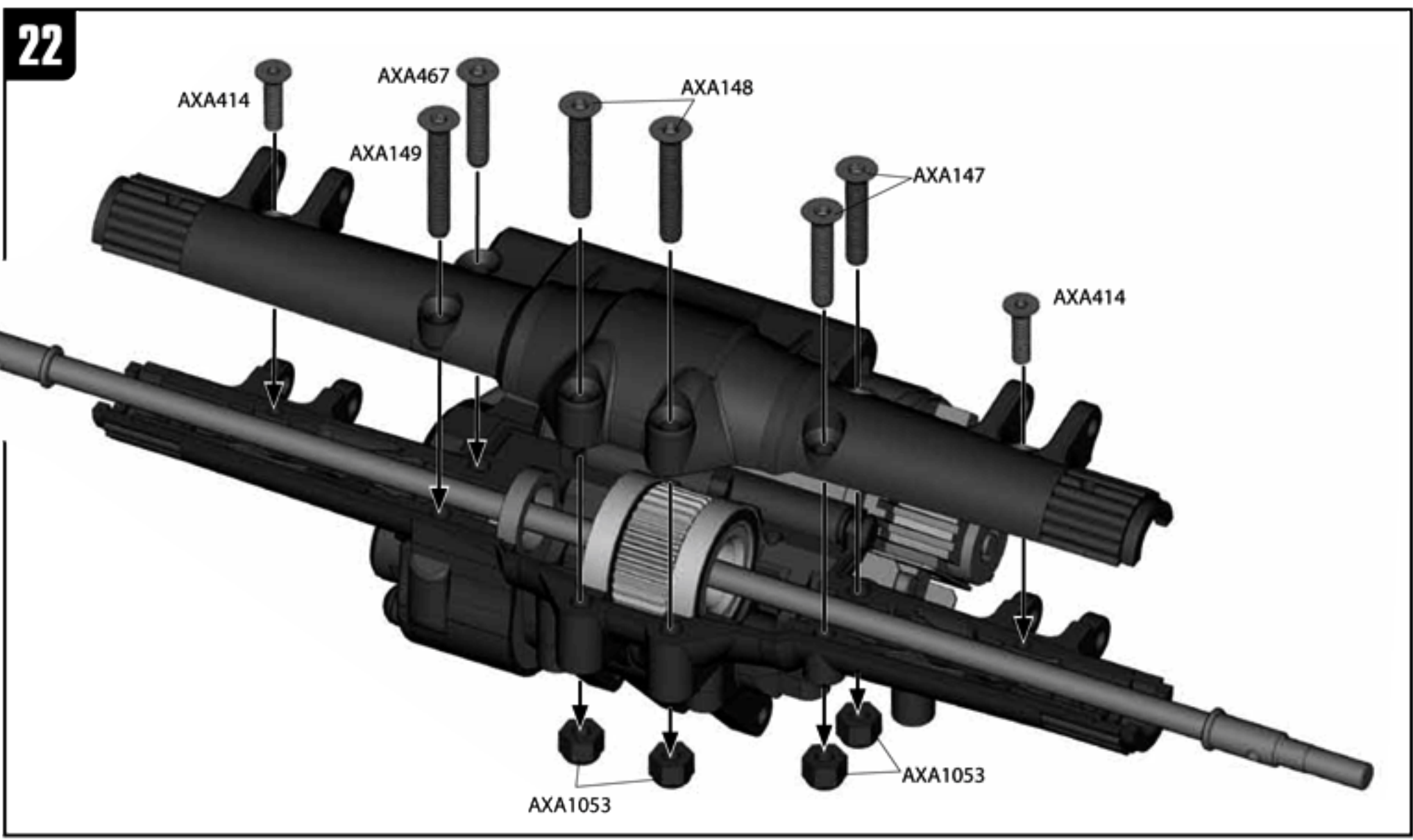
**Option Parts**

**AX30768**  
Machined Lightweight 36T-48P Final Gear

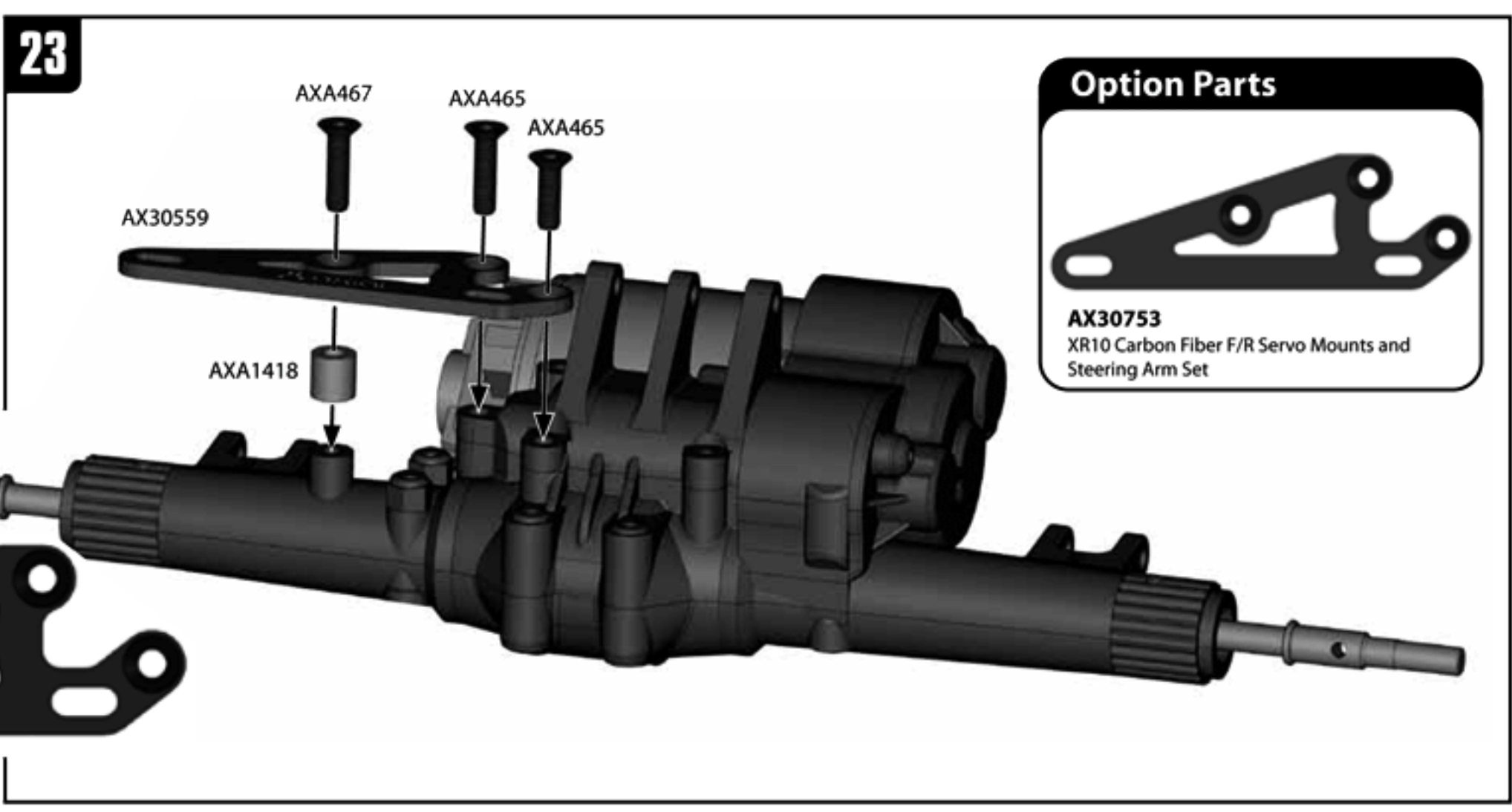
**AX30758**  
Straight Axle Shaft Rear 110mm x1

**AX30759**  
Straight Axle Shaft Rear 117mm x1

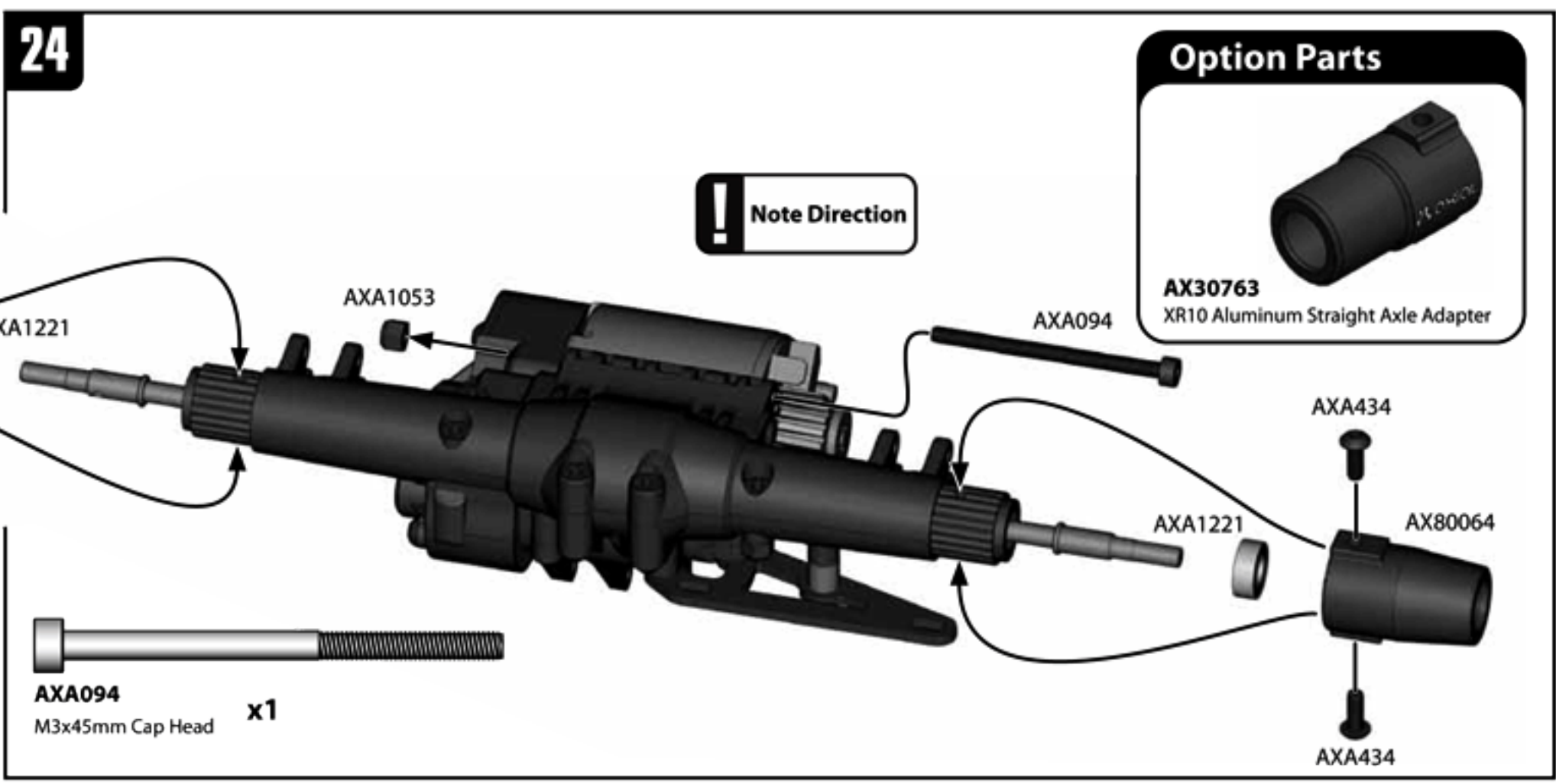
- AXA147**  
M3x16mm Hex Socket Flat Head **x2**
- AXA148**  
M3x18mm Hex Socket Flat Head **x2**
- AXA149**  
M3x20mm Hex Socket Flat Head **x1**
- AXA414**  
M2.6x10mm Hex Socket Tapping Flat Head **x2**
- AXA467**  
M3x15mm Hex Socket Tapping Flat Head **x1**
- AXA1053**  
M3 Nylon Locking Hex Nut **x4**



- AXA465**  
M3x10mm Hex Socket Tapping Flat Head **x2**
- AXA467**  
M3x15mm Hex Socket Tapping Flat Head **x1**
- AXA1418**  
6x6x3mm Spacer **x1**



- AX30559**  
XR10 Rear Axle Plate **x1**
- AXA434**  
M3x8mm Hex Socket Tapping Button Head **x4**
- AXA1053**  
M3 Nylon Locking Hex Nut **x1**
- AXA1221**  
Bearing 5x11x4mm **x2**
- AXA094**  
M3x45mm Cap Head **x1**



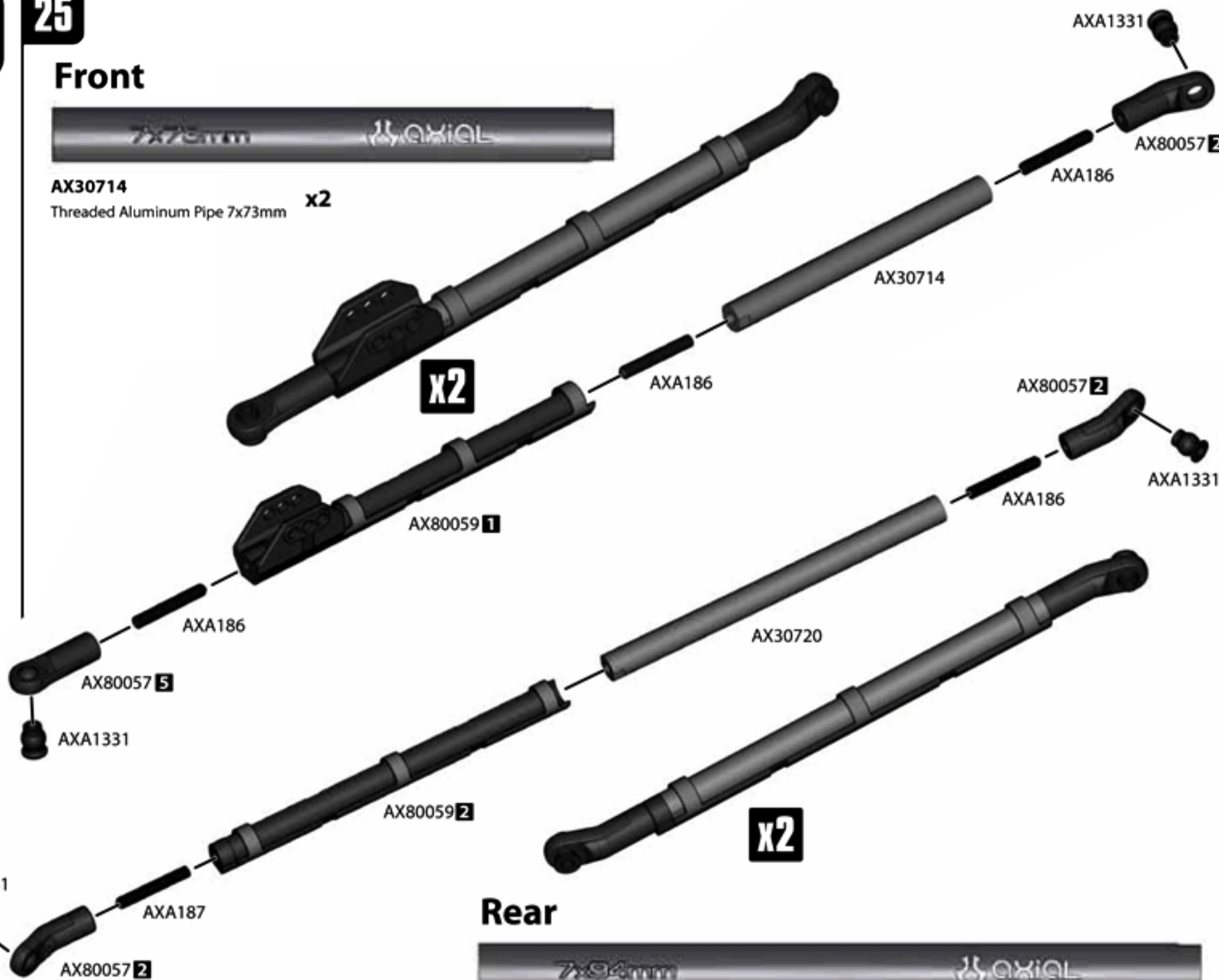


25

Front



AX30714  
Threaded Aluminum Pipe 7x73mm x2

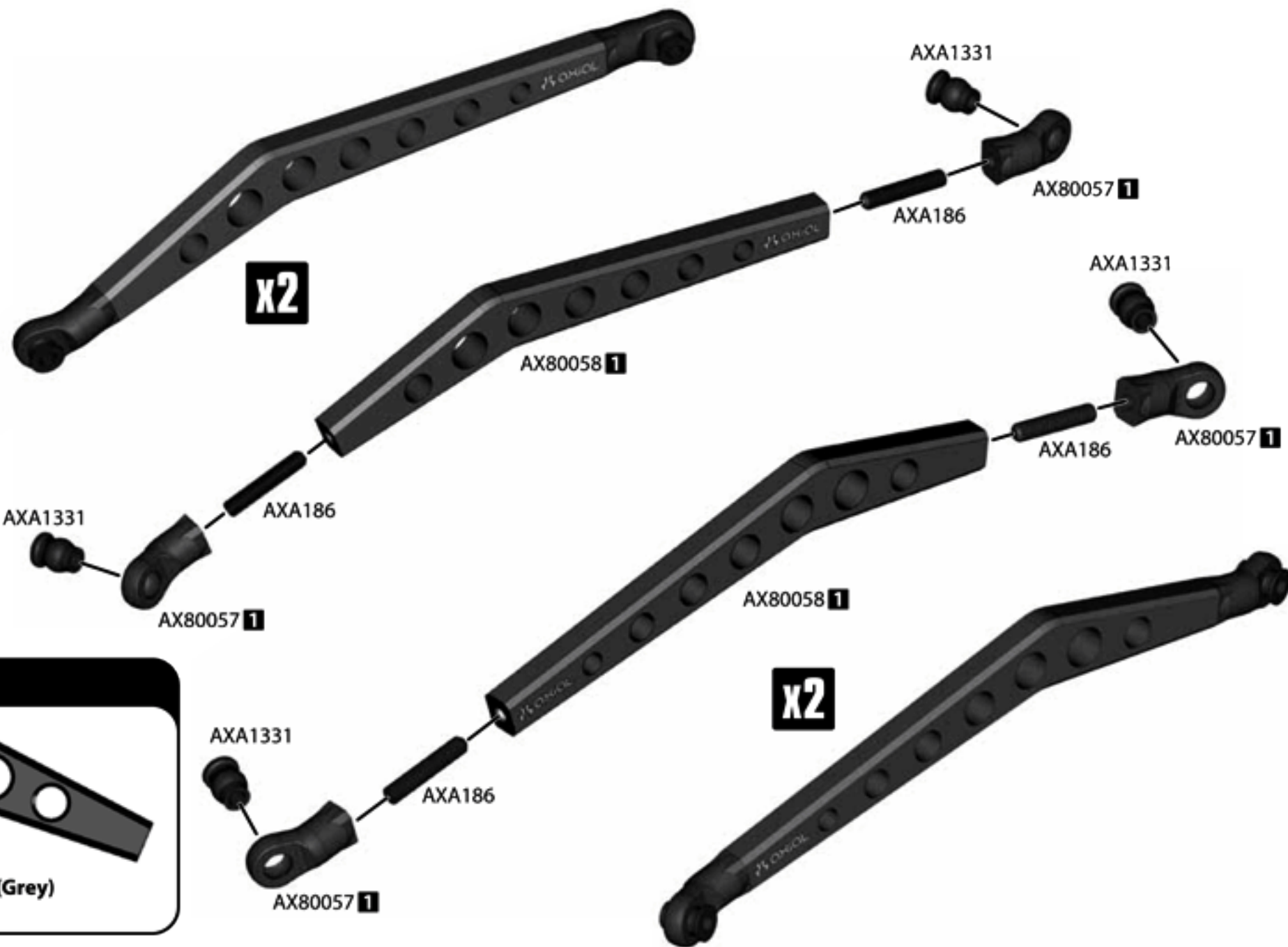


Rear



AX30720  
Threaded aluminum Pipe 7x94mm x2

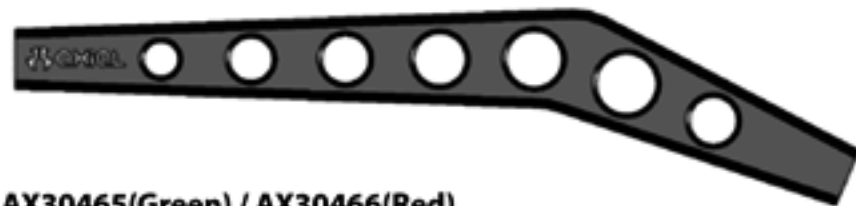
26



AXA186  
M3x16mm Set Screw x8

AXA1331  
Flanged Ball 3x5.8x7mm x8

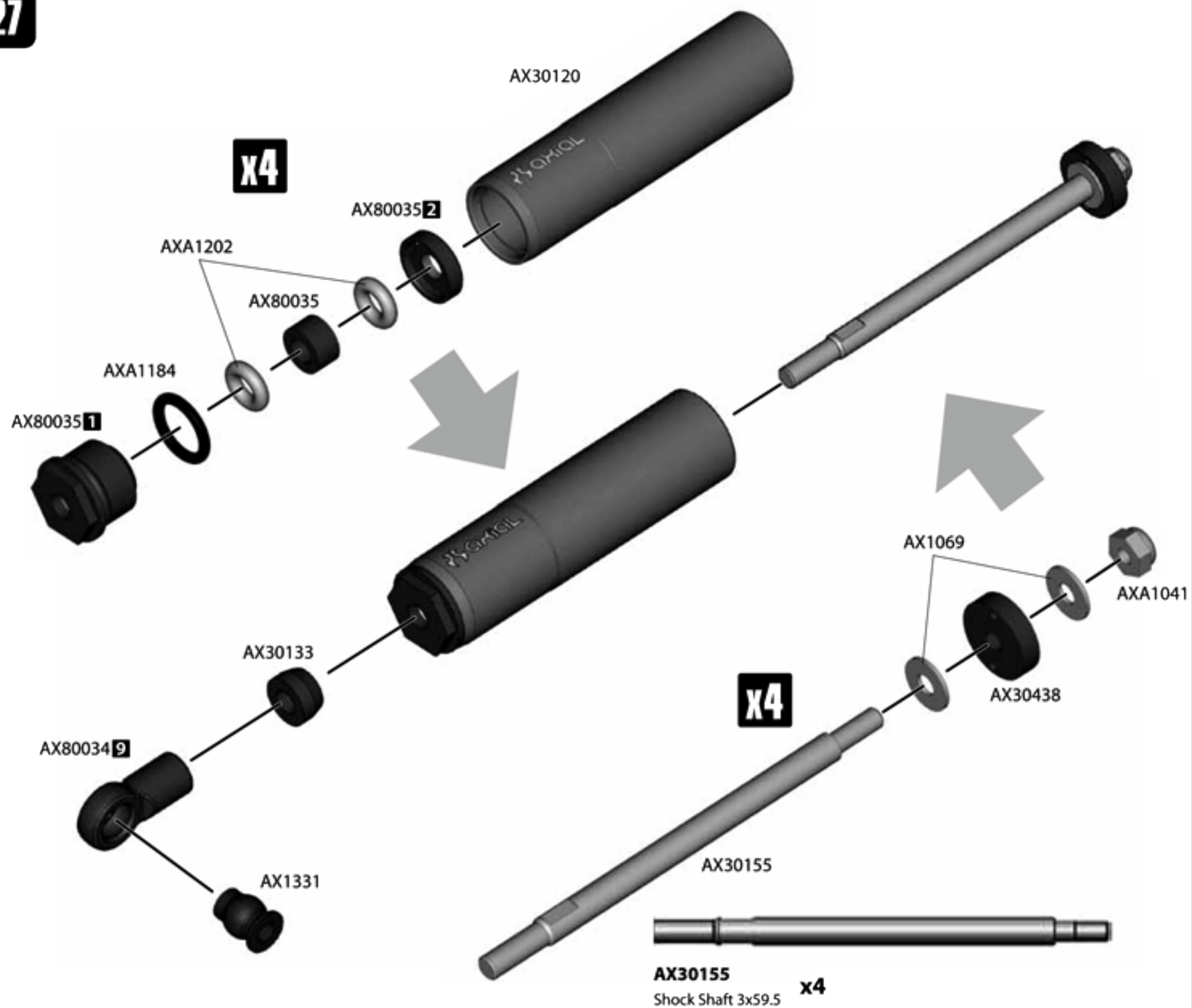
Option Parts



AX30465(Green) / AX30466(Red)  
AX30467(Blue) / AX30468(Orange) / AX30469(Grey)  
Machined Hi-Clearance Links Set

**F****Open Bag F****27**

-  **AXA1041**  
M2.5 Nylon Lock Nut **x4**
-  **AXA1069**  
Washer 2.7x6.7x0.5mm **x8**
-  **AXA1184**  
O-Ring 7.5x1.5mm **x4**
-  **AXA1202**  
O-Ring 3.5x2mm **x8**
-  **AXA1331**  
Flanged Ball 3x5.8x7mm **x4**
-  **AX30113**  
Rubber Bump Stop 3.6x7x4 **x4**
-  **AX30438**  
10mm Machined Piston **x4**



**AX30112**  
Shock Diaphragm 13x4.5mm **x4**

**28****x4****Option Parts**

**AX30110**  
13mm Aluminum Preload Collar

**Option Parts**

**AX30111**  
Aluminum Shock Cap



**AX80035 3**



**AX30112**



**AX80035 4**

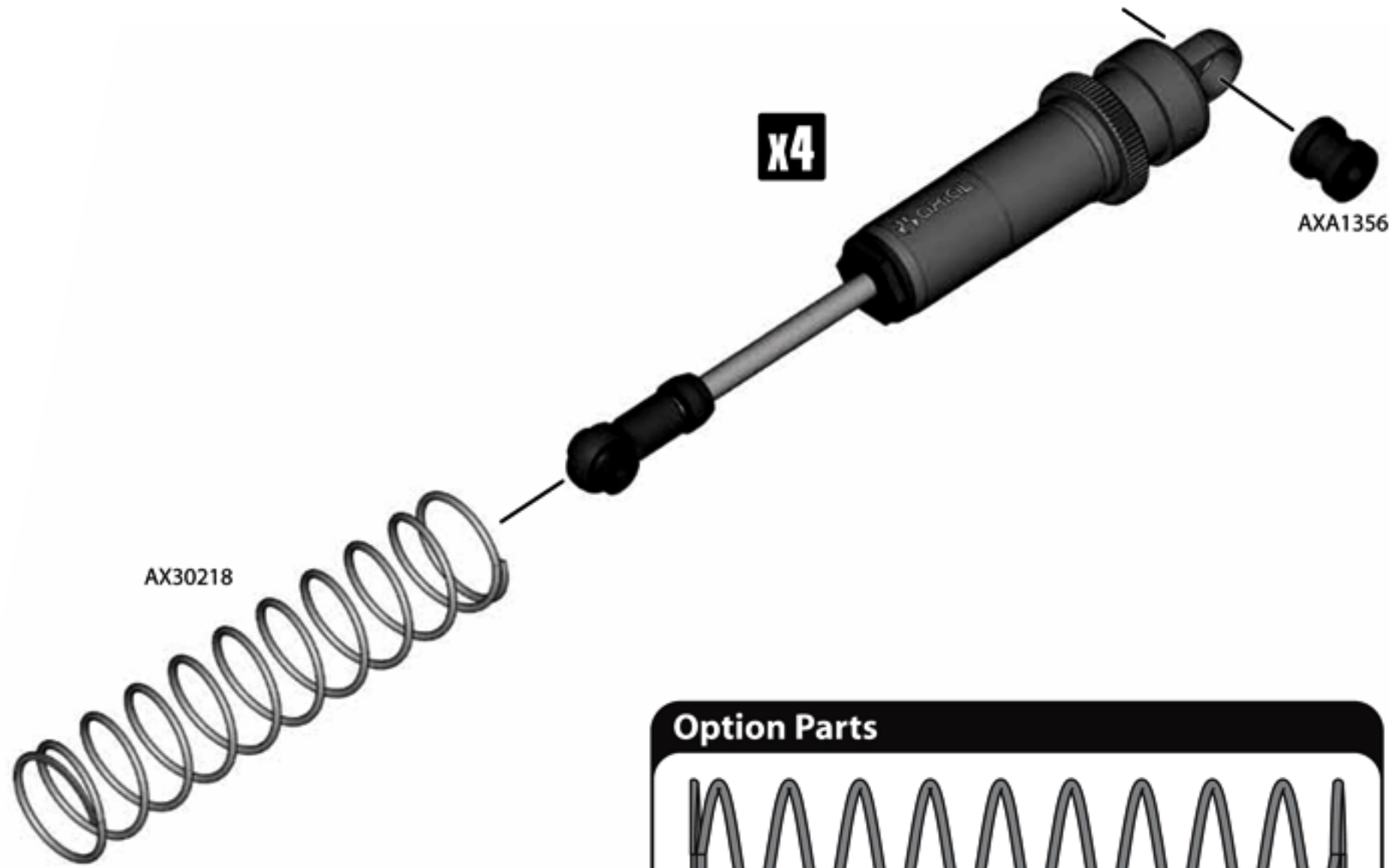




**AXA1356**  
Silicone Shock Bushing 7.5x8mm **x4**



**AX80034 6**



**x4**

**AXA1356**

**AX30218**

**Option Parts**



**AX30218**  
Spring 14x70mm 2.07 lbs-in - Super Soft

**AX30219**  
Spring 14x70mm 2.47 lbs-in - Soft

**AX30220**  
Spring 14x70mm 2.85 lbs-in - Medium

**AX30221**  
Spring 14x70mm 2.85 lbs-in - Medium

**AX30222**  
Spring 14x70mm 3.55 lbs-in - Super Firm

**Pistons**

**Standard Pistons**

Provides the same dampening rate on both compression and extension

**AX80033 2** **Soft**  
(2) 1.3mm holes

**AX80033 3** **Medium**  
(3) 1.2mm holes

**AX80033 4** **Firm**  
(3) 1.1mm holes

Less



More

**Variable Rate Pistons**

Provides a different dampening rate depending on which direction you install.

**AX80033 5**

**AX80033 6**

**AX80033 5**

**AX80033 6**

**AX80033 6**

**AX80033 5**

Install this direction for faster rebound and slower compression

Install this direction for Slower rebound and faster compression

**Springs/Oil**



**Springs**

Depending on the application you may want a firmer spring than what is included. Selecting a spring rate is based on each vehicles weight and handling and usually will require some trial and error.

For rock crawling applications it is recommended to use a stiffer spring on which ever corner is exhibiting torque twist.

**Oil**

Oils are another element you can use to tune the handling of your vehicle. You want an oil that allows the vehicle to handle the terrain well, but not too thin as to exhibit a springy bounce while driving.

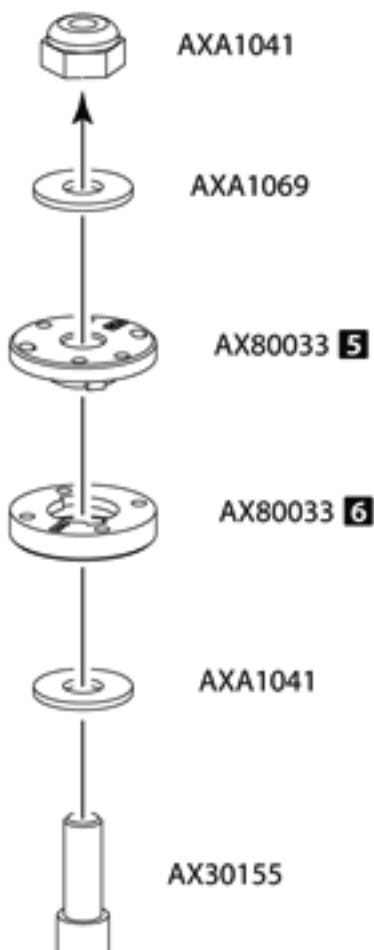
We recommend starting with a good 30 wt. silicone oil. If you are looking for a faster rebound/compression rate use a lower weight oil. If you are looking for a slower rebound compression rate use a higher weight oil.

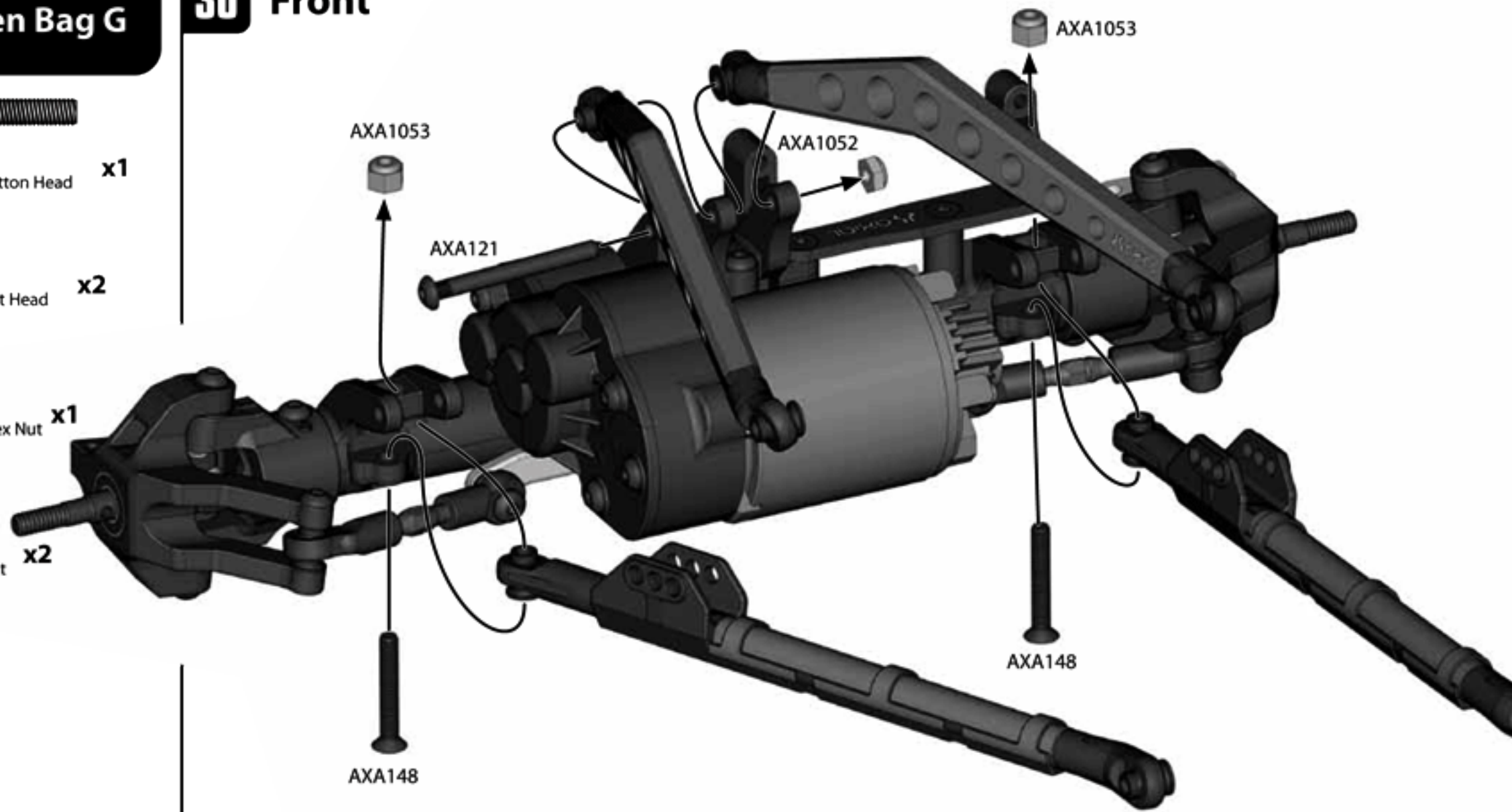
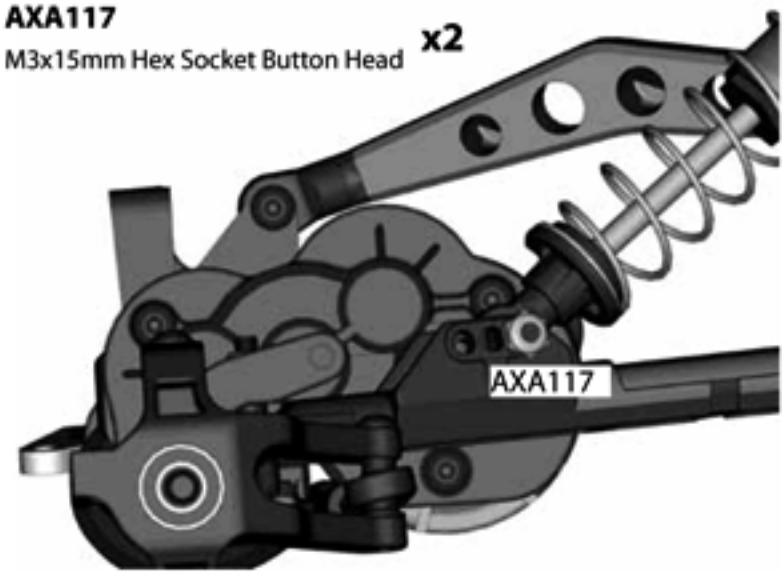
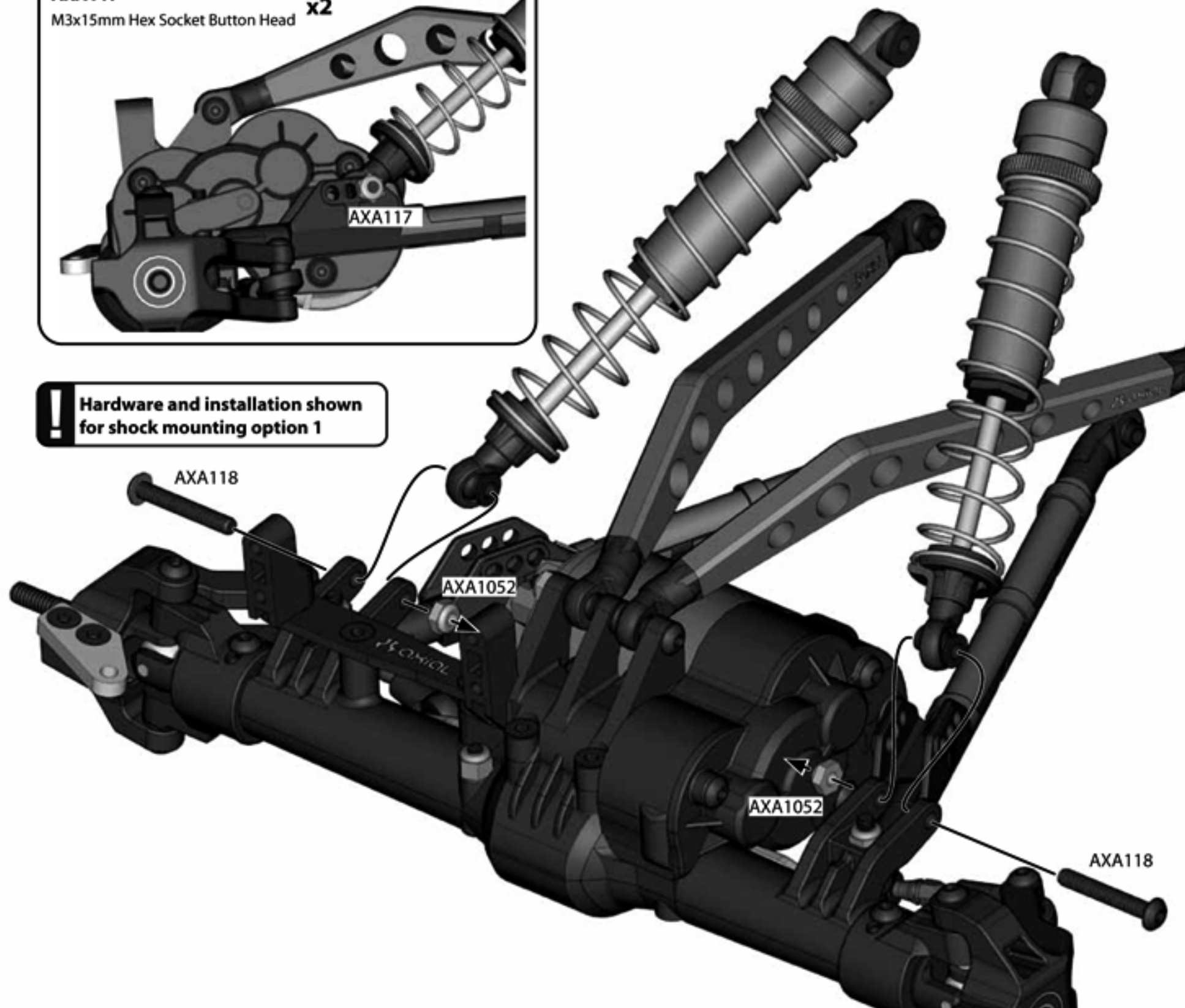
**10wt.**

**100wt.**



**Installation**



**30 Front****AXA121**  
M3x30mm Hex Socket Button Head **x1****AXA148**  
M3x18mm Hex Socket Flat Head **x2****AXA1052**  
M3 Thin Nylon Locking Hex Nut **x1****AXA1053**  
M3 Nylon Locking Hex Nut **x2****AXA118**  
M3x18mm Hex Socket Button Head **x2****AXA1052**  
M3 Thin Nylon Locking Hex Nut **x2****31****Shock Mounting Option****AXA117**  
M3x15mm Hex Socket Button Head **x2****Hardware and installation shown for shock mounting option 1**

### 32 Rear



**AXA118**  
M3x18mm Hex Socket Button Head **x2**



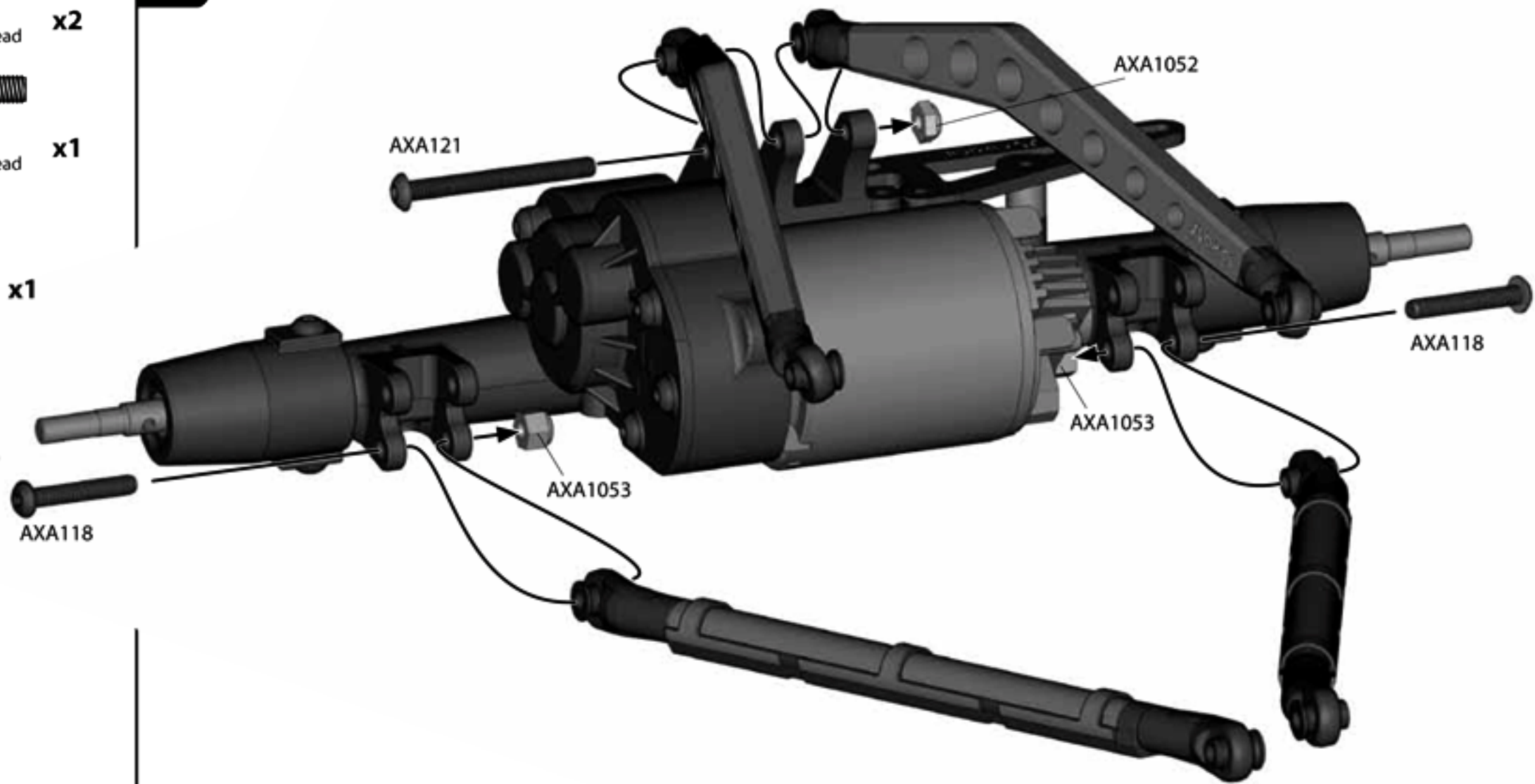
**AXA121**  
M3x30mm Hex Socket Button Head **x1**



**AXA1052**  
M3 Thin Nylon Locking Hex Nut **x1**



**AXA1053**  
M3 Nylon Locking Hex Nut **x2**

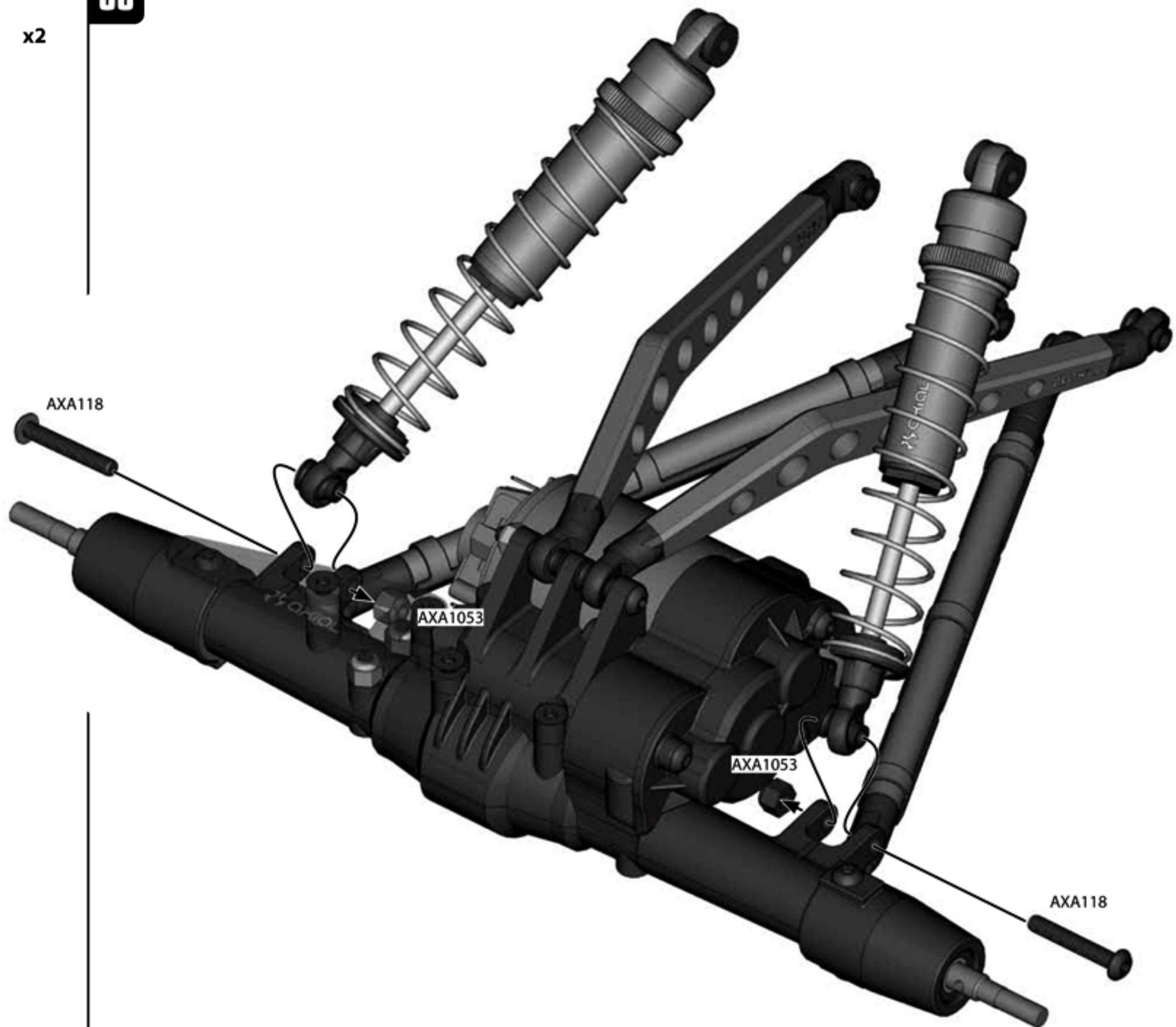


**AXA118**  
M3x18mm Hex Socket Button Head **x2**



**AXA1053**  
M3 Nylon Locking Hex Nut **x2**

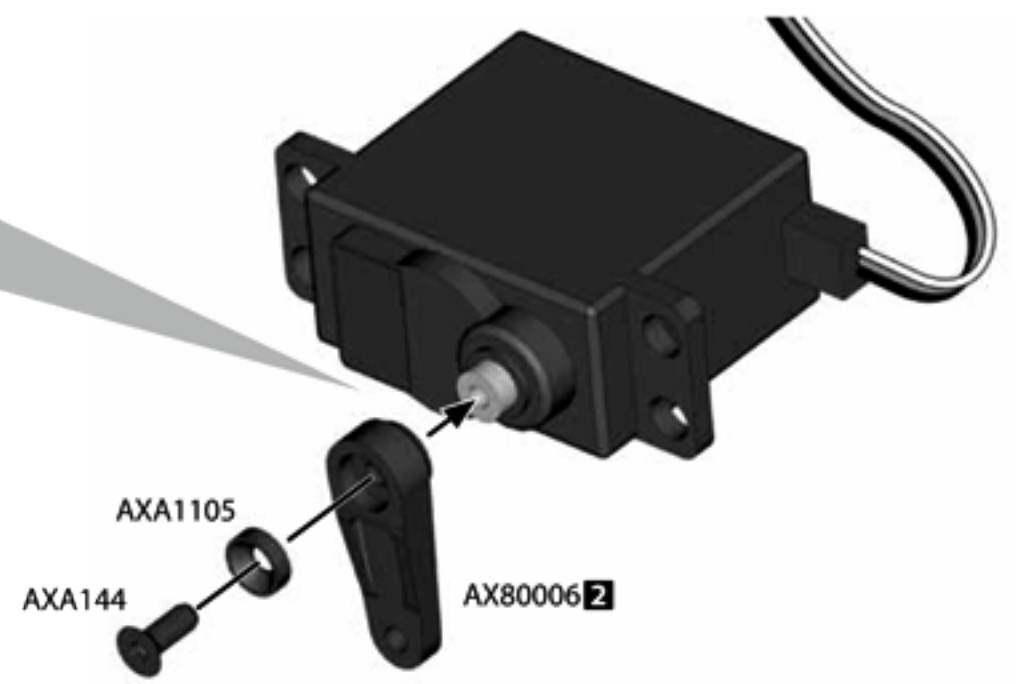
### 33



- AXA144**  
M3x8mm Hex Socket Flat Head **x1**
- AXA1105**  
Cone Washer 3x7x2mm **x1**

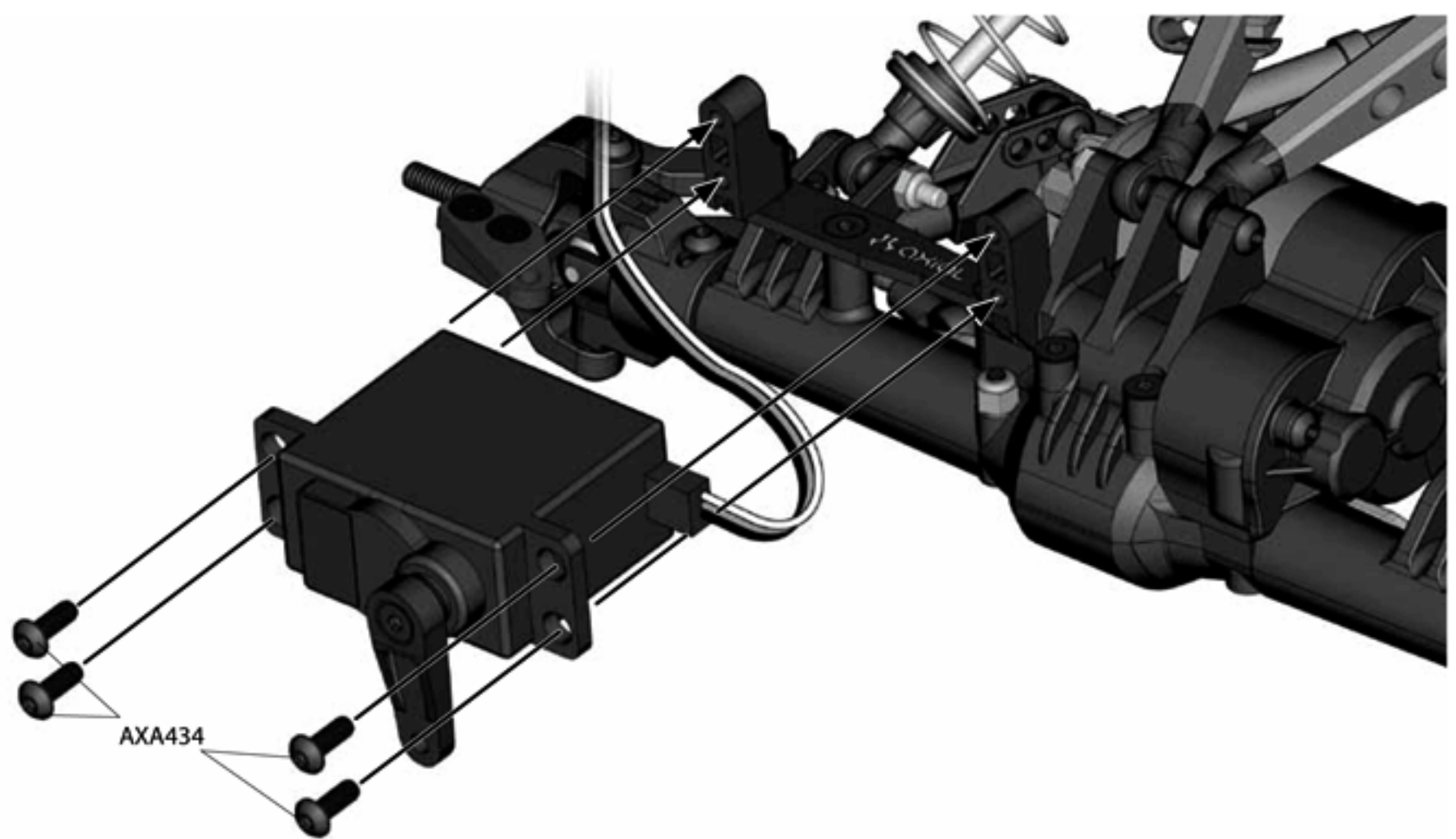
**34**

- AX80006 **7**  
**23** **Airtronics / JR / KO**
- AX80006 **3**  
**24** **Hitec**
- AX80006 **5**  
**25** **Futaba**



- AXA434**  
M3x8mm Hex Socket Tapping Button Head **x4**

**35**



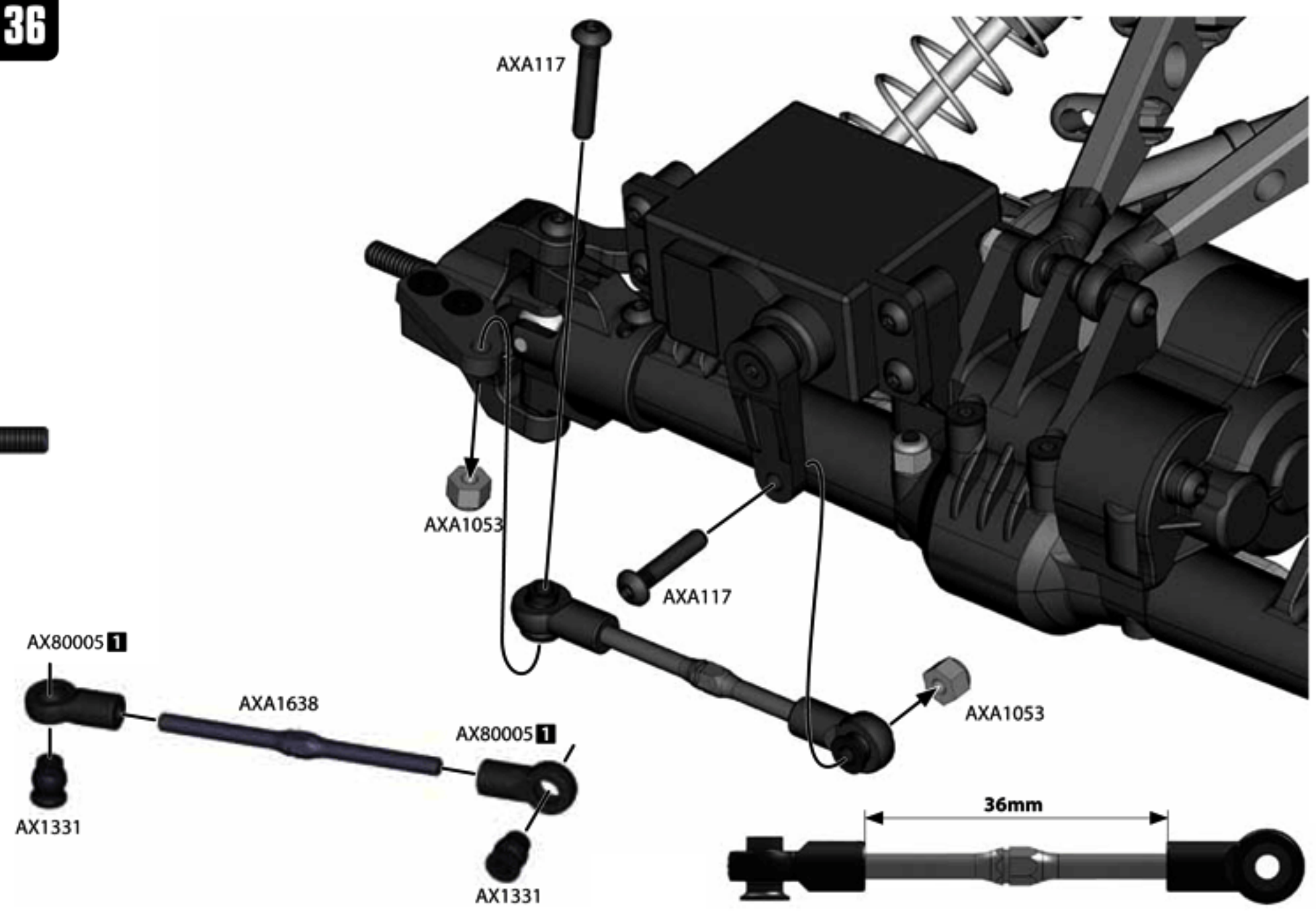
- AXA117**  
M3x15mm Hex Socket Button Head **x2**

- AXA1053**  
M3 Nylon Locking Hex Nut **x2**

- AXA1331**  
Flanged Ball 3x5.8x7mm **x2**

- AXA1638**  
M3x50 Turnbuckle **x1**

**36**





**AXA115**  
M3x10mm Hex Socket Button Head **x4**



**AXA118**  
M3x18mm Hex Socket Button Head **x4**



**AXA1040**  
M3 Thin Hex Nut **x4**



**AXA1052**  
M3 Thin Nylon Locking Hex Nut **x4**

AXA1040



AX30561

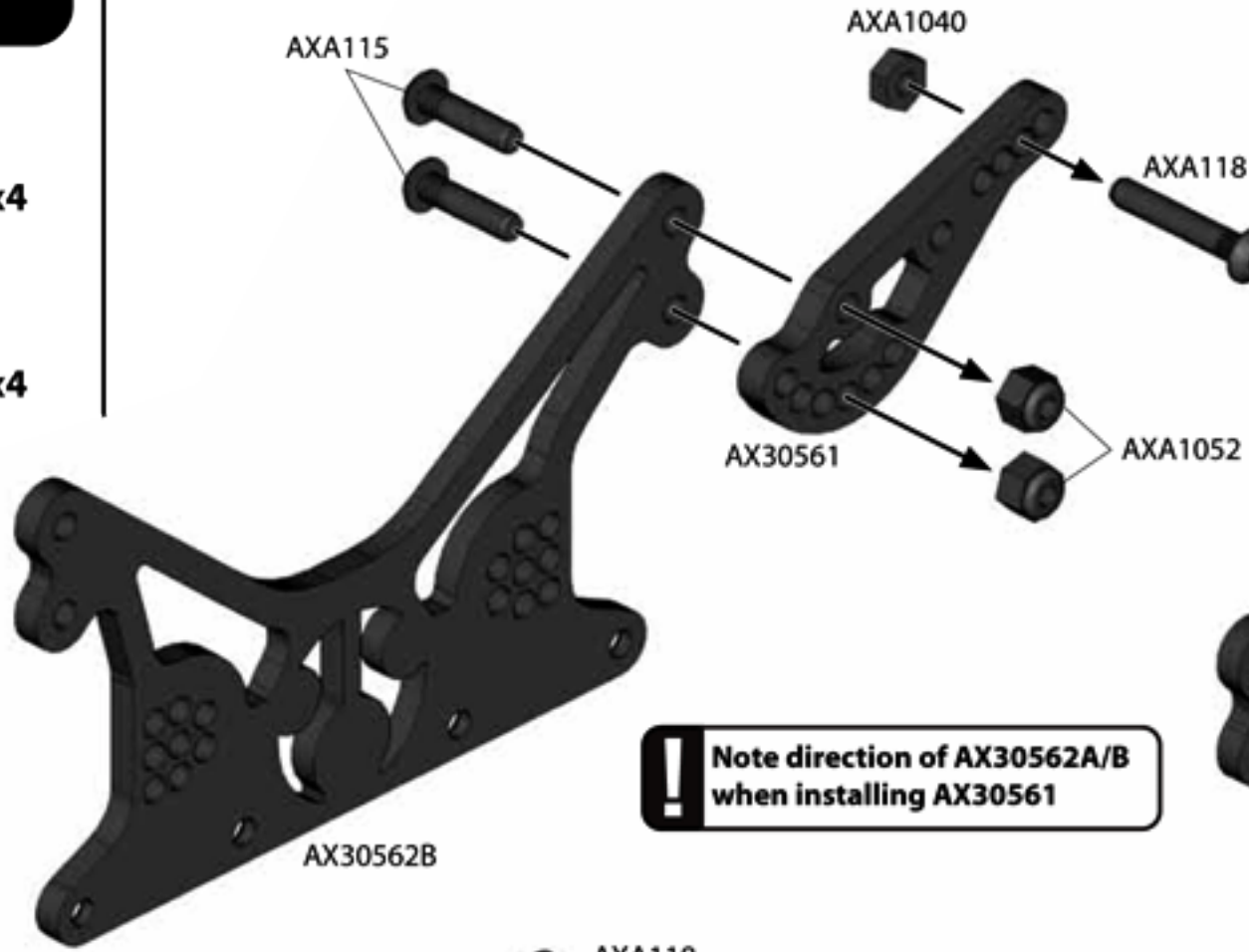
AXA118

AXA118

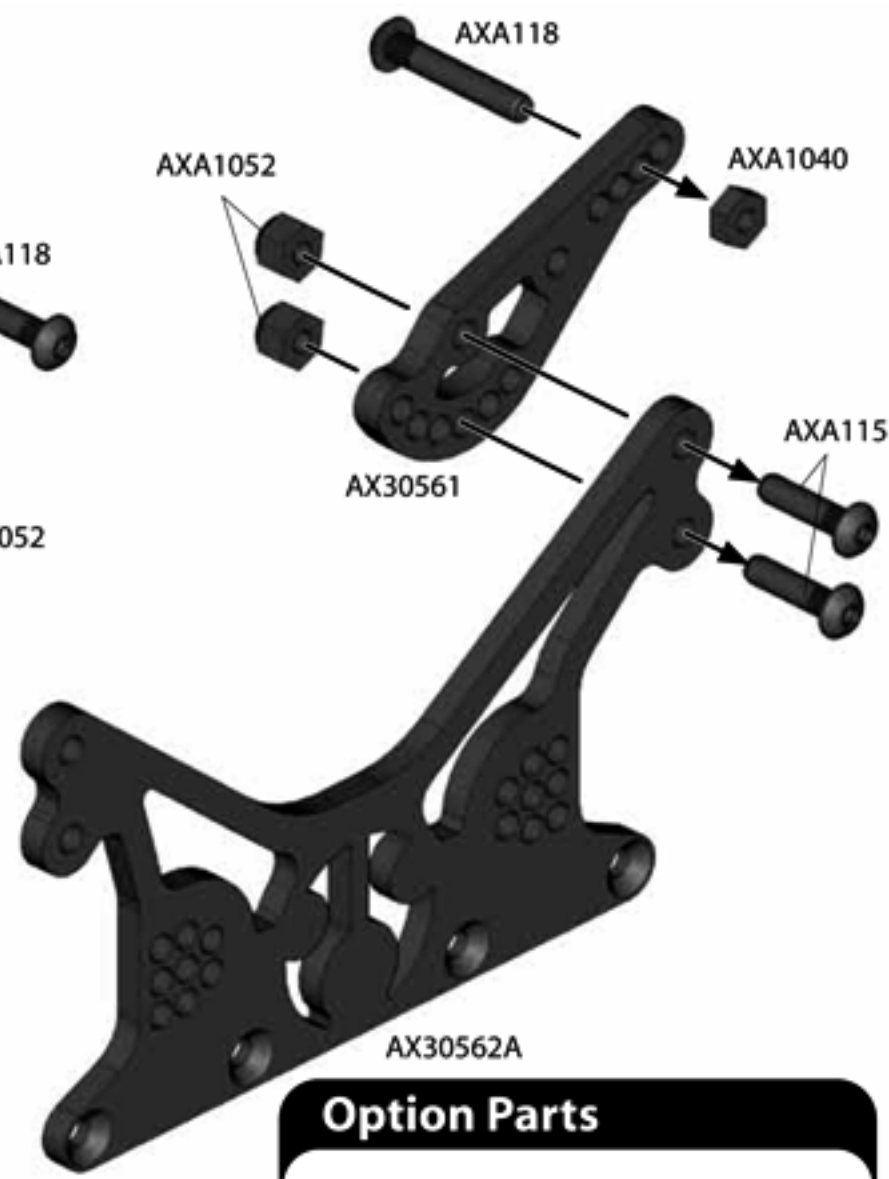


AX30561

AXA1040



**!** Note direction of AX30562A/B when installing AX30561



**Option Parts**

**AX30752**  
XR10 Carbon Fiber Shock Mounts



**AXA117**  
M3x15mm Hex Socket Button Head **x2**



**AXA464**  
M3x8mm Hex Socket Tapping Flat Head **x4**



**AXA1052**  
M3 Thin Nylon Locking Hex Nut **x2**

**Option Parts**

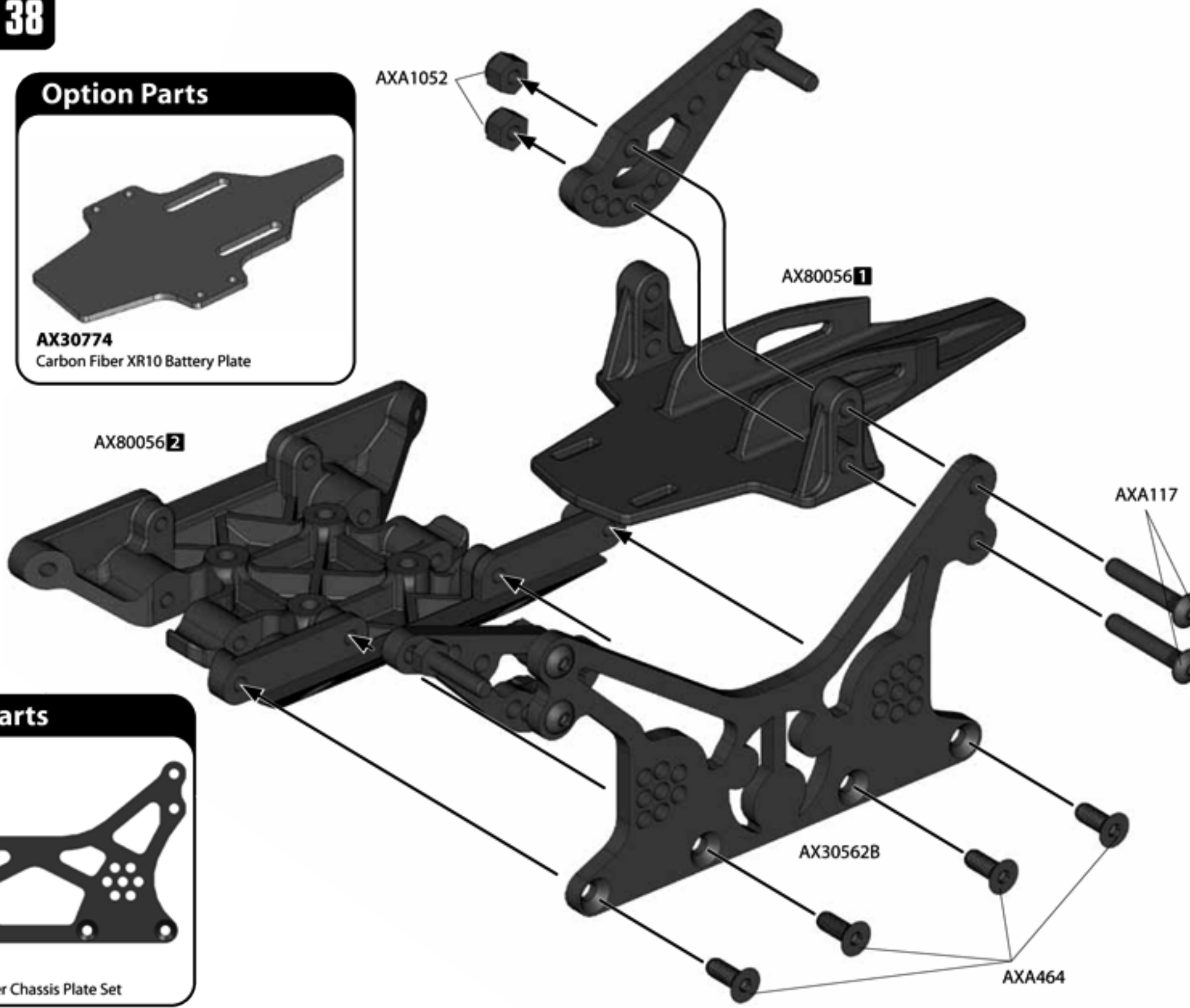
**AX30774**  
Carbon Fiber XR10 Battery Plate

AXA1052



AX80056 **1**

AX80056 **2**



AXA117

AX30562B

AXA464

**Option Parts**

**AX30750**  
XR10 Carbon Fiber Chassis Plate Set

39



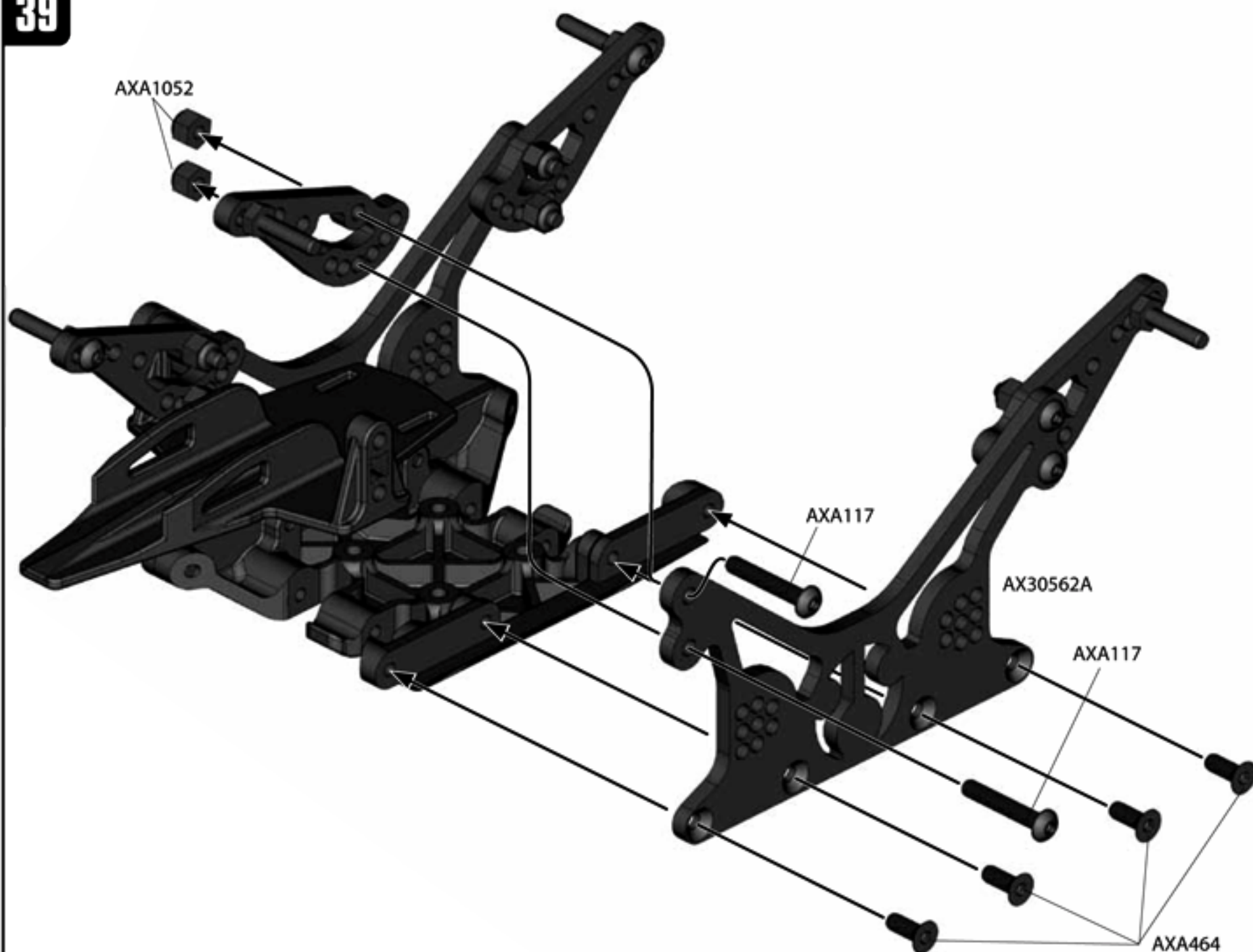
**AXA117**  
M3x15mm Hex Socket Button Head **x2**



**AXA464**  
M3x8mm Hex Socket Tapping Flat Head **x4**



**AXA1052**  
M3 Thin Nylon Locking Hex Nut **x2**



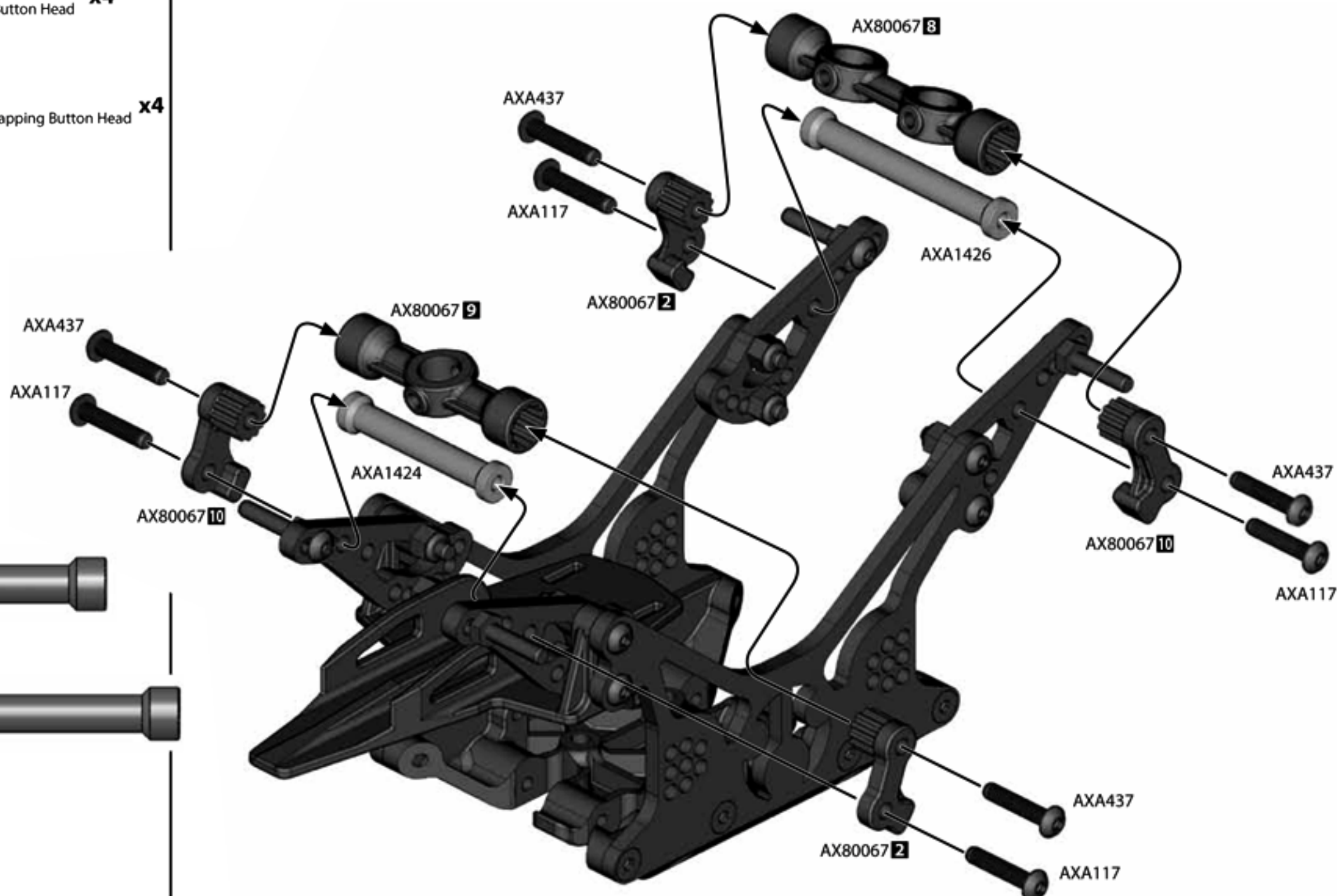
40



**AXA117**  
M3x15mm Hex Socket Button Head **x4**



**AXA437**  
M3x15mm Hex Socket Tapping Button Head **x4**



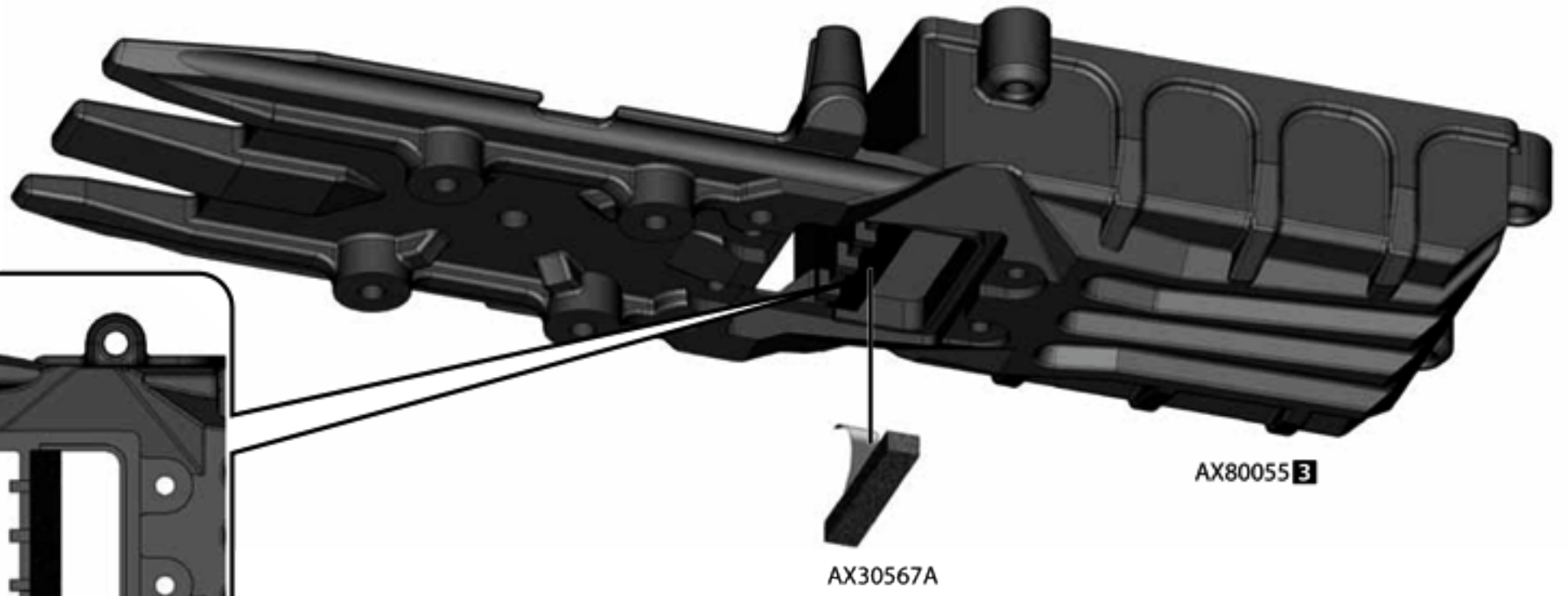
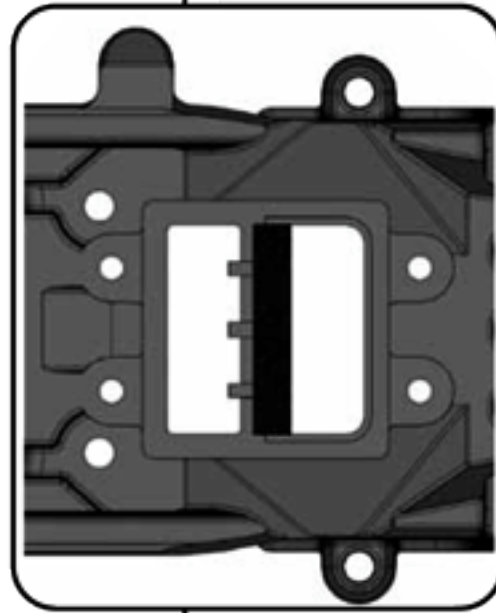
**AXA1424**  
7x35mm Post **x1**



**AXA1426**  
7x45mm Post **x1**



41



AX80055 3

AX30567A

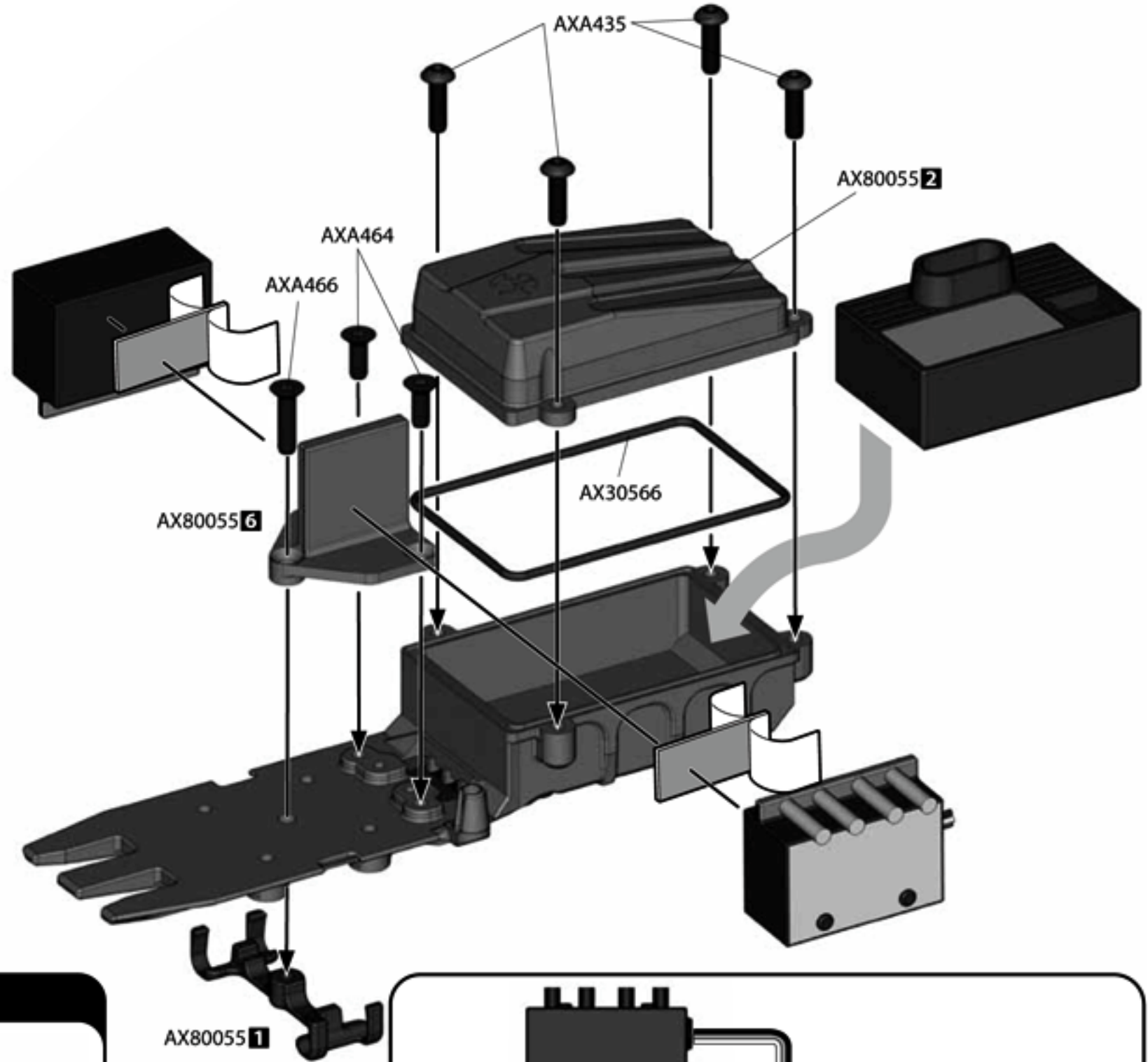
-  **AXA435**  
M3x10mm Tapping **x4**
-  **AXA464**  
M3x8mm Tapping **x2**
-  **AXA466**  
M3x12mm Tapping **x1**

42

Optional ESC Mounting for single ESC, or ESC with larger mounting area



AX80055 4



AXA435

AX80055 2

AXA464

AXA466

AX30566

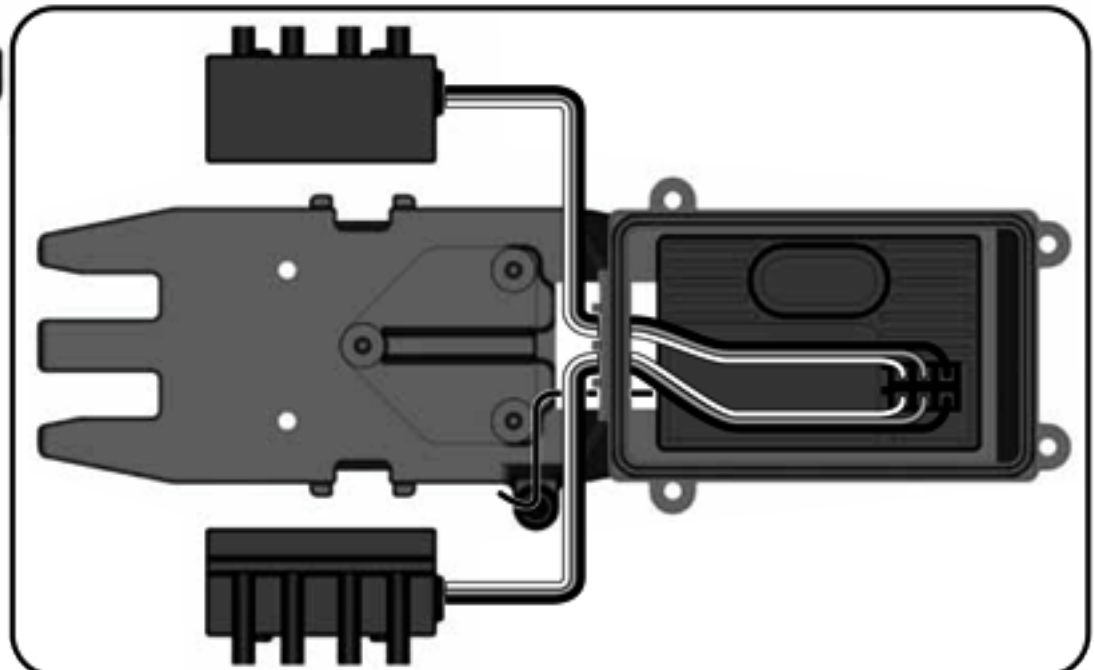
AX80055 5

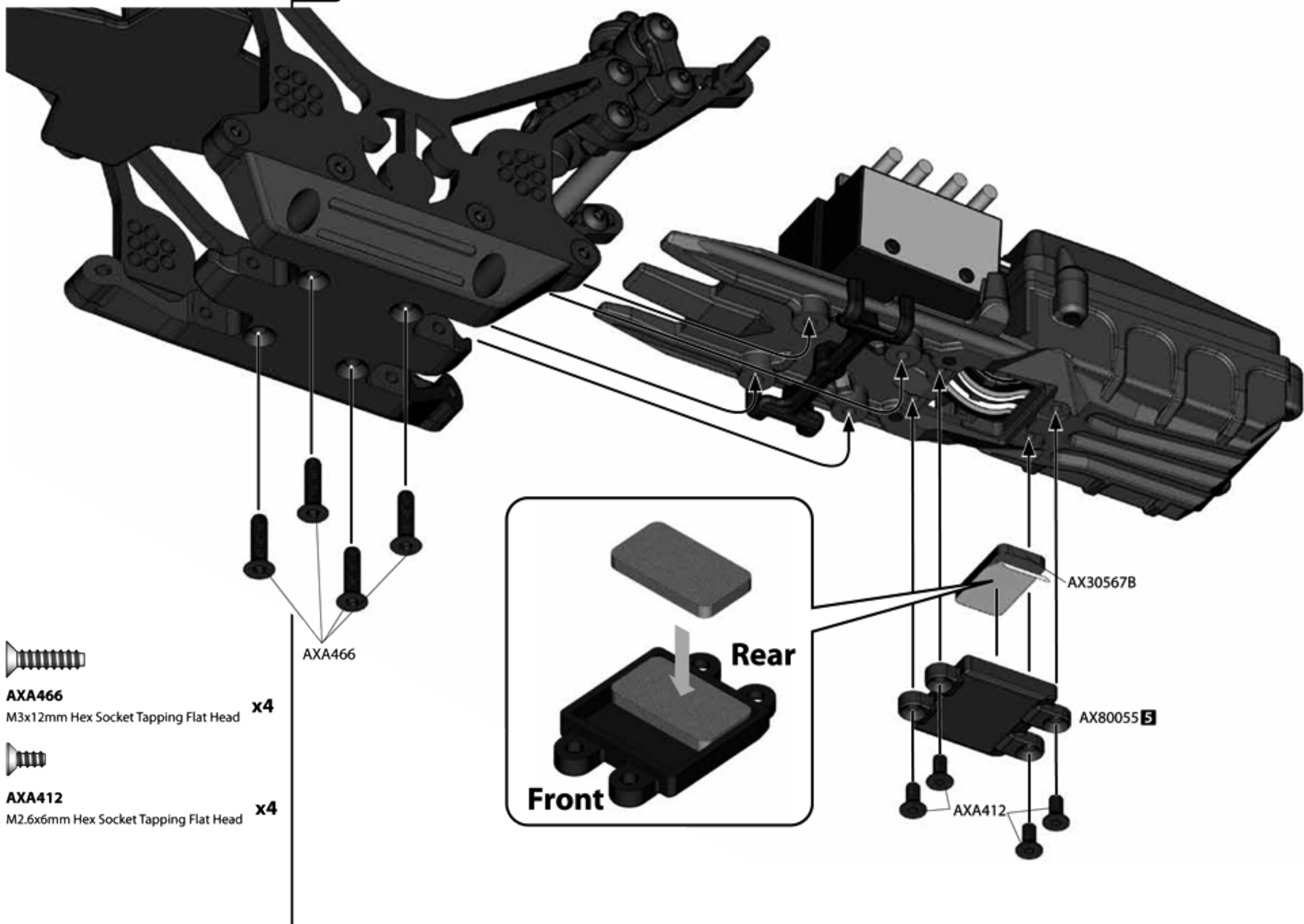
AX80055 1

Option Parts



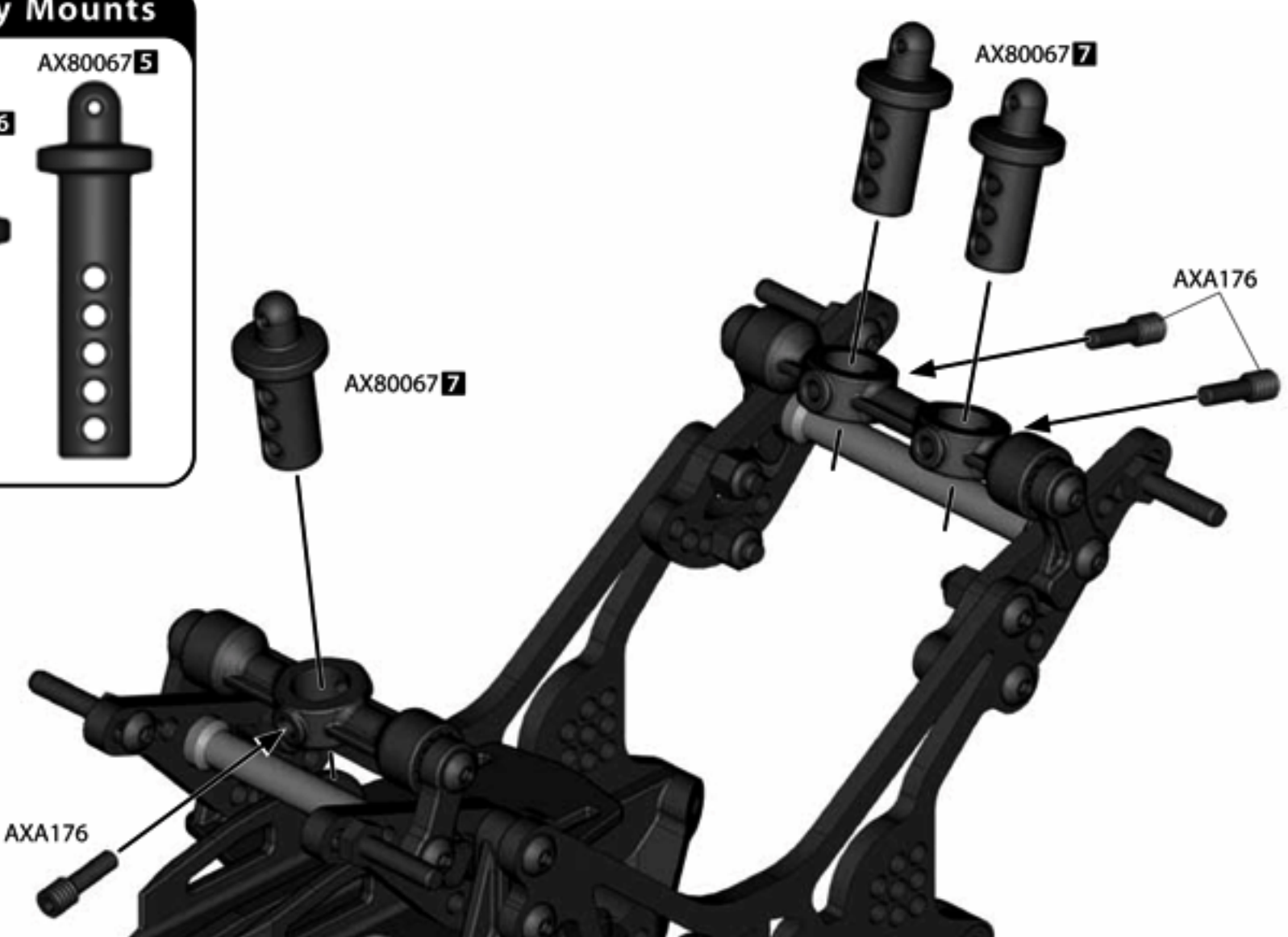
**AX30772**  
Carbon Fiber XR10 Electronics Plate





-  **AXA466**  
M3x12mm Hex Socket Tapping Flat Head **x4**
-  **AXA412**  
M2.6x6mm Hex Socket Tapping Flat Head **x4**

-  **AXA176**  
Screw Shaft M3x2.5x13mm **x3**



**Open Bag I**

**45 Front**



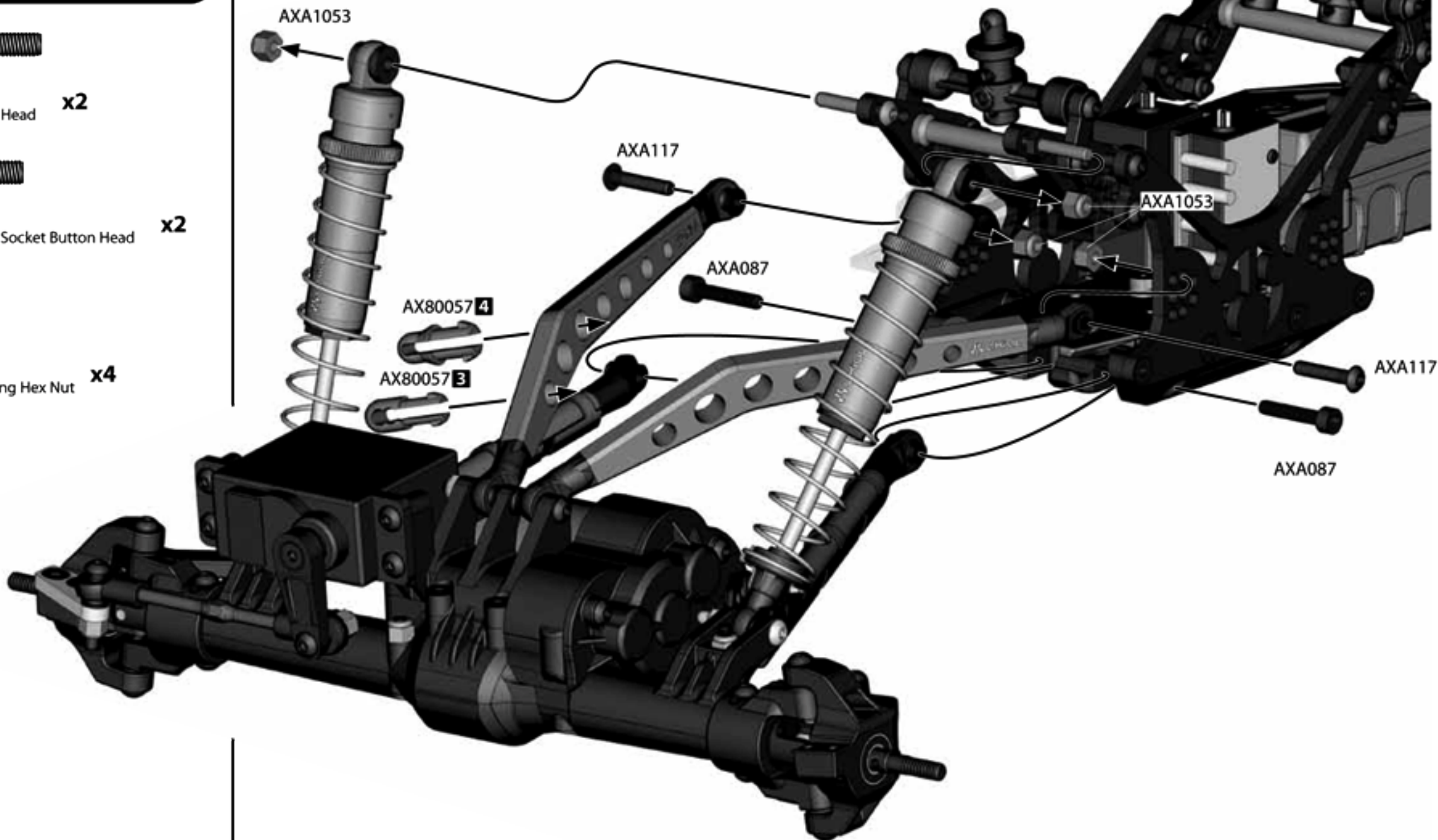
**AXA087**  
M3x16mm Cap Head **x2**



**AXA117**  
M3x15mm Hex Socket Button Head **x2**



**AXA1053**  
M3 Nylon Locking Hex Nut **x4**



**AXA087**  
M3x16mm Cap Head **x2**



**AXA119**  
M3x20mm Hex Socket Button Head **x2**

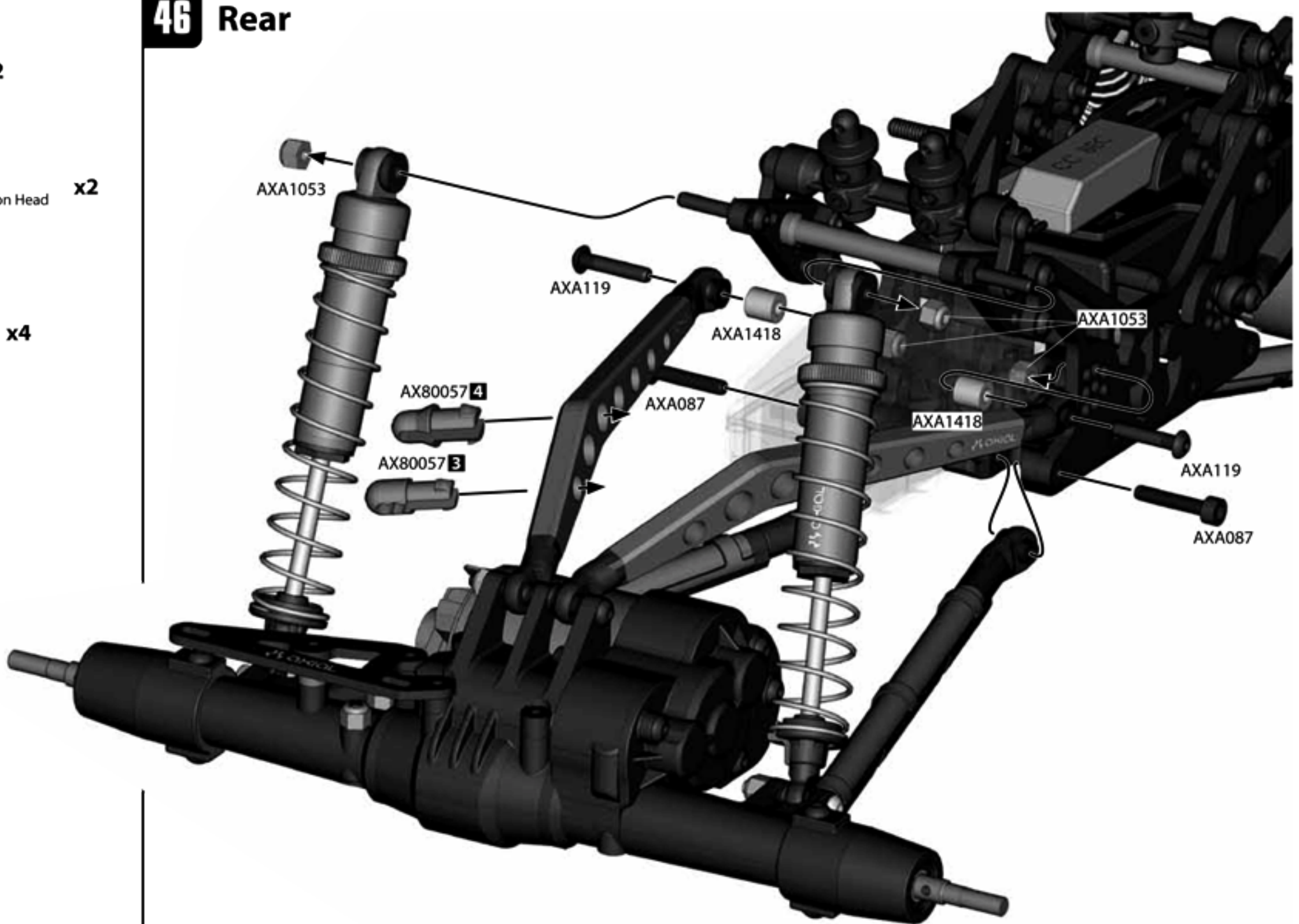


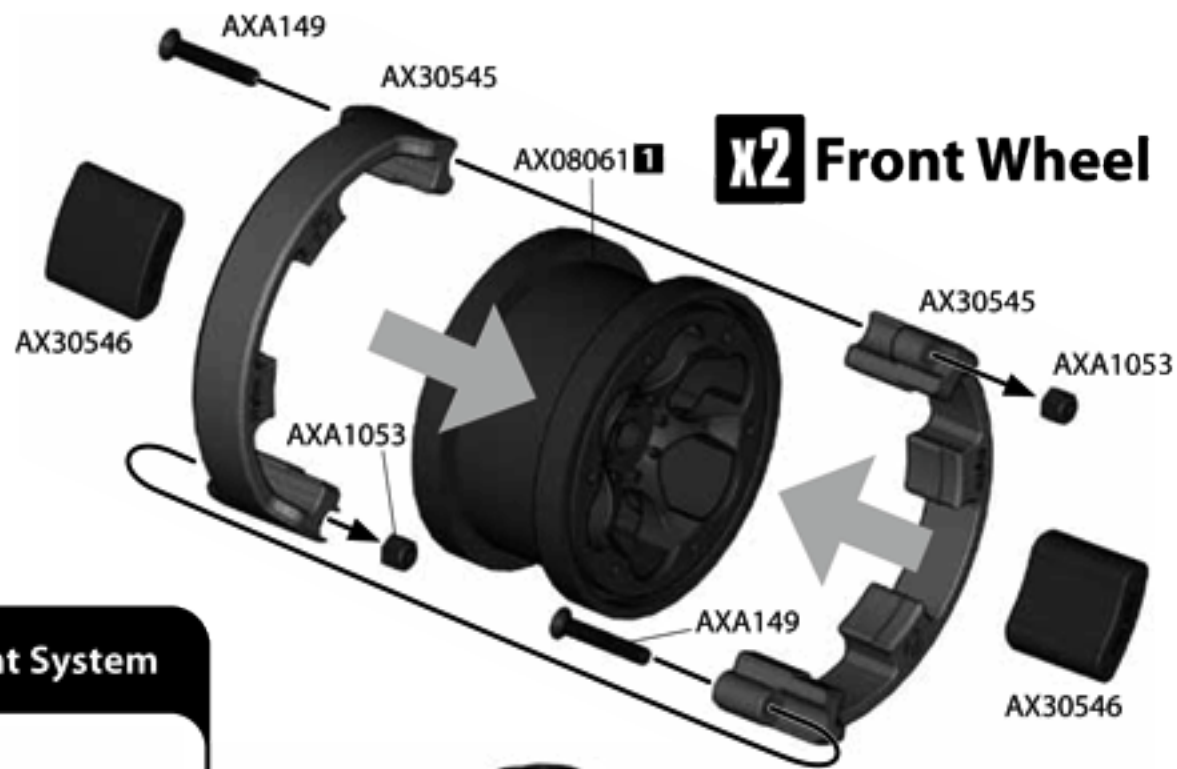
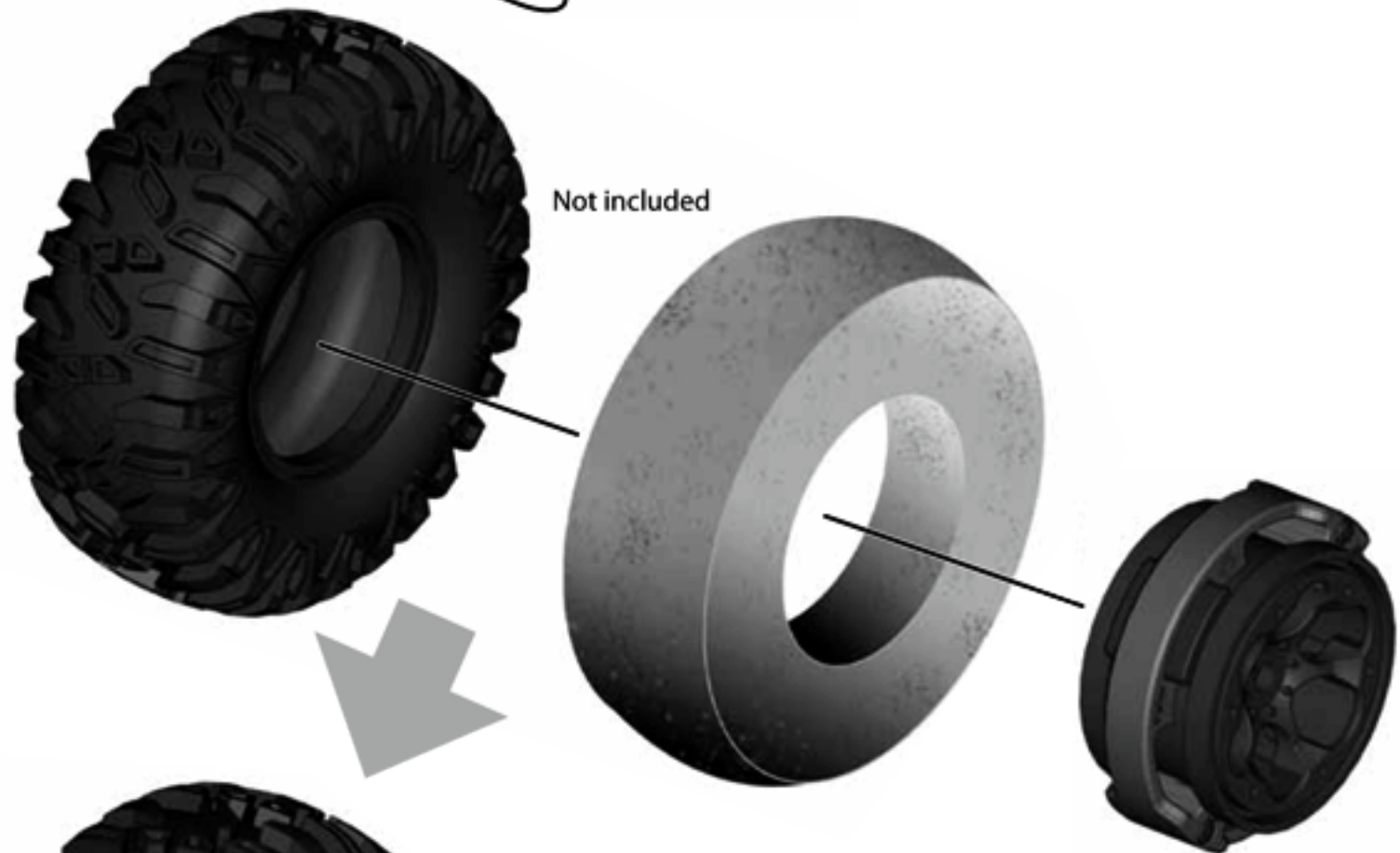
**AXA1053**  
M3 Nylon Locking Hex Nut **x4**



**AXA1418**  
6x6x3mm Spacer **x2**

**46 Rear**



**J****Open Bag J****47****AXA149**  
M3x20mm Hex Socket Flat Head **x4****AXA418**  
M2.6x25mm Hex Socket Tapping Flat Head **x24****AXA1053**  
M3 Nylon Locking Hex Nut **x4****Optional External Vanquish Products Weight System****VANQUISH**  
PRODUCTS

HIGH QUALITY AFTER-MARKET ACCESSORIES

**FREE****Team VP T-Shirt**With the purchase of \$30 or more (\$15 Value)  
visit the Vanquish website for more details➔ [WWW.VANQUISHPRODUCTS.COM](http://WWW.VANQUISHPRODUCTS.COM)

**AXA180**  
M3x3mm Set Screw **x4**

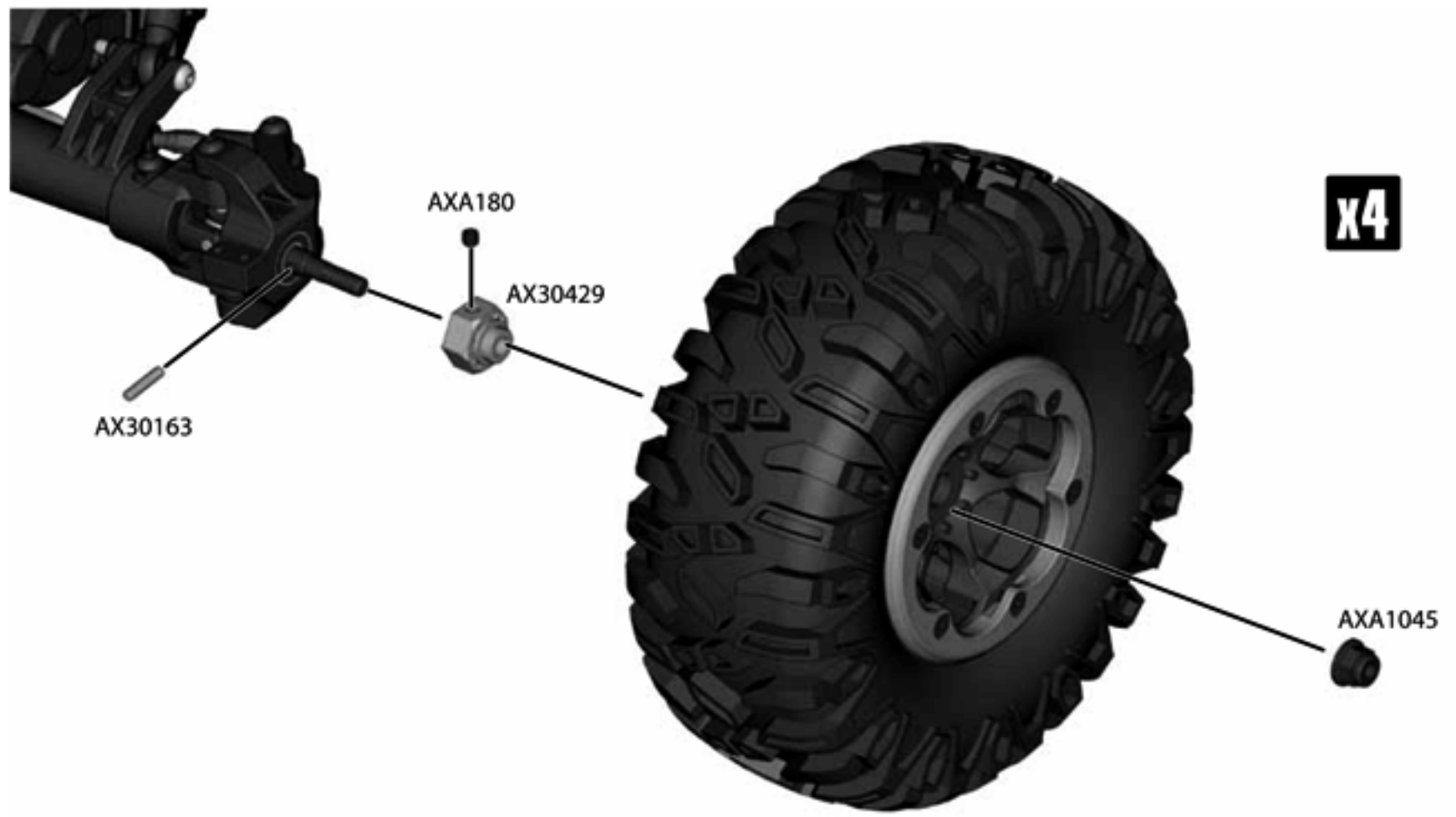
**AXA1045**  
M4 Nylon Lock Nut **x4**

**AX30163**  
Pin 2x10mm **x4**

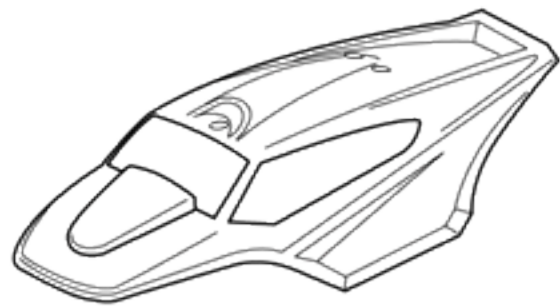


**AX30429**  
12mm Locking Hub **x4**

**48**

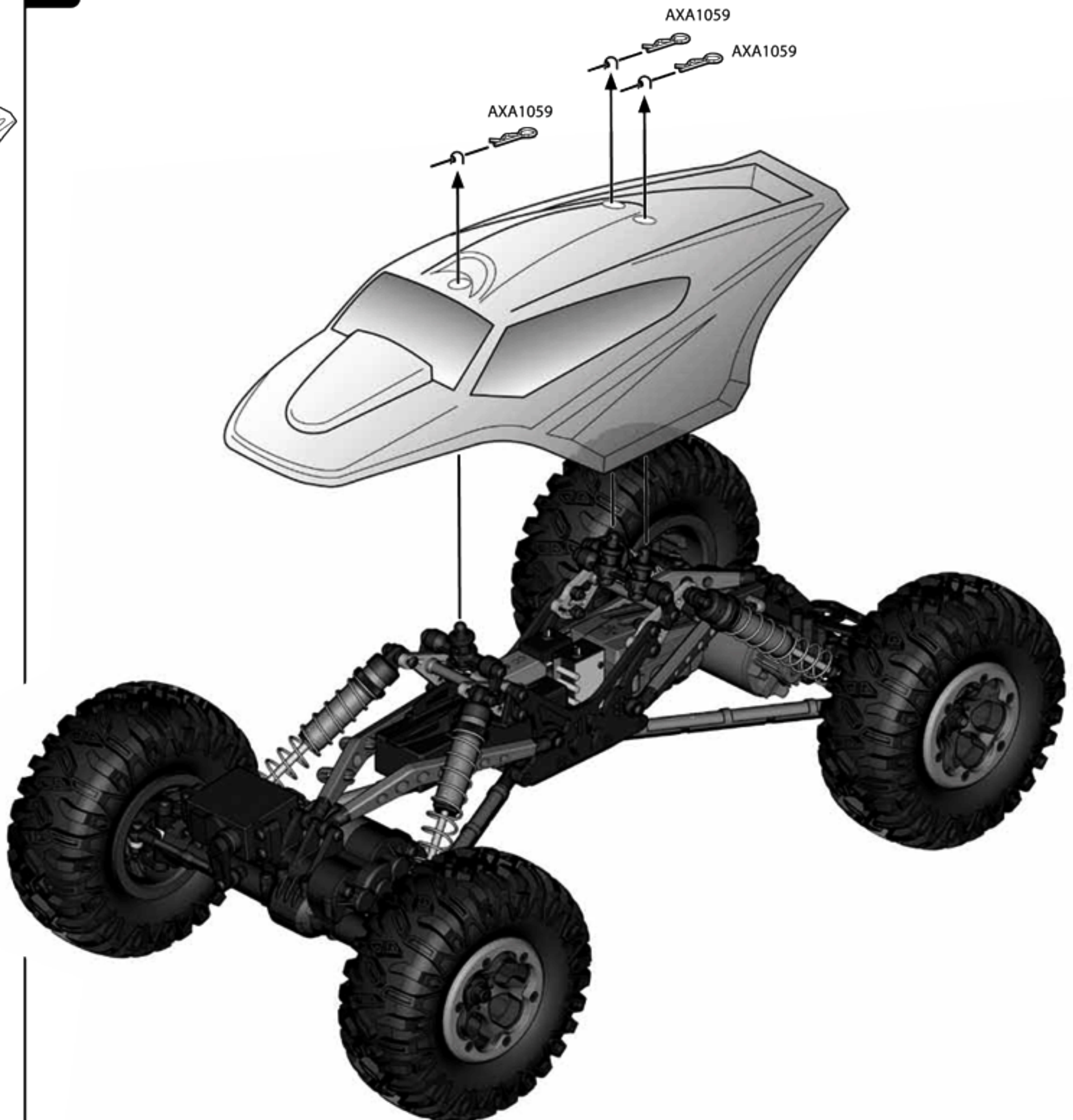


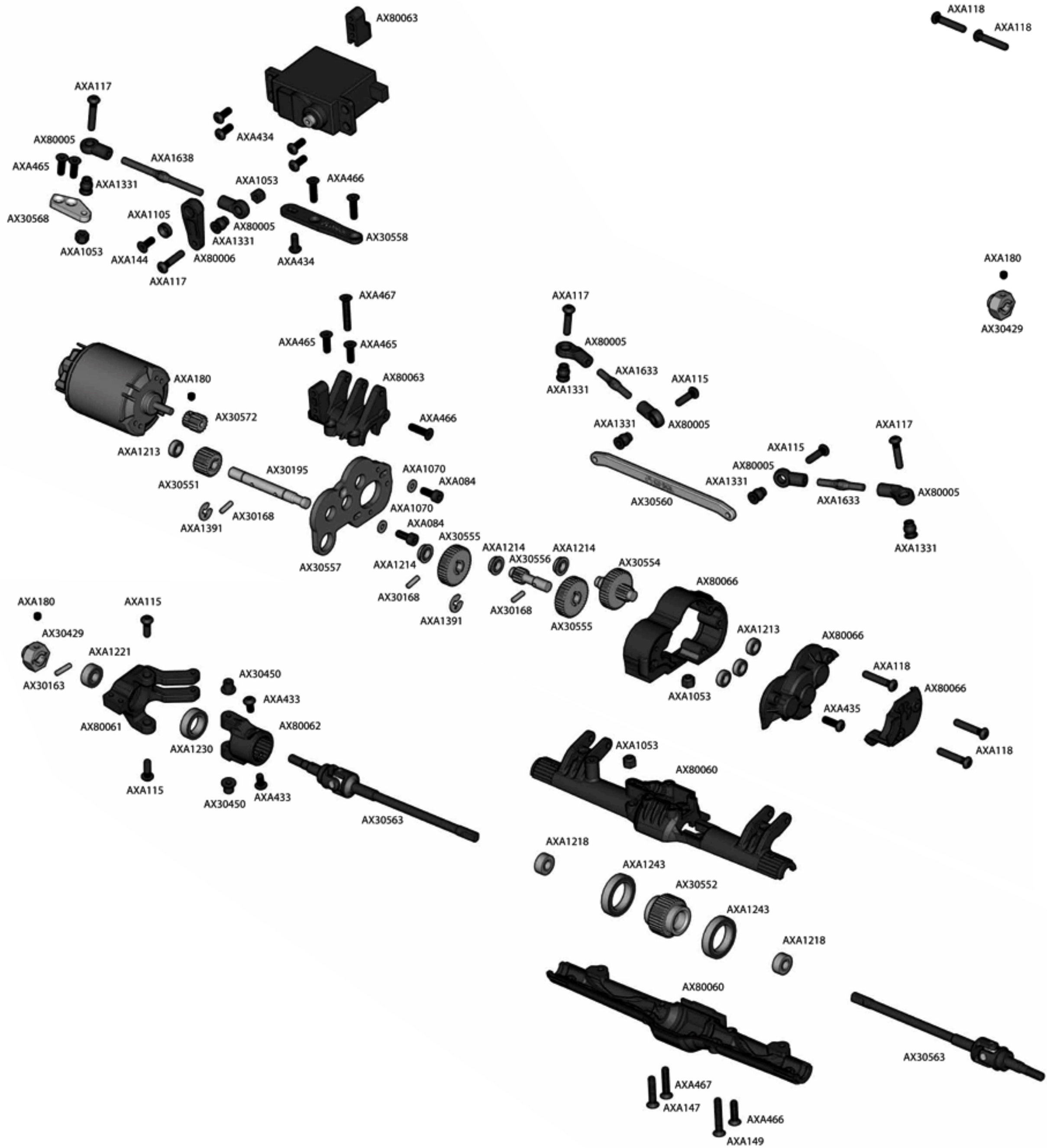
**AXA1059**  
6mm Body Clips **x3**

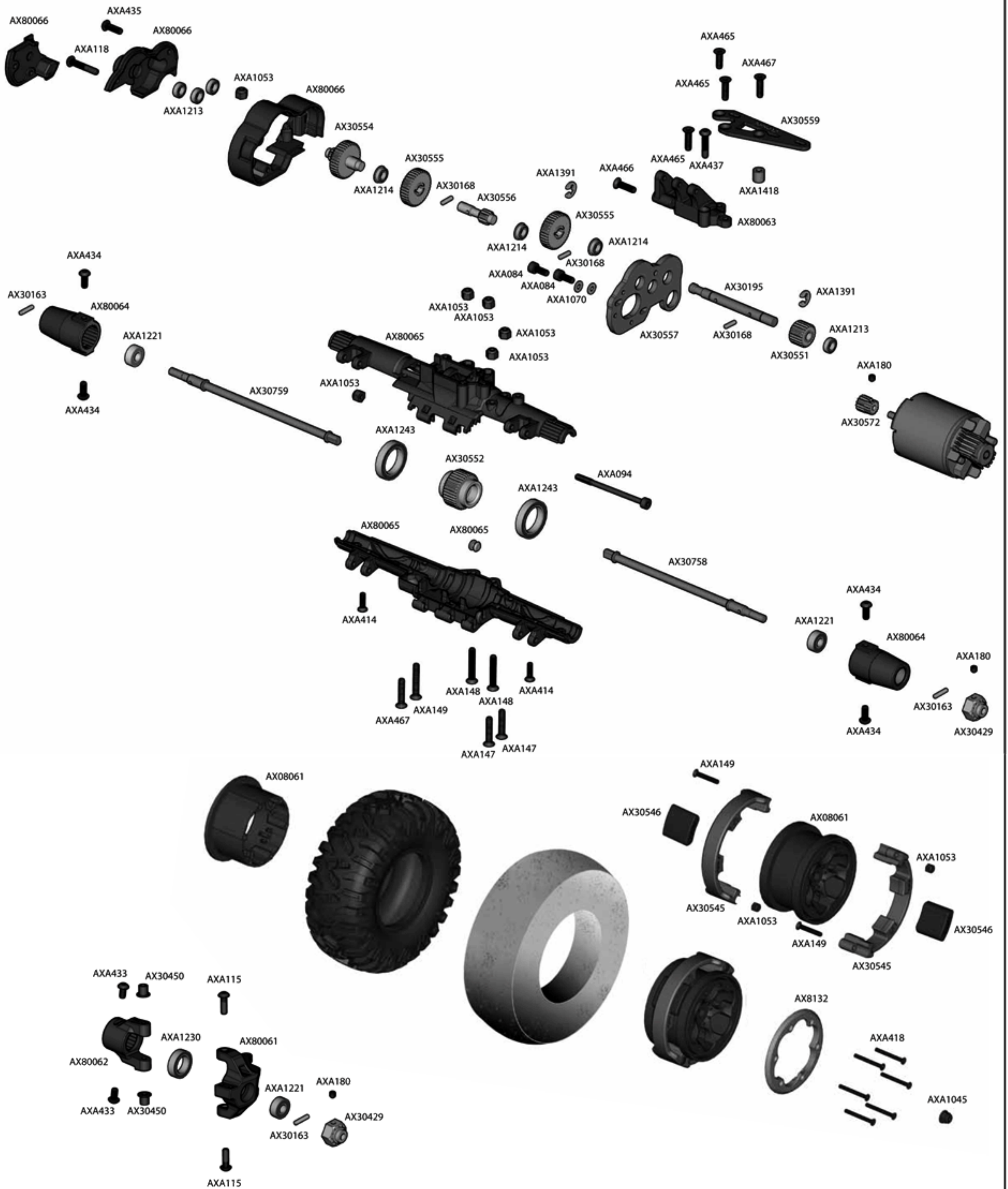


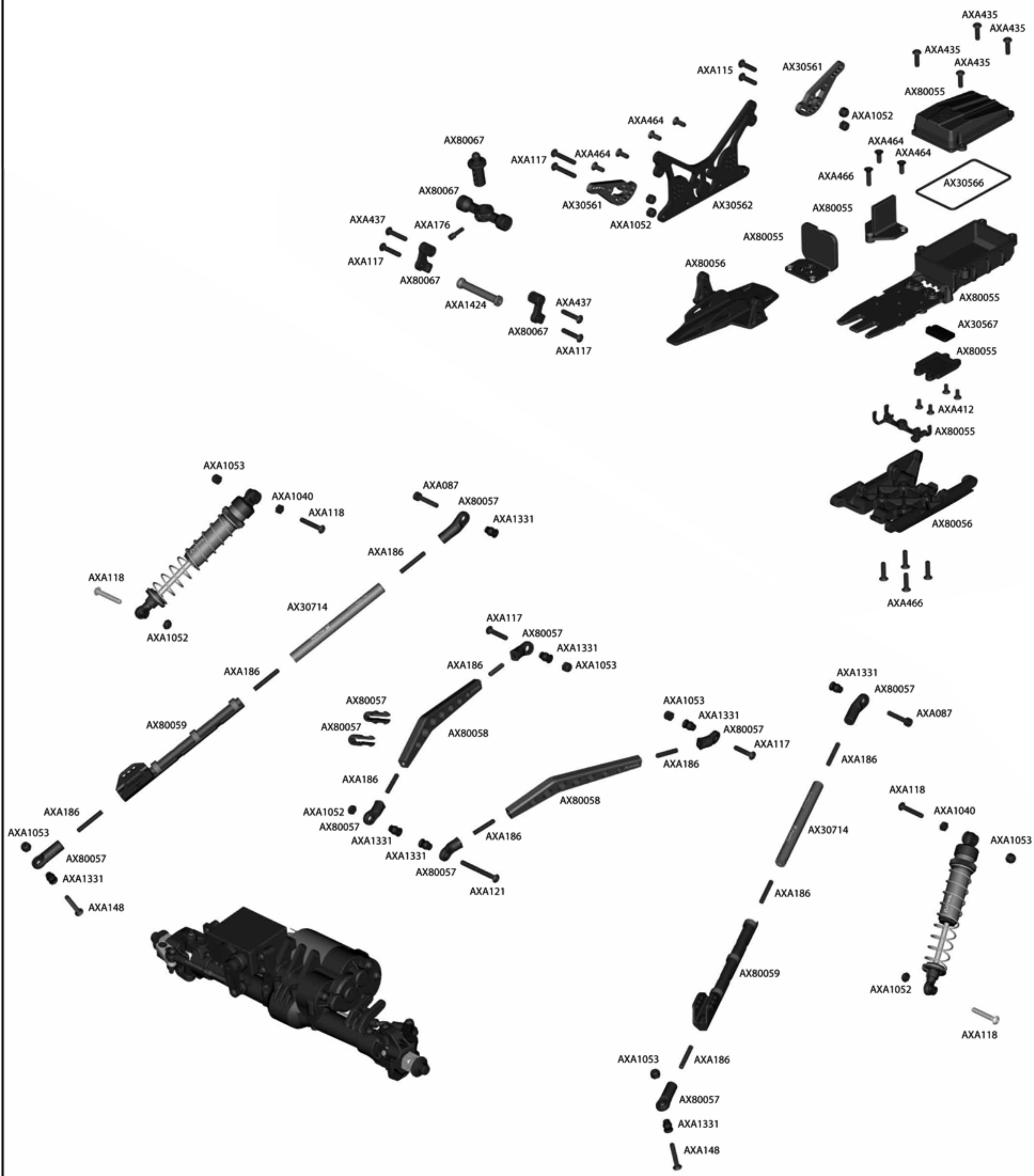
**AX04026**  
Hardline Crawler Body .040" **x1**

**49**

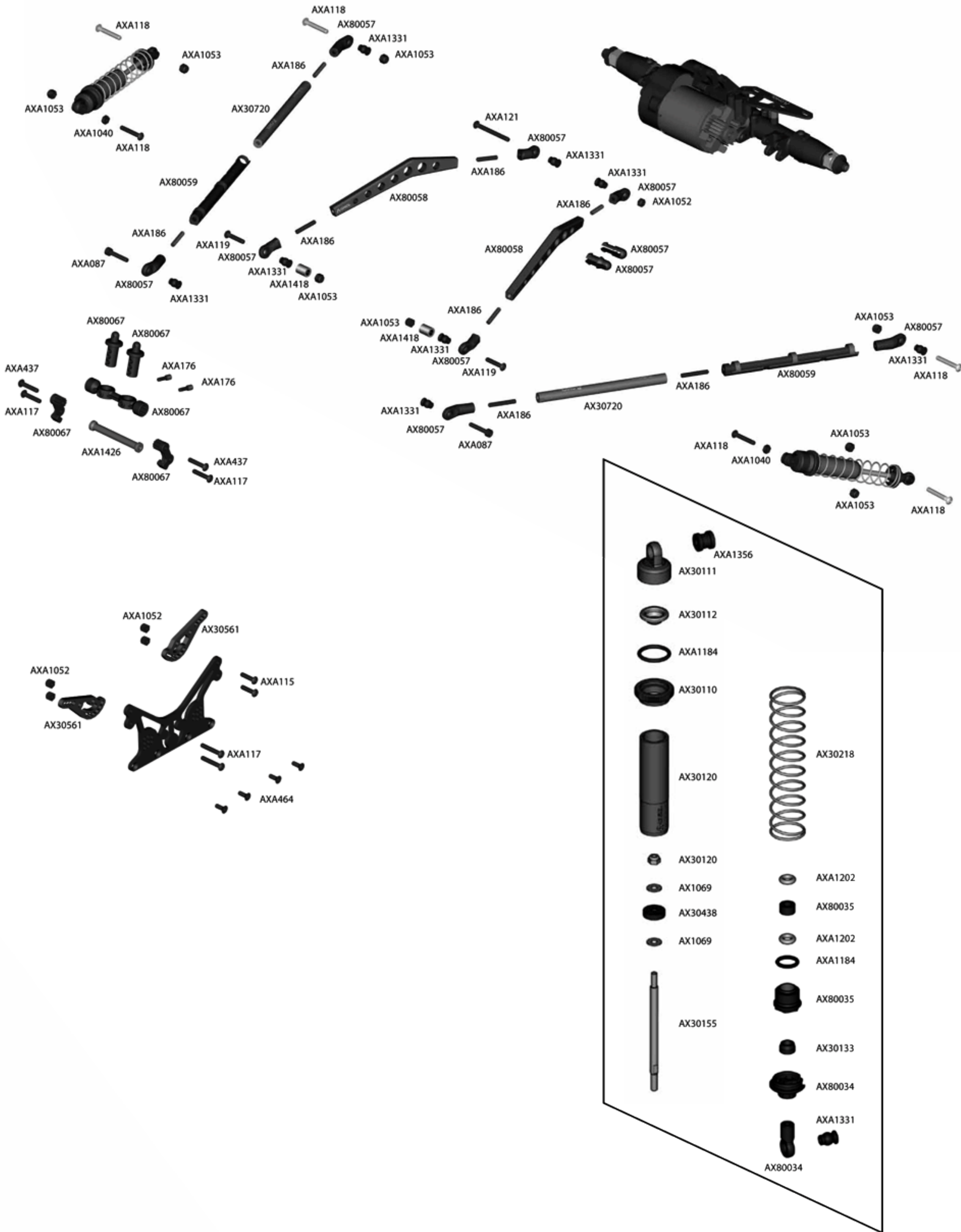












**Shock Absorbers / Dämpfer**

Proper building, maintenance, and tuning of your shocks will enhance the performance of your XR10. Be sure to inspect the shocks regularly for any sign of wear or damage and replace parts as needed. Tune your shocks to enhance the performance of your XR10 using the tips provided below.

Ordnungsgemäßer Zusammenbau, Wartung und Abstimmung der Dämpfer wird die Leistung Ihres XR10 erhöhen. Prüfen Sie unbedingt regelmäßig die Dämpfer auf Verschleiß und ersetzen Sie die nötigen Teile. Stimmen Sie Ihre Dämpfer ab wie untenstehend beschrieben, um die Leistung des Wagens zu erhöhen.

**Shock Oil / Dämpferöl**



Thinner / Dünner	Thicker / Dicker
Softer damping More traction Quicker weight transfer  Weichere Dämpfung Mehr Griff Schnellere gewichtsverlagerung	Stiffer damping Slower chassis weight transfer Reacts slower to input  Härtere Dämpfung Langsamere Gewichtsverlagerung Auto reagiert langsamer auf Steuerbefehle



**Shock Spring / Dämpferfeder / Ressort d'amortisseur**

<b>Softer / Weicher</b> More Chassis Roll Mehr rollbewegung des chassis	 <b>Soft</b>  <b>Firm</b>
<b>Less Chassis Roll</b> Weniger rollbewegung des chassis Moins de roulis du châssis	

**Gear Ratio / Getriebeübersetzung**

Use this equation to calculate the final drive ratio.  
**Final Drive Gear Ratio = 1 / ((pinion / Spur = 36) X 0.068)**

**Slower - More Torque**  
 Langsamer - Mehr Kraft

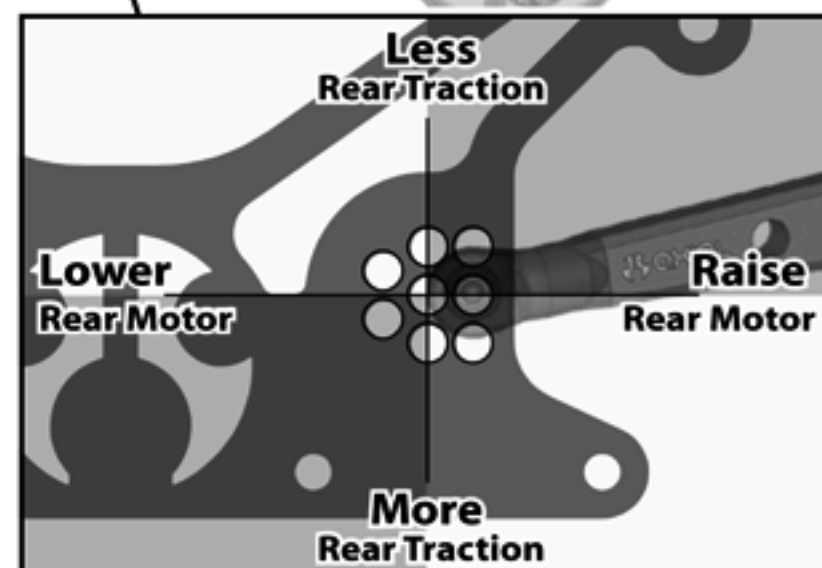
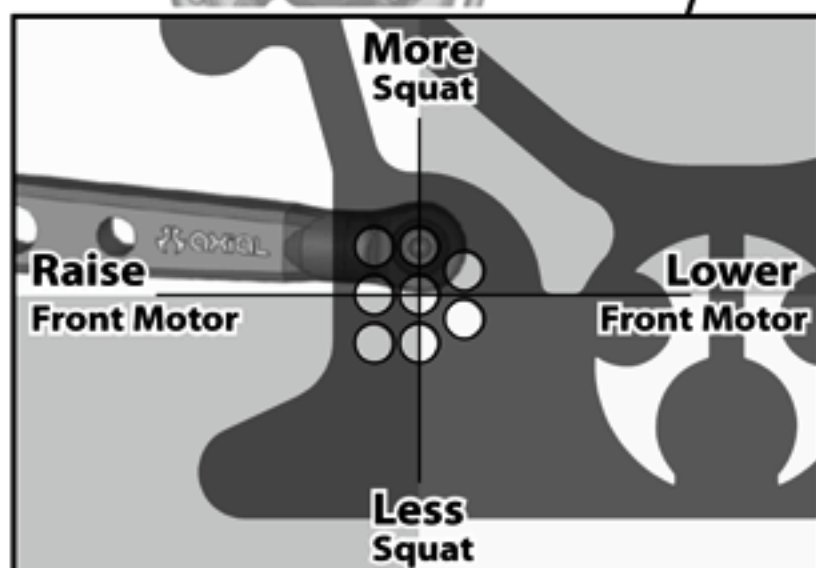
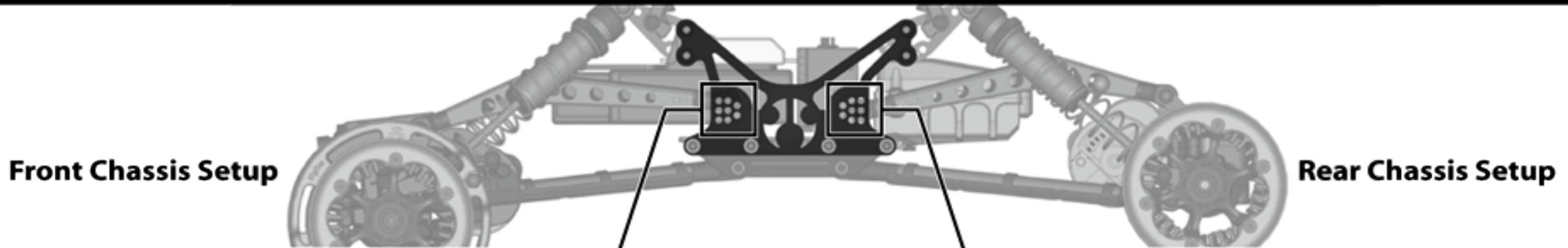
Mit dieser Gleichung können Sie die Gesamtübersetzung berechnen.  
**Gesamtübersetzung = 1 / ((pinion / Spur = 36) X 0.068)**

**Faster - Less Torque**  
 Schneller - Weniger Kraft



48 Pitch Spur	Pinion							
	12	13	14	15	16	17	18	19
36	44.12	40.72	37.82	35.29	33.09	31.14	29.41	27.86

**Chassis Adjustment / Einstellung Chassis**



# Parts List

Part #	Description	Part #	Description
AX04026	Hardline Crawler Body .040"	AXA115	M3x10mm Hex Socket Button Head (Black)
AX08061	2.2 VWS Beadlock Wheels (Black) (2pcs) (Fits XR10)	AXA116	M3x12mm Hex Socket Button Head (Black)
AX08132	2.2 VWS Machined Beadlock Rings (Orange) (2pcs)	AXA117	M3x15mm Hex Socket Button Head (Black)
AX30031	Antenna	AXA118	M3x18mm Hex Socket Button Head (Black)
AX30112	Shock Diaphragm 13x4.5mm (6pcs)	AXA1184	O-Ring 7.5x1.5mm (S8) (10pcs)
AX30113	Rubber Bump Stop 3.6x7x4 (6pcs)	AXA119	M3x20mm Hex Socket Button Head (Black)
AX30120	Aluminum Shock Body 12x47.5mm (2pcs)	AXA1202	O-Ring 3.5x2mm (10pcs)
AX30155	Shock Shaft 3x59.5 (2pcs)	AXA121	M3x30mm Button Head (Black Oxide)
AX30163	Pin 2x10mm (6pcs.)	AXA1213	Bearing 5x8x2.5mm
AX30168	Pin 2x8mm	AXA1214	Flanged BB 5x8x2.5mm
AX30195	5x49mm Gear Shaft	AXA1218	Bearing 5x10x4mm
AX30196	5x58mm Gear Shaft	AXA1221	Bearing 5x11x4mm
AX30218	Spring 14x70mm 2.07 lbs/in - Super Soft (Red) (2pcs)	AXA1230	Bearing 10x15x4mm
AX30429	12mm Locking Hub (Black)	AXA1243	Bearing 15x21x4mm
AX30438	10mm Machined Piston - 1.2 (4pcs)	AXA1331	Flanged Ball 3x5.8x7mm
AX30450	Flange Pipe 3x4.5x5.5	AXA1356	Silicone Shock Bushing 7.5x8mm
AX30545	2.2 Wheel weight - Main ring - 57g/2oz	AXA1391	4mm e clip
AX30546	2.2 Wheel weight - Ring 1 - 21g/0.75oz	AXA1418	6x6mm Spacer - Grey
AX30551	22T-48P Drive Gear	AXA1424	7x35mm Post - Grey (2pcs)
AX30552	36T-48P Final Gear	AXA1426	7x45mm Post - Grey (2pcs)
AX30554	First 36T-48P V2	AXA144	M3x8mm Hex Socket Flat Head (Black)
AX30555	Second 36T-48P V2	AXA0147	M3x16mm Hex Socket Flat Head (Black)
AX30556	Second 12T-48P V2	AXA149	M3x20mm Hex Socket Flat Head (Black)
AX30557	Gear Case Plate 3mm	AXA0151	M3x30mm Hex Socket Flat Head (Black)
AX30558	XR10 Steering Servo Plate	AXA1633	M3x25 Turnbuckle
AX30559	XR10 Rear Axle Plate	AXA1638	M3x50 Turnbuckle
AX30560	XR10 Steering Plate	AXA176	Screw Shaft M3x2.5x13mm
AX30561	XR10 Chassis Shock Mounts	AXA180	M3x3mm Set Screw (Black)
AX30562	XR10 Chassis plate	AXA186	M3x16mm Set Screw (Black Oxide)
AX30563	Universal Axle Shafts	AXA0187	M3x20mm Set Screw (Black Oxide)
AX30568	XR10 Steering Arm	AXA0412	M2.6x6mm Hex Socket Tapping Flat Head (Black)
AX30572	Pinion 48DP 14T	AXA0414	M2.6x10mm Hex Socket Tapping Flat Head (Black)
AX30714	Threaded Aluminum Pipe 7x73mm - Grey	AXA0418	M2.6x25mm Hex Socket Tapping Flat Head (Black)
AX30720	Threaded aluminum Pipe 7x94mm - Grey	AXA433	M3x6mm Hex Socket Tapping Button Head (Black)
AX30758	XR10 Rear Straight Axle Shaft Set	AXA434	M3x8mm Hex Socket Tapping Button Head (Black)
AX80005	Linkage Set	AXA435	M3x10mm Hex Socket Tapping Button Head (Black)
AX80006	Servo Set	AXA0437	M3x15mm Hex Socket Tapping Button Head (Black)
AX80033	10mm Shock Set 1	AXA464	M3x8mm Hex Socket Tapping Flat Head (Black)
AX80034	10mm Shock Set 2	AXA465	M3x10mm Hex Socket Tapping Flat Head (Black)
AX80035	10mm Shock Caps Set	AXA466	M3x12mm Hex Socket Tapping Flat Head (Black)
AX80055	XR10 Electronics Tray Set	AXA0467	M3x16mm Hex Socket Tapping Flat Head (Black)
AX80056	XR10 Chassis Skid Plate and Battery Mount Set		
AX80057	XR10 Linkage set		
AX80058	Hi-Clearance Links Set		
AX80059	Lower Link Slider Set		
AX80060	XR10 Front Axle Case		
AX80061	Steering Knuckles Plastic Set		
AX80062	C Hub Carrier Set		
AX80063	XR10 Axle Case Cap Set		
AX80064	XR10 Straight Axle Adapter Set		
AX80065	XR10 Rear Axle Case		
AX80066	XR10 Gearbox		
AX80067	Adjustable Body Mounts Set		
AXA0084	M3x8mm Cap Head (Black)		
AXA087	M3x16mm Cap Head (Black)		
AXA0094	M3x45mm Cap Head (Black)		
AXA1040	M3 Nylon Hex Nut (Black)		
AXA1041	Nylon Locknut 2.5 (10pcs)		
AXA1045	M4 Nylon Lock Nut (Black)		
AXA1052	M3 Thin Nylon Locking Hex Nut (Black)		
AXA1053	M3 Nylon Locking Hex Nut (Black)		
AXA1059	6mm Body Clips		
AXA1069	Washer 2.7x6.7x0.5 (10pcs)		
AXA1070	WASHER 3x6x0.5		
AXA1090	Washer 4.8x14		
AXA1105	Cone Washer 3x7x2mm		

## Option Parts

AX08062	2.2 VWS Beadlocks Wheels (Satin Chrome) (2pcs) (Fits XR10)
AX08069	2.2 VWS Beadlock Rings (Black) (2pcs)
AX08133	2.2 VWS Machined Beadlock Rings (Grey) (2pcs)
AX30110	13mm Aluminum Preload Collar (2pcs)
AX30111	Aluminum Shock Cap (2pcs)
AX30218	Spring 14x70mm 2.07 lbs/in - Super Soft (Red) (2pcs)
AX30219	Spring 14x70mm 2.47 lbs/in - Soft (White) (2pcs)
AX30220	Spring 14x70mm 2.85 lbs/in - Medium (Green) (2pcs)
AX30221	Spring 14x70mm 3.27 lbs/in - Firm (Yellow) (2pcs)
AX30222	Spring 14x70mm 3.55 lbs/in- Super Firm (Blue) (2pcs)
AX30750	XR10 Carbon Fiber Chassis Set (2pcs)
AX30752	XR10 Carbon Fiber Shock Mounts (2pcs)
AX30753	XR10 Carbon Fiber F/R Servo Mounts and Steering Arm Set
AX30757	2.2 VWS Carbon Fiber Wheel Weight Lock (2pcs)
AX30760	XR10 Aluminum Steering Knuckle (Black) (2pcs)
AX30762	XR10 Aluminum C-Hub Carrier (Black) (2pcs)
AX30763	XR10 Straight Axle Adapters (Black) (2pcs)
AX30767	Machined 22T-48P Final Drive Gear
AX30768	Machined Lightweight 36T-48P Final Gear
AX30769	Machined 12T-48P Gear 1
AX30770	Machined Lightweight 36T-48P Idler Gear
AX30771	Machined 12T-48P Gear 2
AX30772	Carbon Fiber XR10 Electronics Plate
AX30774	Carbon Fiber XR10 Battery Plate



**AX30110**  
13mm Aluminum Preload Collar (2pcs)



**AX30111**  
Aluminum Shock Cap (2pcs)



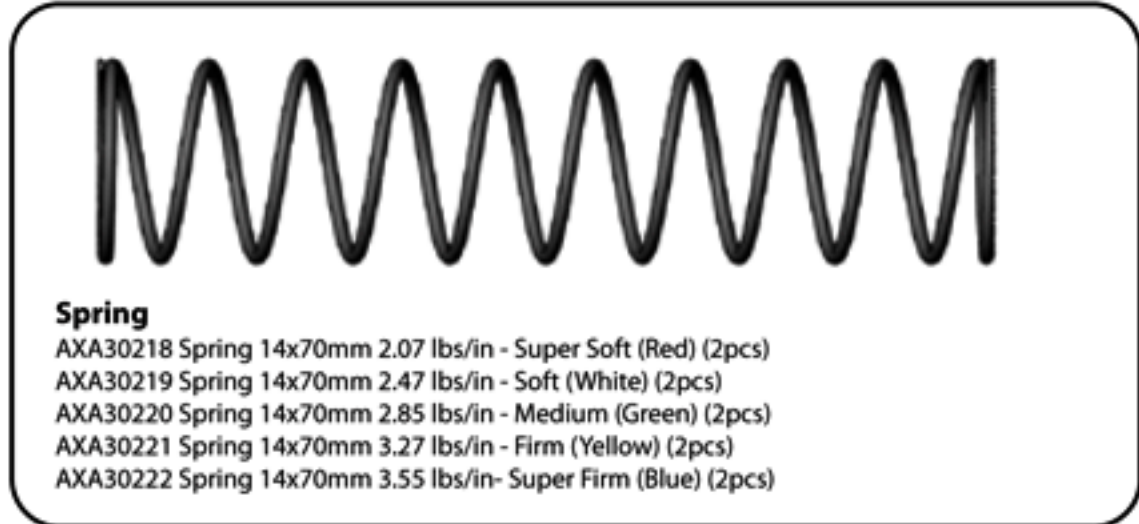
**AX30571**  
Steel Pinion 48DP 13T

**AX30569**  
Steel Pinion 48DP 14T

**AX30573**  
Steel Pinion 48DP 15T



**AX30767**  
Machined 22T-48P Drive Gear



**Spring**  
AXA30218 Spring 14x70mm 2.07 lbs/in - Super Soft (Red) (2pcs)  
AXA30219 Spring 14x70mm 2.47 lbs/in - Soft (White) (2pcs)  
AXA30220 Spring 14x70mm 2.85 lbs/in - Medium (Green) (2pcs)  
AXA30221 Spring 14x70mm 3.27 lbs/in - Firm (Yellow) (2pcs)  
AXA30222 Spring 14x70mm 3.55 lbs/in- Super Firm (Blue) (2pcs)



**AX30768**  
Machined Lightweight 36T-48P Final Gear



**AX30769**  
Machined 12T-48P Gear 1



**AX30760**  
XR10 Aluminum Steering Knuckle (Black) (2pcs)



**AX30762**  
XR10 Aluminum C-Hub Carrier (Black) (2pcs)



**AX30770**  
Machined Lightweight 36T-48P Idler Gear



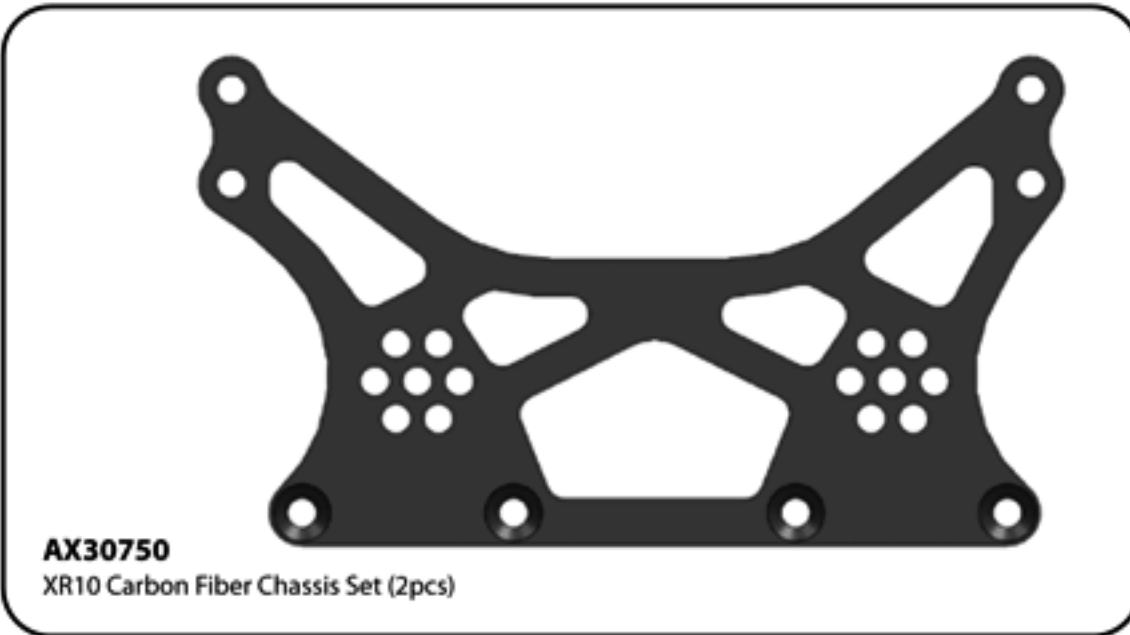
**AX30771**  
Machined 12T-48P Gear 2



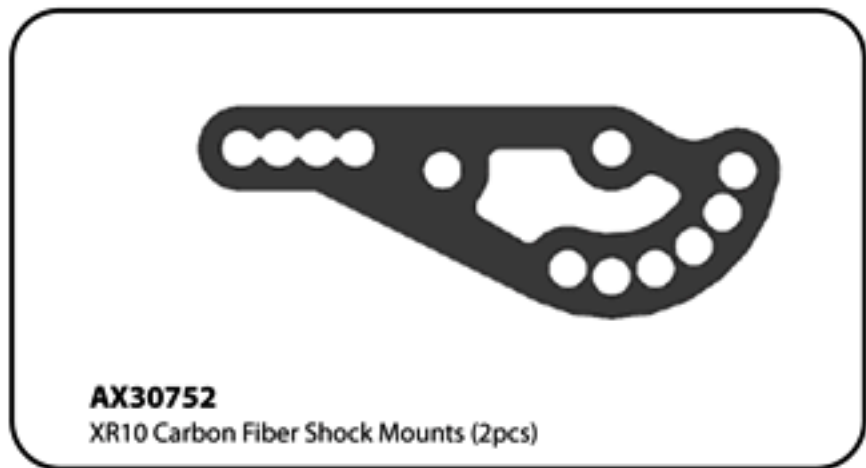
**AX30763**  
XR10 Straight Axle Adapters (Black) (2pcs)



**AX30757**  
2.2 VWS Carbon Fiber Wheel Weight Lock (2pcs)



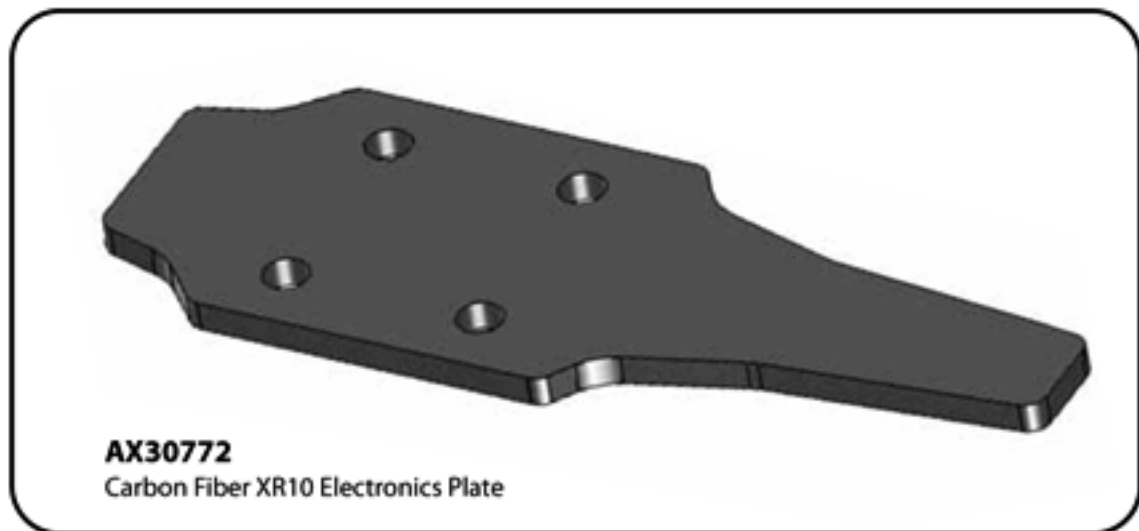
**AX30750**  
XR10 Carbon Fiber Chassis Set (2pcs)



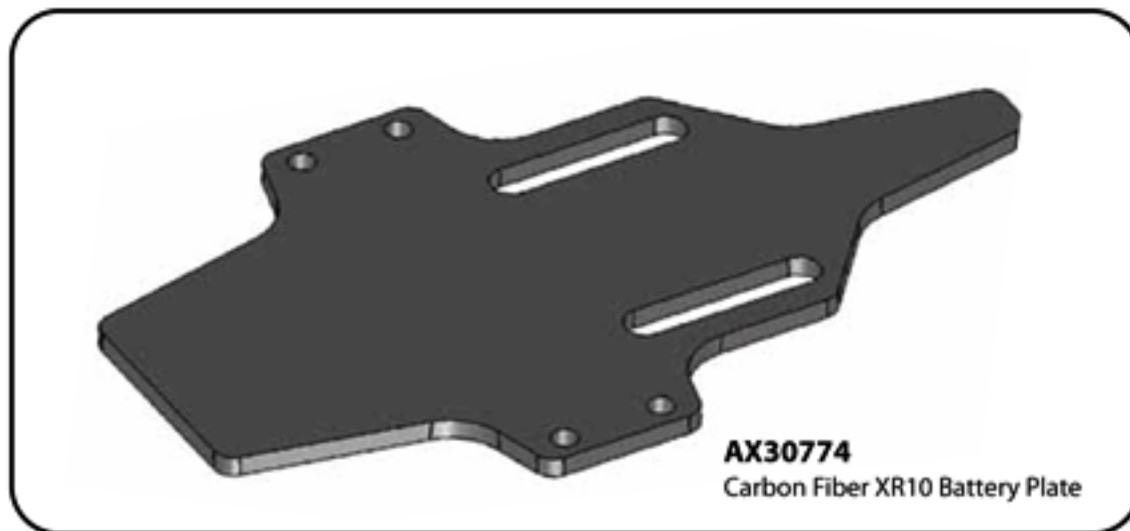
**AX30752**  
XR10 Carbon Fiber Shock Mounts (2pcs)



**AX30753**  
XR10 Carbon Fiber F/R Servo Mounts and Steering Arm Set



**AX30772**  
Carbon Fiber XR10 Electronics Plate



**AX30774**  
Carbon Fiber XR10 Battery Plate

# Warranty Info

## Axial Limited Warranty (USA)

Your Axial product is warranted to be free of defects in materials and workmanship when new. This warranty does not cover damages due to normal wear and tear, user's failure to perform routine maintenance, user error of assembly or installation, user modifications, addition of aftermarket parts or option parts. This warranty lasts as long as the original purchaser owns the product, and is not transferable (Verified by dated itemized sales receipt). In the event of a defect under this warranty, Axial will, at our discretion, repair or replace the product, provided our inspection indicates that an original defect exists. Axial reserves the right to replace any product which is no longer available with a product of comparable value and function. If Axial determines the repair is not covered under warranty guidelines, there could be a charge applied for the repair and return shipping charges.

## International Customers Warranty

Please return product to the dealer where the purchase was made. If your Axial product purchase was made through an on-line retailer, any warranty issues must be taken care of by that retailer. Axial assumes no responsibility for Axial products sold internationally by on-line retailers.

## Service

If you need service on your Axial product here are some simple steps to follow when sending in product in for Warranty/ Repair.

### STEP 1:

Contact Axial Customer Service at 949-600-8642 Ext: 206 to receive a Return Merchandise Number (RMA#). **Note:** Axial requires the RMA# to be placed on the return merchandise box when shipped to Axial.

### STEP 2:

Please write a short note explaining the issue you experienced with the product.

### STEP 3:

Include your return address with a daytime phone number and /or e-mail address.

### STEP 4:

Please include a Money Order in the amount \$10.00 made payable to Axial for return shipping costs although If product is found to be under Axial Warranty coverage, the \$10.00 will be refunded to you.

**PLEASE NOTE:** Tuning issues are not covered under the Axial Warranty and shipping fee's do apply.

Please allow 5-10 working days for product to be returned. Axial ships using United Postal Service Priority mail or UPS Ground. Any expedited shipping must be arranged and prepaid by customer. Axial will not be responsible for lost or damaged packages.

# Notes

**THE  
HANDLE  
EVOLVED**

**DESIGNED  
TO FIT YOUR  
HANDS**

TOOLS FOR  
THE PEOPLE

AVAILABLE IN EITHER  
STANDARD OR METRIC

**OTHER TOOL  
HANDLES  
SEEM TO HAVE BEEN  
DESIGNED FOR KIDS**

## GENUINE AXIAL TOOLS AND ACCESSORIES

Axial sockets and drivers feature ergonomically designed handles to contour to your hands, and thumb indents allow you to apply the precise amount of torque. These features also reduce fatigue where as other designs offer non-conforming handles that don't fit comfortably in your hand, so liberate yourself from the awkward tools designed for kids and evolve to Axial tools.

**TEMP GUN**  
AX20000

**TOOL TOTE**  
AXB026

**FLYWHEEL REMOVER**  
AX20006

**17/23MM WRENCH**  
AX20004

**DRIVER/SOCKET**  
• METRIC  
• STANDARD

**FLYWHEEL  
WRENCH**  
AX20001



[www.axialracing.com](http://www.axialracing.com)

**axial**



# axial



T-SHIRTS, HATS, BEANIES, AND MORE....

**EVERYBODY NEEDS CLOTHES**  
MODEL: "EXPENSIVE COOKIE" (ALTERED "CREST" SHIRT NOT AVAILABLE)  
SIZES FROM SML TO XXL

Visit [www.axialracing.com](http://www.axialracing.com)  
for sizes and more info



[www.axialracing.com](http://www.axialracing.com)

8 Goodyear  
Suite 125  
Irvine, CA 92618

AX90017-1002