

# mini **DESERT** BUGGY

1/18-SCALE READY-TO-RUN MINI DESERT BUGGY

## Operation Manual

Thank you for choosing the Mini Desert Buggy from Losi. This guide contains the basic instructions for operating your new Mini Desert Buggy. While the Mini Desert Buggy is great for first time RC drivers, it does require some mechanical experience and/or parental supervision for drivers under 14. It is critical that you read all of the instructions in order to operate your model correctly and avoid unnecessary damage. Please take a moment to look over all the printed materials before operating your new Mini Desert Buggy.



### CONNECT - REGISTER - WIN

Register your product online so we can notify you about the latest option parts, product updates, tech tips, service bulletins and more. Visit [WWW.LOSI.COM](http://WWW.LOSI.COM) and follow the Product Registration link to stay connected.

For registering your Losi Product you will be automatically entered for a chance to win the Losi Pick-Your-Prize Sweepstakes. The winner will be allowed to select a total prize package of \$1,000 (retail value) based on his/her preference.



Not Responsible for errors. All prices subject to change without notice. Losi, a Division of Horizon Hobby, Inc.



## **Table of Contents**

Introduction.....	2
Getting Started.....	3-4
Safety Precautions.....	5
Suggested Tools.....	5
Radio System Overview.....	5
Rebinding the Transmitter.....	6
Resetting the ESC.....	7
Chassis Tuning.....	7-8
Service/Repair and Troubleshooting.....	9-11
Rebuilding/Refilling the Shocks.....	12
Warranty Information.....	13
Warranty Inspection and Repairs.....	14
Declarations of Conformity.....	15
Notes Sheet.....	16
Parts/Option Parts Lists.....	18
Exploded Views.....	19

## **Introduction**

Thank you for purchasing the Losi® 1/18 Mini Desert Buggy. We are confident you will be satisfied with the performance of this durable and resilient vehicle.

Understanding that you are anxiously wanting to get your 1/18 Mini Desert Buggy ready for the open road, it will be to your long term benefit to make the effort and read through the entire manual. In the following pages you will find all the information you will need to set up as well as operate your new 1/18 Mini Desert Buggy to its full potential.

**If you are an experienced RC hobbyist, or new to RC vehicles, it will benefit you to read all enclosed information.**

From everyone at Losi we would like to thank you again for choosing the 1/18 Mini Desert Buggy. Our goal is helping people have fun and enjoy using our products.

### **Register your Losi Product Online**

Register your 1/18 Mini Desert Buggy now and be the first to find out about the latest option parts, product updates and more. Log on to [www.LOSI.com](http://www.LOSI.com) and follow the product registration link to stay connected.

### **Losi/Horizon Support**

If you have any questions concerning setup or operation of your 1/18 Mini Desert Buggy please call Horizon Customer Support at 1-877-504-0233. Hours: Monday thru Friday from 8:00 am CST to 5:00 pm CST

In the United Kingdom please call Horizon Hobby UK Customer Support at +44 (0) 1279 641 097.

### **Getting Ready**

Thoroughly read all the enclosed material, precautions and follow instructions to avoid damaging your new RC vehicle. If you choose to not follow these steps or instructions, it will be considered negligence.

If after review of this manual and prior to running your 1/18 Mini Desert Buggy, you determine this RC vehicle is not what you want—DO NOT proceed and DO NOT run the 1/18 Mini Desert Buggy. If the 1/18 Mini Desert Buggy has been run, your local hobby shop will not be able to process a return or accept it for exchange.

# GETTING STARTED

## STEP 1



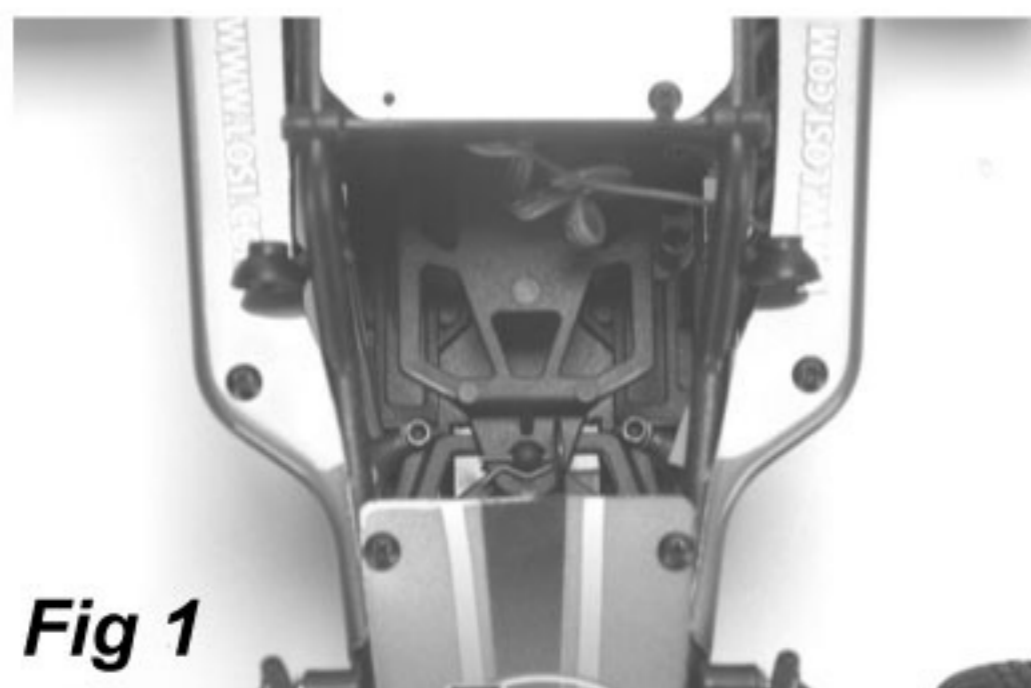
Plug the AC charger into the proper wall receptacle (110V). Plug the battery pack into the charger and let it charge for 3 hours for the first time. After running, or when the Mini Desert Buggy slows noticeably, recharge the battery pack for 5 to 6 hours for a full charge.

## STEP 2



Remove the transmitter battery cover by sliding the cover from left to right. Install four (4) AA batteries into the battery holder. Pay close attention to the correct direction of the positive (+) and negative (-) ends as marked in the tray. Once all 4 batteries have been installed, reinstall the battery cover by sliding it on from right to left.

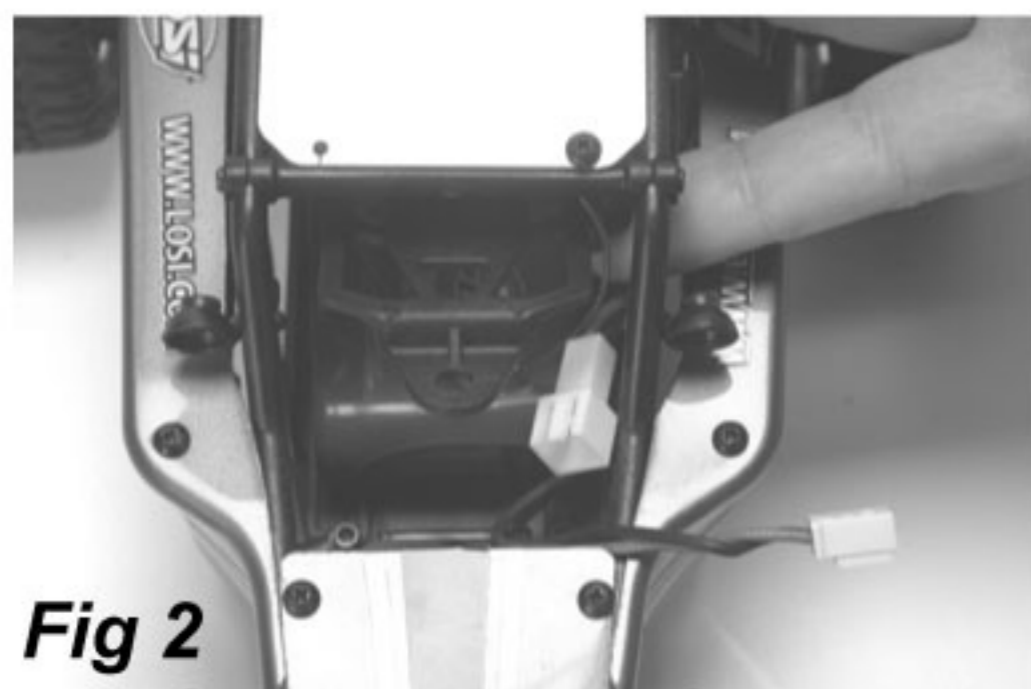
## STEP 3



**Fig 1**

### Step 3.1

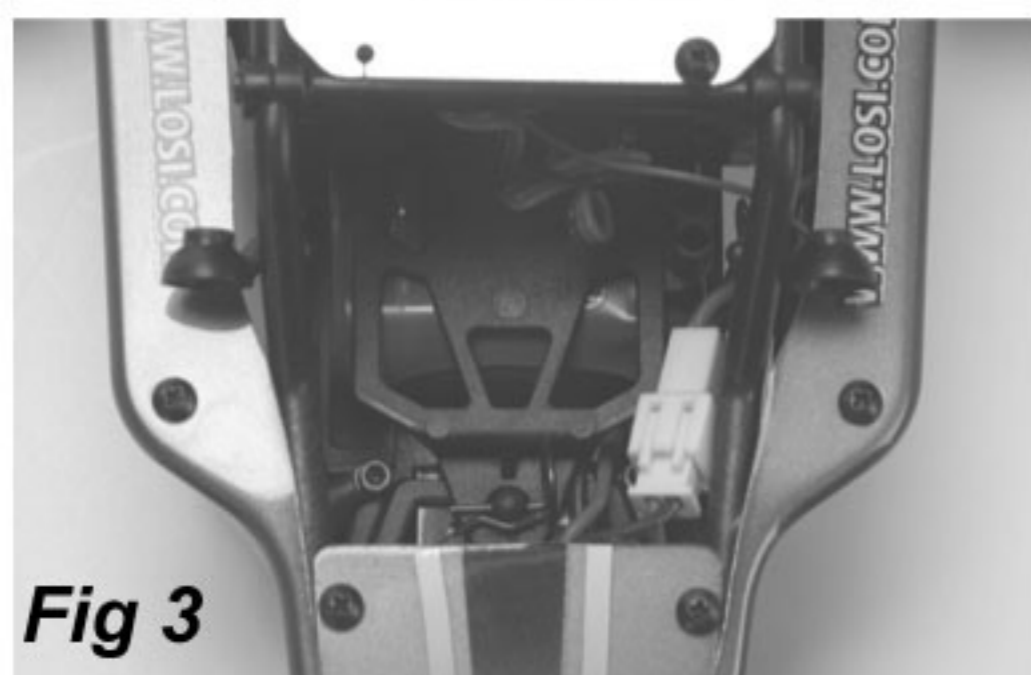
Once the battery is charged, remove the body clip from the front battery hold down and remove the battery strap (fig. 1).



**Fig 2**

### Step 3.2

Install the charged battery pack into the chassis as shown (fig. 2). Ensure that the battery is laying flat on the chassis.



**Fig 3**

### Step 3.3

Reinstall the battery strap and body clip. Plug the battery pack into the ESC (fig. 3).

## STEP 4



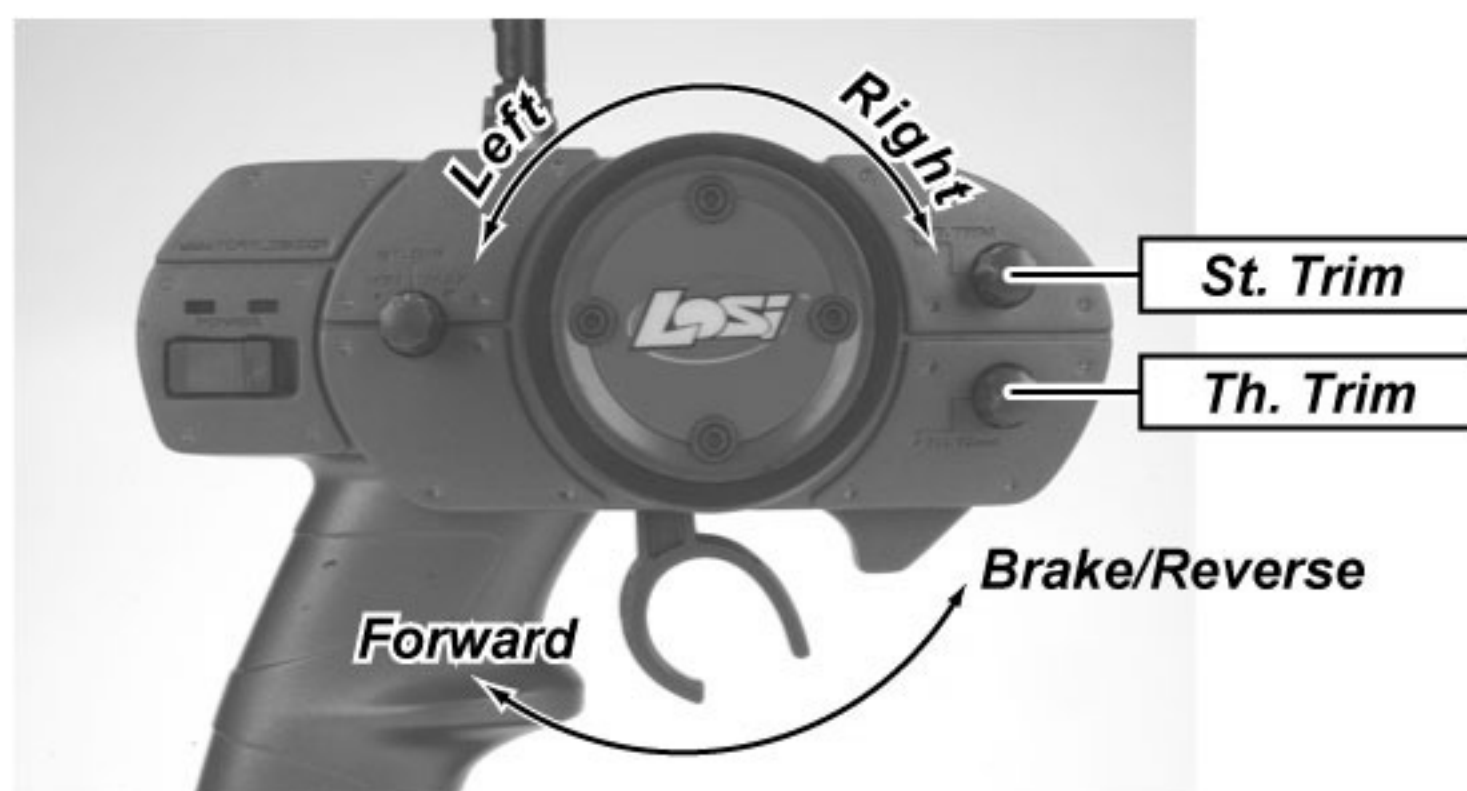
Always turn on the transmitter first by sliding the switch on the left side of the wheel from left to right. The small red and green lights above the switch should both light up. If not, you need to check for low or incorrectly installed batteries.

## STEP 5



Once the transmitter has been turned on, turn on the Mini Desert Buggy by sliding the switch on the speed controller to the "On" position.

## STEP 6



If the rear wheels turn during power-on, adjust the "TH. Trim" knob located to the lower right of the steering wheel until they stop.

To make the vehicle move forward, pull the trigger back. To reverse the vehicle, wait for the model to stop and then push the trigger forward.

When going forward the vehicle should move in a straight line. If not, adjust the "ST. TRIM" so that it tracks in a straight line without having to turn the steering wheel.

After you are finished, turn the Mini Desert Buggy off FIRST by sliding the speed controller switch to the "OFF" position. After the model has been turned off, turn off the transmitter.

If you wish to clean your Mini Desert Buggy, use compressed air and/or a soft paintbrush to remove dust and dirt. NEVER use chemicals or anything wet as it can cause damage to both electronics and plastic parts.

### **ALWAYS**

- Turn on the transmitter before the vehicle
- Use caution when running your vehicle near people
- Turn both the Mini Desert Buggy and transmitter "Off" when done
- Check the battery condition of the transmitter before running

### **Never**

- Operate the Mini Desert Buggy with low battery power
- Run the Mini Desert Buggy through water or wet grass
- Use chemicals to clean the chassis
- Run the Mini Desert Buggy without a gear cover

## Safety Precautions

This is a sophisticated radio controlled model that must be operated with caution and common sense. Failure to operate your Mini Desert Buggy in a safe and responsible manner could result in damage to the model and property. The Mini Desert Buggy is not intended for use by children without direct adult supervision. Losi and Horizon Hobby shall not be liable for any loss or damages, whether direct, indirect, special, incidental, or consequential, arising from the use, misuse, or abuse of this product or any product required to operate it.

- Always keep some distance in all directions around your model as a safety margin to avoid collisions.
- Always operate your model in an open area away from cars, traffic and people.
- Avoid running your model in the street where damage can occur.
- Never run your Mini Desert Buggy with low transmitter batteries.
- Carefully follow the directions and warnings for this and any optional support equipment.
- Keep all chemicals, small parts and anything electrical out of the reach of children.

## Tools and Items You Will Find Handy

- Soft bristle brush for cleaning
- 5.5mm nut driver for the wheel nuts
- #0 or #1 Phillips screwdriver
- LOSA99100 .050-inch Allen Wrench

Note: Use only Losi tools or other high-quality tools. Use of inexpensive tools can cause damage to the small screws and parts used on this type of model.



## The Radio System

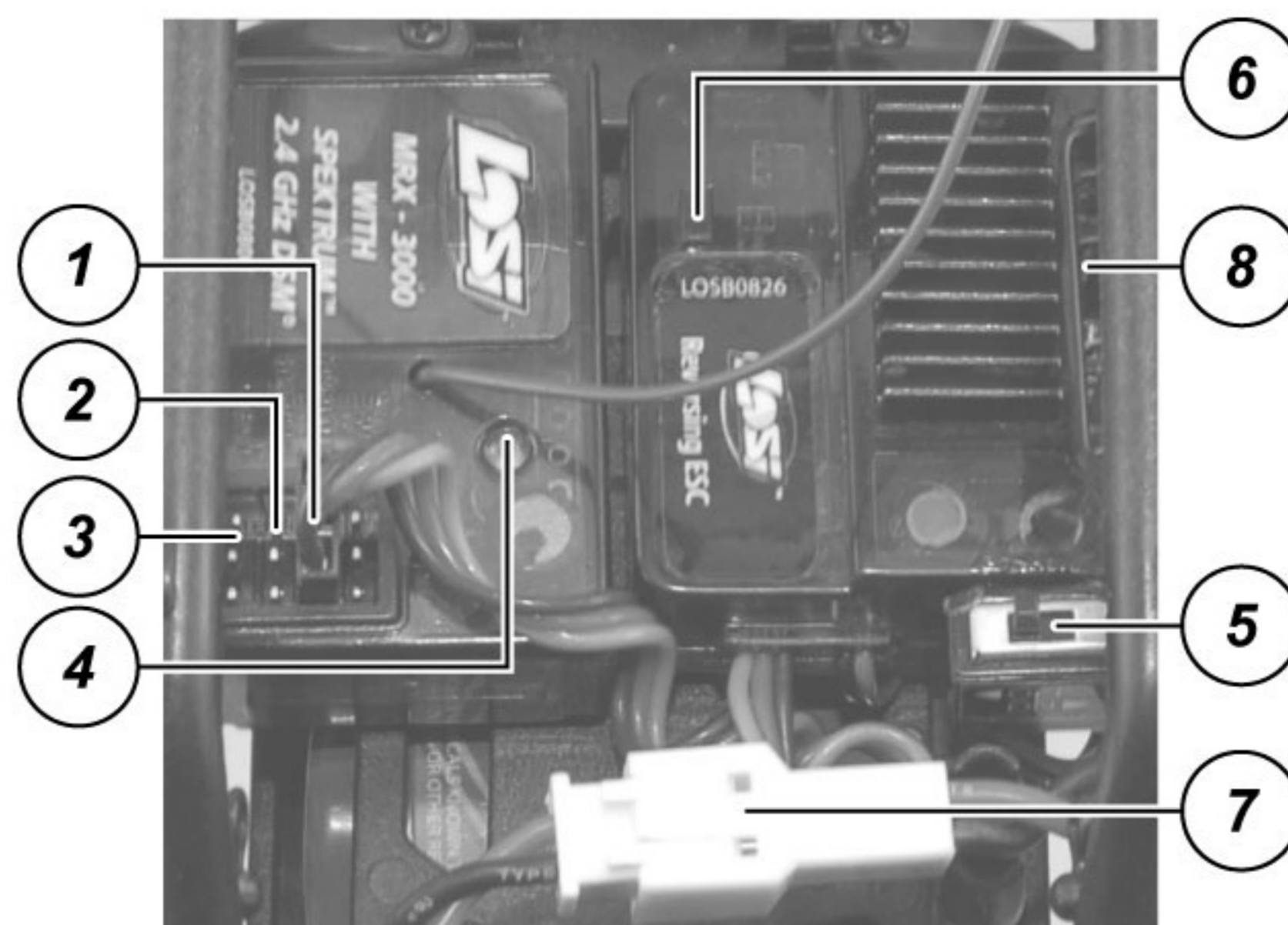
The following is an overview of the various functions and adjustments found on your Losi Mini Desert Buggy radio system. Since the Mini Desert Buggy operates on a radio signal, it is important for you to read and understand about all of these functions before driving the model.

### The Receiver

1. Throttle Port: Where the Electronic Speed Control (ESC) plugs in.
2. Steering Port: Where the steering servo(s) plug in.
3. Bind Port: Used to "bind" the receiver to the transmitter.
4. Indicator Light: Shows that a frequency/channel is being received.

### The Electronic Speed Controller (ESC)

5. On/Off Switch: Powers the receiver and ESC.
6. Setup Button and Indicator Light: Used for re-setting the ESC.
7. Battery Lead: Connects to the battery pack for power.
8. Motor Lead: Connects to the wire leads from the motor.



## The Transmitter

1. **Steering Wheel:** Controls direction (left/right) of the model.
2. **Throttle Trigger:** Controls speed and direction (forward/ reverse) of the model.
3. **Antenna:** Transmits signal to the model.
4. **On/Off Switch:** Turns the power on/off for the transmitter.
5. **Indicator Lights:** Green (right) light indicates adequate battery power. Red (left) indicates signal strength.
6. **ST. Trim:** Adjusts the "hands off" direction of the model.
7. **TH. Trim:** Adjusts the motor speed to stop at neutral.
8. **Steering Rate:** Adjusts amount front wheels move when the steering wheel is turned left and right.
9. **ST. REV:** Reverses the function of the steering when the wheel is turned left or right.
10. **TH. REV:** Reverses the function of the speed control when pulled back or pushed forward.
11. **Bottom Cover:** Covers and holds the batteries that power the transmitter.



## Re-Binding the Transmitter to the Receiver

The Losi DSM radio system included in the Mini Desert Buggy operates on 2.4GHz, and provides 79 different channels which are automatically selected when the transmitter and vehicle are turned on. The communication between the transmitter and receiver starts in the few seconds after the transmitter and vehicle are both turned on. This is called the "binding process". The Losi DSM radio system will not interfere with previous technology radio systems that operate on 27MHz or 75MHz frequencies and you will not receive any interference from them. Although set at the factory, below are the steps required to re-bind your transmitter to the receiver should the need arise. During the bind process there is a unique ID from the transmitter communicated to the receiver to ensure trouble free radio operation.

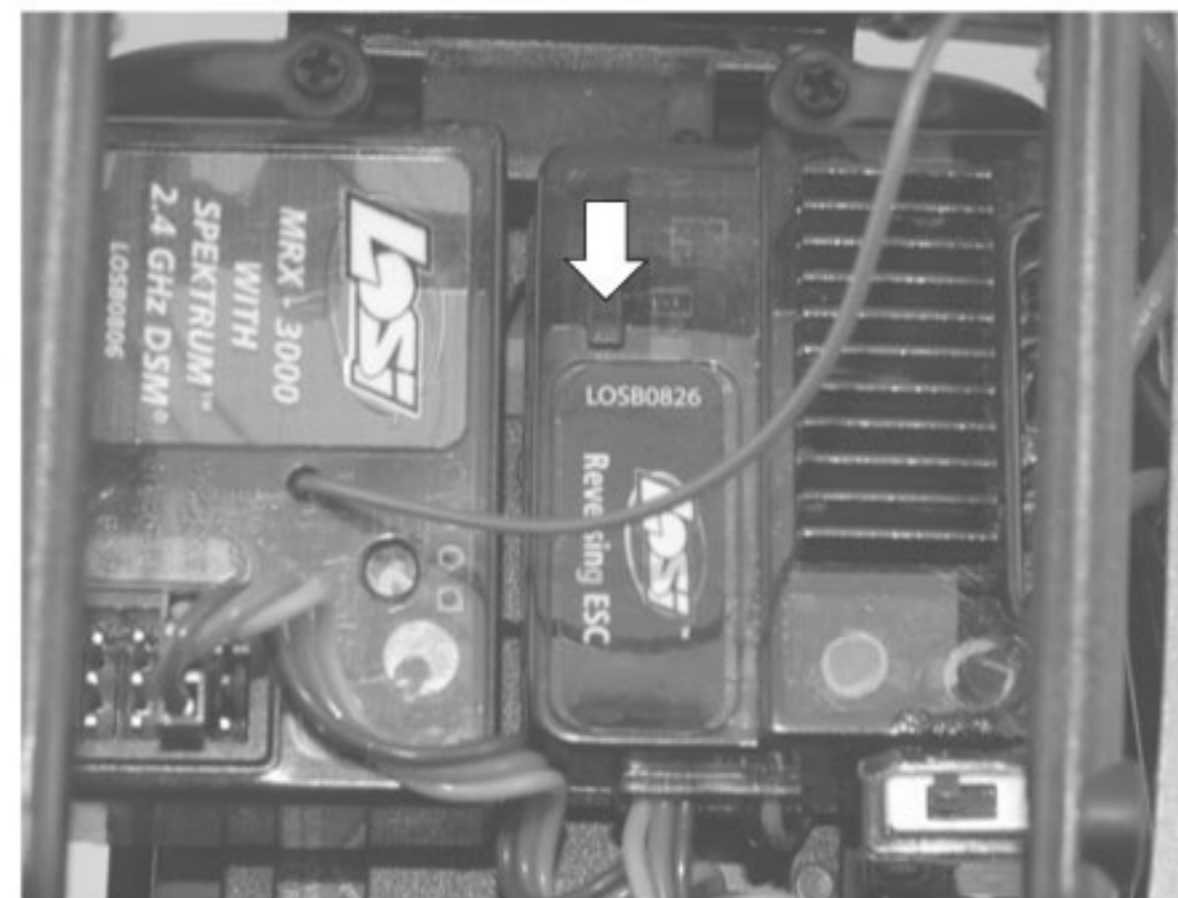
### Steps to Re-Bind

1. Ensure that the transmitter and vehicle are both turned off.
2. Using the supplied Bind plug (which looks like a standard receiver plug with a wire loop installed) insert or plug into the receiver slot labeled "BIND". Looking down on the receiver this slot would be below the LED and is the furthest from the LED, or nearest to the corner of the receiver.  
Note: you do not need to remove any of the other plugs to re-bind.
3. With the Bind plug installed, turn on the vehicle. Notice a blinking Orange LED within the receiver.
4. Now you are ready to turn on the transmitter. You should notice on the back of the transmitter a similar blinking Orange LED under the translucent cover.
5. Both the receiver and transmitter blinking Orange LED will stop blinking and become solid indicating they have "bound" themselves together.
6. Please turn off both the vehicle and transmitter to remove the Bind plug from the receiver. Failing to remove the Bind plug will cause the transmitter to attempt to rebind every time you turn on the vehicle and transmitter.
7. Turn on both the vehicle and transmitter to ensure operation. If the transmitter does not control the vehicle, please repeat steps 1 to 6. Should this not correct the problem please call Horizon Service/Repair for further assistance.
8. The Bind process is complete. Your vehicle's radio system should be ready for use.

## Resetting the ESC

The ESC comes from the factory pre-set and ready for use. If for some reason you should need to re-set the ESC, use the following instructions.

1. Turn on the transmitter and ESC. Press the setup button — both the RED and GREEN LEDs will come on.
2. Pull the throttle trigger all the way back (full speed) and press the setup button once — only the GREEN LED will come on.
3. Push the throttle trigger full forward (brake/reverse) and push the setup button once — only the RED LED will come on.
4. Let the throttle trigger return to the neutral (center) position and press the setup button once more to save the program and exit setup mode — only the GREEN LED will be on.



### Notes:

A: If the receiver does not receive a signal from the Transmitter, the ESC will not enter the Program mode.

B: While in Program mode, the motor will not run.

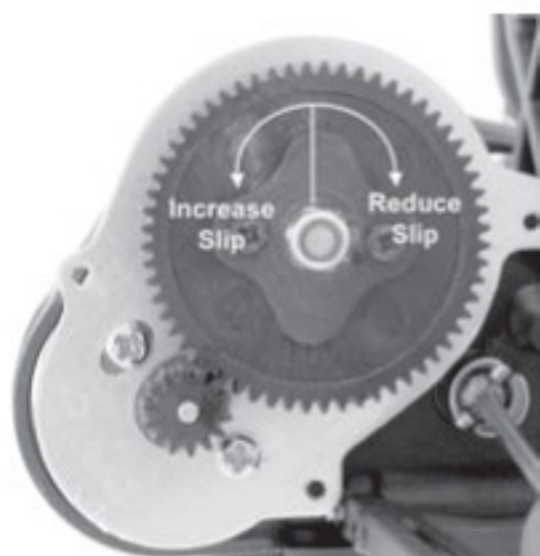
C: If the setup button is not pressed for 20 seconds while in Program mode, the ESC will exit the Program mode and the data will be saved.

## Chassis Tuning

The Mini Desert Buggy has several adjustments available to you for tuning the performance for your needs. Although there are multiple shock positions and camber link locations provided, we have built the model with the best overall settings. The following are simple adjustments and easily maintained settings to assure proper operation and performance. It is advised when making any adjustment that you do so in small increments and always check for other parts of the chassis that are affected.

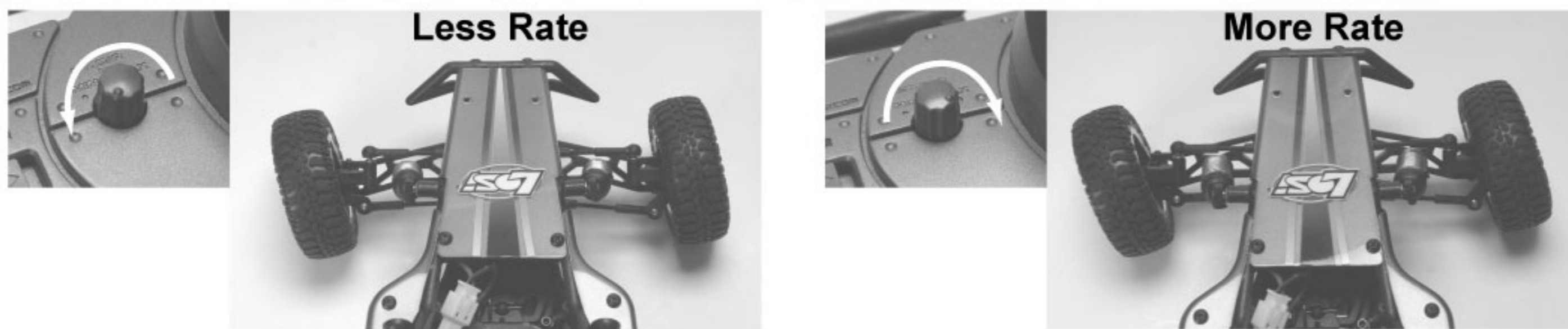
## Slipper Adjustments

The Mini Desert Buggy is equipped with a slipper device offering both traction control and protection for the transmission. The slipper is primarily used to help absorb sudden impacts on the drivetrain due to landing big jumps or when using more powerful aftermarket motors and/or battery packs. Additionally, it can be used to smooth out the flow of power to the rear wheels and limit wheel spin when running on extremely slick surfaces. Adjustment is made by turning the 3mm adjustment nut clockwise (to the right) to reduce the slip, or counterclockwise (to the left) to increase the slip. When adjusted properly, you should be able to hold the rear tires firmly and barely be able to push the spur gear forward with your thumb. To track test, turn the Mini Desert Buggy on and place it on the ground. As you push it backwards allowing it to roll freely, punch the throttle. The slipper should slip no more than an inch or two as it accelerates. With the included motor and battery pack it should slip just a little. Make sure you replace the gear cover before running.



### **Steering Rate**

Your transmitter is equipped with a steering rate control to the left of the steering wheel. This advanced feature, usually found only on competition-type radios, allows you to adjust the amount the front tires move when you turn the steering wheel. This is really helpful when you are on slick, as well as high-traction surfaces. If your Mini Desert Buggy turns too sharply and/or spins out easily, try turning the steering rate down by rotating the knob counterclockwise (to the left). For sharper or additional steering, try turning the knob clockwise (to the right).



### **Camber**

Camber is the angle of the tires to the racing surface when viewed from the front or rear of the truck. You want to keep both the front and rear tires straight up and down or leaning in at the top very slightly. If you are running on carpet or similar high-traction surfaces, you may find leaning the tires in a bit more helps. This adjustment is made with the threaded links extending from the front or rear bulkhead to the spindle carrier or rear hub. Making the camber rods shorter increases the camber and lean-in of the tire, while making the camber rods longer decreases the camber.



### **Toe-In**

This is the relationship of the left and right side tire to one another. Ideally you want the front of the tires to be pointed inward toward each other just slightly when viewed from above. This makes the model track straight and stable. This is controlled with the threaded steering rods on either side. As you make them longer you will increase the toe-in and vice versa.



### **Ride Height**

This is the height the chassis sits and runs at. Spring spacers included with the Mini Desert Buggy, when installed between the shock top and spring, will increase the pre-load on the spring and raise the chassis. You may want to try this when running on extremely rough surfaces.



## Service/Repair

### Radio/Speed Control & Motor

If you have any problems other than those covered in the troubleshooting section, please call the electronics service department at (877) 504-0233. They will be able to give your specific problem additional attention and instruct you as to what needs to be done.

### Chassis

If you have any questions other than those covered in the troubleshooting or maintenance sections, please call (877) 504-0233.

### Cleaning

Performance can be hindered if dirt gets in any of the moving suspension parts. Use compressed air, a soft paintbrush, or toothbrush to remove dust or dirt. Avoid using solvents or chemicals as they can actually wash dirt into the bearings or moving parts as well as cause damage to the electronics.

### Rebuilding the Differential

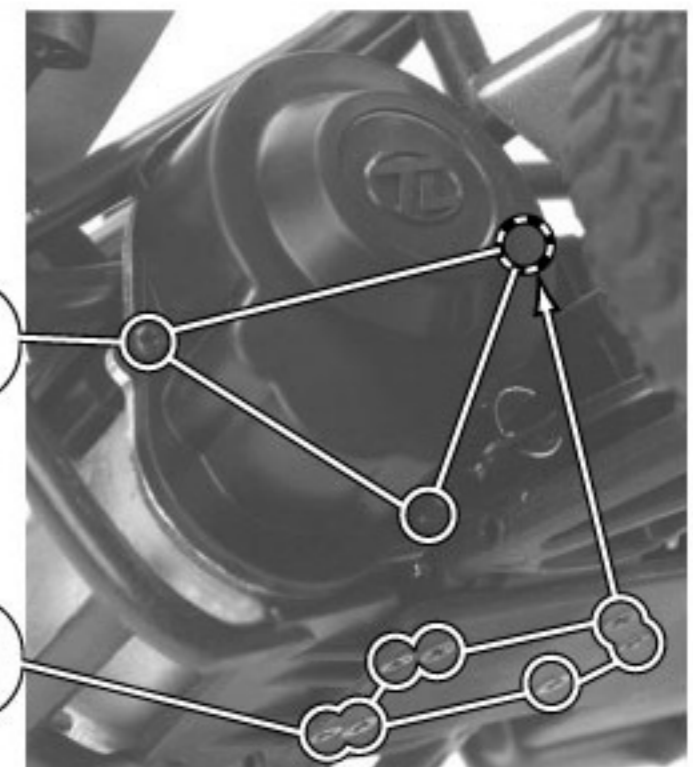
The gears in the differential will wear over time. The same is true for the outrives, driveshafts, and rear axles. We suggest using a small rag or paper towel to lay out the parts you remove to make it easier to reassemble.

### Disassembly

1. Unplug the motor.
2. Remove the gear cover (three screws).
3. Remove the two screws at the extreme rear bottom of the chassis.
4. Remove the screw attaching the rear shock tower to the transmission and the four screws at the bottom of the chassis holding the gearbox in place and slide it out of the chassis.
5. Remove the left side of the gearbox by removing the three screws.
6. Remove any shims on the bevel gears and set them aside so they can be reinstalled in the same location.
7. Carefully remove the large plastic sun gear and the bevel gears on either side of it. You can use the removed differential assembly as a guide for putting together the replacement unit (a little Losi grease LOSA3066 can be applied for even better performance).
8. Remove the center mounted idler gear from the gearbox. Remove the shaft and push out the ball bearings from either side. Install these bearings in the new gear.

To Remove Gear Cover

To Remove Transmission



### Reassembly

Replace the idler gear and shaft into the center of the same right side of the gearbox. Replace any shims removed from the right bevel gear and slide it through the lower bearing. Replace any shims that came off of the left side bevel gear and allow it to slide through the lower bearing as you put the left gearbox half back into position. Replace the screws and reinstall the rebuilt gearbox using the steps in reverse order that were used to remove it.

### Changing the Spur Gear

Remove the gear cover by removing the three small screws. If you are replacing the spur gear with one of a different size (number of teeth), you must first loosen (do not remove) the two screws that secure the motor and slide it back slightly. Remove the 3mm nut at the end of the slipper shaft and all of the slipper parts on the outside of the spur gear as well as the old gear. Place the new spur gear into position and replace the slipper parts. If you have changed the size of the spur, see Setting the Gear Mesh below. After you have changed the spur gear, you will have to adjust the slipper as described elsewhere.

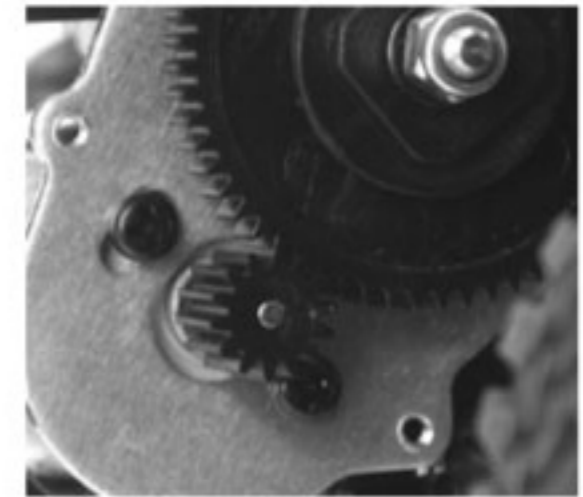
### **Changing the Pinion Gear/Gear Ratio**

Before you change the pinion gear ask yourself why you are doing it. In general, if you change to a larger pinion the top speed will improve but you will see less acceleration and run time. Changing to a smaller pinion will give you quicker acceleration and possibly a bit longer run time but a little less top speed. This would be good for short layouts or when running hotter motors. The pinion on the Mini Desert Buggy offers the best balance of both. To change the pinion, remove the gear cover, loosen the motor screws, and slide the motor back. Use a pair of small needle-nose pliers between the motor plate and back of the pinion to push the pinion off. Place the new pinion on the end of the motor shaft and, using the flat of the pliers or a similar flat tool, push it on to the same position as the one removed. See Setting the Gear Mesh below.

Warning: When running aftermarket motors, check with the motor manufacturer for correct gearing. Never over-gear the motor as it can cause overheating, damaging it and the speed control.

### **Setting the Gear Mesh**

The motor screws should be slightly loose. Slide the motor forward allowing the pinion gear to mesh with the spur gear. Snug (not tight) the bottom motor screw and try rocking the spur back and forth. There is a slight bit of movement before the motor is forced to turn over. If not, pull the top of the motor back slightly and recheck. If there is too much slop between the gears, push the top of the motor forward. When set properly the wheels can be spun forward freely with very little noise. Make sure to tighten both motor screws and replace the gear cover before running.



### **Steering Servo Installation/Removal**

Unplug the servo lead from the receiver. Remove the four small screws that secure the servo mount/chassis brace to the chassis. Use a screwdriver or small pliers to pop the steering link off of the servo, so it can be removed. There is no need to remove the servo mounts on either side as all service can be done with them on. Replace in the reverse sequence used to remove it.



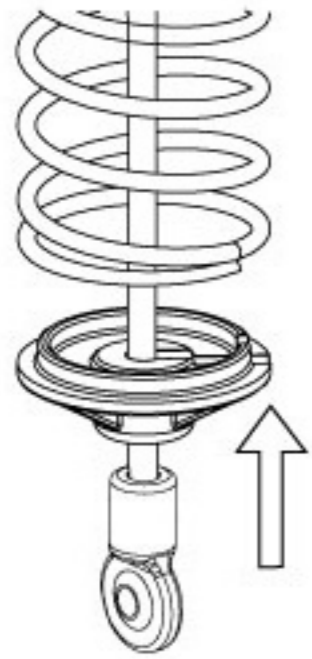
### **Receiver/Speed Control (ESC) Installation/Removal**

Unplug the power lead, motor leads and steering servo. Do not attempt to open the receiver or electronic speed control (ESC) as only a factory technician has the proper tools and parts to make any repairs necessary. The receiver and ESC are mounted with double-sided foam tape. Use your thumb and index finger at the bottom of the front corners to pull them from the mount. If necessary, carefully use a large flat blade screwdriver between the unit and the mount to pry it loose. Make sure you remove any leftover foam or adhesive before remounting with common servo tape or hobby type foam tape.

## 1/18 MINI DESERT BUGGY TROUBLESHOOTING GUIDE

<i>Symptom</i>	<i>Possible Cause(s)</i>	<i>Possible Solution(s)</i>
<b><i>Doesn't operate</i></b>	Battery not charged or plugged in Receiver switch not "On" Transmitter not "On" or low battery	Charge battery/plug-in Turn on receiver switch Turn on/replace batteries
<b><i>Motor runs but rear wheels don't move</i></b>	Pinion not meshing with spur gear Pinion spinning on motor shaft Slipper too loose Transmission gears stripped Drive pin in axle missing	Adjust pinion/spur mesh Replace pinion gear on motor Check & adjust slipper Replace transmission gears Check and replace drive pin
<b><i>Steering doesn't work</i></b>	Servo plug not in receiver Servo gears or motor damaged	Check if plug in/in all the way Replace or repair servo
<b><i>Won't turn in one Direction</i></b>	Servo gears damaged	Replace servo
<b><i>Motor doesn't run</i></b>	Motor plugs loose Motor wire broken ESC damaged	Plug in completely Repair or replace as needed Contact Horizon Hobby Product Support
<b><i>ESC gets hot</i></b>	Motor over-gearred Driveline bound up	Use smaller pinion on motor Check wheels, suspension, and transmission for binding
<b><i>Poor run time and/or sluggish acceleration</i></b>	NiMH pack not fully charged Charger not allowing full charge Slipper slipping too much Motor worn out Driveline bound up	Recharge battery Try another charger Check/adjust slipper Replace motor Check wheels and transmission for binding
<b><i>Poor range and/or glitching</i></b>	Transmitter batteries low Transmitter antenna loose Vehicle battery low Loose plugs or wires	Check and replace Check and tighten Recharge or replace Check motor and power plugs
<b><i>Slipper won't adjust</i></b>	Drive pin missing in shaft Spur gear face worn out	Replace drive pin Replace spur gear and adjust slipper

# Rebuilding/Refilling the Shocks



## Step 1

After removing the shock, push up on the lower spring cup and remove it from the shaft. Remove the spring and preload spacers.



## Step 2

Turn the shock upside down and remove the black shock cartridge/shaft assembly from the shock body by turning it counterclockwise.

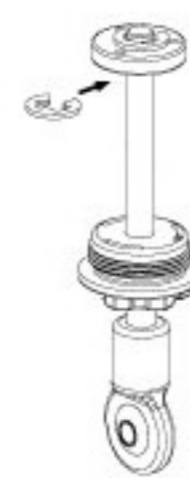
**Note:** If you only wish to change or fill the shock fluid, skip to step 5.



## Step 3

Remove the top E-clip from the shock shaft. Remove the shock piston. Remove second E-clip. Remove the old cartridge.

Put a drop of oil on the shock shaft before installing a new shock cartridge.



## Step 4

Reinstall the lower E-clip. Slide the shock piston onto the shock shaft against the E-clip. Reinstall the top E-clip.



## Step 5

If you plan on completely changing the shock fluid (suggested), dump out the old fluid from the shock body. Carefully fill the shock body with fluid to the bottom of the threads inside the shock body.



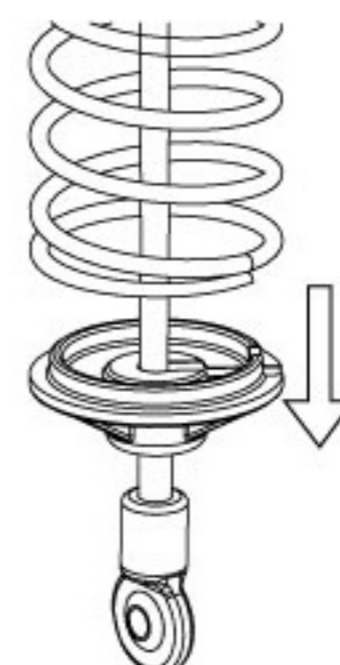
## Step 6

Pull the shaft out so the piston is next to the cartridge and reinstall the assembly into the shock body. Turn in a clockwise direction until snug—DO NOT TIGHTEN yet!



## Step 7

Turn the shock over and use a #0 Phillips screwdriver to remove the small bleed screw at the top of the shock. Slowly push the shock shaft up until it stops. Excess fluid should flow out of the bleed hole. Slowly pull the shock shaft halfway back and replace the bleed screw. Use pliers to tighten the cartridge, being careful not to strip the plastic lobes on the cartridge.



## Step 8

Replace the spring and spring cup and test the shock action for smoothness and leaks. Retighten the bleed screw or cartridge if either leaks. Remount the shock on your truck.

**\*\* Production shock parts may differ from those shown in above drawings.**

**Age Recommendation**

14 years or over. This is not a toy. This product is not intended for use by children without direct adult supervision.

**Warranty Period**

Exclusive Warranty- Horizon Hobby, Inc., (Horizon) warrants that the Products purchased (the "Product") will be free from defects in materials and workmanship at the date of purchase by the Purchaser.

**Limited Warranty**

(a) This warranty is limited to the original Purchaser ("Purchaser") and is not transferable. REPAIR OR REPLACEMENT AS PROVIDED UNDER THIS WARRANTY IS THE EXCLUSIVE REMEDY OF THE PURCHASER. This warranty covers only those Products purchased from an authorized Horizon dealer. Third party transactions are not covered by this warranty. Proof of purchase is required for warranty claims. Further, Horizon reserves the right to change or modify this warranty without notice and disclaims all other warranties, express or implied.

(b) Limitations- HORIZON MAKES NO WARRANTY OR REPRESENTATION, EXPRESS OR IMPLIED, ABOUT NON-INFRINGEMENT, MERCHANTABILITY OR FITNESS FOR A PARTICULAR PURPOSE OF THE PRODUCT. THE PURCHASER ACKNOWLEDGES THAT THEY ALONE HAVE DETERMINED THAT THE PRODUCT WILL SUITABLY MEET THE REQUIREMENTS OF THE PURCHASER'S INTENDED USE.

(c) Purchaser Remedy- Horizon's sole obligation hereunder shall be that Horizon will, at its option, (i) repair or (ii) replace, any Product determined by Horizon to be defective. In the event of a defect, these are the Purchaser's exclusive remedies. Horizon reserves the right to inspect any and all equipment involved in a warranty claim. Repair or replacement decisions are at the sole discretion of Horizon. This warranty does not cover cosmetic damage or damage due to acts of God, accident, misuse, abuse, negligence, commercial use, or modification of or to any part of the Product. This warranty does not cover damage due to improper installation, operation, maintenance, or attempted repair by anyone other than Horizon. Return of any goods by Purchaser must be approved in writing by Horizon before shipment.

**Damage Limits**

HORIZON SHALL NOT BE LIABLE FOR SPECIAL, INDIRECT OR CONSEQUENTIAL DAMAGES, LOSS OF PROFITS OR PRODUCTION OR COMMERCIAL LOSS IN ANY WAY CONNECTED WITH THE PRODUCT, WHETHER SUCH CLAIM IS BASED IN CONTRACT, WARRANTY, NEGLIGENCE, OR STRICT LIABILITY. Further, in no event shall the liability of Horizon exceed the individual price of the Product on which liability is asserted. As Horizon has no control over use, setup, final assembly, modification or misuse, no liability shall be assumed nor accepted for any resulting damage or injury. By the act of use, setup or assembly, the user accepts all resulting liability. If you as the Purchaser or user are not prepared to accept the liability associated with the use of this Product, you are advised to return this Product immediately in new and unused condition to the place of purchase.

Law: These Terms are governed by Illinois law (without regard to conflict of law principals).

**Safety Precautions**

This is a sophisticated hobby Product and not a toy. It must be operated with caution and common sense and requires some basic mechanical ability. Failure to operate this Product in a safe and responsible manner could result in injury or damage to the Product or other property. This Product is not intended for use by children without direct adult supervision. The Product manual contains instructions for safety, operation and maintenance. It is essential to read and follow all the instructions and warnings in the manual, prior to assembly, setup or use, in order to operate correctly and avoid damage or injury.

**Questions, Assistance, and Repairs**

Your local hobby store and/or place of purchase cannot provide warranty support or repair. Once assembly, setup or use of the Product has been started, you must contact Horizon directly. This will enable Horizon to better answer your questions and service you in the event that you may need any assistance. For questions or assistance, please direct your email to [productsupport@horizonhobby.com](mailto:productsupport@horizonhobby.com), or call 877.504.0233 toll free to speak to a service technician.

**Inspection or Repairs**

If this Product needs to be inspected or repaired, please call for a Return Merchandise Authorization (RMA). Pack the Product securely using a shipping carton. Please note that original boxes may be included, but are not designed to withstand the rigors of shipping without additional protection. Ship via a carrier that provides tracking and insurance for lost or damaged parcels, as Horizon is not responsible for merchandise until it arrives and is accepted at our facility. A Service Repair Request is available at [www.horizonhobby.com](http://www.horizonhobby.com) on the "Support" tab. If you do not have internet access, please include a letter with your complete name, street address, email address and phone number where you can be reached during business days, your RMA number, a list of the included items, method of payment for any non-warranty expenses and a brief summary of the problem. Your original sales receipt must also be included for warranty consideration. Be sure your name, address, and RMA number are clearly written on the outside of the shipping carton.

### Warranty Inspection and Repairs

To receive warranty service, you must include your original sales receipt verifying the proof-of-purchase date. Provided warranty conditions have been met, your Product will be repaired or replaced free of charge. Repair or replacement decisions are at the sole discretion of Horizon Hobby.

### Non-Warranty Repairs

Should your repair not be covered by warranty the repair will be completed and payment will be required without notification or estimate of the expense unless the expense exceeds 50% of the retail purchase cost. By submitting the item for repair you are agreeing to payment of the repair without notification. Repair estimates are available upon request. You must include this request with your repair. Non-warranty repair estimates will be billed a minimum of 1/2 hour of labor. In addition you will be billed for return freight. Please advise us of your preferred method of payment. Horizon accepts money orders and cashiers checks, as well as Visa, MasterCard, American Express, and Discover cards. If you choose to pay by credit card, please include your credit card number and expiration date. Any repair left unpaid or unclaimed after 90 days will be considered abandoned and will be disposed of accordingly. Please note: non-warranty repair is only available on electronics and model engines.

Electronics requiring inspection or repair should be shipped to the following address:

Horizon Service Center  
4105 Fieldstone Road  
Champaign, Illinois 61822  
USA

All other Products requiring warranty inspection or repair should be shipped to the following address:

Horizon Product Support  
4105 Fieldstone Road  
Champaign, Illinois 61822  
USA

Please call 877-504-0233 or e-mail us at [productsupport@horizonhobby.com](mailto:productsupport@horizonhobby.com) with any questions or concerns regarding this product or warranty.

### United Kingdom

Electronics and engines requiring inspection or repair should be shipped to the following address:

Horizon Hobby UK  
Units 1-4 Ployters Rd  
Staple Tye, Harlow  
Essex  
CM18 7NS  
United Kingdom

Please call +44 (0) 1279 641 097 or email us at [sales@horizonhobby.co.uk](mailto:sales@horizonhobby.co.uk) with any questions or concerns regarding this product or warranty.

### CE Compliance Information for the European Union

### Instructions for Disposal of WEEE by Users in the European Union

This product must not be disposed of with other waste. Instead, it is the user's responsibility to dispose of their waste equipment by handing it over to a designated collection point for the recycling of waste electrical and electronic equipment. The separate collection and recycling of your waste equipment at the time of disposal will help to conserve natural resources and ensure that it is recycled in a manner that protects human health and the environment. For more information about where you can drop off your waste equipment for recycling, please contact your local city office, your household waste disposal service or where you purchased the product.

			UK	DE	DK	BG	SE
			FI	EE	LV	LT	PL
			CZ	SK	HU	RO	SI
			AT	IT	ES	PT	IE
			NL	LU	MT	CY	GR



Horizon Hobby, Inc.  
4105 Fieldstone Road  
Champaign, IL 61822 USA

**Declaration of Conformity**  
(in accordance with ISO/IEC 17050-1)

No. HH20090912

Product(s): Mini-Desert Buggy  
Item Number(s): LOSB0204

Equipment class: 2

The object of declaration described above is in conformity with the requirements of the specifications listed below, following the provisions of the European R&TTE directive 1999/5/EC:

EN 300-328 Technical requirements for Radio equipment.  
EN 301 489-1, 301 489-17 General EMC requirements

Signed for and on behalf of:  
Horizon Hobby, Inc.  
Champaign, IL USA  
SEP 12, 2009

Steven A. Hall  
Vice President  
International Operations and Risk Management  
Horizon Hobby, Inc.







# mini **DESERT** BUGGY

1/18-SCALE READY-TO-RUN MINI DESERT BUGGY



## Replacement Parts Price List

LOS0805	Losi DSM Transmitter .....	\$69.99
LOS0806	Losi DSM Receiver.....	\$59.99
LOS0813	MS20DSL Servo with Long Lead .....	\$24.99
LOS0826	MSC20RB Electronic Speed Control .....	\$40.49
LOS1018	Front Bulkhead, Kickplate & Brace .....	\$5.49
LOS1020	F/R Pivot Block Set .....	\$3.99
LOS1024	F/R Suspension Arm Set .....	\$6.49
LOS1027	Spindle, Carrier & Rear Hub Set .....	\$5.49
LOS1029	Steering Bellcrank Set .....	\$5.49
LOS1030	Main Chassis.....	\$7.99
LOS1032	Battery Stay/Radio Mount Set.....	\$4.99
LOS1033	Servo Mount & Steering Link Set .....	\$5.99
LOS1037	Front Axle & Pin Brace Set.....	\$5.99
LOS1040	Camber & Steering Link Set .....	\$3.49
LOS1041	Suspension Pin Set.....	\$5.99
LOS1043	E-Clips (10) .....	\$2.99
LOS1045	Wheel Nuts & Drive Pins .....	\$2.49
LOS1049	Rod End Set (14) .....	\$4.49
LOS1051	Ball Stud Set (10) .....	\$6.49
LOS1058	Transmission Case & Motor Plate Set.....	\$10.99
LOS1060	Transmission Ball Bearing Set (7) .....	\$22.99
LOS1062	Transmission Shaft Set .....	\$6.99
LOS1064	Slipper Hardware Set.....	\$5.49
LOS1066	Transmission Gear Set .....	\$3.99
LOS1068	Spur Gear Set (50T & 60T) .....	\$4.99
LOS1069	Pinion Gear Set (Molded) .....	\$4.49
LOS1071	Gear Cover Set .....	\$3.99
LOS1073	Outdrive/Dogbone/Rear Axle Set.....	\$14.49
LOS1081	Front Wheel/Tire Mounted, Chrome.....	\$14.99
LOS1082	Rear Wheel/Tire Mounted, Chrome .....	\$14.99
LOS1089	Motor with Wires & Plugs .....	\$13.99
LOS1100	F/R Ball Bearing Set (8) .....	\$17.99
LOS1101	Fastener Set .....	\$3.49
LOS1120	Main Cage .....	\$4.99
LOS1121	Bracket Set.....	\$4.99
LOS1122	Side Cage Set .....	\$4.99
LOS1123	Bumper/Strut/Mount Set .....	\$6.99
LOS1124	Roof Panel .....	\$6.99
LOS1291	Front Shock Springs (pr).....	\$3.50
LOS1292	Rear Shock Springs (pr) .....	\$3.50
LOS1293	Front Shocks w/ Springs, Assm. (pr) .....	\$14.99
LOS1294	Rear Shocks w/ Springs, Assm. (pr) .....	\$14.99
LOS1295	Front Shock Body Set (pr) .....	\$3.00
LOS1296	Rear Shock Body Set (pr) .....	\$3.00

## Replacement Parts Price List (con't)

LOS1297	Front Shock Shaft Set (pr) .....	\$5.00
LOS1298	Rear Shock Shaft (pr).....	\$5.00
LOS1299	F/R Shock Rebuild Kit (pr) .....	\$4.50
LOS1306	Body Set w/ Stickers—Red .....	\$17.99
LOS1307	Body Set w/ Stickers—Blue .....	\$17.99
LOS1308	Body Set w/ Stickers—Green .....	\$17.99

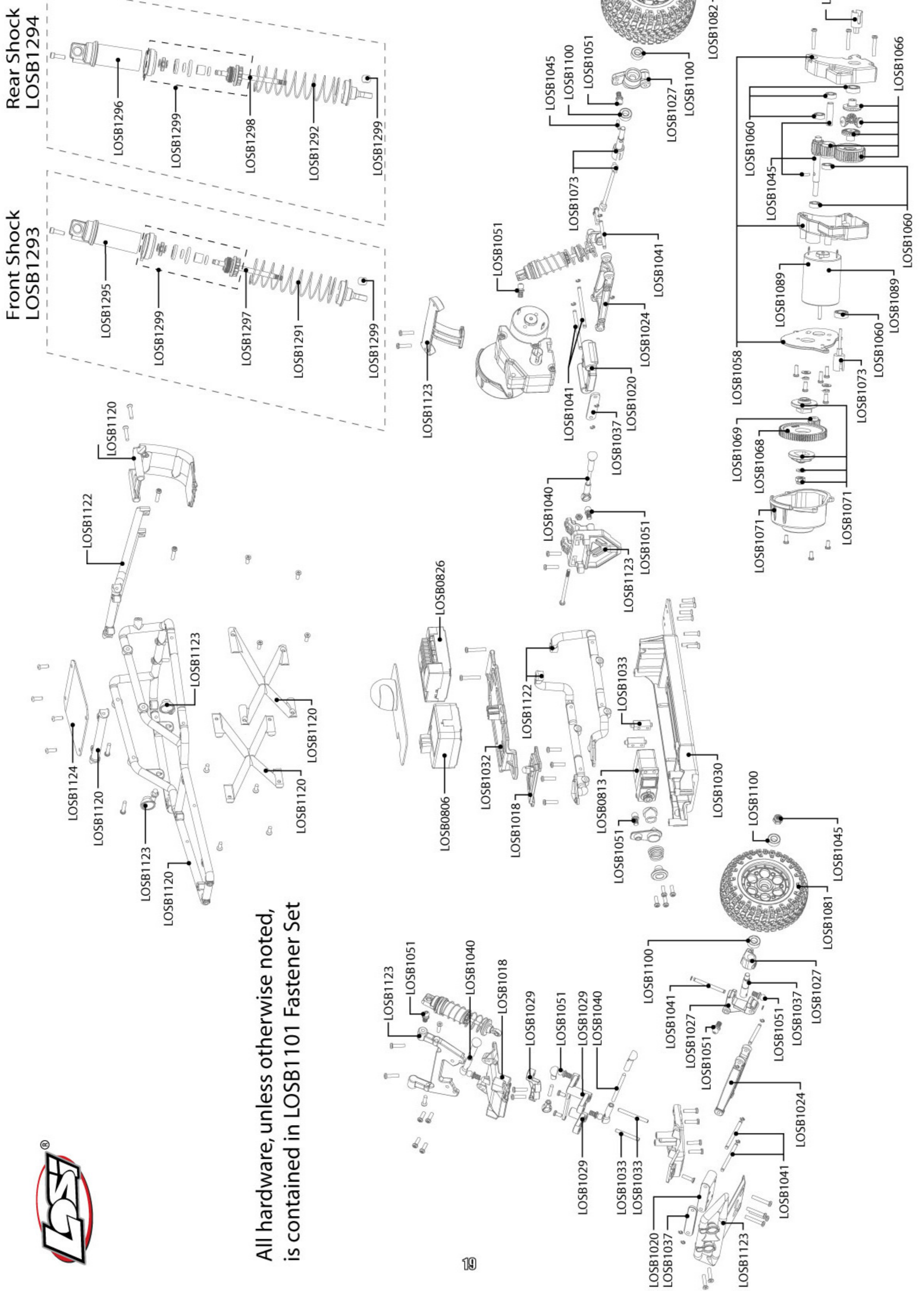
## Option Parts

LOS0837	Insane 370 BB motor .....	\$31.99
LOS1013	Track Dots, Neon Orange (12) .....	\$6.99
LOS1100	F/R Ball Bearing Set (8).....	\$17.99
LOS1110	Aluminum Shock Set .....	\$33.24
LOS1117	Front Spring Set for Oil Shocks.....	\$8.00
LOS1119	Rear Spring Set for Oil Shocks .....	\$8.00
LOS1125	Ball Differential, Assm. w/ bearings .....	\$24.99
LOS1131	Dual Disk Aluminum Slipper—Adjustable .....	\$15.99
LOS1206	AC Peak Charger (1 hour) .....	\$19.99
LOS1216	RX-280 Ball Bearing Motor w/ wires .....	\$14.99
LOS1226	Servo Saver Set .....	\$4.99
LOS1230	Titanium Turnbuckle Set .....	\$29.99
LOS1240	CV Driveshaft Set .....	\$19.99
LOS1260	Pinion Gear Set, 9T-12T .....	\$14.99
LOS1261	Pinion Gear Set, 13T-16T .....	\$14.99
LOS1262	Pinion Gear Set, 17T-20T .....	\$14.99
LOS1263	Pinion Gear Set, 14T, 16T, 18T, 20T .....	\$14.99
LOS1264	Pinion Set Screw w/ Wrench .....	\$9.99
LOS1309	Body Set w/ Stickers—Clear .....	\$13.99
LOS1345	Sticker Sheet .....	\$6.99
LOS9460	1/18th Xcelorin 6000KV Brushless Motor .....	\$49.99
LOS9461	1/18th Xcelorin 7400KV Brushless Motor .....	\$49.99
LOS9462	1/18th Xcelorin 8200KV Brushless Motor .....	\$49.99
LOS9463	1/18th Xcelorin 9400KV Brushless Motor .....	\$49.99
LOS9535	1/8th Xcelorin Brushless Electronic Speed Control.....	\$65.99
LOS9560	Xcelorin 6000KV Brushless Combo * .....	\$109.99
LOS9561	Xcelorin 7400KV Brushless Combo * .....	\$109.99
LOS9562	Xcelorin 8200KV Brushless Combo * .....	\$109.99
LOS9563	Xcelorin 9400KV Brushless Combo * .....	\$109.99
LOS9630	7.4V 1650mAh 2S 20C LiPo Battery/Charger Combo .....	\$64.99
LOS9830	7.4V 1650mAh LiPo 2S 20C Battery .....	\$44.99





All hardware, unless otherwise noted,  
is contained in LOSB1101 Fastener Set





# mini **DESERT** BUGGY

1/18-SCALE READY-TO-RUN MINI-DESERT BUGGY



© 2009 Losi, A division of Horizon Hobby, Inc.  
Not responsible for typographical errors.  
All pricing subject to change without notice.

Printed 08/09

800-0407

The Spektrum trademark is used with permission of Bachmann Industries, Inc. Spektrum radios and accessories are exclusively available from Horizon Hobby, Inc.

Printed in China