

# QUICK START GUIDE

## T400Q AC/DC Quattro Balance Charger/Discharger



Scan for  
T400Q instruction manual  
or download through [www.skyrc.com](http://www.skyrc.com)

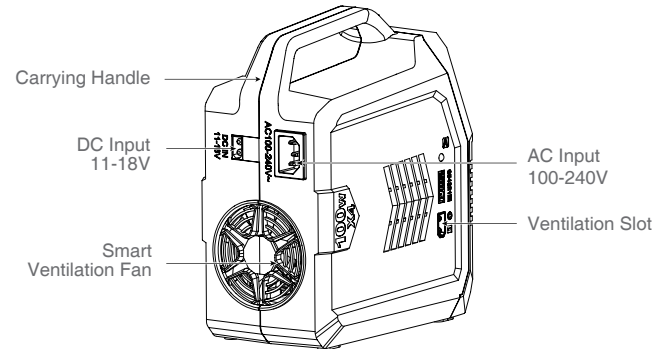
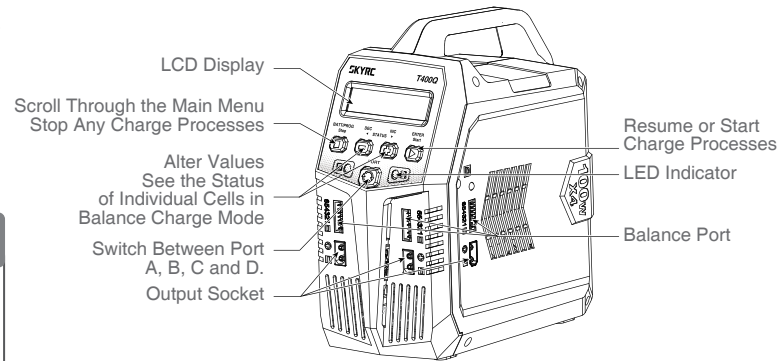
**SKYRC**

Thanks for purchasing SkyRC T400Q AC/DC Quattro Balance Charger/Discharger. This charger comes with four independent circuits that can charge various chemistries batteries (LiPo/LiFe/Lilon/LiHV/NiMH/NiCd/Pb). The charger delivers up to 100W per port and can charge four batteries simultaneously at up to 12 amps each. It comes ready to charge in the most compact design yet while taking up minimal space in the pit area. And the handle design ensures the charger is convenient to carry. Additionally, the charger also can charge AGM and Pb battery under a low temperature in the AGM and Cold modes.

### Warning and Safety Notes

These warnings and safety notes are particularly important. Please follow the instructions for maximum safety; otherwise the charger and the battery can be damaged or at worst it can cause a fire.

- ❗ **Never leave the charger unattended when it is connected to its power supply. If any malfunction is found, TERMINATE THE PROCESS AT ONCE and refer to the operation manual.**
- ❗ **Keep the charger well away from dust, damp, rain, heat, direct sunshine and vibration. Never drop it.**
- ❗ **The allowable AC input voltage is 100~240V AC and DC input 11-18V.**
- ❗ **This charger and the battery should be put on a heat-resistant, nonflammable and nonconductive surface. Never place them on a car seat, carpet or similar. Keep all the inflammable volatile materials away from operating area.**
- ❗ **Make sure you know the specifications of the battery to be charged or discharged to ensure it meets the requirements of this charger. If the program is set up incorrectly, the battery and charger may be damaged. It can cause fire or explosion due to overcharging.**

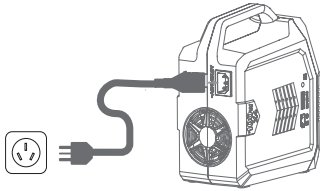


## Power and Battery Connection

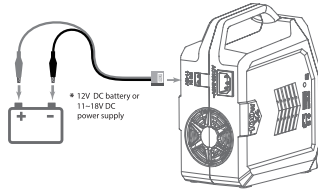
### 1. Connect to the power source

There are two ways to power SkyRC T400Q: DC 11-18V and AC 100-240V.

AC 100-240V Mains Power Supply:



12V DC Battery / DC Power Supply:

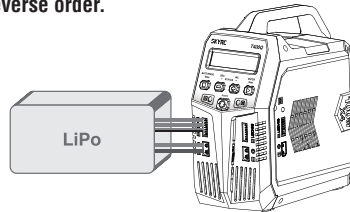


### 2. Connect the battery



**To avoid short circuit, always connect the charge leads to the charger first, and then to the battery. Disconnect the pack in the reverse order.**

#### 1) LiPo Battery Connection

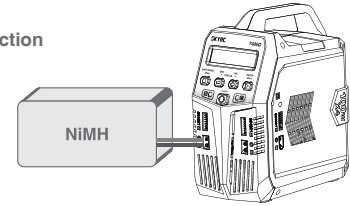


For safety reasons, the default setting for charging Lithium (LiPo, Lilon, LiFe and LiHV) battery is using a balance adaptor to connect the battery and charger in Charge, Fast Charge, Balance Charge, Discharge and Storage modes.

But if the battery comes without balance wires, please proceed with the prompt message "No balance cable detected, push Enter to continue."

The balance wires of the battery must connect to the charger with the black wire aligned to the negative marking. Ensure correct polarity!

### 2) NiMH/NiCd or Pb Battery Connection



Please scan and watch the tutorial video about how to charge LiPo battery in balance mode.

## Specification

AC Input Voltage: <b>100-240V</b>	Charge Current: <b>0.1-12.0A</b>
DC Input Voltage: <b>11-18V</b>	Balance Current: <b>500mA/cell</b>
LiPo/LiHV/LiFe/Lilon: <b>1-6S</b>	Discharge Wattage: <b>10W</b>
NiMH/NiCd: <b>1-15S</b>	Discharge Current: <b>0.1-2.0A</b>
Pb: <b>2-20V</b>	Weight: <b>1610g</b>
Charge Wattage: <b>100W X 4</b>	Case Size: <b>186*103*209mm</b>

Manufactured by  
**SKYRC TECHNOLOGY CO., LTD.**



All specifications and figures are subject to change without notice.  
© 2022.07 [Version 1.0]

7504-1666-01