

# TRAIL PROVEN OFF-ROAD PERFORMANCE

# SCX10™

**DINGO™**  
**BUILDER'S KIT**  
1/10th SCALE ELECTRIC 4WD



[www.axialracing.com](http://www.axialracing.com)

# SCX10

## CAUTIONS



To prevent serious personal injury and/or property damage, operate all remotely controlled models in a responsible manner as outlined herein.

### CHOOSE THE RIGHT PLACE TO OPERATE YOUR R/C MODEL.

- Do not run on public streets or highways. This could cause serious accidents, personal injuries, and/or property damage.
- Never run R/C models near people or animals.
- To avoid injury, do not run in confined spaces.
- Do not run where loud noises can disturb others, such as hospitals and residential areas.
- Never run indoors. There is a high risk of fire and/or damage.

### INSPECT YOUR MODEL BEFORE OPERATION.

- Make sure that all screws and nuts are properly tightened. It is also a good idea to use removable thread lock wherever metal screws go into metal, especially for engine mounts and the engine pilot shaft.
- Always use fresh batteries for your transmitter and for your receiver to avoid losing control of the model.
- Always test the brakes and throttle before starting your engine to avoid losing control of the model.
- Make sure no one else is using the same radio frequency as you are using.

### AFTER OPERATION OF YOUR R/C MODEL

- Turn off receiver first, then turn off transmitter, this will prevent runaways.
- Be careful when handling batteries, they will be hot after running.
- Replace any batteries that have been dented or have frayed wires, short circuits can cause fire.
- Be sure to keep your R/C model clean and free of excess dirt and grease, this will increase the life.

## VORSICHT!



Um Verletzungen an Personen und/oder Sachschäden zu vermeiden, sollten alle ferngesteuerten Modelle sorgfältig und verantwortungsbewusst bedient werden, wie nachfolgend beschrieben.

### Wählen Sie den richtigen Platz zum Fahren

- Fahren Sie niemals auf öffentlichen Straßen. Dies könnte Verkehrsunfälle, Personen schäden oder Sachschäden verursachen.
- Fahren Sie niemals in der Nähe von anderen Personen oder Tieren.
- Fahren Sie niemals auf belebten Straßen.
- Fahren Sie nie in der Nähe von Wohnhäusern oder Krankenhäusern. Der Lärm könnte andere Personen stören.
- Fahren Sie niemals in Innenräumen. Dort könnte etwas beschädigt werden.

### Überprüfen Sie Ihr Modell, bevor Sie es in Betrieb nehmen.

- Gehen Sie sicher, dass alle Schrauben und Muttern festgezogen sind. Verwenden Sie überall dort Schrauben-Sicherungslack, wo Metallschrauben in ein Metallgewinde greifen, besonders bei den Motorhaltern.
- Um Störungen zu vermeiden, benutzen Sie immer voll geladene Akkus in Ihrem Sender und Empfänger.
- Bevor Sie den Motor starten, sollten Sie immer die Funktion der Bremse und des Gashebels testen.
- Gehen Sie sicher, dass niemand mit der gleichen Frequenz fährt wie Sie.

### Nach Betrieb des RC Modells:

- Zuerst den Empfänger abdrehen, dann den Sender abdrehen um unkontrolliertes Durchgehen zu vermeiden.
- Seien Sie vorsichtig mit gebrauchten Akkus, sie können nach dem Gebrauch heiß sein.
- Ersetzen Sie Akkus/Batterien die beschädigt sind oder schadhafte Kabel aufweisen, sie können Kurzschlüsse oder Feuer verursachen.
- Halten Sie Ihr Fahrzeug sauber und entfernen Sie Schmutz und Schmierfett, damit erhöhen Sie die Lebensdauer Ihres Modells.

## PRECAUTIONS



Afin d'éviter toutes blessures corporelles et/ou dommages environnants, veuillez procéder en toute responsabilité comme indiqué ci-dessous

### Choisir le lieu adéquat pour faire rouler votre modèle.

- Ne jamais rouler dans les rues ou sur les routes ouvertes au public. Ceci peut provoquer de graves accidents.
- Ne jamais rouler près de personnes ou d'animaux.
- Pour éviter les blessures, ne pas rouler dans des espaces confinés.
- Ne jamais rouler où le bruit peut déranger, comme aux abords des hôpitaux ou des quartiers résidentiels.
- Ne jamais rouler à l'intérieur: les gaz d'échappement sont nocifs.

### Controler votre modèle avant chaque utilisation.

- Vérifier que les vis et les écrous sont bien serrés. Il est très fortement conseillé d'utiliser du frein filet pour bloquer les vis qui sont en contact avec du métal et tout particulièrement les vis du moteur.
- Toujours utiliser des batteries bien chargées pour l'émission et la réception.
- Toujours vérifier les freins et la commande des gaz avant de démarrer.
- Vérifier qu'aucune autre personne n'utilise votre fréquence radio.

### Après l'Opération De Votre Modèle de R/C

- Le virage du récepteur premier, alors virage de l'émetteur, ceci empêchera des fugitifs.
- Faire attention en contrôlant des piles, ils auront chaud après avoir couru.
- Remplacer n'importe quelles piles qui ont été cabossées ou a éraillé des fils, les court-circuits peuvent causer le feu.
- Etre sûr de garder votre modèle de R/C nettoie et libère de terre et la graisse supplémentaires, ceci augmentera la vie.



## Equipment needed / Benötigtes Zubehör / Equipement nécessaire

### Radio Gear / Fernsteueranlage / Equipement Radio

#### Radio control system

• You will need a 2-Channel radio system with one servo, receiver, an electronic speed control with an ON/OFF switch.

#### Fernsteueranlage

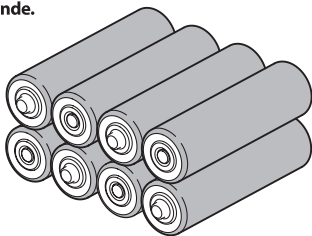
• Sie werden ein 2-Kanal Radio System mit einem Servo, Empfänger, eine elektronische Geschwindigkeitssteuerung mit einem Netzschalter brauchen.

#### Ensemble radiocommande

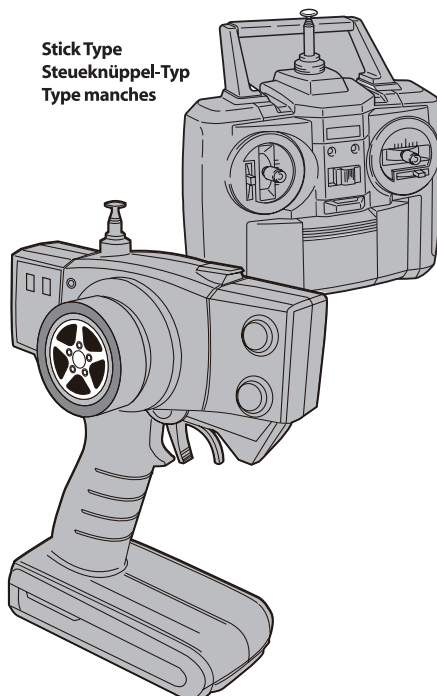
• Vous aurez besoin d'un système de radio de 2 Chaînes avec un servo, le récepteur, un contrôleur de vitesse électronique avec un interrupteur (on-off).

- 8AA Alkaline Dry Batteries.
- 8 St. AA Trockenbatterien.
- 8 piles type R6 pour votre radio commande.

8x

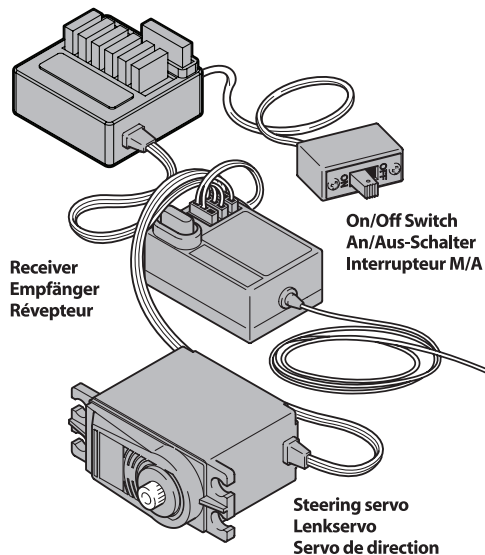


Stick Type  
Steueknüppel-Typ  
Type manches



Wheel & Trigger Type  
Pistolen-Griff Typ  
Type Volant et gachette

Electronics Speed Control with Dual Motor Capabilities  
Electronics Speed Control  
Elektrischer Fahrtenregler  
Contrôleur de Vitesse électronique



Receiver  
Empfänger  
Récepteur

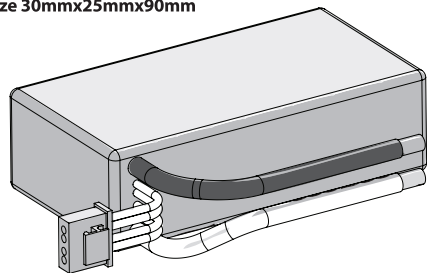
On/Off Switch  
An/Aus-Schalter  
Interrupteur M/A

Steering servo  
Lenkservo  
Servo de direction

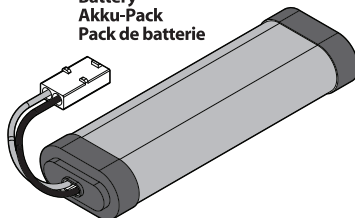
### Battery / Akku / Batterie

#### Battery / Akku / Batterie

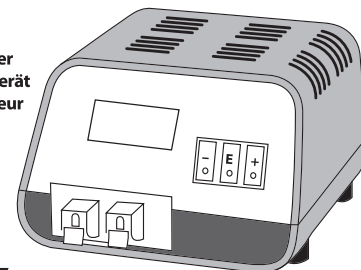
Battery :  
Maximum size 30mmx25mmx90mm



Battery  
Akku-Pack  
Pack de batterie

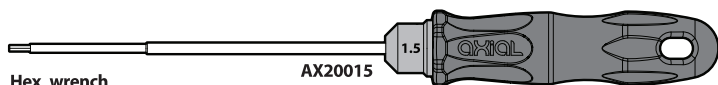


Charger  
Ladegerät  
Chargeur



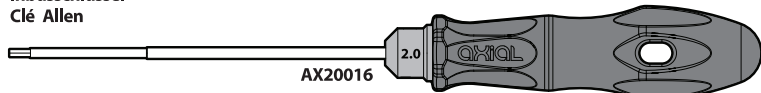
visit [www.maxamps.com](http://www.maxamps.com) for a complete selection of batteries and chargers specifically for the AX10 Scorpion.

### Tools Recommended / Benötigte Werkzeuge / Outillage

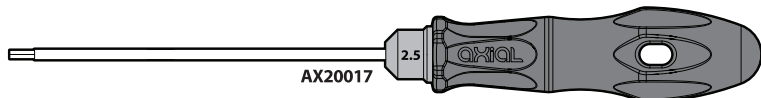


Hex wrench  
Inbusschlüssel  
Clé Allen

AX20015

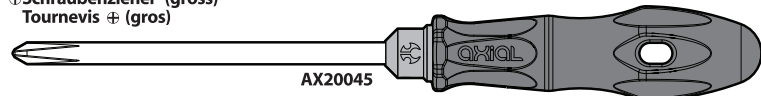


AX20016

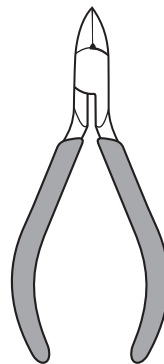


AX20017

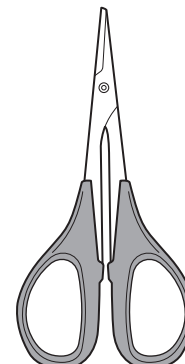
- ⊕Screwdriver (large)
- ⊕Schraubenzieher (gross)
- Tournevis ⊕ (gros)



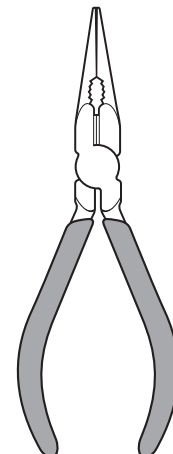
AX20045



Side cutter  
Seitenschneider  
Pincès coupantes

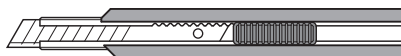


Curved scissors  
Schere  
Ciseaux



Long nose pliers  
Flachzange  
Pincès à bès longs

Modeling knife  
Modellermesser  
Couteau de modéliste



Parts Reference / Übersicht aller Teile / Référence des pièces



**AX30146**  
Shock Shaft 3x50mm **x4**



**AX30162**  
Pin 1.5x8mm **x2**



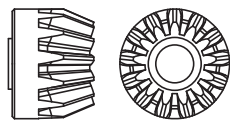
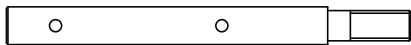
**AXA30163**  
Pin 2x10mm **x6**



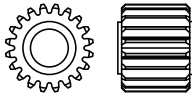
**AX30166**  
Pin 1.5x11mm **x4**



**AX30190**  
Shaft 5x18 **x1**



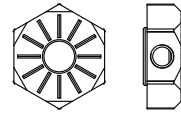
**AX30393**  
13T Bevel Gear **x2**



**AX30394**  
20T Drive Gear **x1**



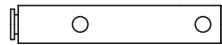
**AX30413**  
Spring 8.5x12 **x1**



**AX30427**  
12mm Aluminum Hub **x4**



**AX30198**  
Drive gear Shaft 5x53.5 **x1**



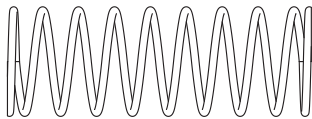
**AX30408**  
Input Shaft 5x29mm **x2**



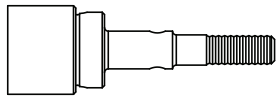
**AX30463**  
Universal Joint Axle Pin holder **x4**



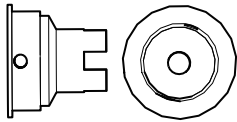
**AX30200**  
Spring 12.5x20mm **x4**



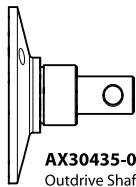
**AX30207**  
Spring 12.5x40mm **x4**



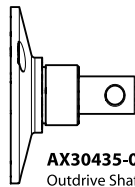
**AX30366**  
Axle 5x35mm **x2**



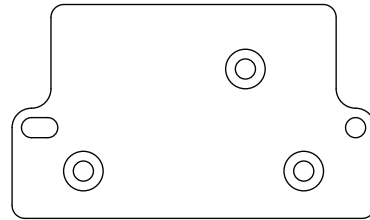
**AX30410**  
Inner Slipper Plate **x1**



**AX30435-001**  
Outdrive Shaft **x1**



**AX30435-003**  
Outdrive Shaft **x1**



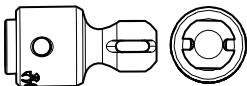
**AX30485**  
AX10 Scorpion Servo Plate **x1**



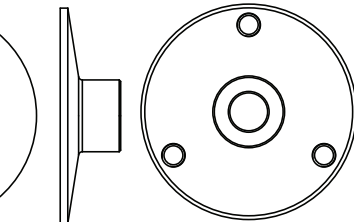
**AX30499**  
5x6.9x4.8 **x1**



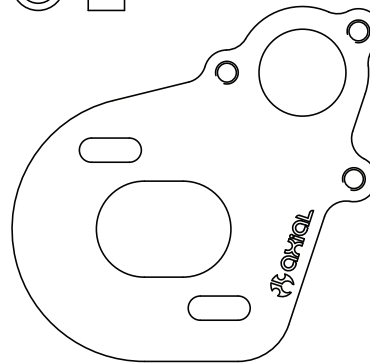
**AX30784**  
Drive shaft Coupler **x4**



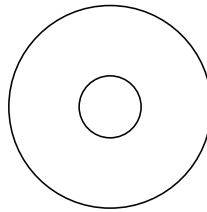
**AX30785**  
Drive shaft Output **x4**



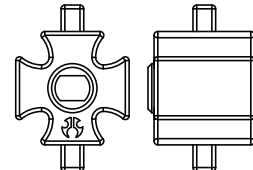
**AX30411**  
Outer Slipper Plate **x1**



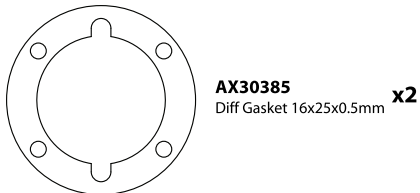
**AX30491**  
AX10 Scorpion Motor Plate **x1**



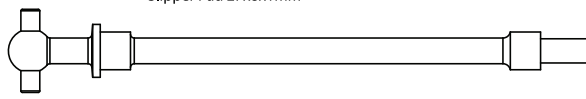
**AX30412**  
Slipper Pad 27x8x1mm **x1**



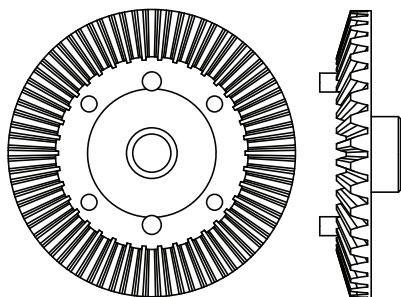
**AX30500**  
Heavy Duty Locker **x2**



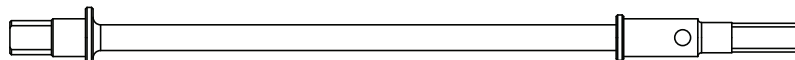
**AX30385**  
Diff Gasket 16x25x0.5mm **x2**



**AX30420**  
Solid Axle Dogbone 6x74mm **x2**



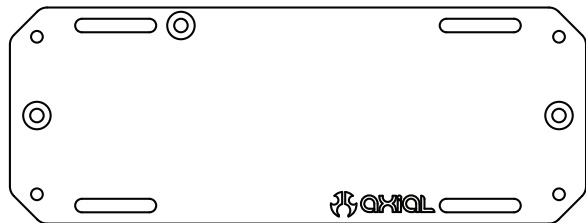
**AX30392**  
38T Bevel Gear **x2**



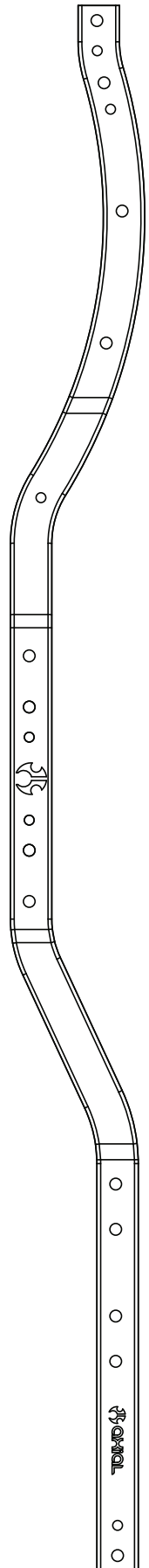
**AX30421**  
Solid Axle Dogbone 6x104.5mm **x2**



**AX30450**  
Flange Pipe 3x4.5x5.5 **x4**



**AX30483**  
AX10 Scorpion Battery Tray **x1**

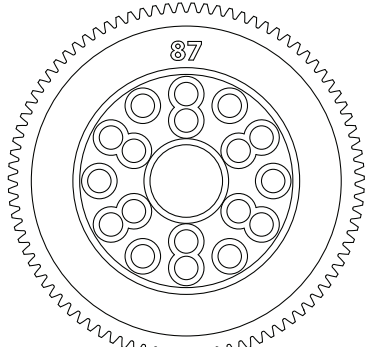
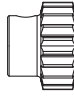


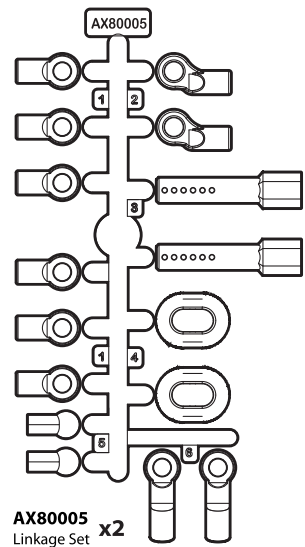
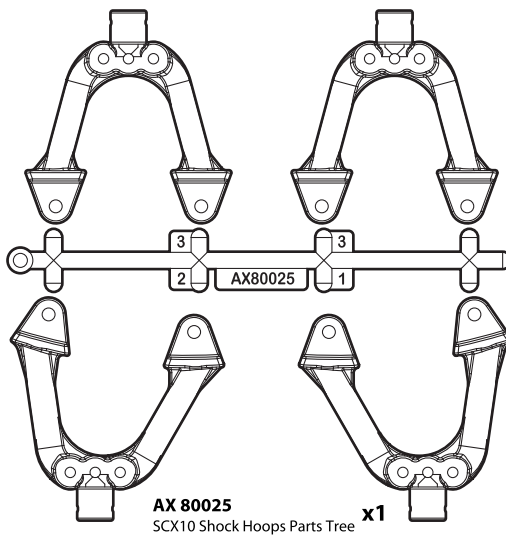
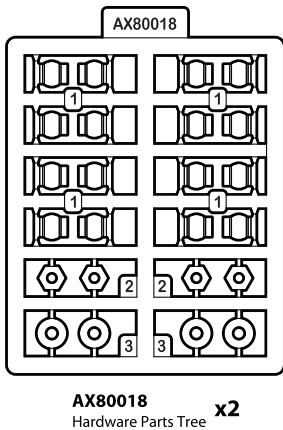
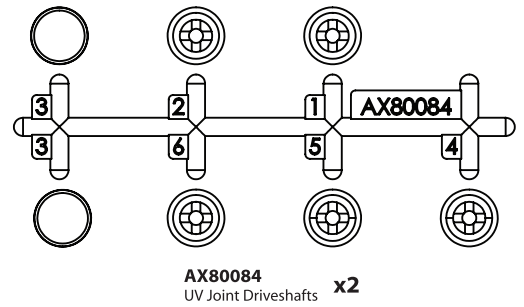
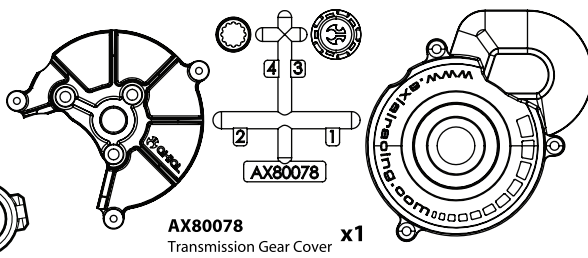
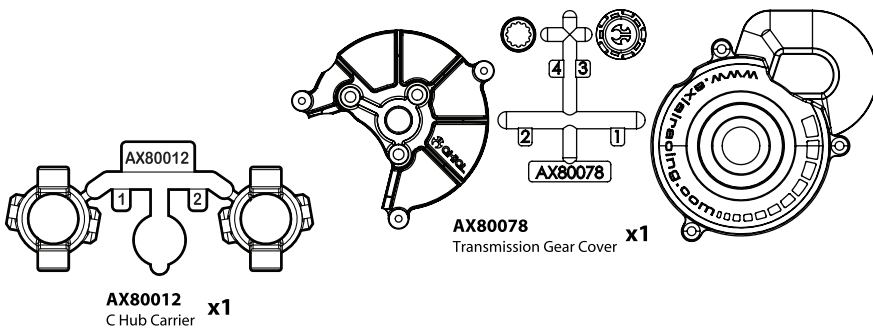
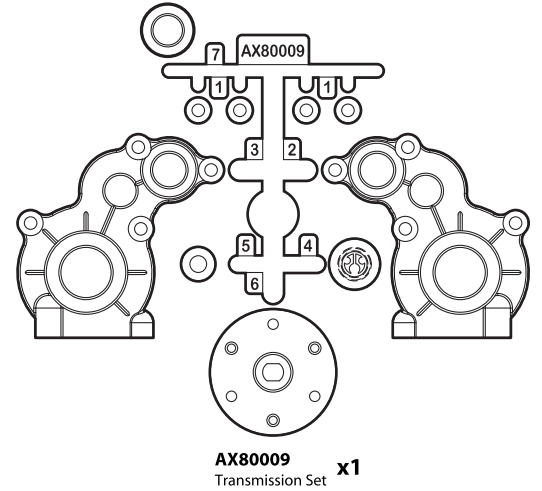
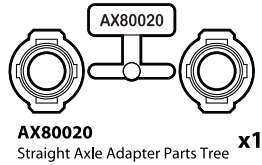
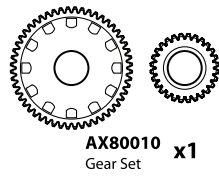
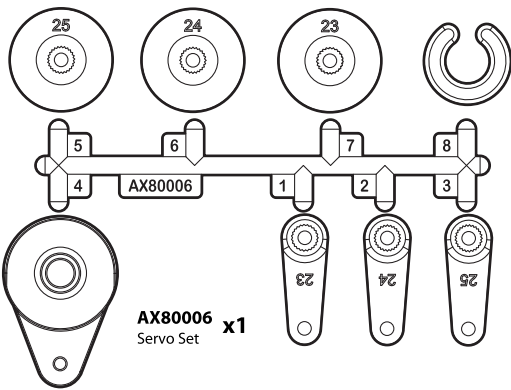
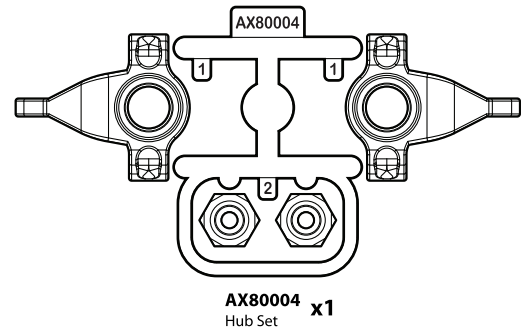
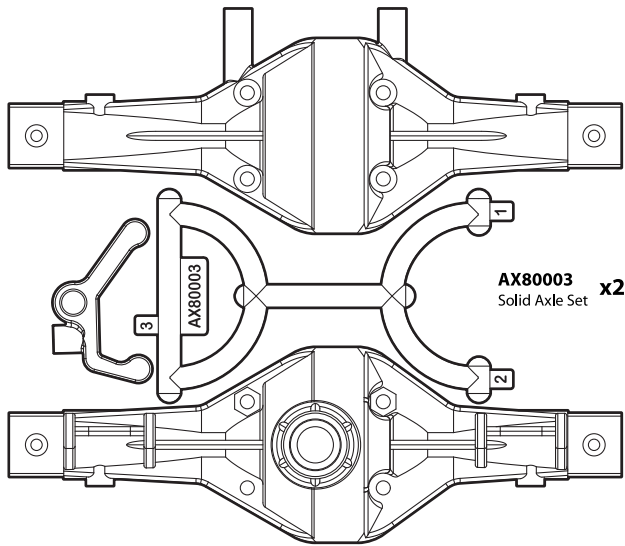
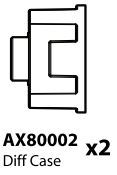
**AX30502**  
SCX10 Chassis Rail **x2**



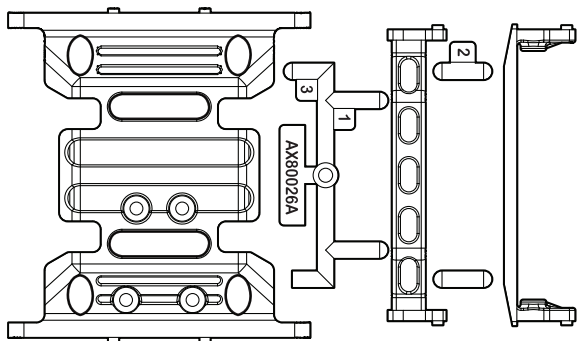
**AX30516**  
 6x106mm **x1**
**AX30524**  
 Threaded Aluminum Pipe 6x91mm **x4**

**AX30517**  
 6x33mm **x1**

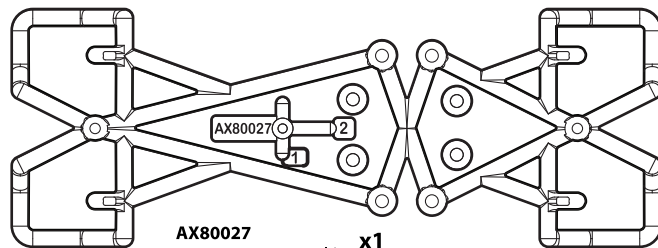
**AX30578**  
 Pinion 48DP 20T **x1**

**AX30672**  
 Spur 48DP 87T **x1**
**AXA013**  
 M2x6mm **x13**
**AXA015**  
 M2x10mm **x32**
**AXA083**  
 M3x6mm **x5**
**AXA085**  
 M3x10mm **x4**
**AXA087**  
 M3x16mm **x8**
**AXA088**  
 M3x20mm **x1**
**AXA089**  
 M3x25mm **x7**
**AXA091**  
 M3x30mm **x1**
**AXA113**  
 M3x6mm **x1**
**AXA117**  
 M3x15mm Hex Socket Button Head **x2**
**AXA119**  
 M3x20mm Hex Socket Button Head **x4**
**AXA120**  
 M3x25mm Hex Socket Button Head **x1**
**AXA180**  
 M3x3mm Set Screw **x5**
**AXA186**  
 3x16mm Set Screw **x12**
**AXA433**  
 M3x6mm **x18**
**AXA434**  
 M3x8mm **x2**
**AXA435**  
 M3x10mm Tapping Button Head **x4**
**AXA436**  
 M3x12mm **x14**
**AXA438**  
 M3x18mm Tapping Button Head **x4**
**AXA440**  
 M3x25mm **x2**
**AXA463**  
 M3x6mm Hex Socket Tapping Flat Head **x5**
**AXA464**  
 M3x8mm Tapping Flat Head **x13**
**AXA465**  
 M3x10mm **x4**
**AXA466**  
 M3x12mm Tapping Flat Head **x6**
**AXA0414**  
 M2.6x10mm **x3**
**AXA144**  
 M3x8mm Hex Socket Flat Head **x4**
**AXA471**  
 M3x30mm Hex Socket Flat Head **x3**
**AXA1280**  
 M3x10mm **x4**
**AXA175**  
 Screw Shaft M3x2.5x11mm **x4**
**AXA176**  
 M3x2.5x13mm Screw Shaft **x8**
**AXA1040**  
 M3 Thin Hex Nut **x4**
**AX1045**  
 M4 Nylon Lock Nut **x5**
**AXA1052**  
 M3 Nylon Locking Hex Nut **x2**
**AXA1053**  
 M3 Nylon Locking Hex Nut **x11**
**AXA1059**  
 6mm Body Clip **x8**
**AXA1070**  
 Washer 3x6x0.5mm **x5**
**AXA1071**  
 Washer 4x8x0.5mm **x1**
**AXA1091**  
 Washer 5x10x0.5mm **x1**
**AXA1163**  
 O-Ring 7x1mm **x4**
**AXA1179**  
 O-Ring 2.5x1.5mm **x8**
**AXA1218**  
 Bearing 5x10x4mm **x4**
**AXA1221**  
 Bearing 5x11x4mm **x8**
**AXA1225**  
 Bearing 8x16x5mm **x2**
**AXA1230**  
 Bearing 10x15x4mm **x6**
**AXA1414**  
 6x2x3mm **x1**
**AXA1358**  
 Shock Damper 3x7x8 **x4**
**AXA1392**  
 E2 e-clip **x8**
**AXA1393**  
 E2.5 e-clip **x2**



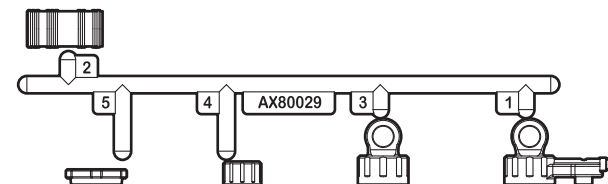




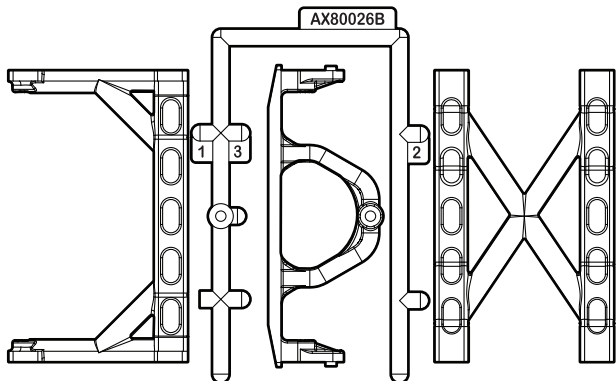
**AX80026A**  
SCX10 Frame Brace Set **x1**



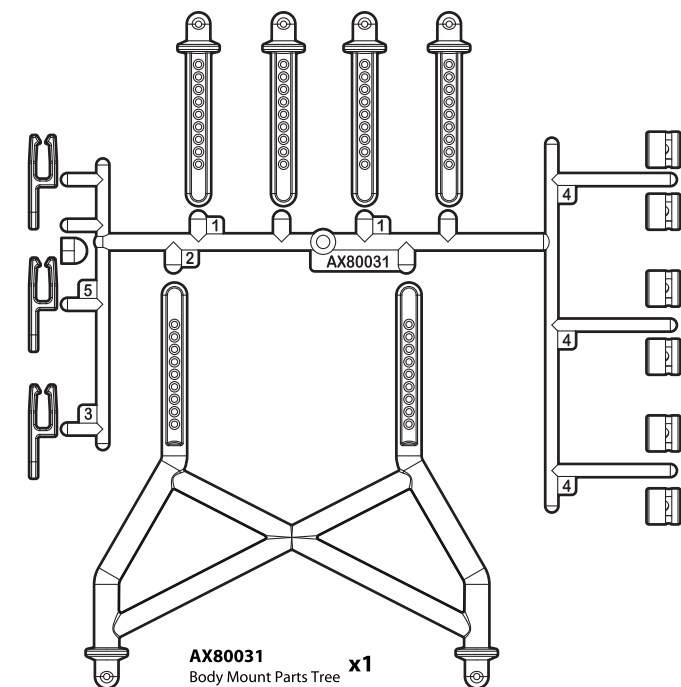
**AX80027**  
SCX10 Battery Tray Holder **x1**



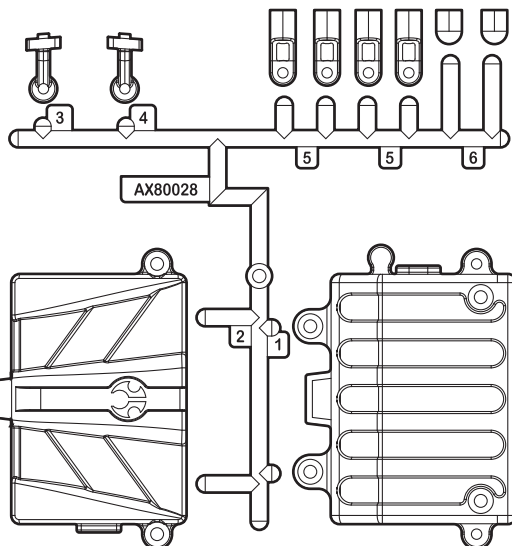
**AX80029**  
Shock Cap Parts Tree **x4**



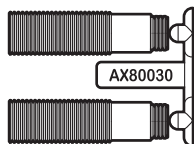
**AX80026B**  
SCX10 Frame Brace Set **x1**



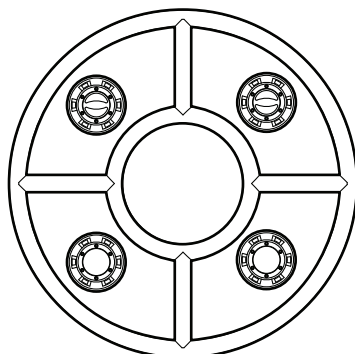
**AX80031**  
Body Mount Parts Tree **x1**



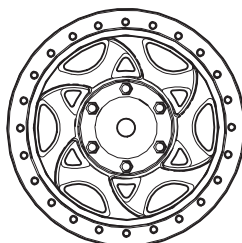
**AX80028**  
SCX10 Radio Box Parts Tree **x1**



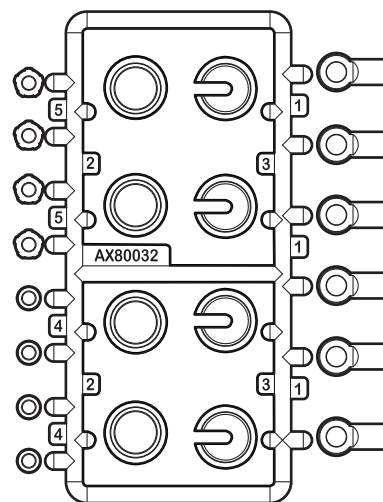
**AX80030**  
61-90 Shock Body Set **x2**



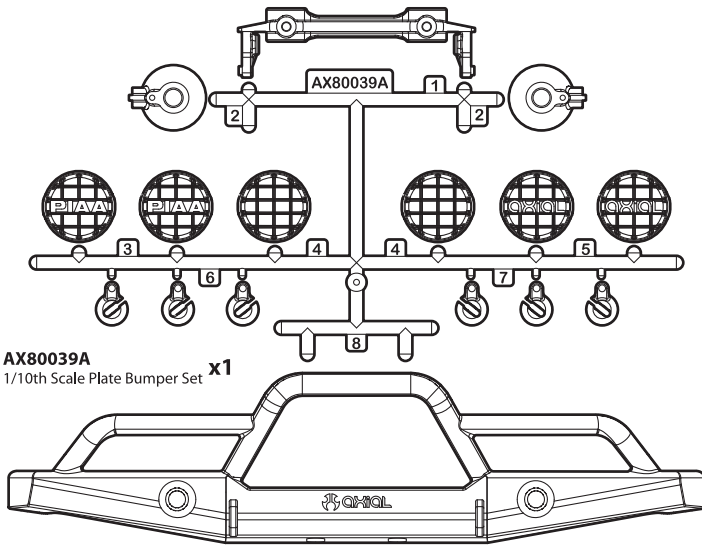
**AX8087**  
Wheel Cap **x1**



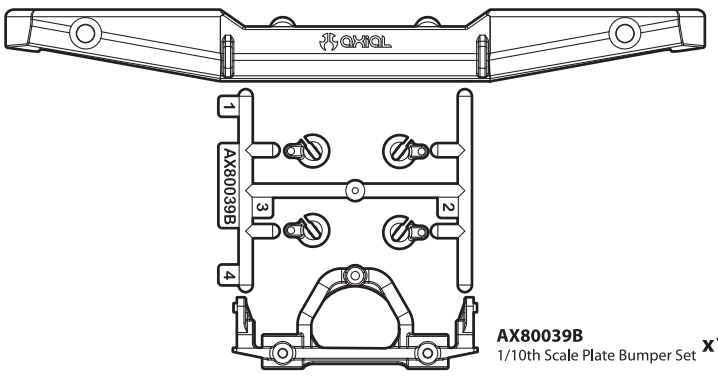
**AX8138**  
1.9 Wheel - 26mm wide (Black) **x5**



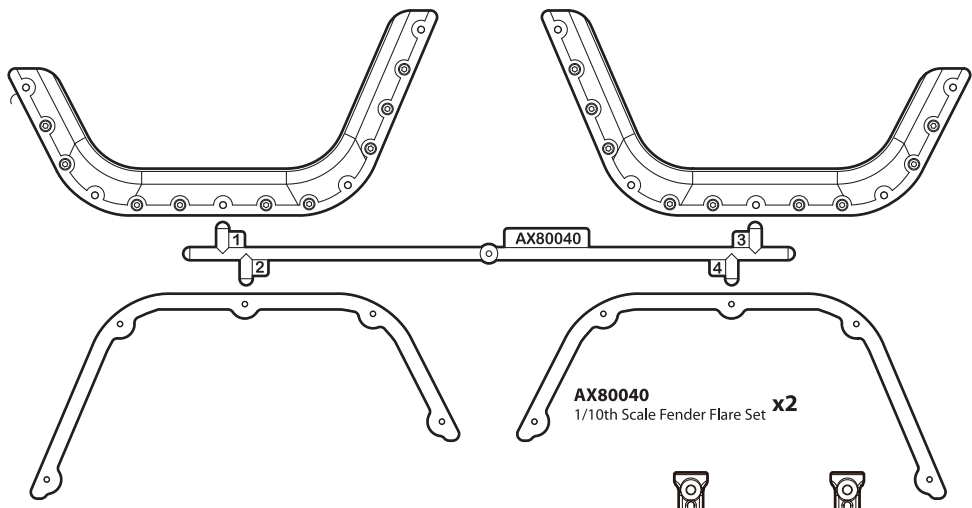
**AX80032**  
Shock Parts **x1**



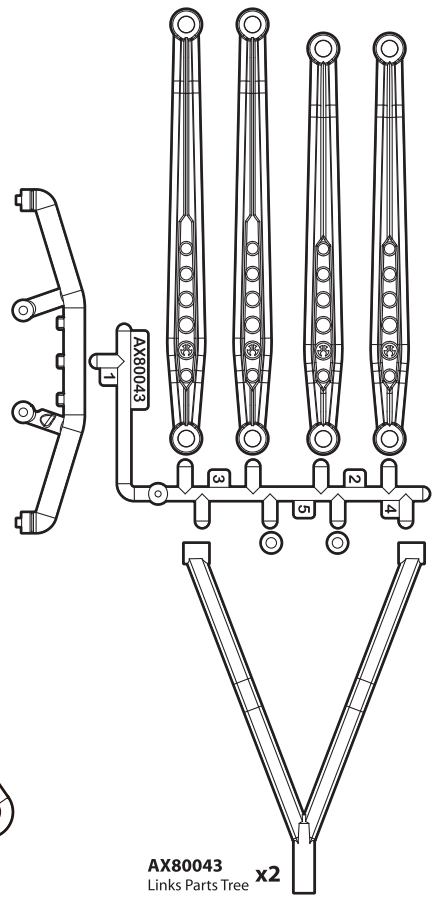
**AX80039A**  
1/10th Scale Plate Bumper Set **x1**



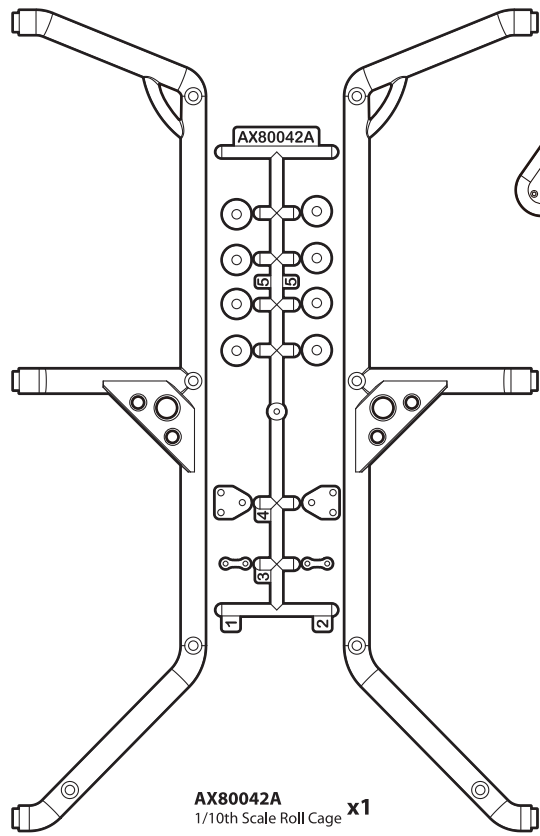
**AX80039B**  
1/10th Scale Plate Bumper Set **x1**



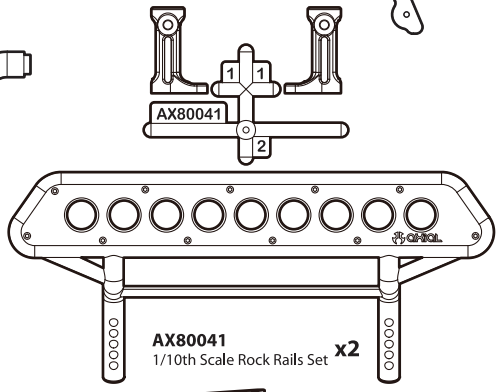
**AX80040**  
1/10th Scale Fender Flare Set **x2**



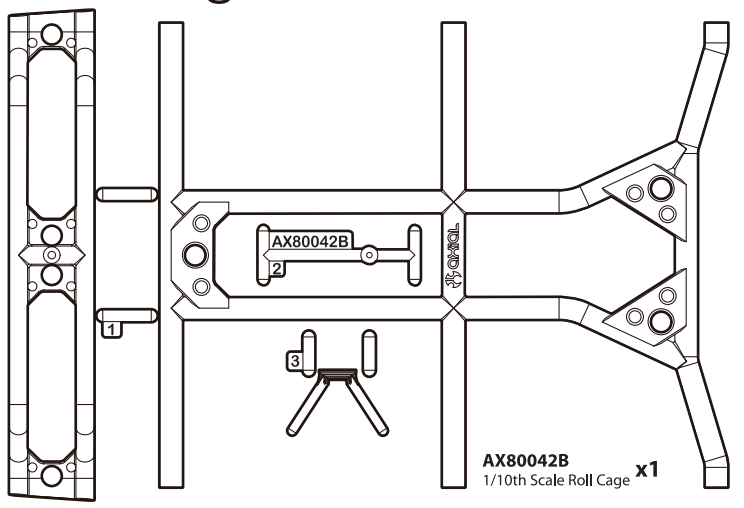
**AX80043**  
Links Parts Tree **x2**



**AX80042A**  
1/10th Scale Roll Cage **x1**



**AX80041**  
1/10th Scale Rock Rails Set **x2**



**AX80042B**  
1/10th Scale Roll Cage **x1**



AX04026: Hardline Body

Dovetailed front and rear for extra tire clearance and rounded roof line and cab forward design help aid in driving out of roll-overs; meets all U.S.R.C.C.A minimum requirements.

## XR10 OPTION PARTS

### WHEEL WEIGHT SYSTEM

AX30545: 2.2 Internal Wheel Weight Ring 57g/2oz (2pcs)



AX30546: 2.2 Internal Wheel Weight Insert 21g/0.75oz (4pcs)  
For use with AX30545.



### XR10 CARBON FIBER CHASSIS

AX30750: XR10 Carbon Fiber Chassis Set (2pcs)  
Reduce your assembled chassis weight by 25% and increase its rigidity.



AX30753: XR10 Carbon Fiber F/R Servo Mounts and Steering Arm Set

AX30752: XR10 Carbon Fiber Shock Mounts (2pcs)



### ALUMINUM AXLE COMPONENTS

AX30760: XR10 Aluminum Steering Knuckle (Black) (2pcs)

AX30762: XR10 Aluminum C-Hub Carrier (Black) (2pcs)

AX30763: XR10 Straight Axle Adapters (Black) (2pcs)



## GENUINE AXIAL OPTION PARTS



The Axial XR10 redefines rock crawling at the competition level straight out of the box. With multiple tuning options, modify your rig with ease to suit your driving style with additional genuine Axial option parts.

# XR10

 **axial**  
www.axialracing.com

# A Open Bag A

1



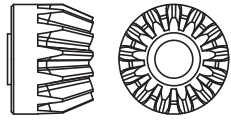
**AX30408**  
Input Shaft 5x29mm **x1**



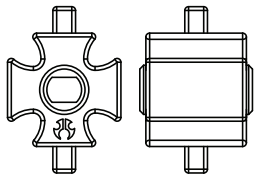
**AX30163**  
Pin 2x10mm **x1**



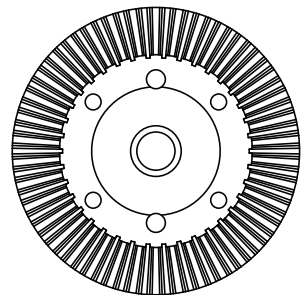
**AXA1393**  
E2.5 e-clip **x1**



**AX30393**  
13T Bevel Gear **x1**



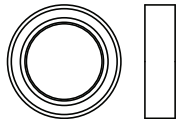
**AX30500**  
Heavy Duty Locker **x1**



**AX30392**  
38T Bevel Gear **x1**



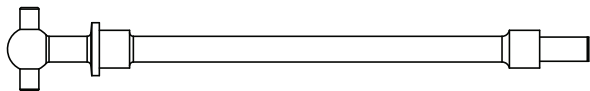
**AXA015**  
M2x10mm **x4**



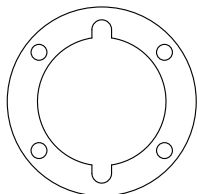
**AXA1230**  
Bearing 10x15x4mm **x2**



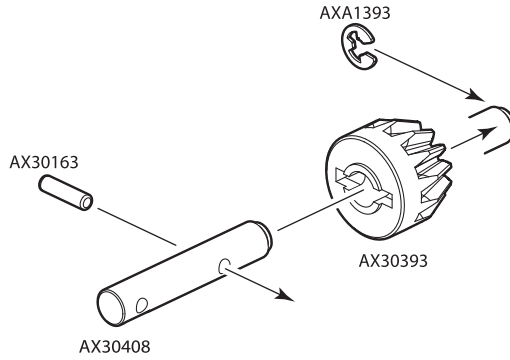
**AXA1221**  
Earing 5x11x4mm **x2**



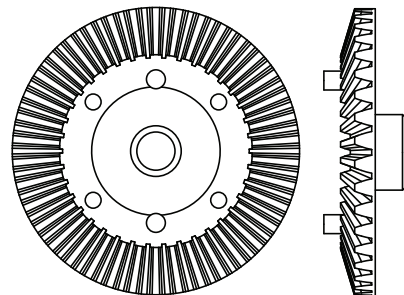
**AX30420**  
Solid Axle Dogbone 6x74mm **x2**



**AX30385**  
Diff Gasket 16x25x0.5mm **x1**



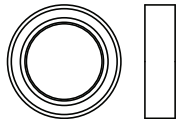
2



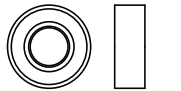
**AX30392**  
38T Bevel Gear **x1**



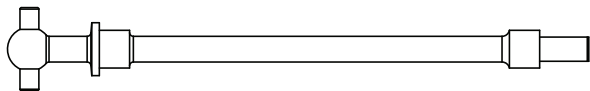
**AXA015**  
M2x10mm **x4**



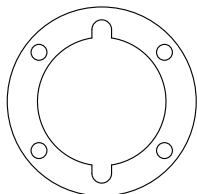
**AXA1230**  
Bearing 10x15x4mm **x2**



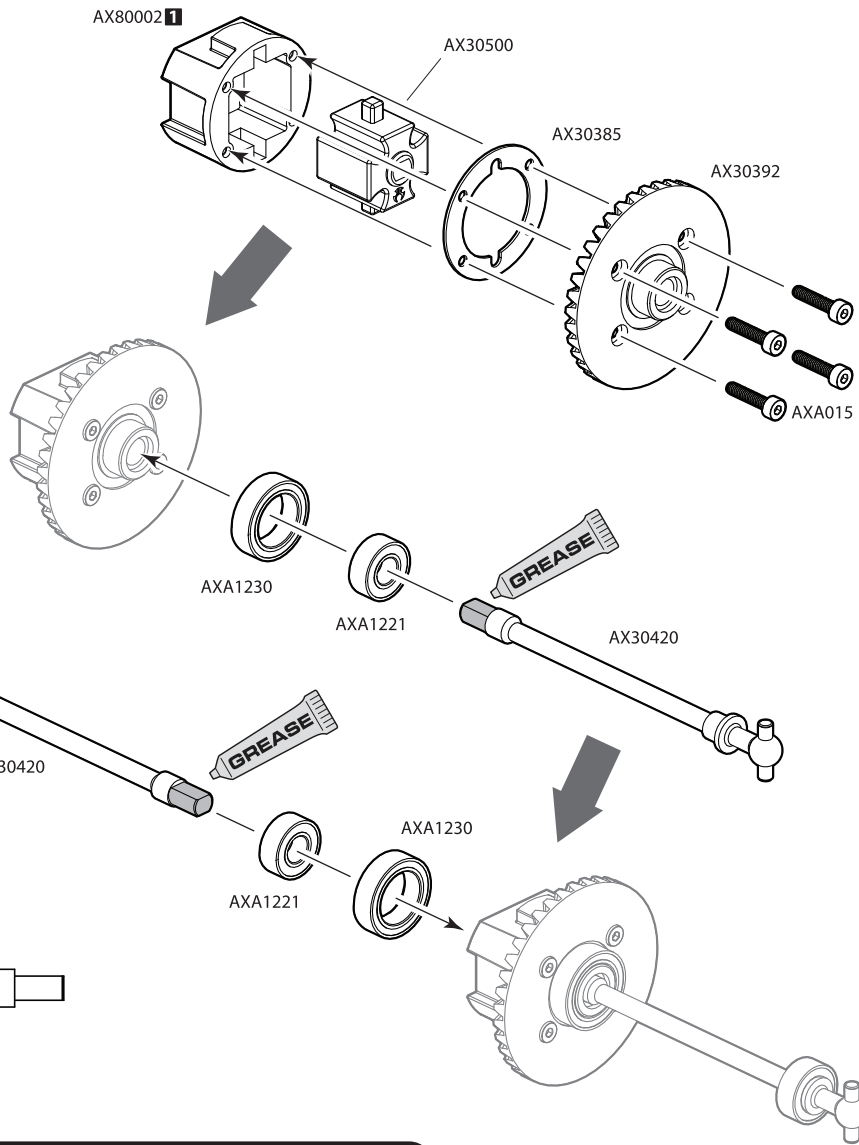
**AXA1221**  
Earing 5x11x4mm **x2**



**AX30420**  
Solid Axle Dogbone 6x74mm **x2**



**AX30385**  
Diff Gasket 16x25x0.5mm **x1**

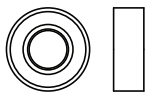


**Option Parts**

**AX30464**  
AX10 Scorpion Universal Joint



3



**AXA1221**  
Bearing 5x11x4mm **x2**

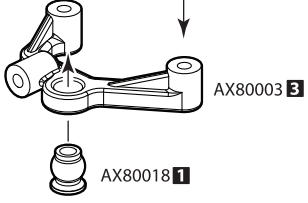
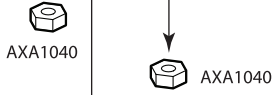
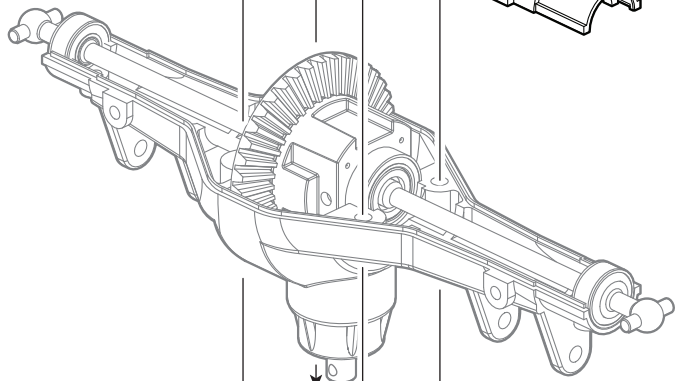
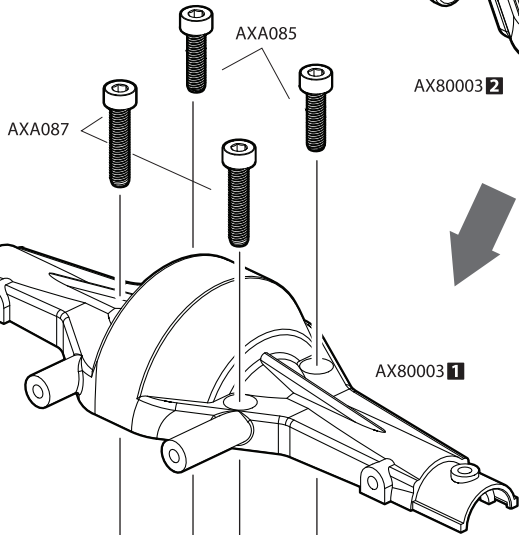
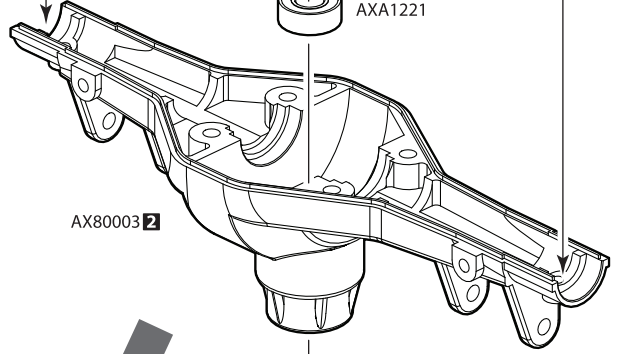
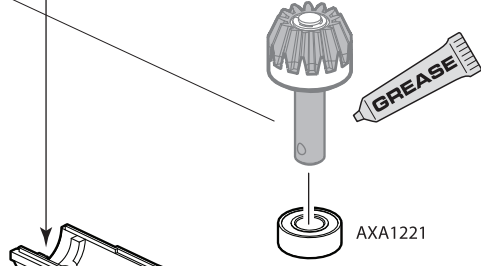
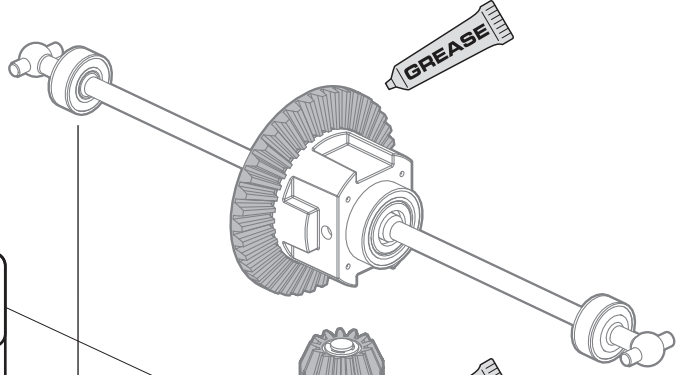
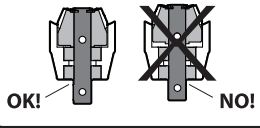
**AXA085**  
M3x10mm **x2**



**AXA087**  
M3x16mm **x2**

**AXA1040**  
M3 Thin Hex Nut **x2**

**!** If Gear mesh is tight, make sure input shaft is seated correctly.

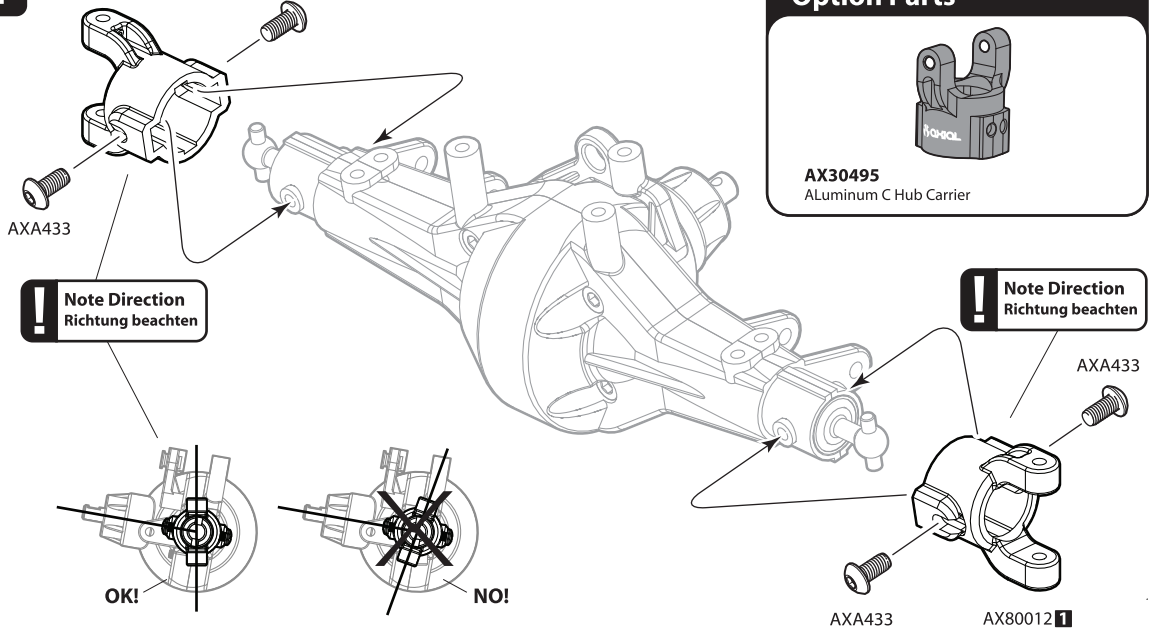




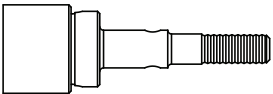
**AXA433**  
M3x6mm Tapping Button Head **x4**

**4**

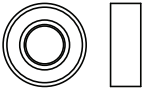
AX80012 **2** AXA433



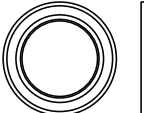
**AX30450**  
Flange Pipe 3x4.5x5.5 **x4**



**AX30366**  
Axle 5x35mm **x2**



**AXA1221**  
Bearing 5x11x4mm **x2**

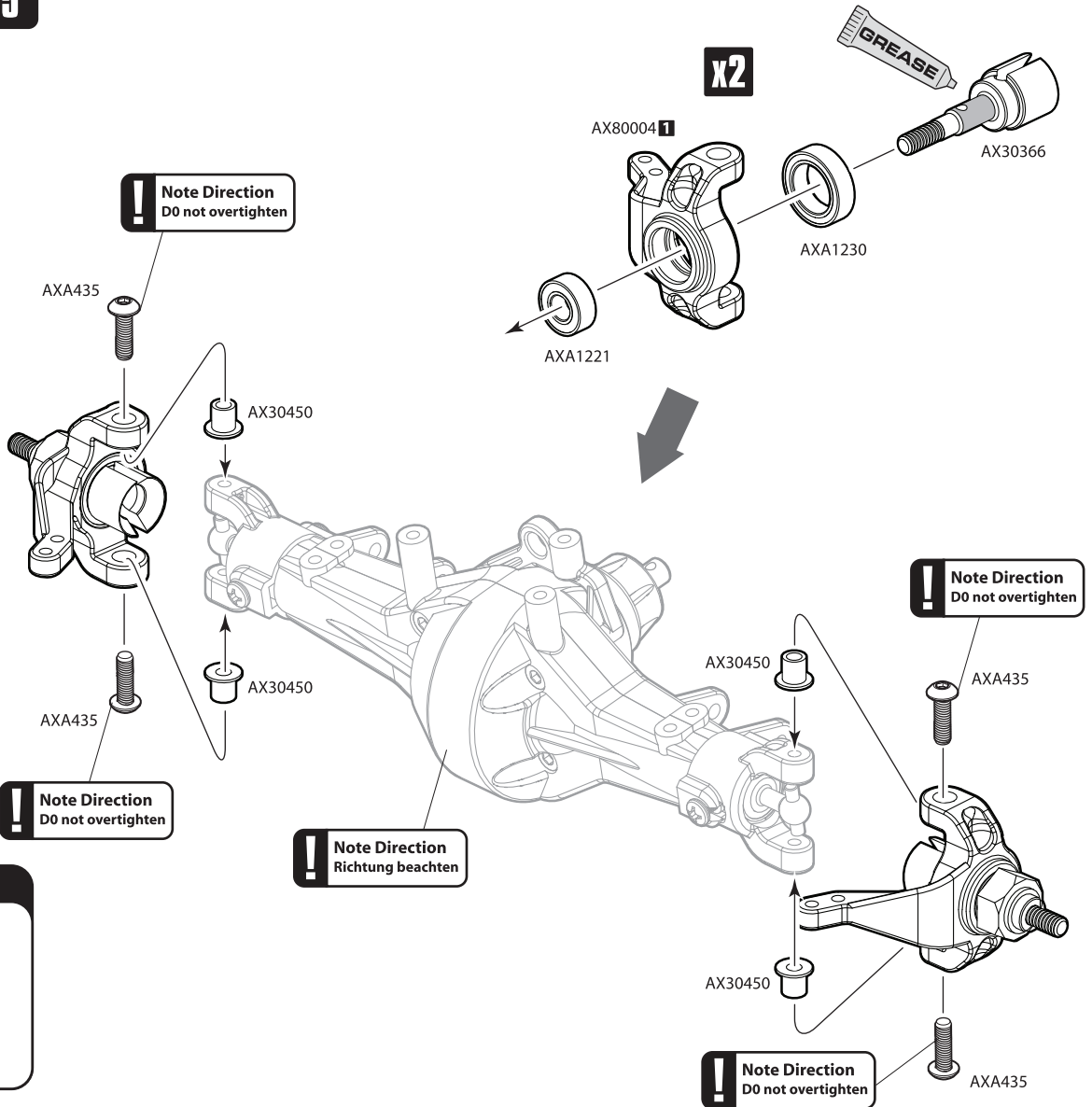


**AXA1230**  
Bearing 10x15x4mm **x2**



**AXA435**  
M3x10mm Tapping Button Head **x4**

**5**



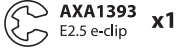




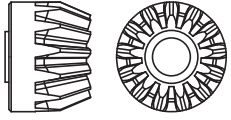
**AX30408**  
Input Shaft 5x29mm **x1**



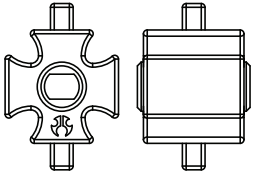
**AX30163**  
Pin 2x10mm **x1**



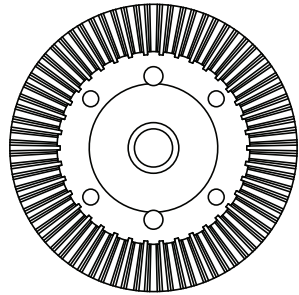
**AXA1393**  
E2.5 e-clip **x1**



**AX30393**  
13T Bevel Gear **x1**



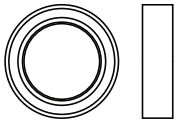
**AX30500**  
Heavy Duty Locker **x1**



**AX30392**  
38T Bevel Gear **x1**



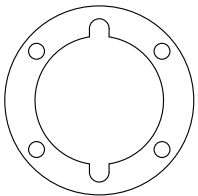
**AXA015**  
M2x10mm **x4**



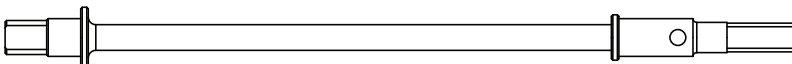
**AXA1230**  
Bearing 10x15x4mm **x2**



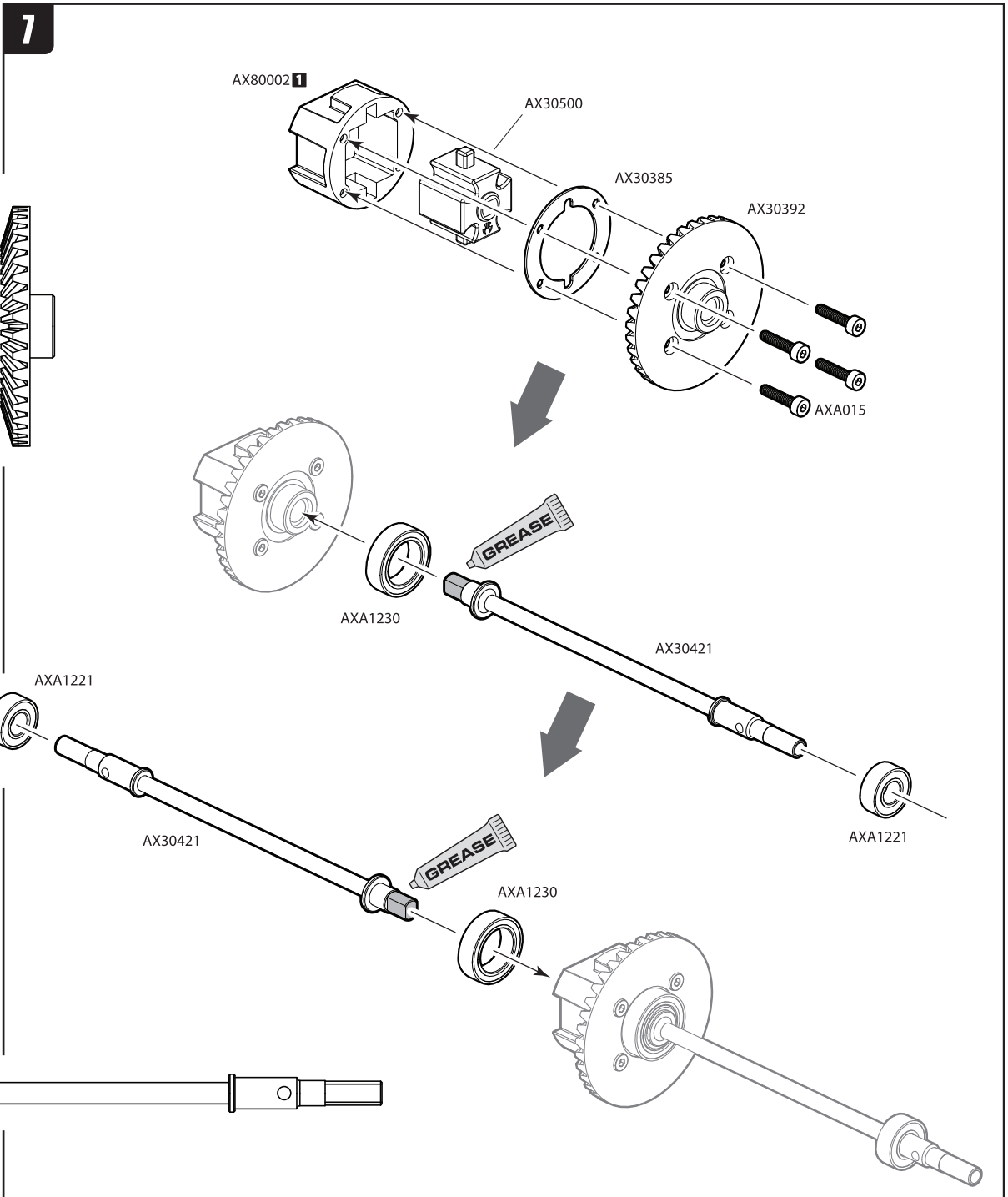
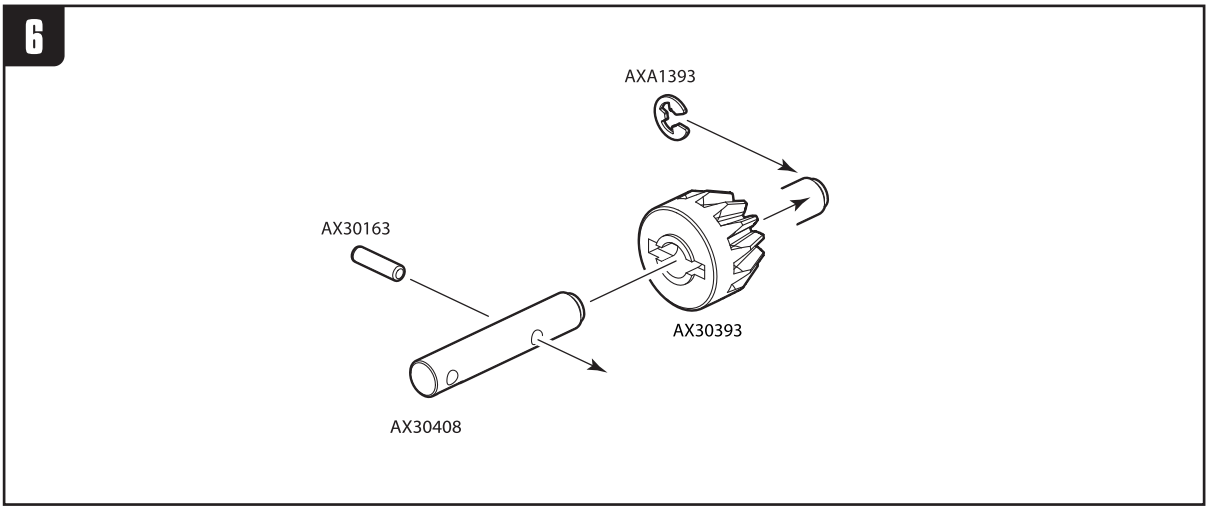
**AXA1221**  
Bearing 5x11x4mm **x2**



**AX30385**  
Diff Gasket 16x25x0.5mm **x1**



**AX30421**  
Solid Axle Dogbone 6x104.5mm **x2**





**AXA1221**  
Bearing 5x11x4mm **x2**

**AXA085**  
M3x10mm **x2**

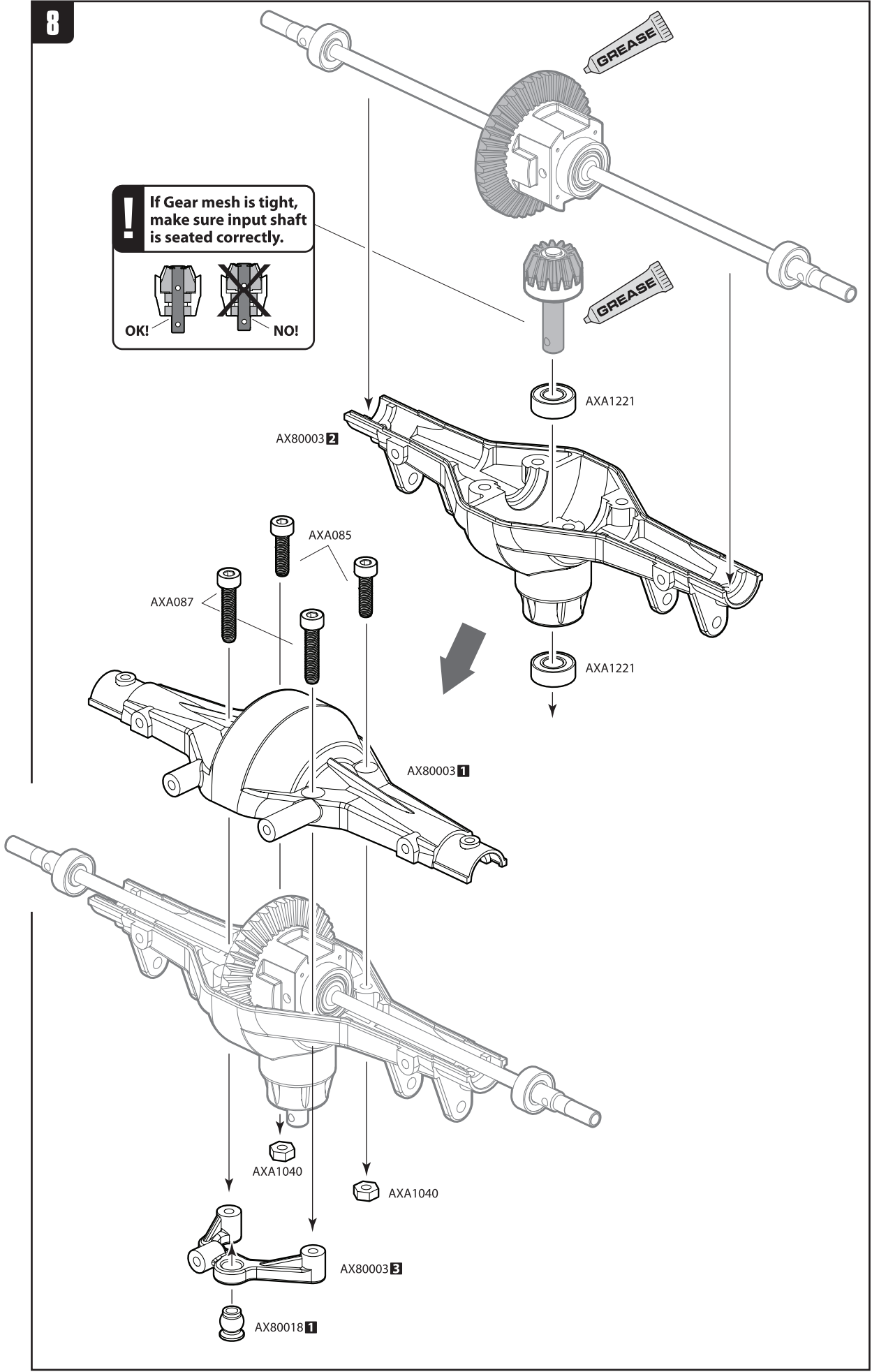


**AXA087**  
M3x16mm **x2**

**AXA1040**  
M3 Thin Hex Nut **x2**

**!** If Gear mesh is tight, make sure input shaft is seated correctly.

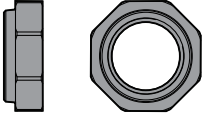
OK! NO!





**AXA433**  
M3x6mm Tapping Button Head **x4**

**Option Parts**



**AX30115**  
10mm Aluminum Preload Collar

**B Open Bag B**



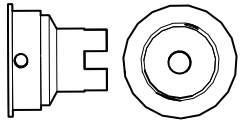
**AX30463**  
Universal joint Axle Pin holder **x4**



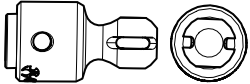
**AX30166**  
Pin 1.5x11mm **x4**



**AXA144**  
M3x8mm **x4**



**AX30784**  
Drive shaft Coupler **x4**



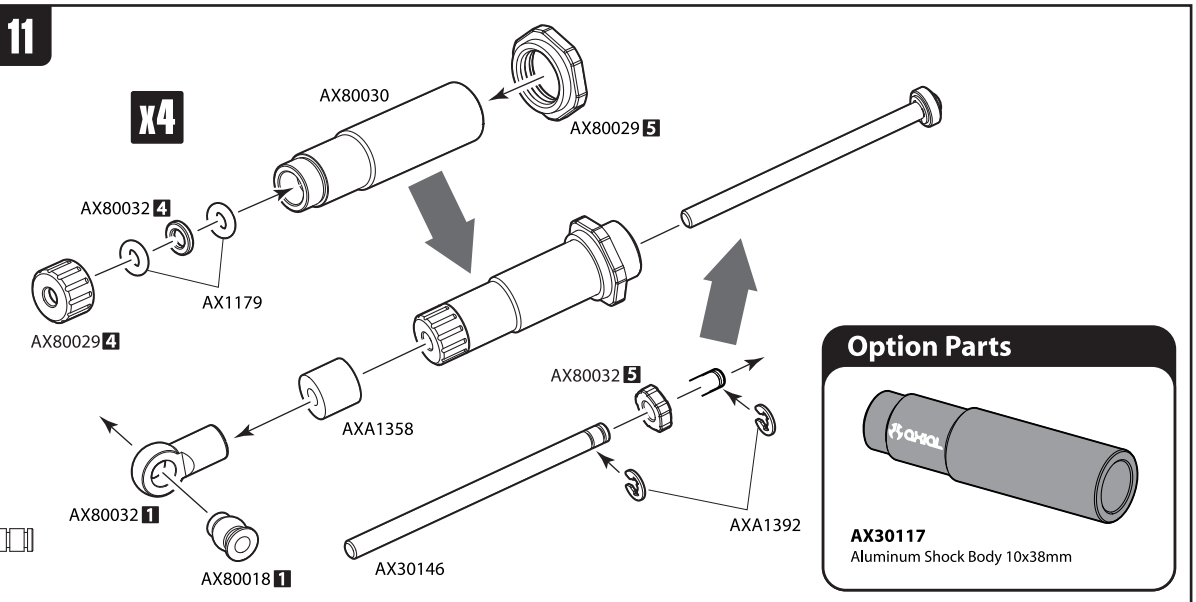
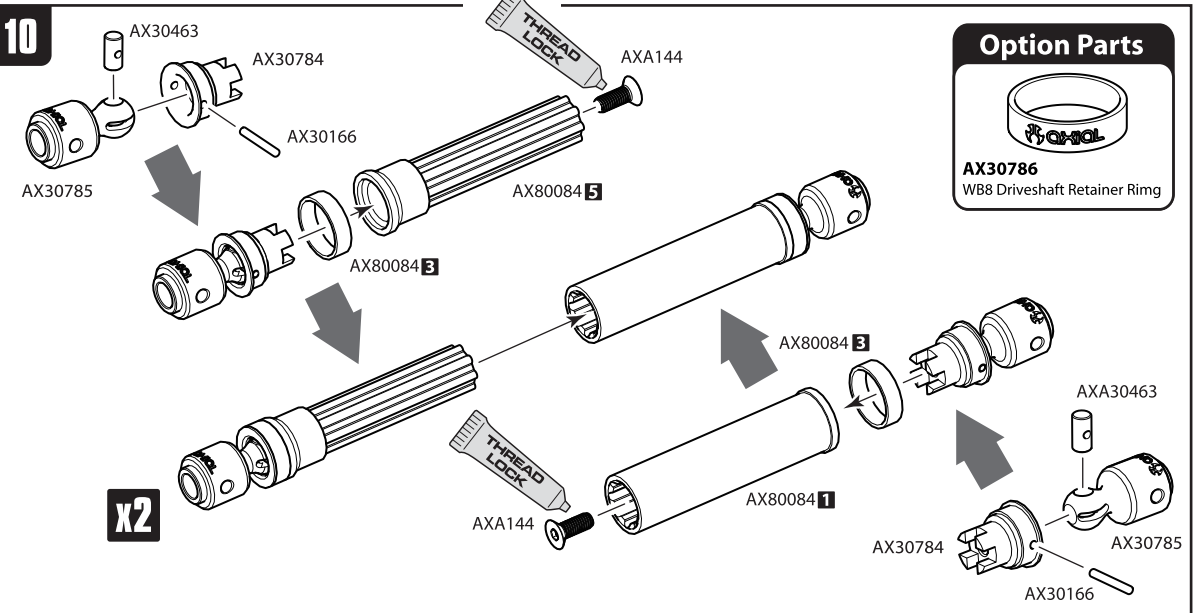
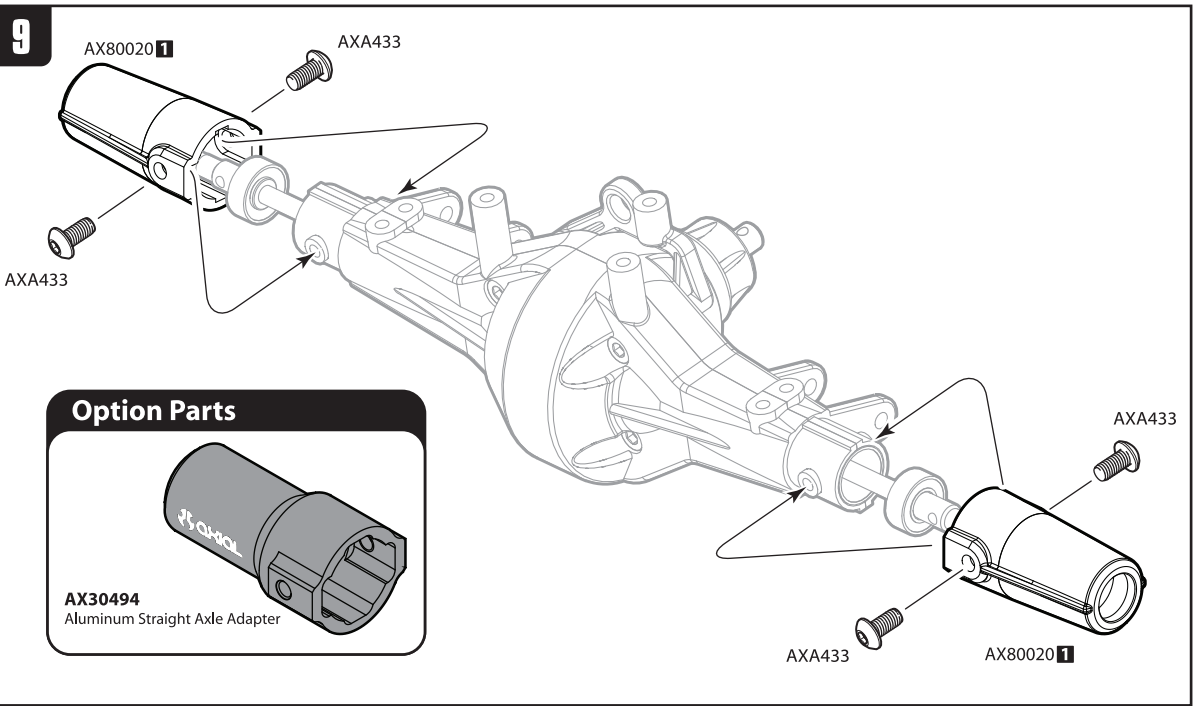
**AX30785**  
Drive shaft Output **x4**

**AXA1392** **x8**  
E2 e-clip

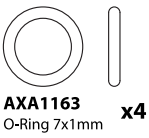
**AXA1179** **x8**  
O-Ring 2.5x1.5mm

**AXA1358** **x4**  
Shock Damper 3x7x8

**AX30146** **x4**  
Shock Shaft 3x50mm





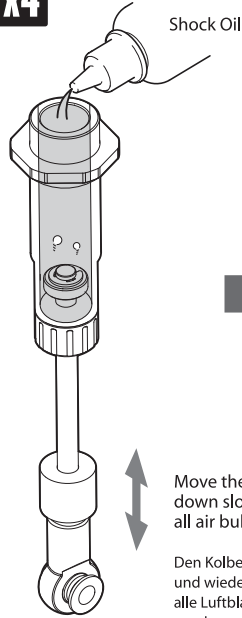


**12**

**!** Make sure O-ring is fully seated inside plastic cap.



**x4**



AX80029 **2**

AX80029 **1**

AXA1163

AXA013

Wipe off excess oil with a rag  
Überschuss mit einem Tuch entfernen.

98mm

Move the shaft up and down slowly to remove all air bubbles.

Den Kolben langsam senken und wieder anheben, damit alle Luftblasen entfernt werden.

**Option Parts**



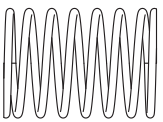
**AX30114**  
Aluminum Shock Reservoir-SCX10

**C** Open Bag C

**13**



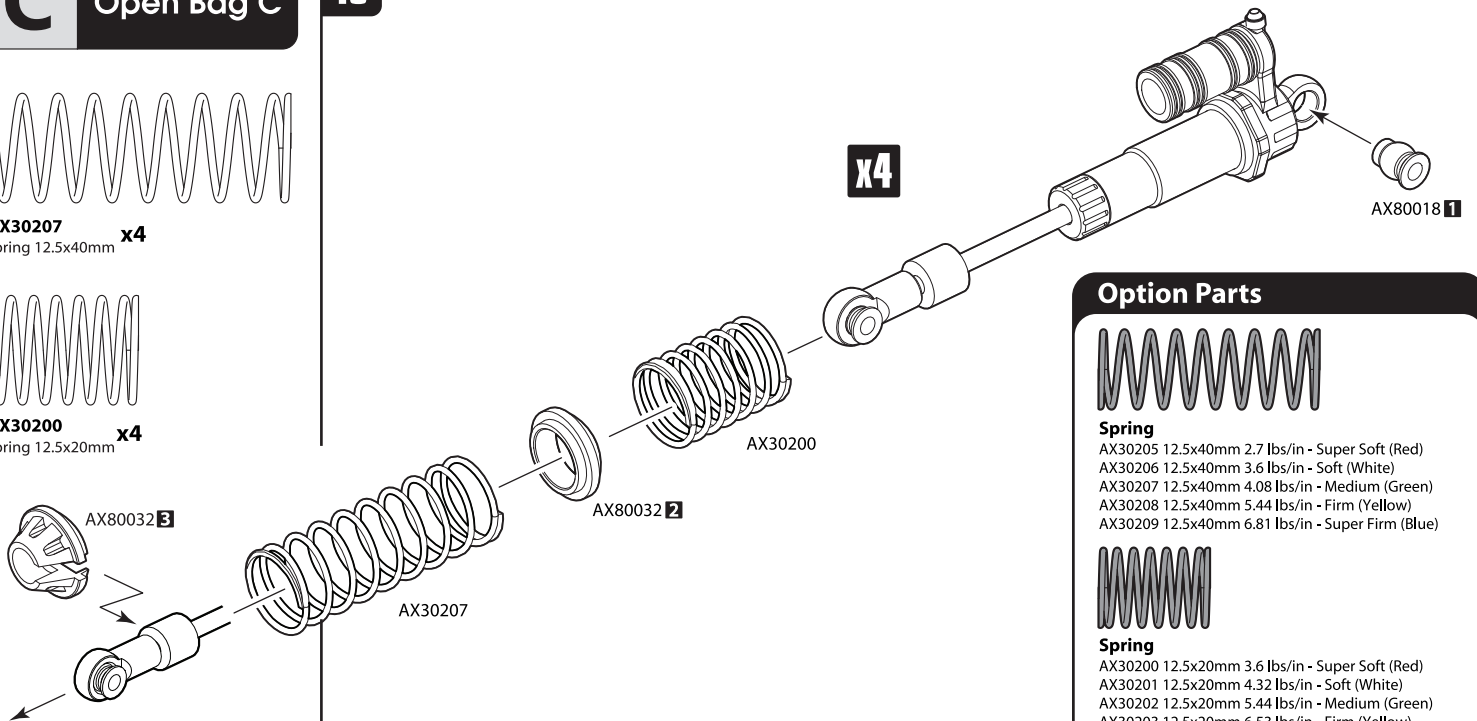
**AX30207**  
Spring 12.5x40mm **x4**



**AX30200**  
Spring 12.5x20mm **x4**

**x4**

AX80018 **1**



**Option Parts**



- Spring**
- AX30205 12.5x40mm 2.7 lbs/in - Super Soft (Red)
  - AX30206 12.5x40mm 3.6 lbs/in - Soft (White)
  - AX30207 12.5x40mm 4.08 lbs/in - Medium (Green)
  - AX30208 12.5x40mm 5.44 lbs/in - Firm (Yellow)
  - AX30209 12.5x40mm 6.81 lbs/in - Super Firm (Blue)



- Spring**
- AX30200 12.5x20mm 3.6 lbs/in - Super Soft (Red)
  - AX30201 12.5x20mm 4.32 lbs/in - Soft (White)
  - AX30202 12.5x20mm 5.44 lbs/in - Medium (Green)
  - AX30203 12.5x20mm 6.53 lbs/in - Firm (Yellow)
  - AX30204 12.5x20mm 7.95 lbs/in - Super Firm (Blue)

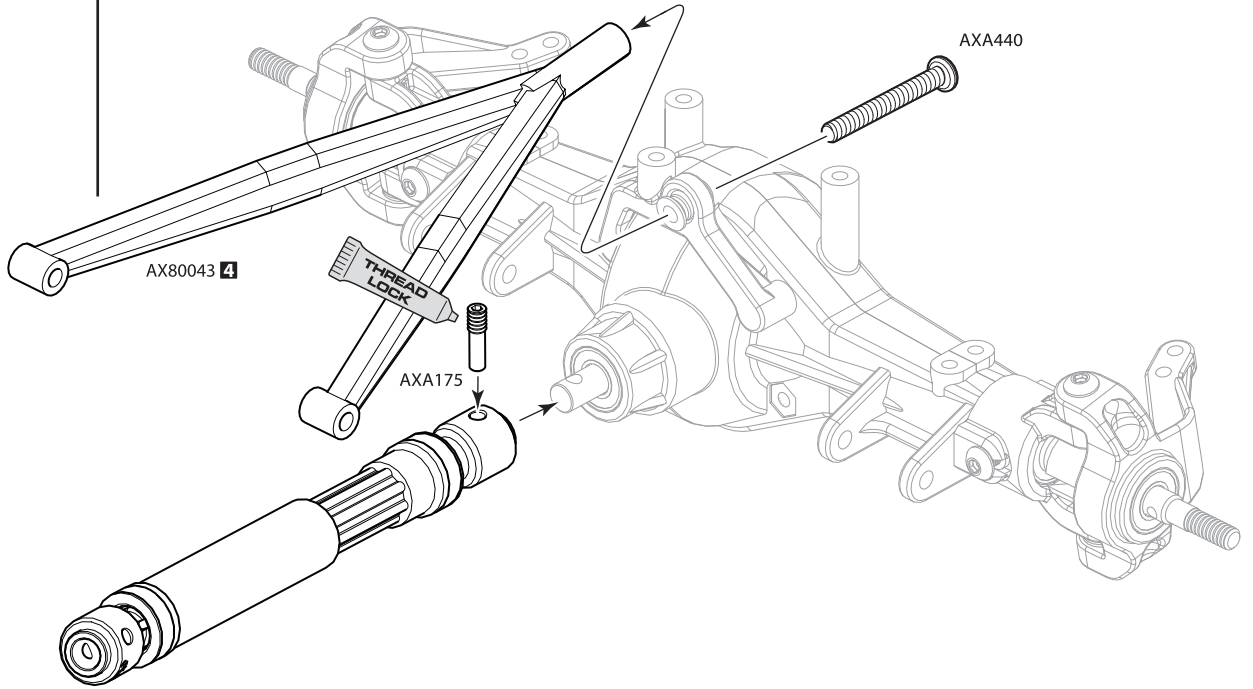


**AXA175**  
Screw Shaft M3x2.5x11mm **x1**



**AXA440**  
M3x25mm **x1**

**14**

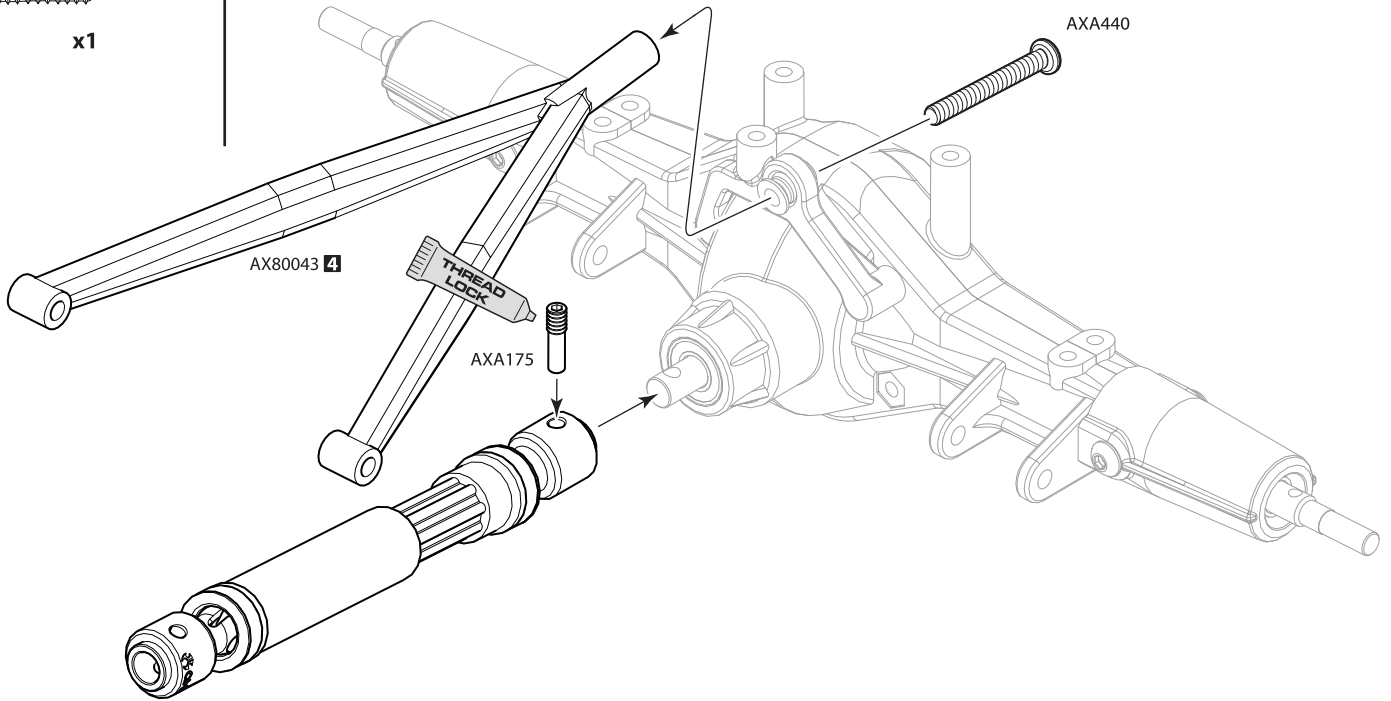


**AXA175**  
Screw Shaft M3x2.5x11mm **x1**



**AXA440**  
M3x25mm **x1**

**15**





**AXA089** x2  
M3x25mm

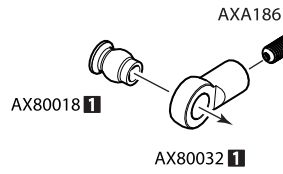


**AXA1053** x2  
M3 Nylon Locking Hex Nut

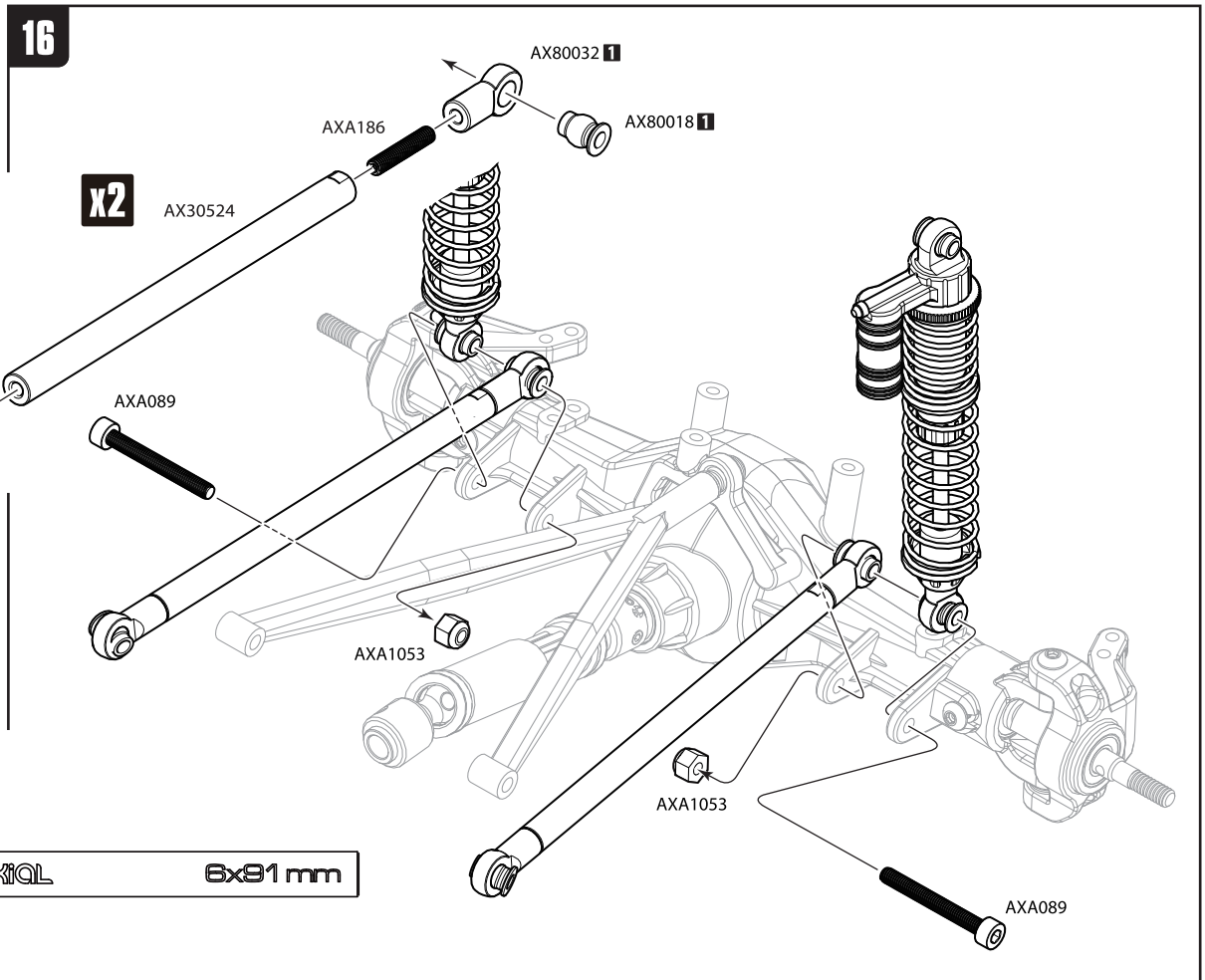


**AXA186** x4  
3x16mm Set Screw

16



**AX30524** x2  
Threaded Aluminum Pipe 6x91mm



**AXA089** x2  
M3x25mm

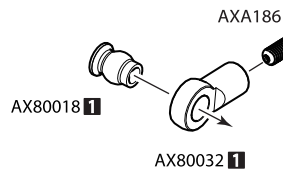


**AXA1053** x2  
M3 Nylon Locking Hex Nut

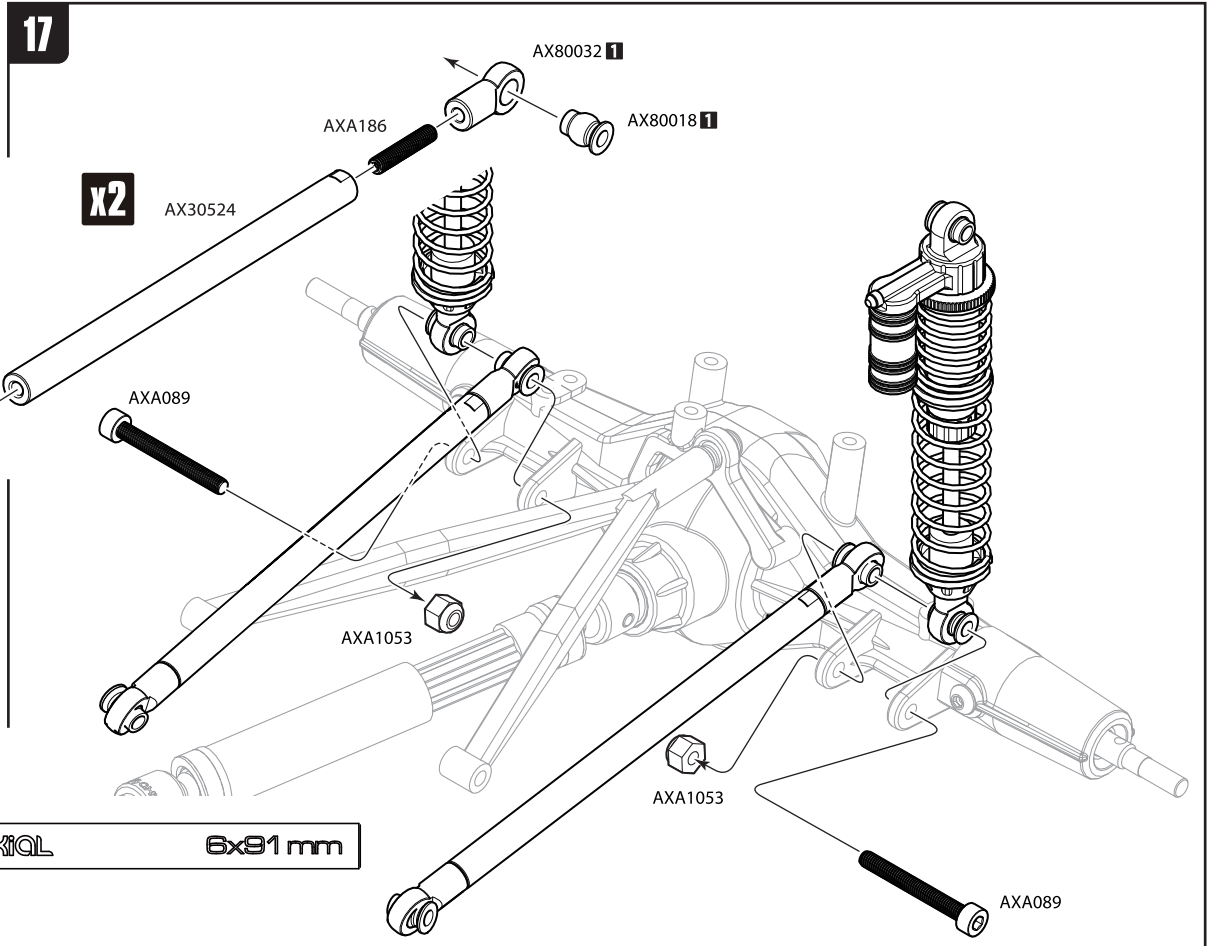


**AXA186** x4  
3x16mm Set Screw

17



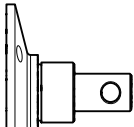
**AX30524** x2  
Threaded Aluminum Pipe 6x91mm



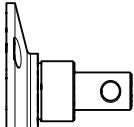


**D** Open Bag D

**18**



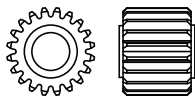
**AX30435-001** x1  
Outdrive Shaft



**AX30435-003** x1  
Outdrive Shaft



**AXA013** x3  
M2x6mm

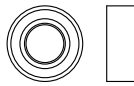


**AX30394** x1  
20T Drive Gear

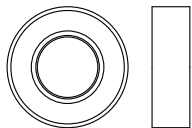
**AX30162** x1  
Pin 1.5x8mm



**AX30198** x1  
Drive gear Shaft 5x53.5



**AXA1218** x4  
Bearing 5x10x4mm



**AXA1225** x2  
Bearing 8x16x5mm

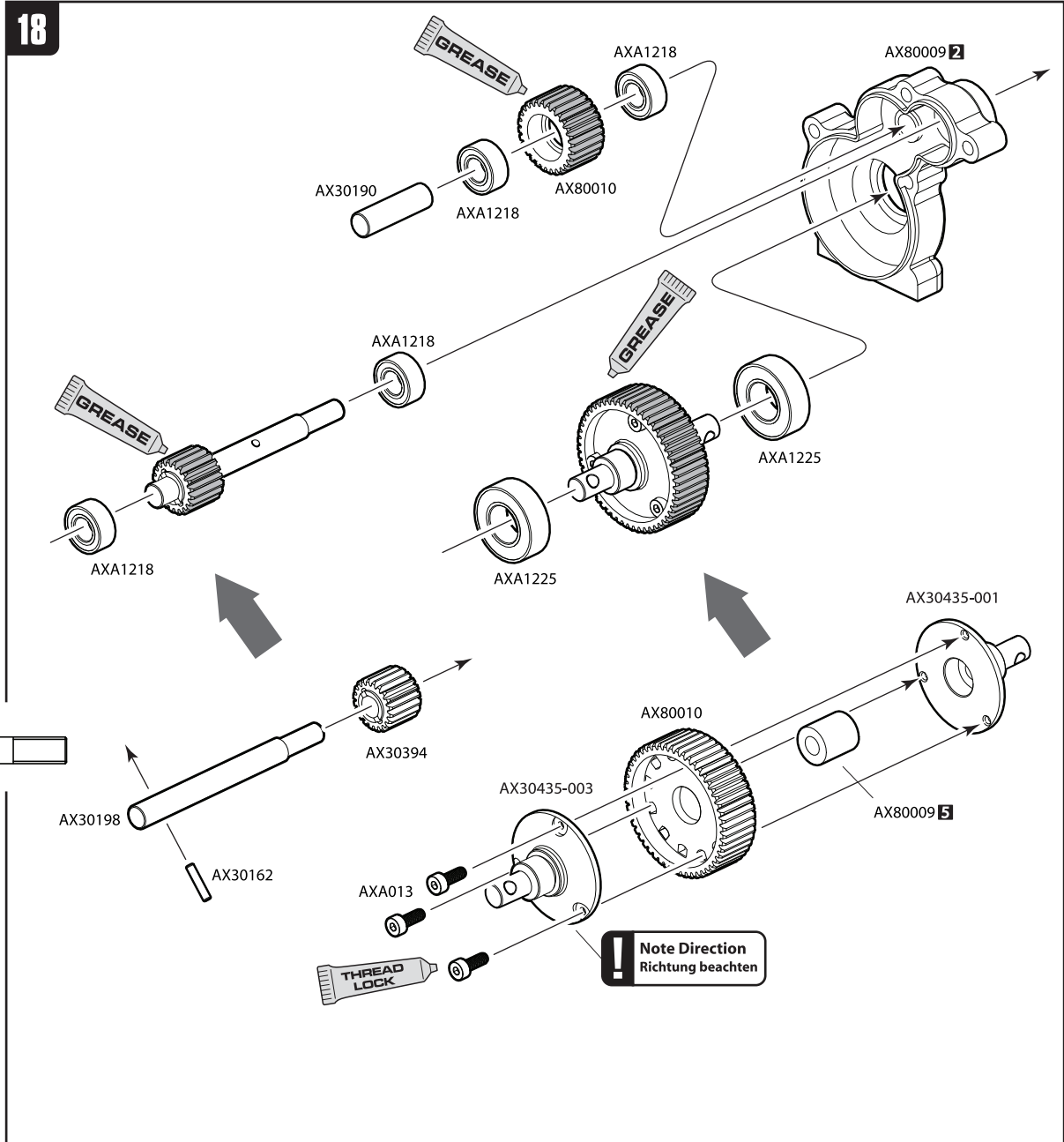
**AX30190** x1  
Shaft 5x18



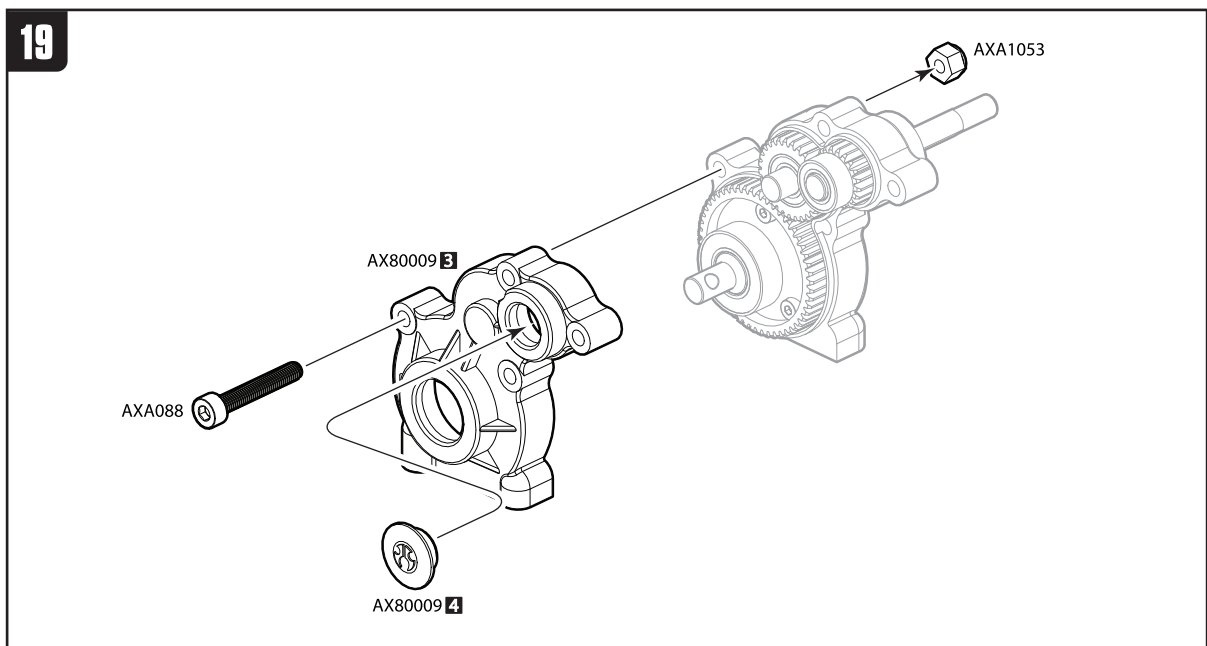
**AXA088** x1  
M3x20mm



**AXA1053** x1  
M3 Nylon Locking Hex Nut

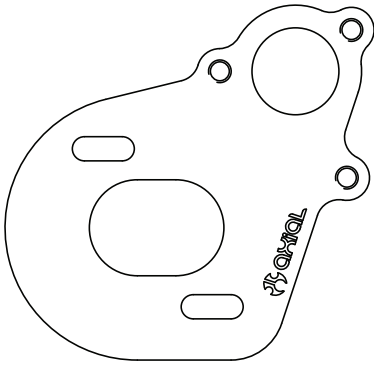


**19**

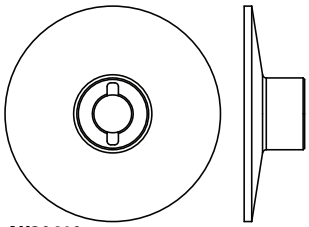




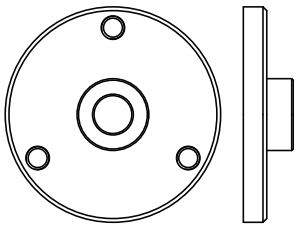
**AXA089**  
M3x25mm **x3**



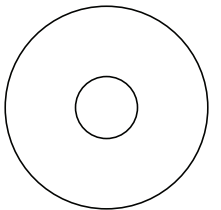
**AX30491**  
AX10 Scorpion Motor Plate **x1**



**AX30410**  
Inner Slipper Plate **x1**



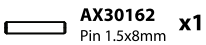
**AX30411**  
Outer Slipper Plate **x1**



**AX30412**  
Slipper Pad 27x8x1mm **x1**



**AX30413**  
Spring 8.5x12 **x1**



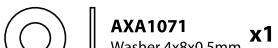
**AX30162**  
Pin 1.5x8mm **x1**



**AX1045**  
M4 Nylon Lock Nut **x1**



**AXA1070**  
Washer 3x6x0.5 **x3**



**AXA1071**  
Washer 4x8x0.5mm **x1**

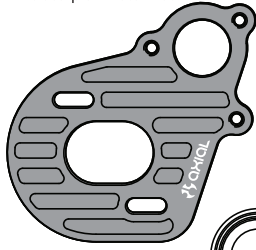


**AXA1091**  
Washer 5x10x0.5mm **x1**

**20**

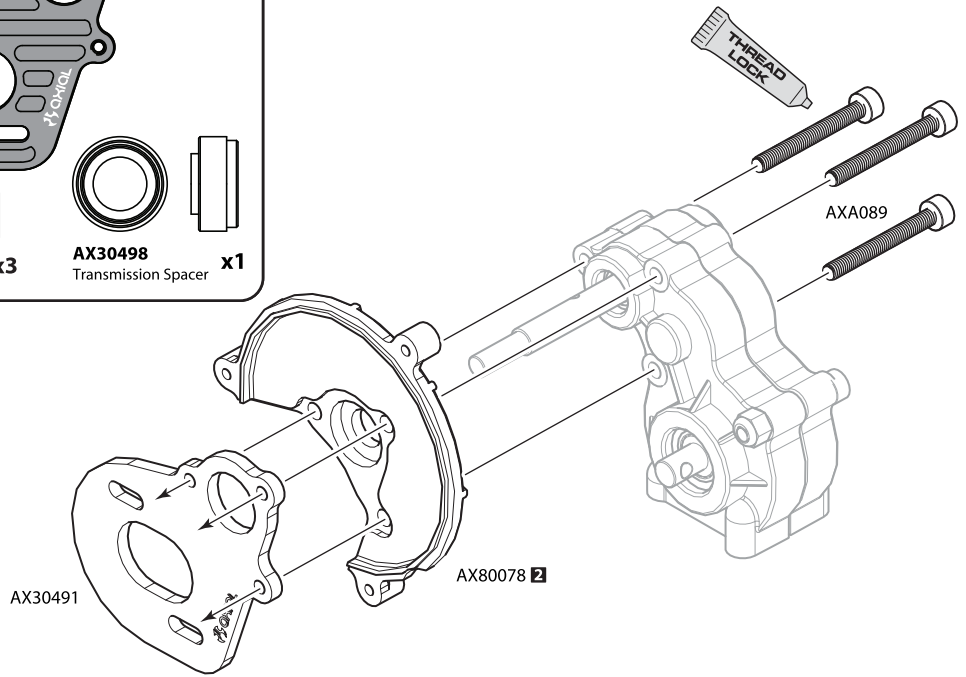
**Option Parts**

**AX30482**  
AX10 Scorpion Motor Plate

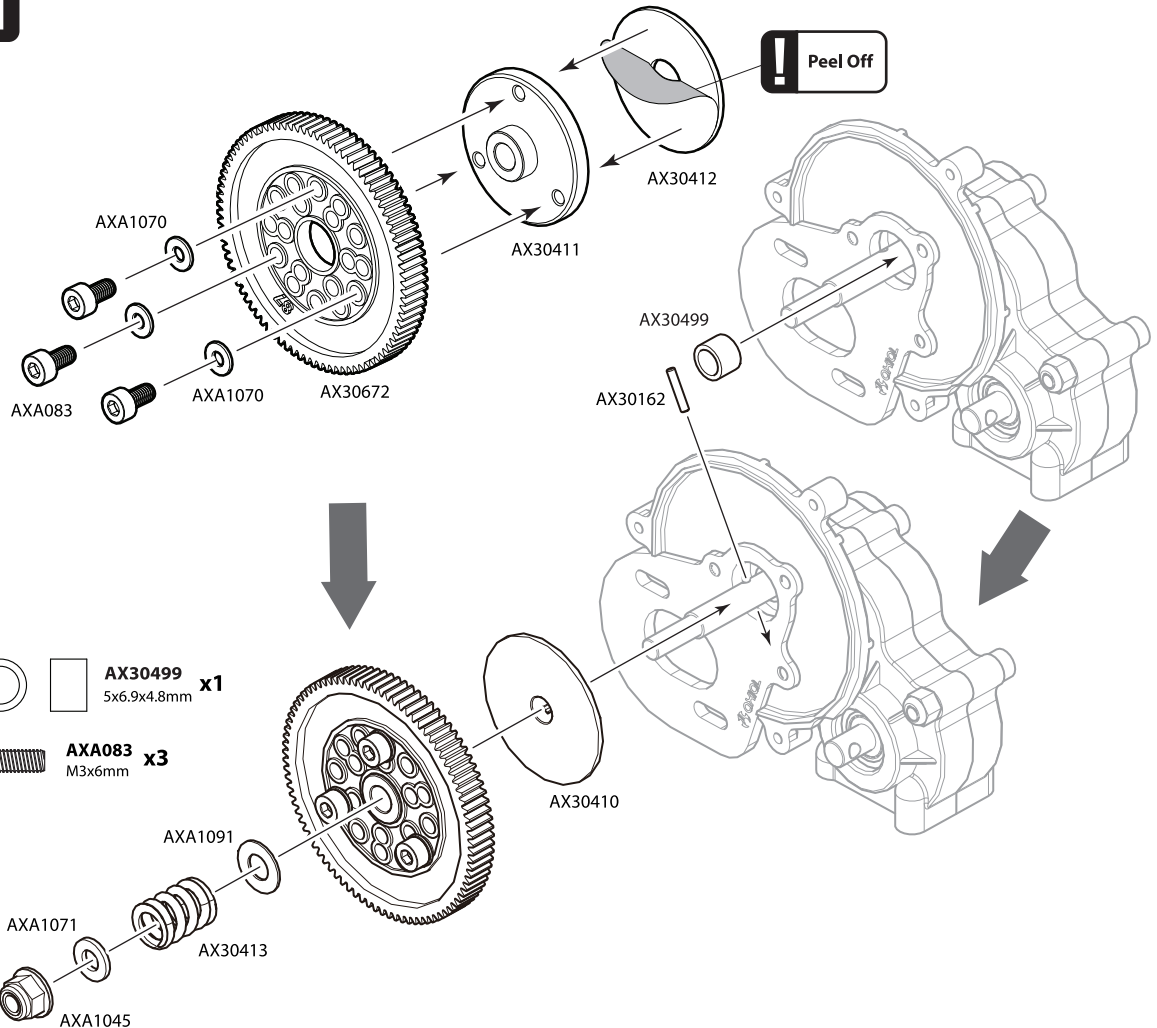


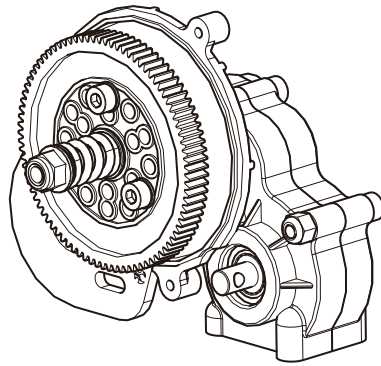
**AXA1307**  
7.5x6mm Spacer **x3**

**AX30498**  
Transmission Spacer **x1**



**21**



**22**

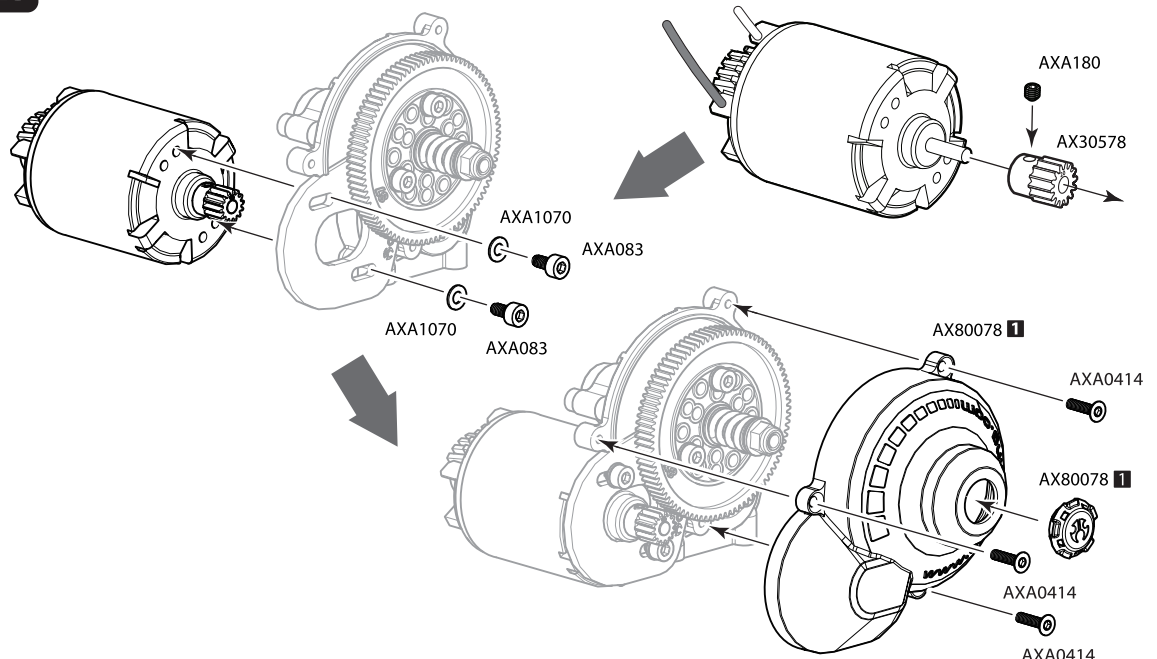
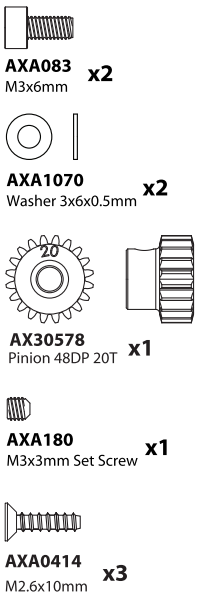
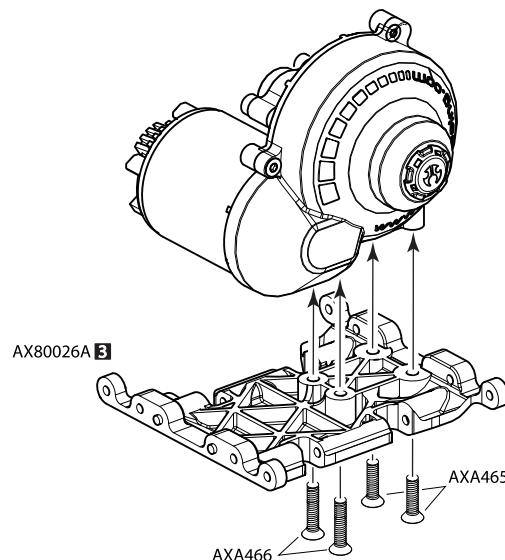
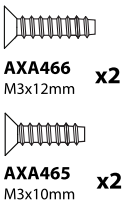
### Slipper Clutch Setup

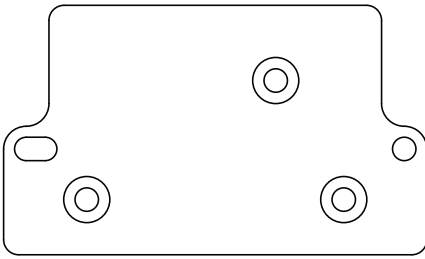
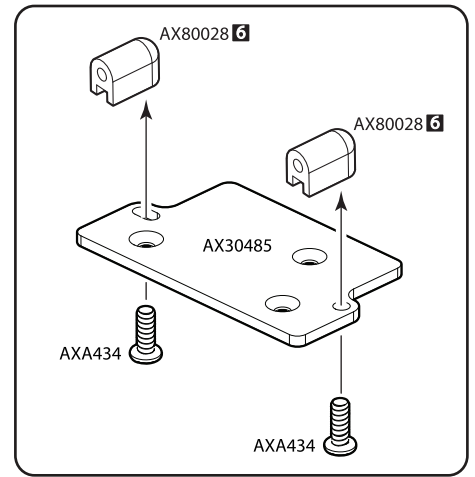
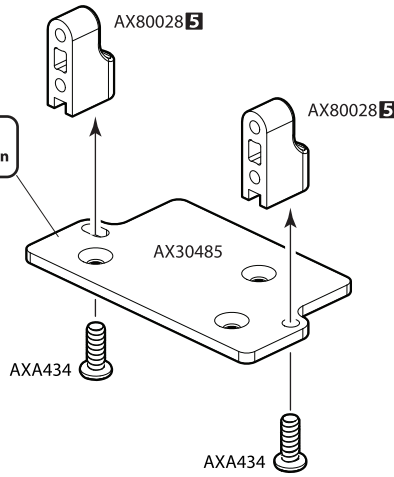
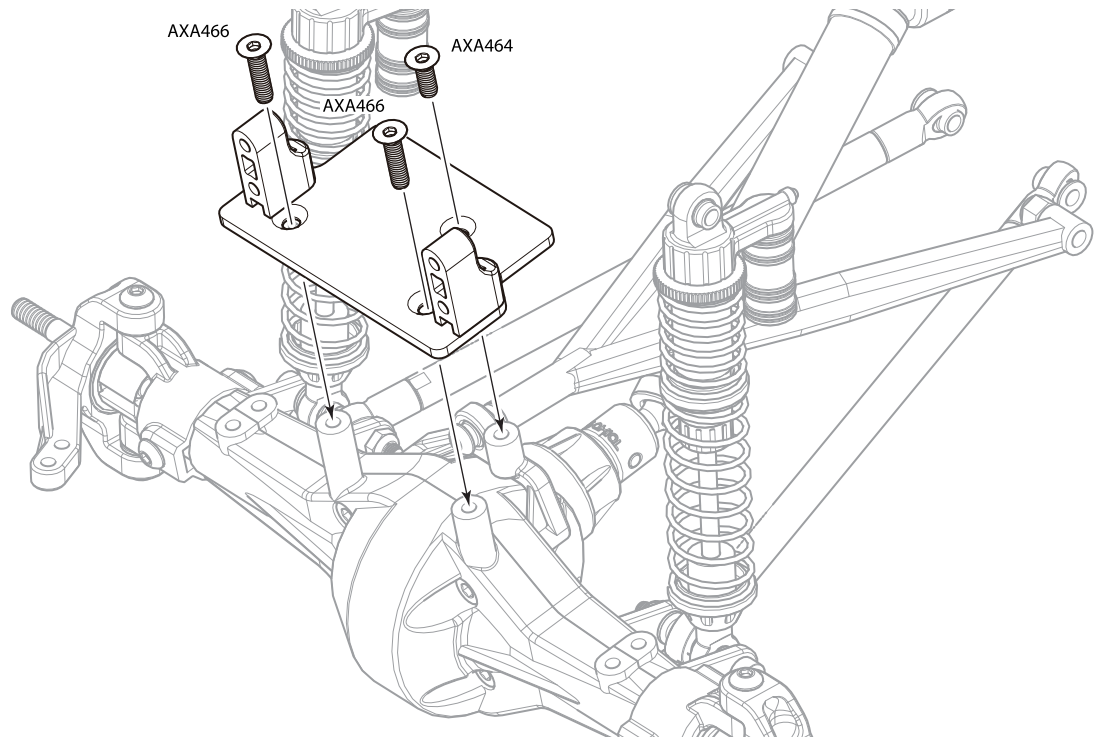
To set the slipper clutch, tighten the nut (⌚ Clockwise) until it stops then loosen it 2 turns (⌚ Counter clockwise). The spur gear should slip when firm pressure is applied. Do not overtighten the slipper clutch, damage may occur to the drivetrain.

### Testing the slipper clutch

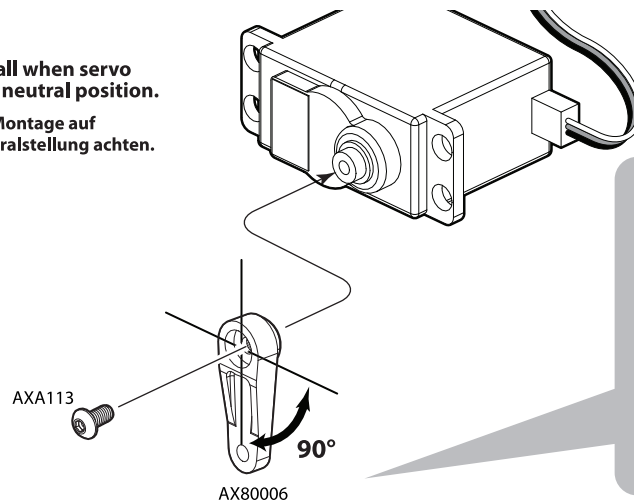
1. Hold the tires
2. Use your fingers to rotate the spur gear

Note: The spur gear should slip when firm pressure is applied. If it does not slip, loosen the nut in 1/2 turn increments

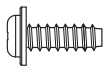
**23****24**

**E****Open Bag E****25****AXA434**  
M3x8mm **x2****AX30485**  
AX10 Scorpion Servo Plate **x1****!** Note Direction  
Richtung beachten**AXA466**  
M3x12mm Hex Socket Tapping Flat Head **x2****AXA464**  
M3x8mm Hex Socket Tapping Flat Head **x1****26****AXA113**  
M3x6mm **x1****27****Install when servo is in neutral position.**

Bei Montage auf Neutralstellung achten.

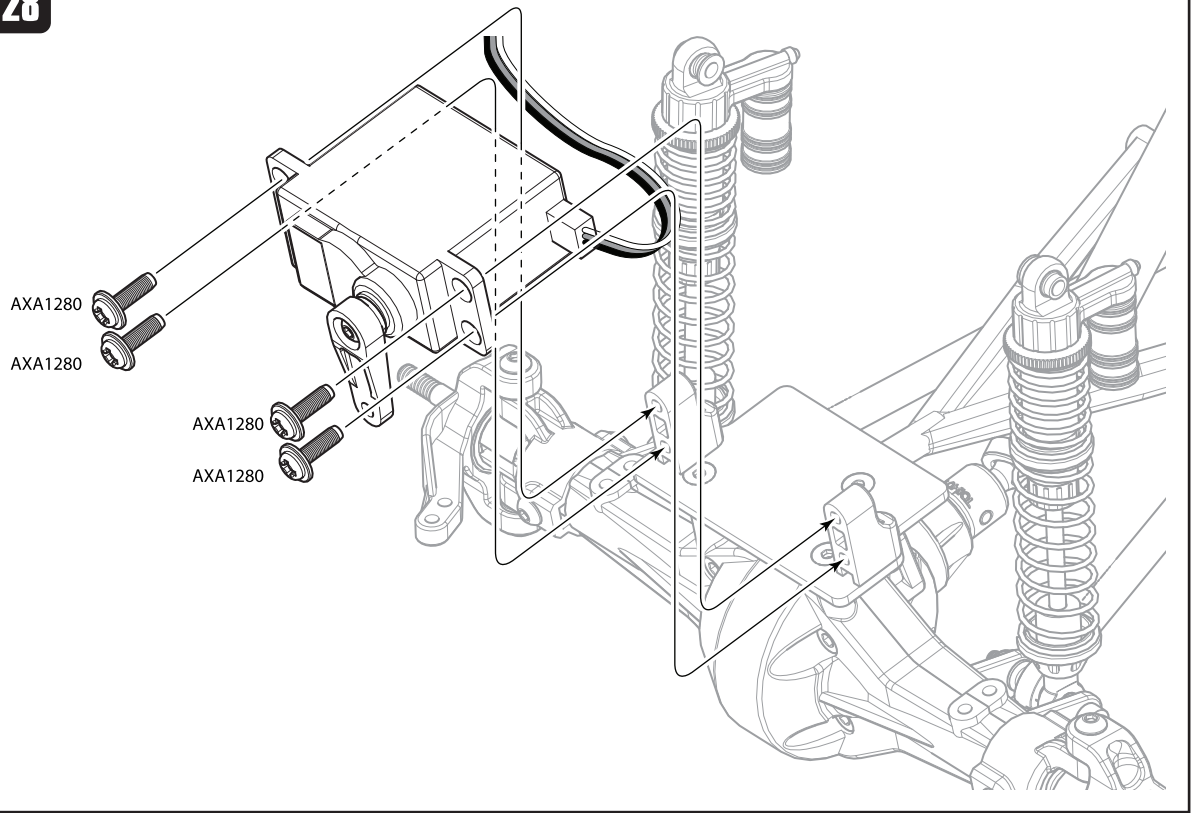
**AX80006**  
**23** **Airtronics / JR / KO****AX80006**  
**24** **Hitec****AX80006**  
**25** **Futaba**





**AXA1280**  
M3x10mm **x4**

**28**



**AXA117**  
M3x15mm Hex Socket Button Head **x1**



**AXA120**  
M3x25mm Hex Socket Button Head **x1**



**AXA1414** **x1**  
6x2x3mm



**AXA1052** **x2**  
M3 Nylon Locking Hex Nut



**AXA1053** **x1**  
M3 Nylon Locking Hex Nut



**AXA186** **x4**  
3x16mm Set Screw

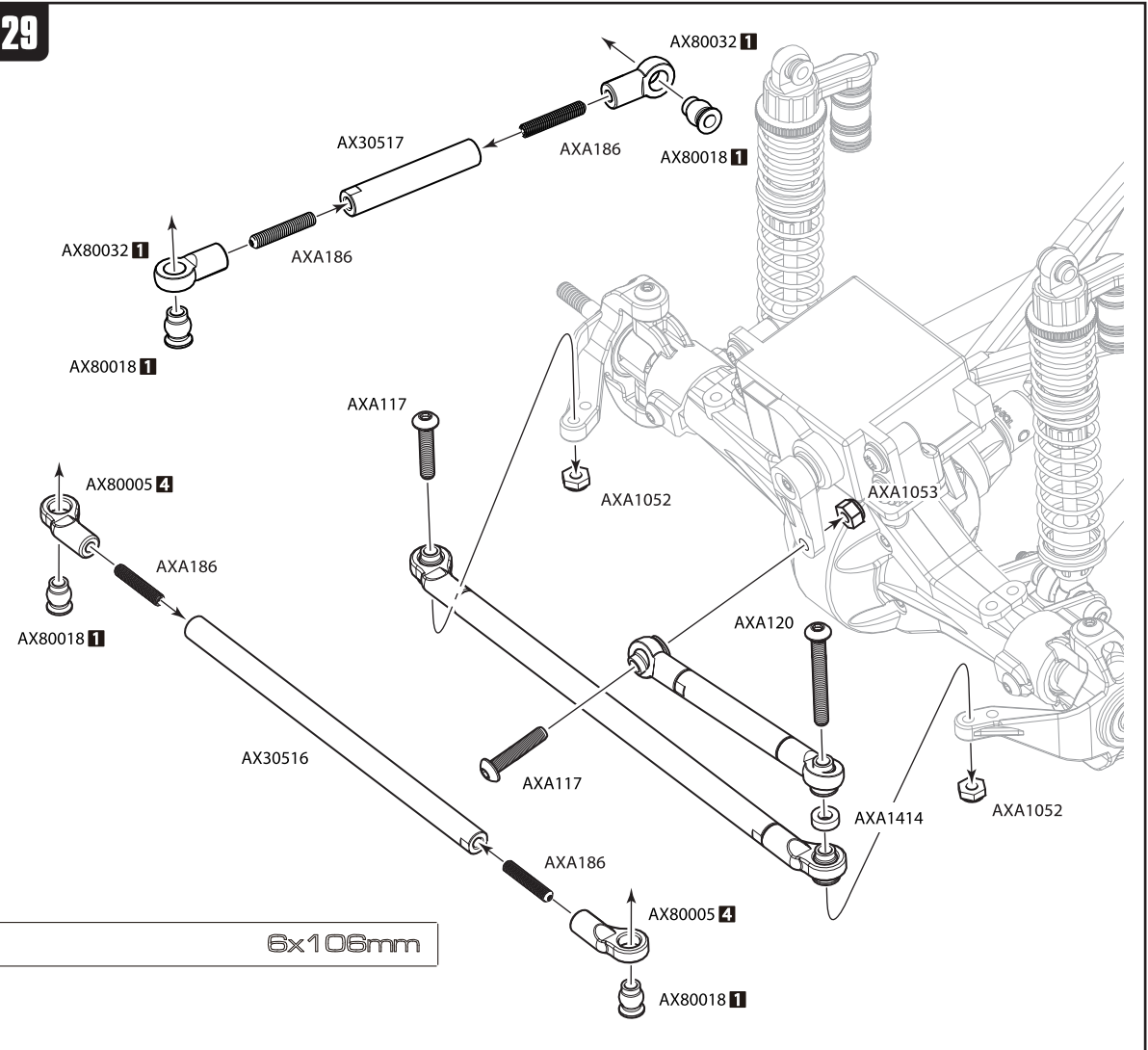


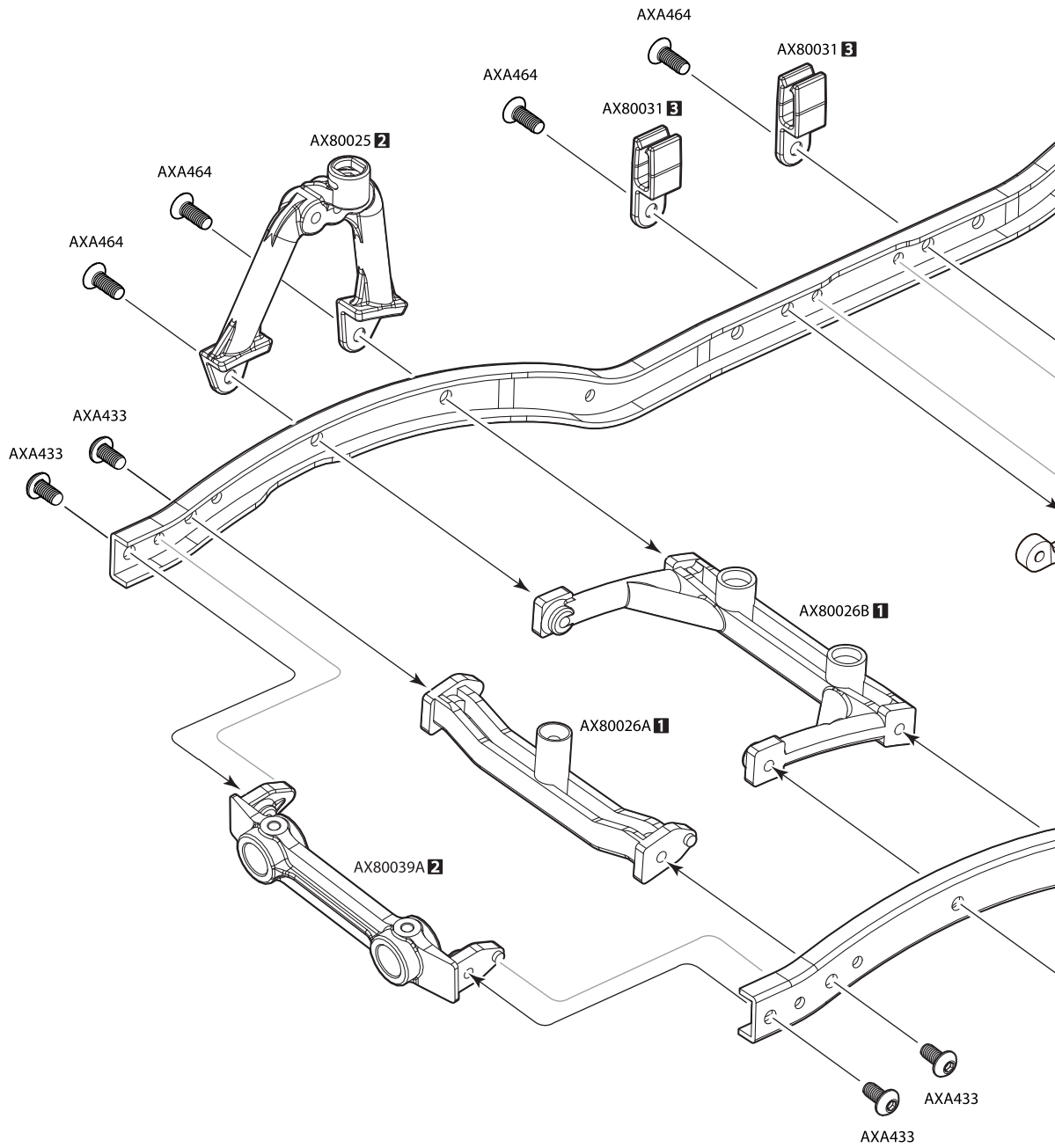
**AX30517** **x1**  
6x33mm

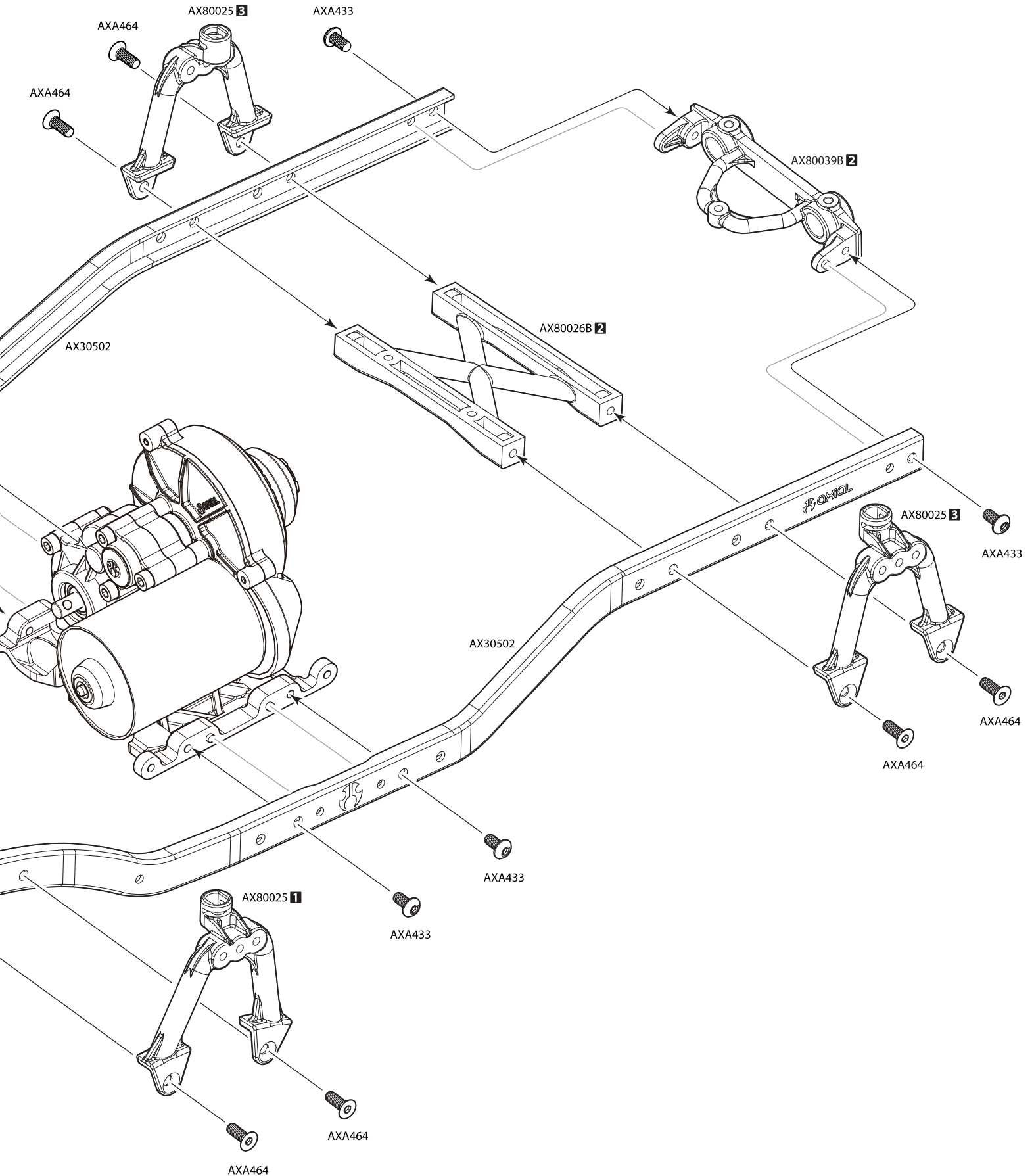


**AX30516** **x1**  
6x106mm

**29**



**AXA433** x8  
M3x6mm**AXA464** x10  
M3x8mm





# 31



**AXA119**  
M3x20mm Hex Socket Button Head **x2**



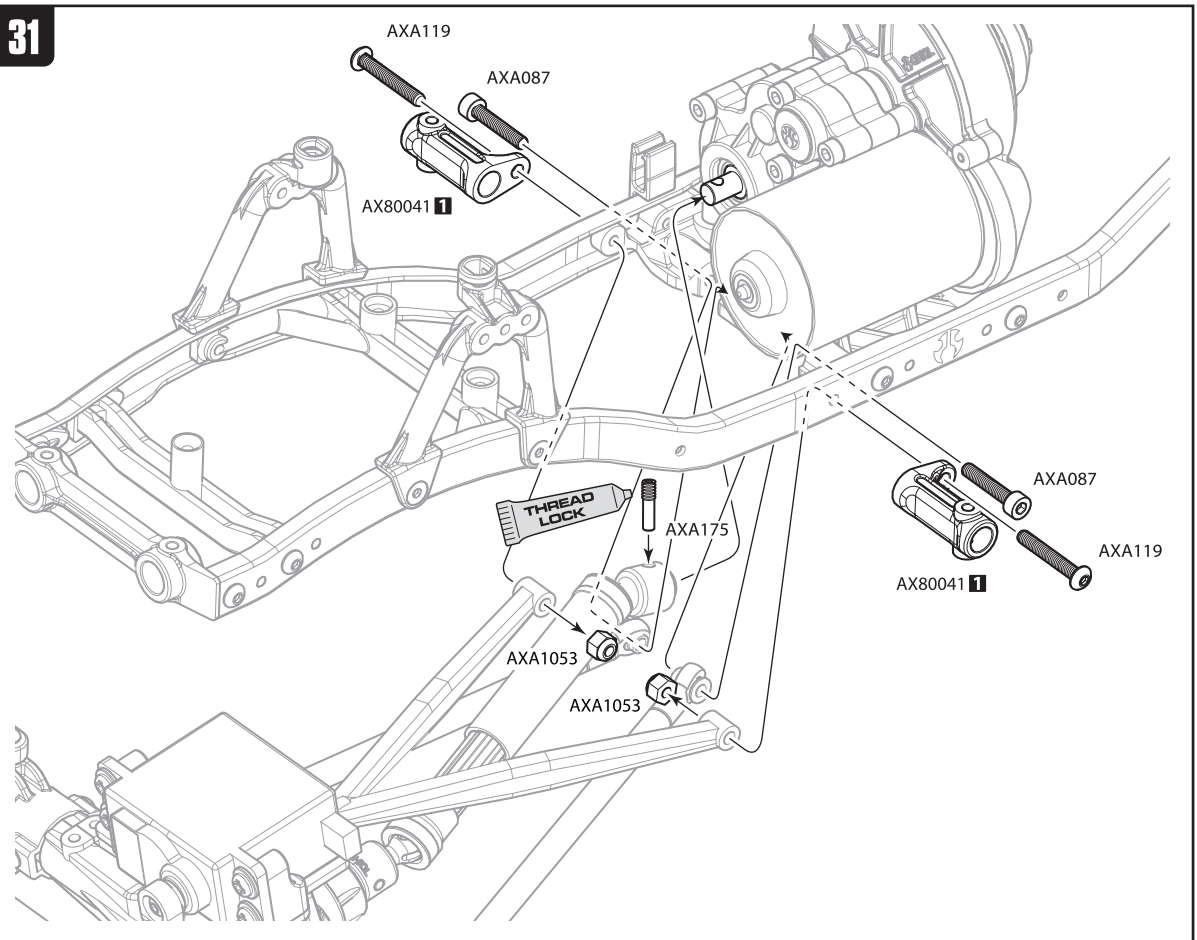
**AXA087**  
M3x16mm Cap Head **x2**



**AXA1053**  
M3 Nylon Lock Nut **x2**



**AXA175**  
Screw Shaft M3x2.5x11mm **x1**



# 32



**AXA119**  
M3x20mm Hex Socket Button Head **x2**



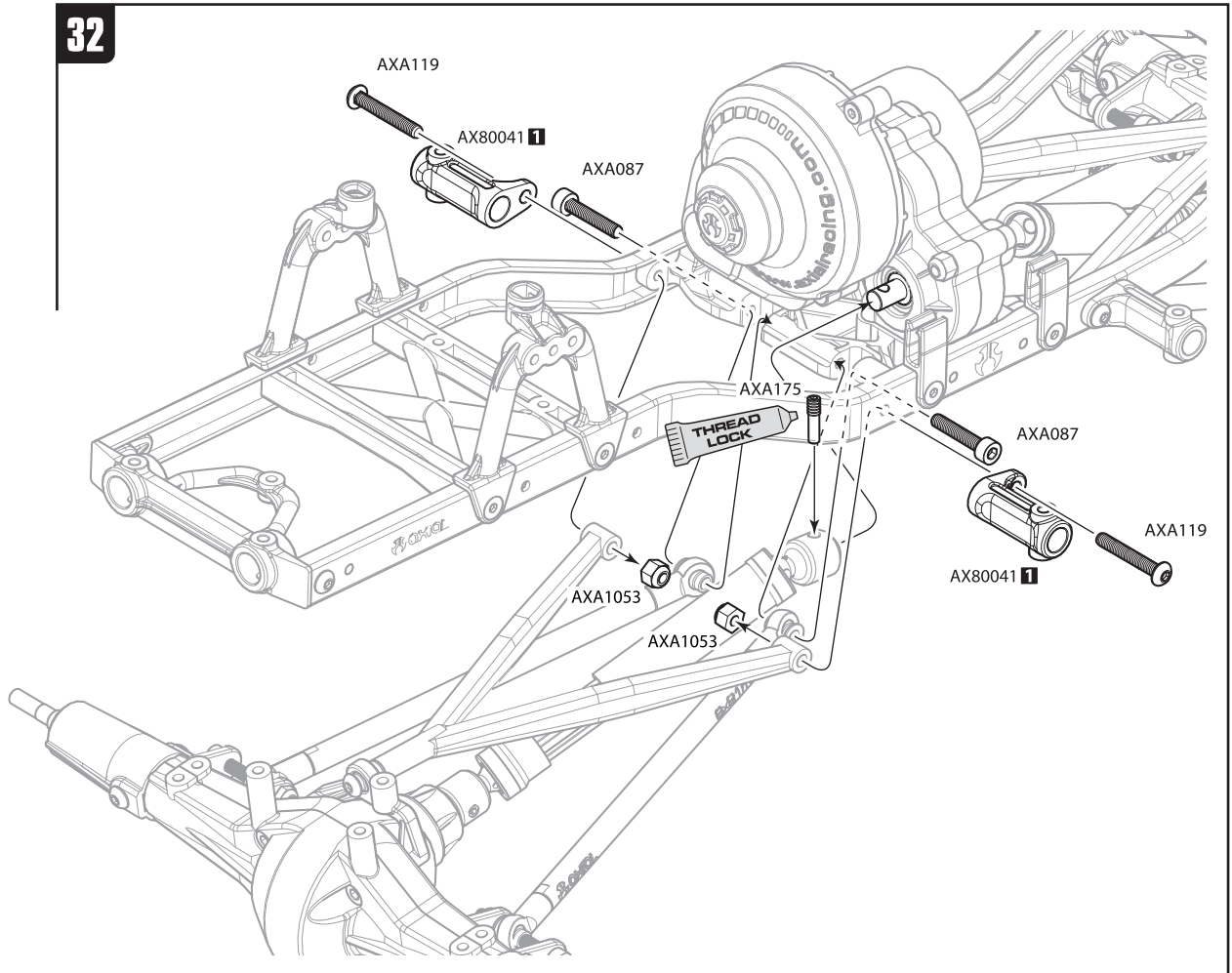
**AXA087**  
M3x16mm Cap Head **x2**



**AXA1053**  
M3 Nylon Lock Nut **x2**



**AXA175**  
Screw Shaft M3x2.5x11mm **x1**

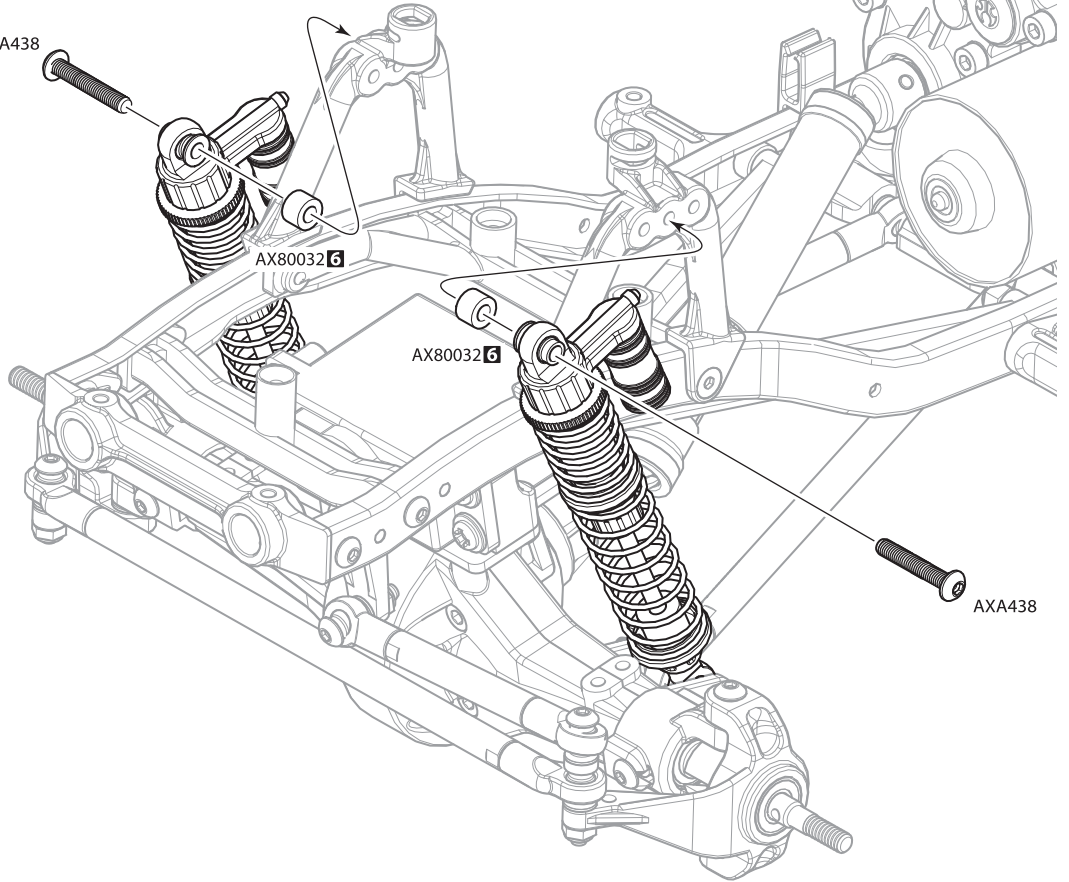




**AXA438**  
M3x18mm Tapping Button Head **x2**

**33**

AXA438



AX80032

AX80032

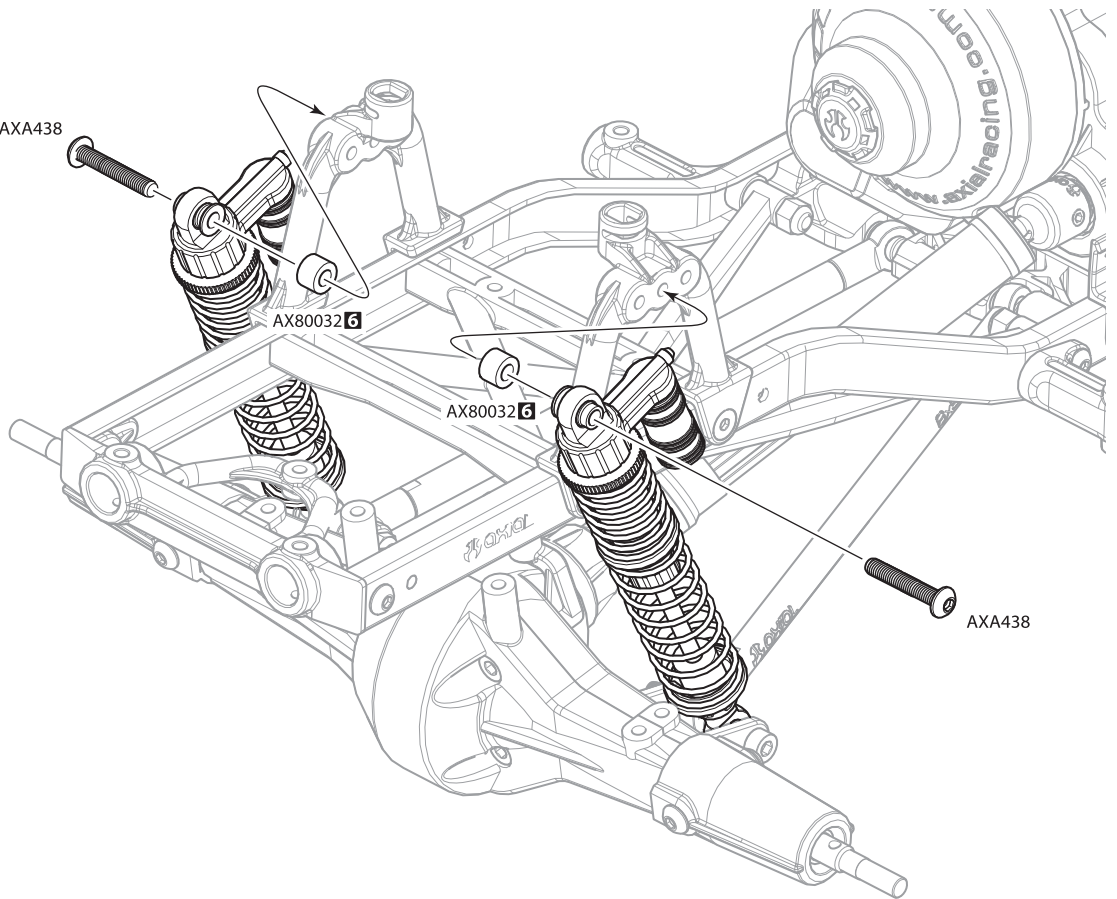
AXA438



**AXA438**  
M3x18mm Tapping Button Head **x2**

**34**

AXA438

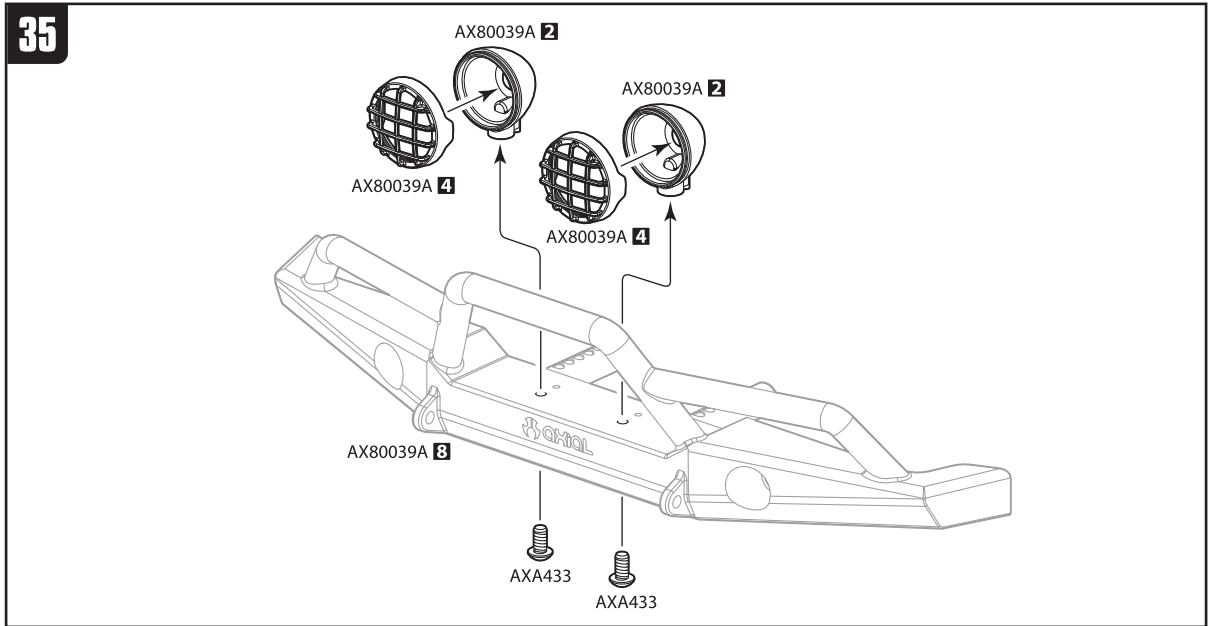


AX80032

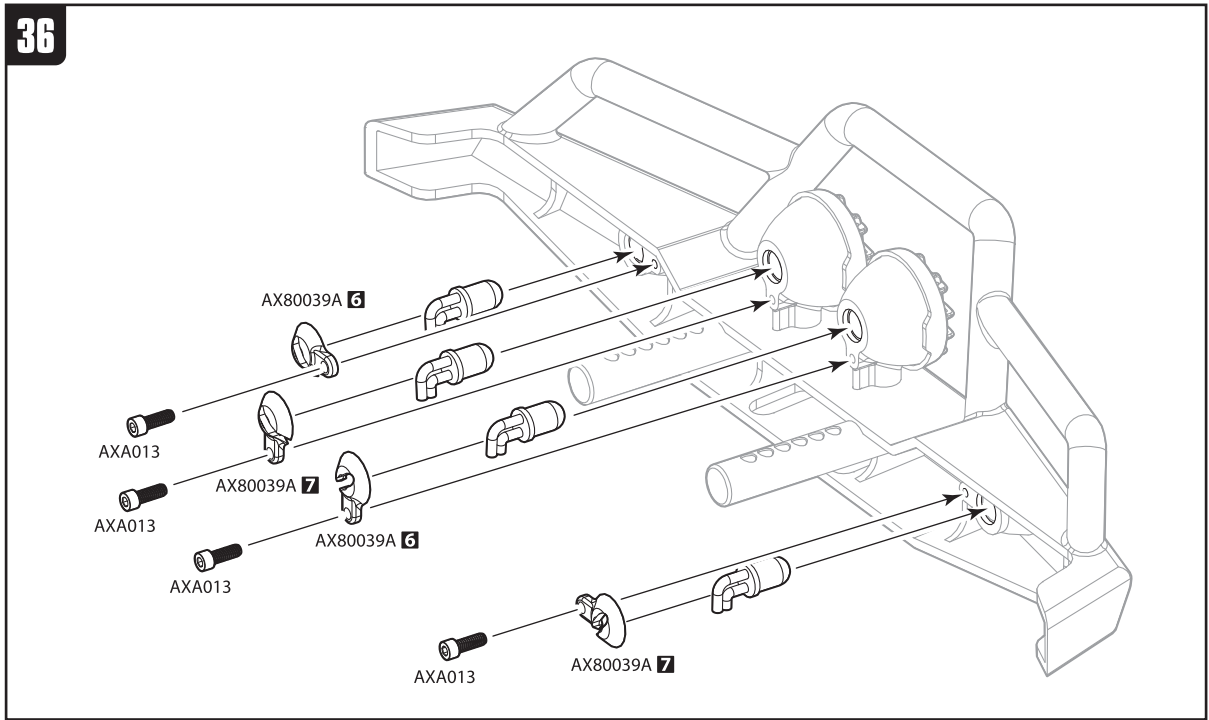
AX80032

AXA438

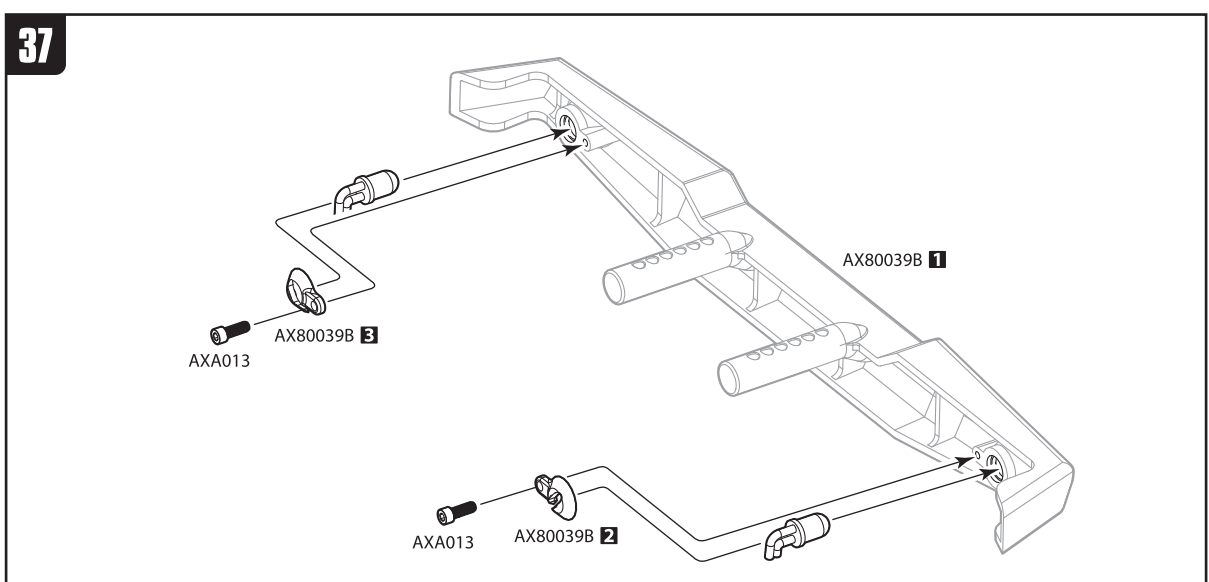
 **AXA433**  
M3x6mm **x2**



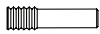
 **AXA013**  
M2x6mm **x4**



 **AXA013**  
M2x6mm **x2**

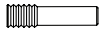
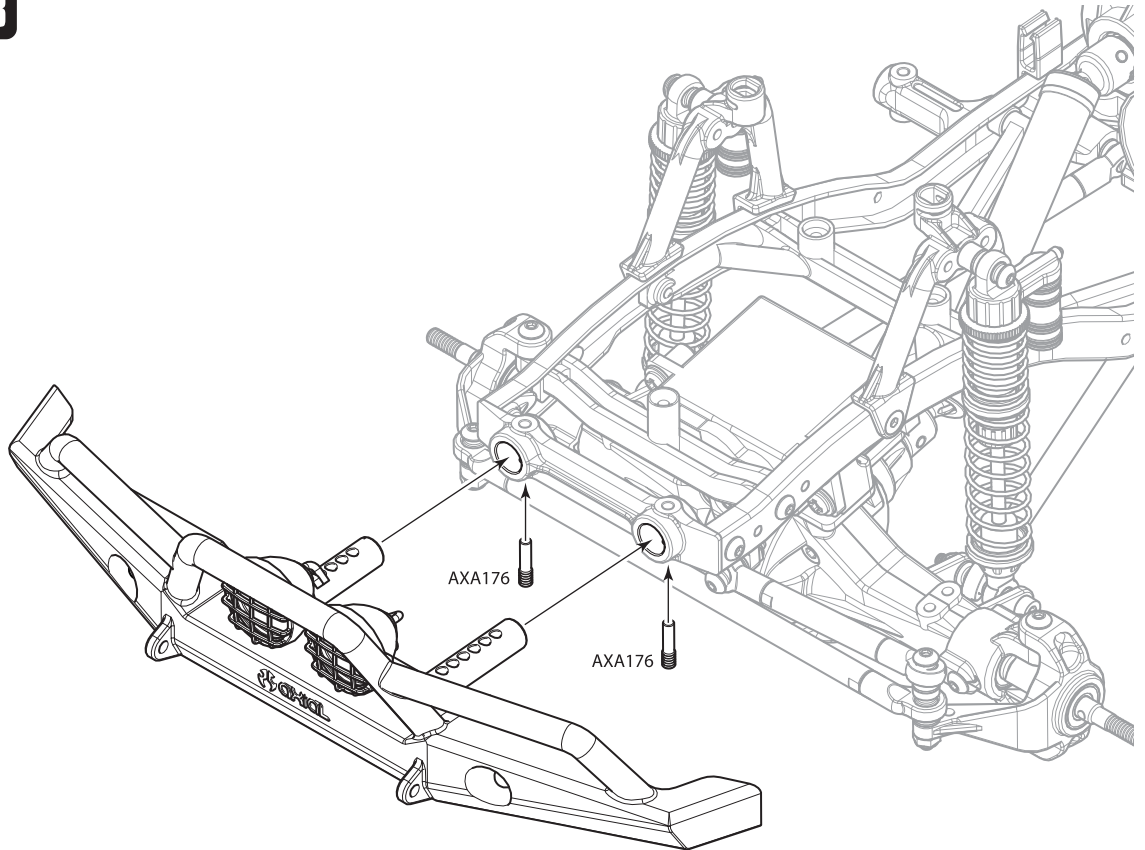






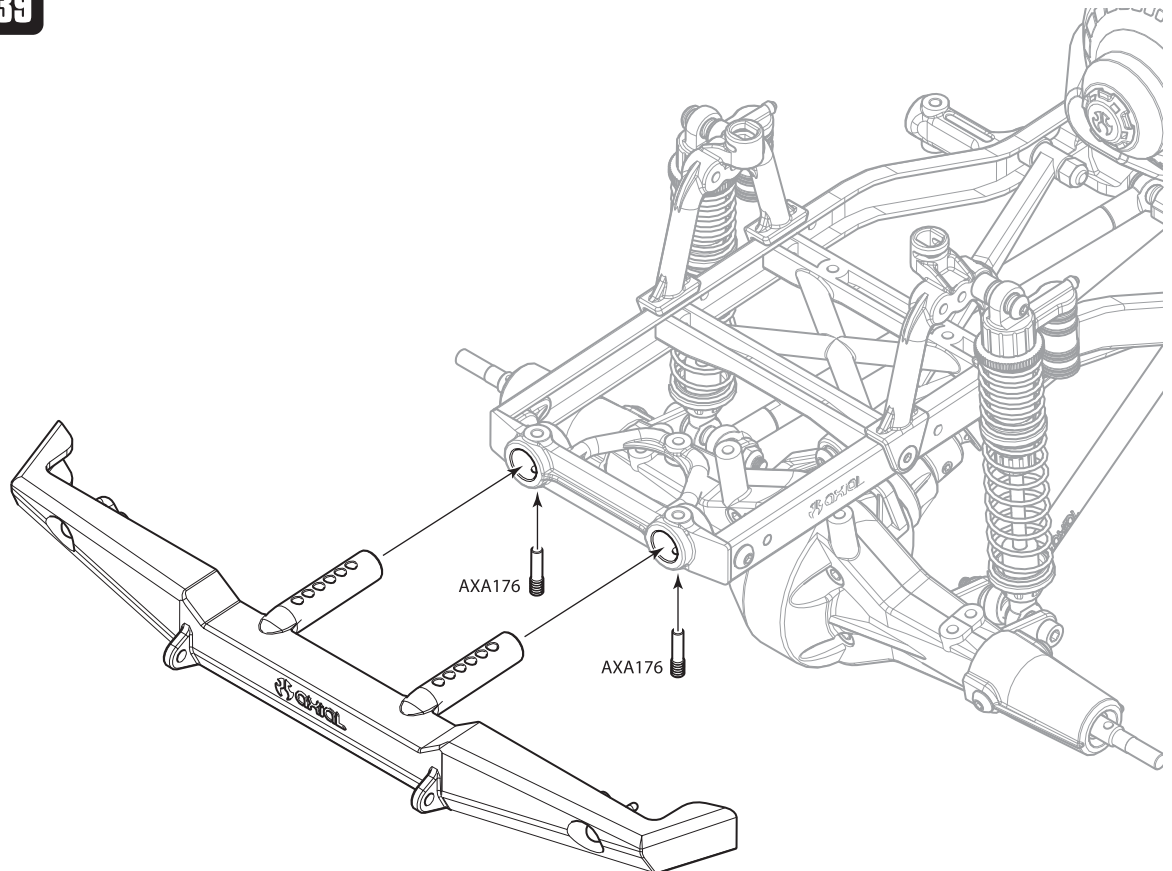
**AXA176**  
M3x2.5x13mm Screw Shaft **x2**

**38**

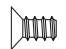
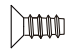



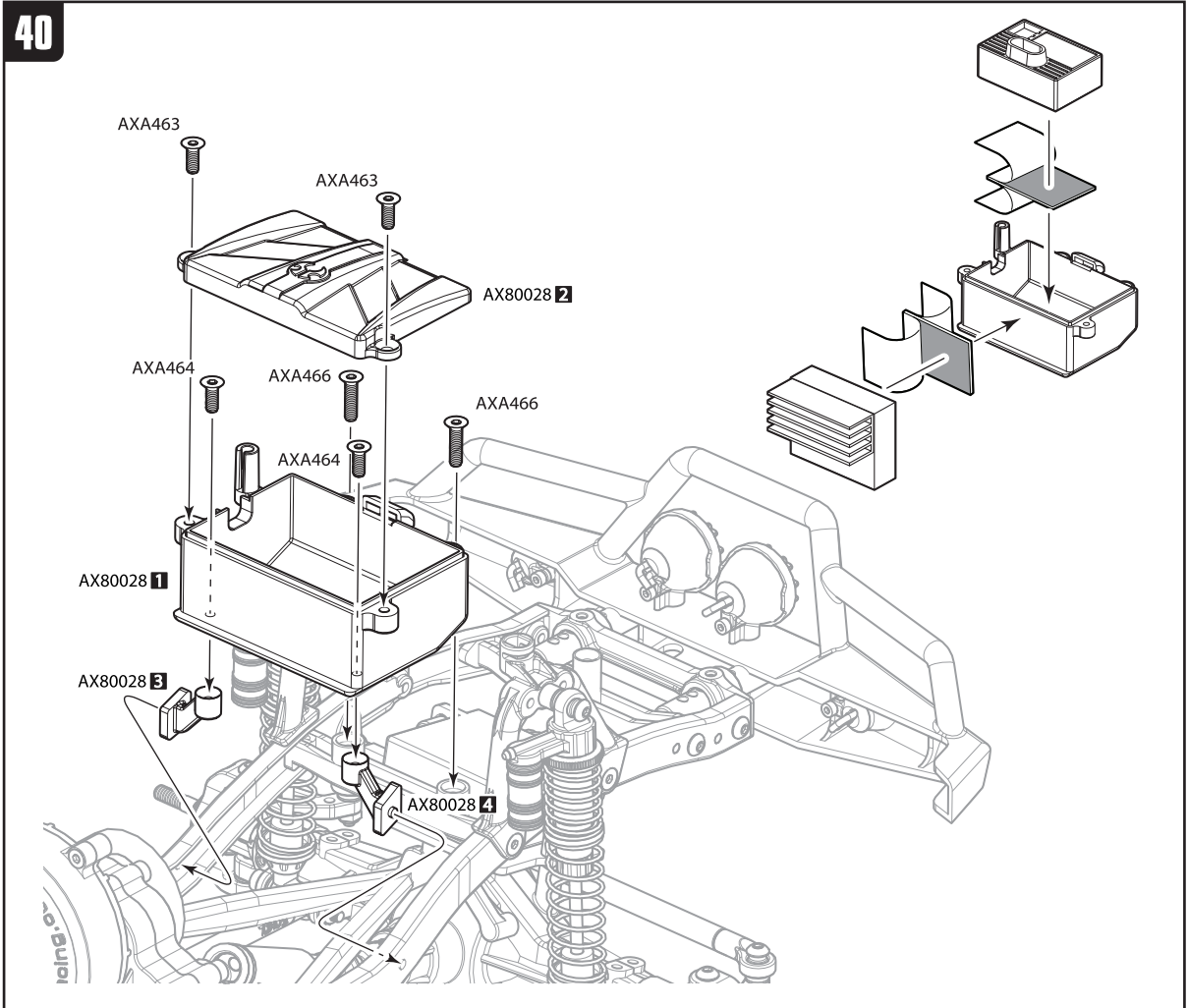
**AXA176**  
M3x2.5x13mm Screw Shaft **x2**

**39**

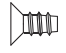



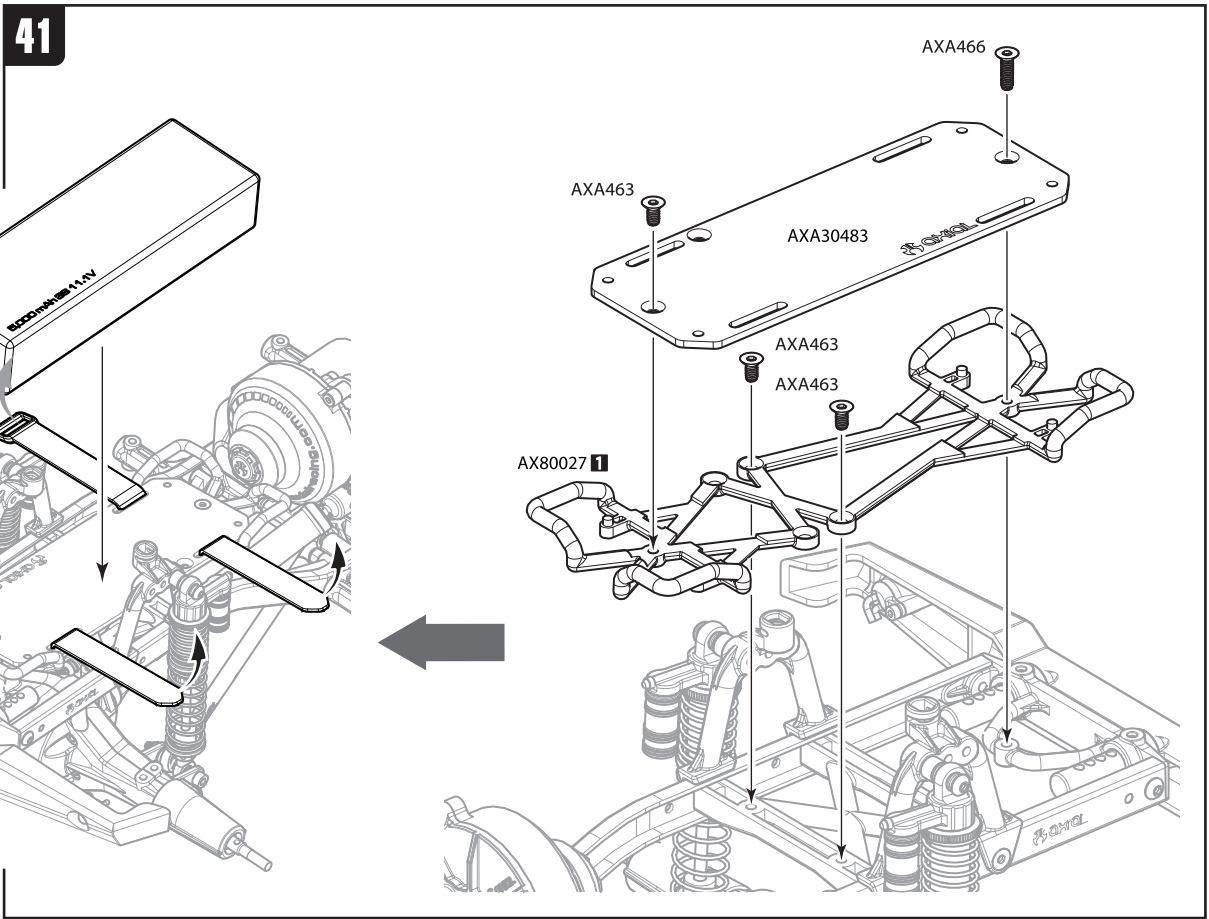
# 40

-  **AXA463**  
M3x6mm Tapping Flat Head **x2**
-  **AXA464**  
M3x8mm Tapping Flat Head **x2**
-  **AXA466**  
M3x12mm Tapping Flat Head **x2**



# 41

-  **AXA463**  
M3x6mm Hex Socket Tapping Flat Head **x3**
-  **AXA466**  
M3x12mm Tapping Flat Head **x1**



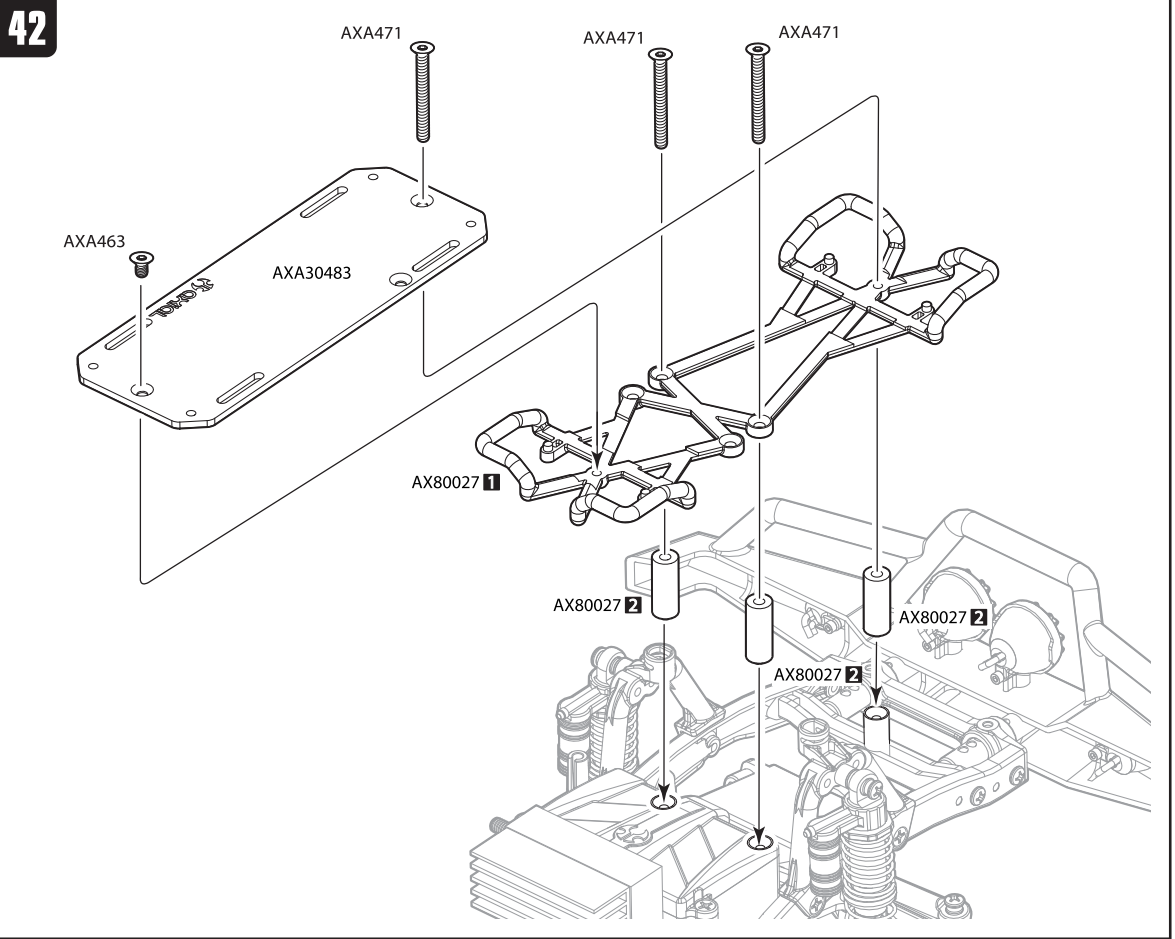
# Optional Battery Mounting



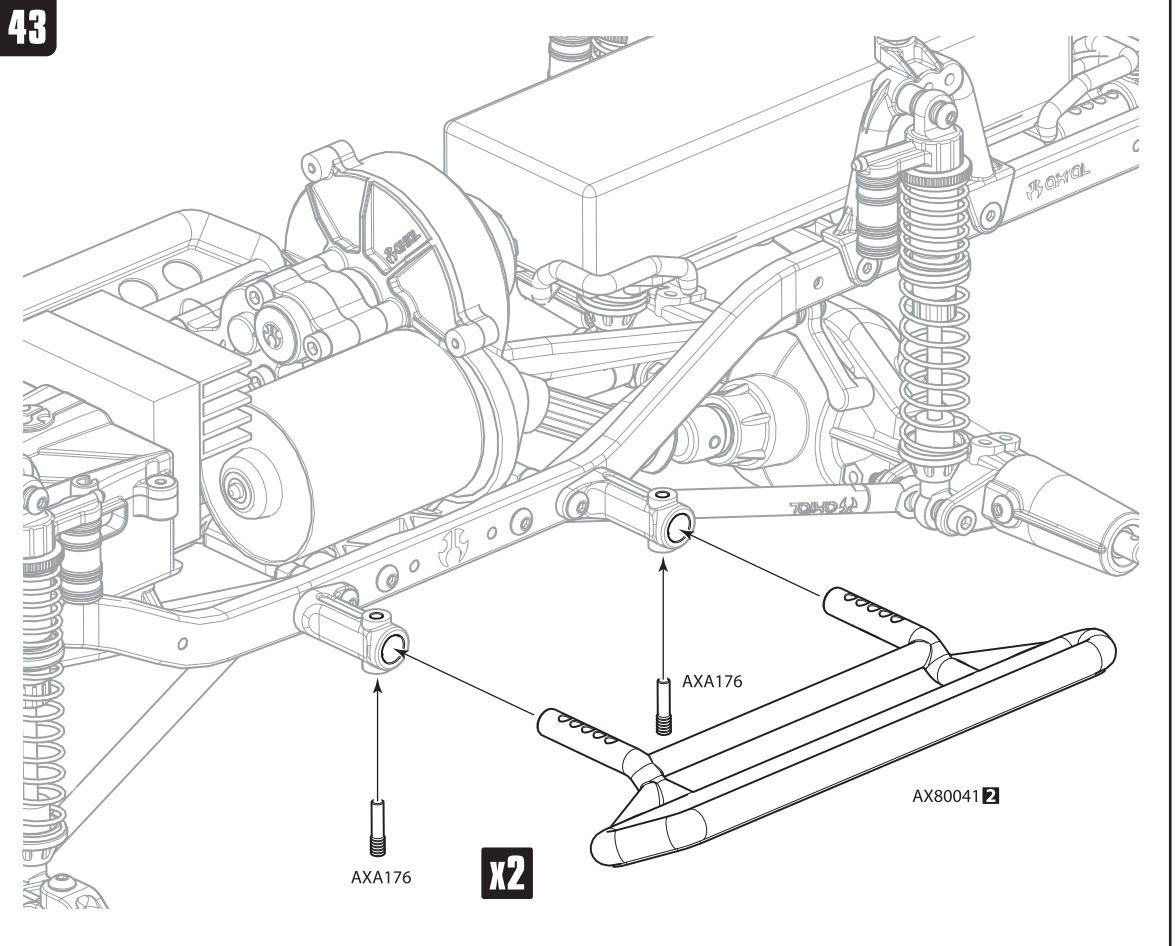
**AXA463**  
M3x6mm Hex Socket Tapping Flat Head **x1**

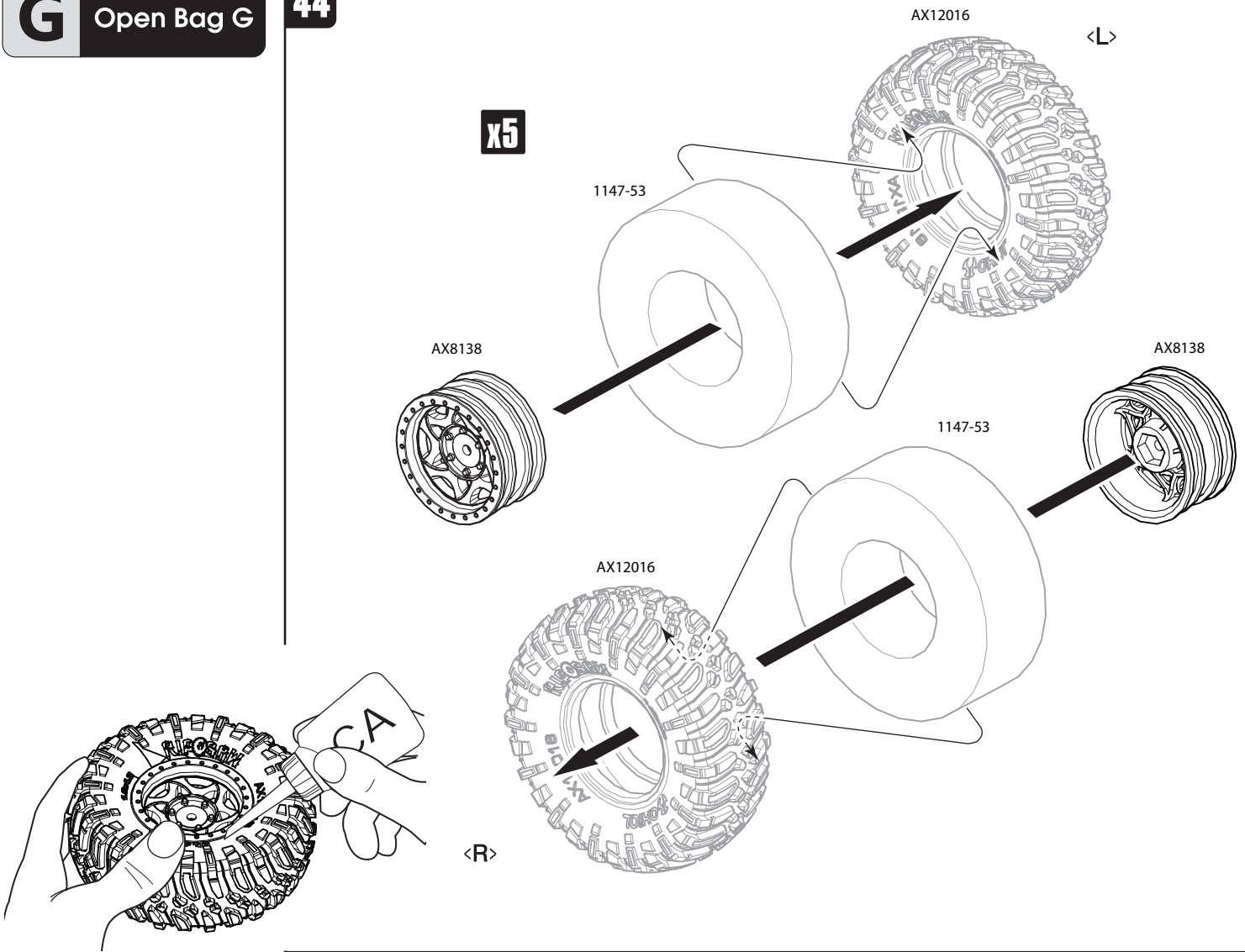




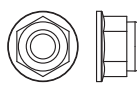
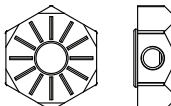
**AXA471**  
M3x30mm Hex Socket Flat Head **x3**

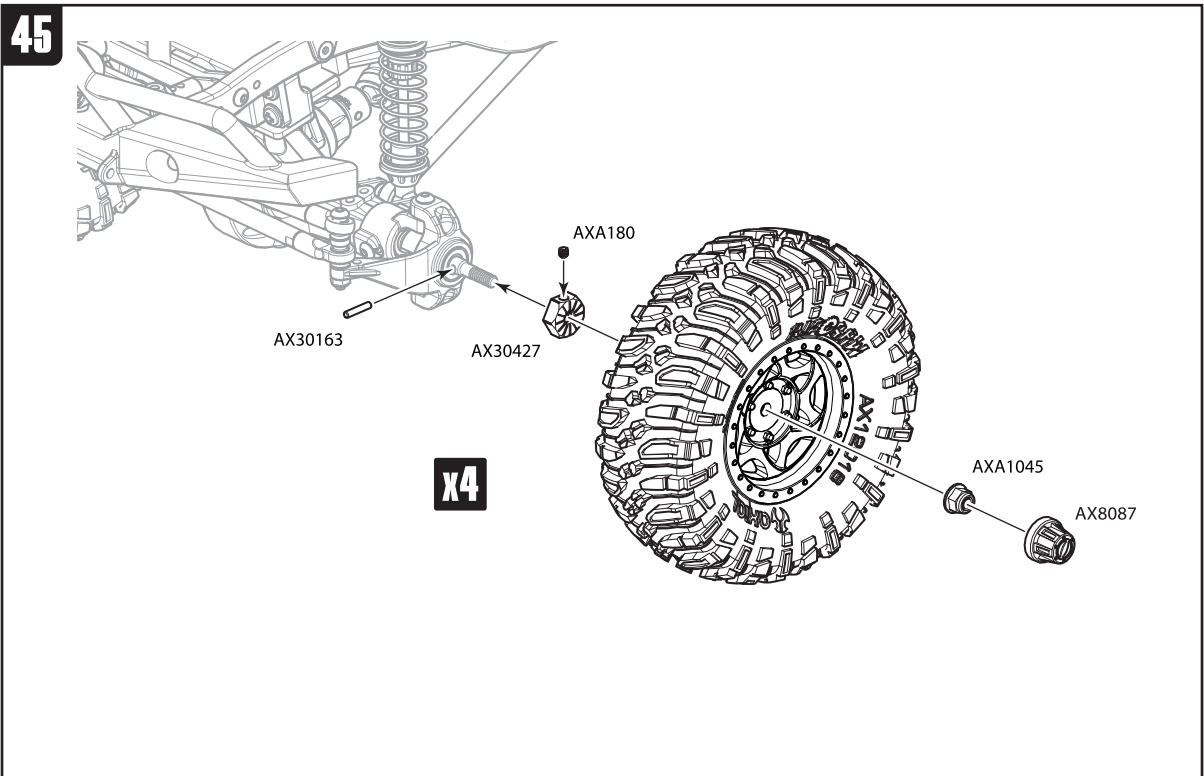


**AXA176**  
M3x2.5x13mm Screw Shaft **x4**

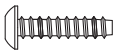




-  **AXA180**  
M3x3mm Set Screw **x4**
-  **AXA30163**  
Pin 2x10mm **x4**
-  **AXA1045**  
M4 Nylon Lock Nut **x4**
-  **AX30427**  
12mm Aluminum Hub **x4**

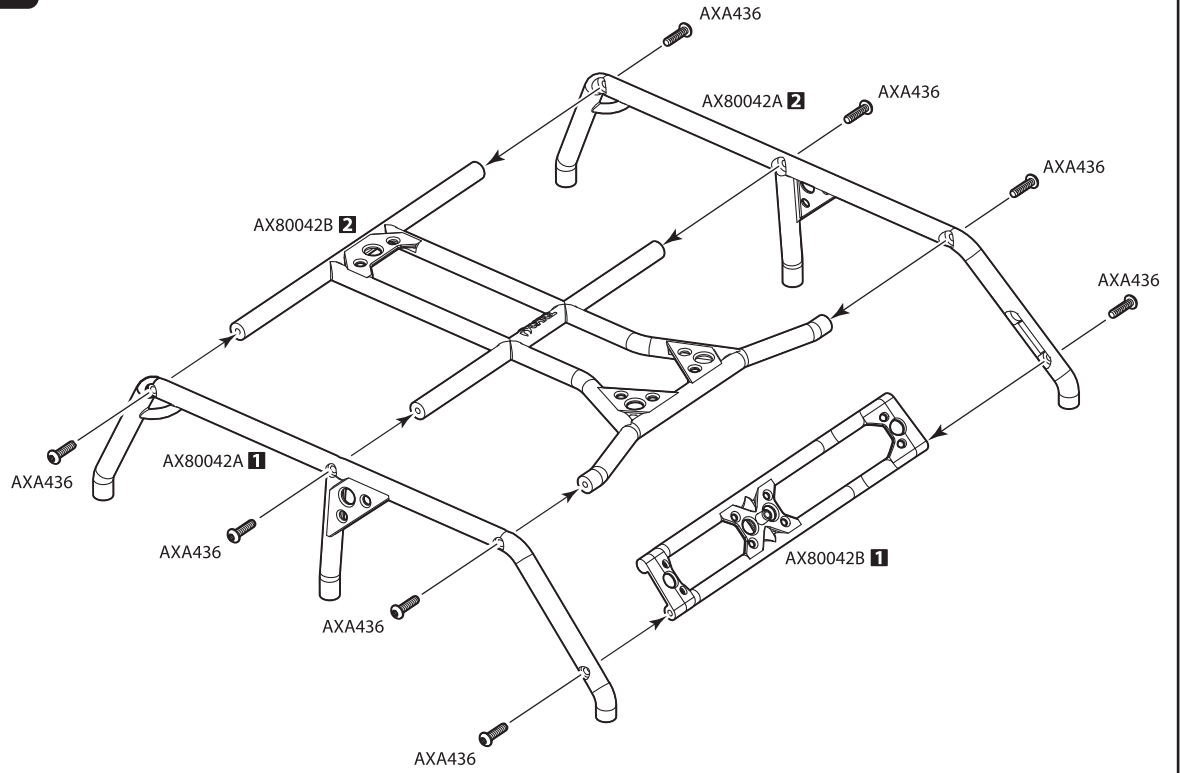






**AXA436**  
M3x12mm **x8**

**46**

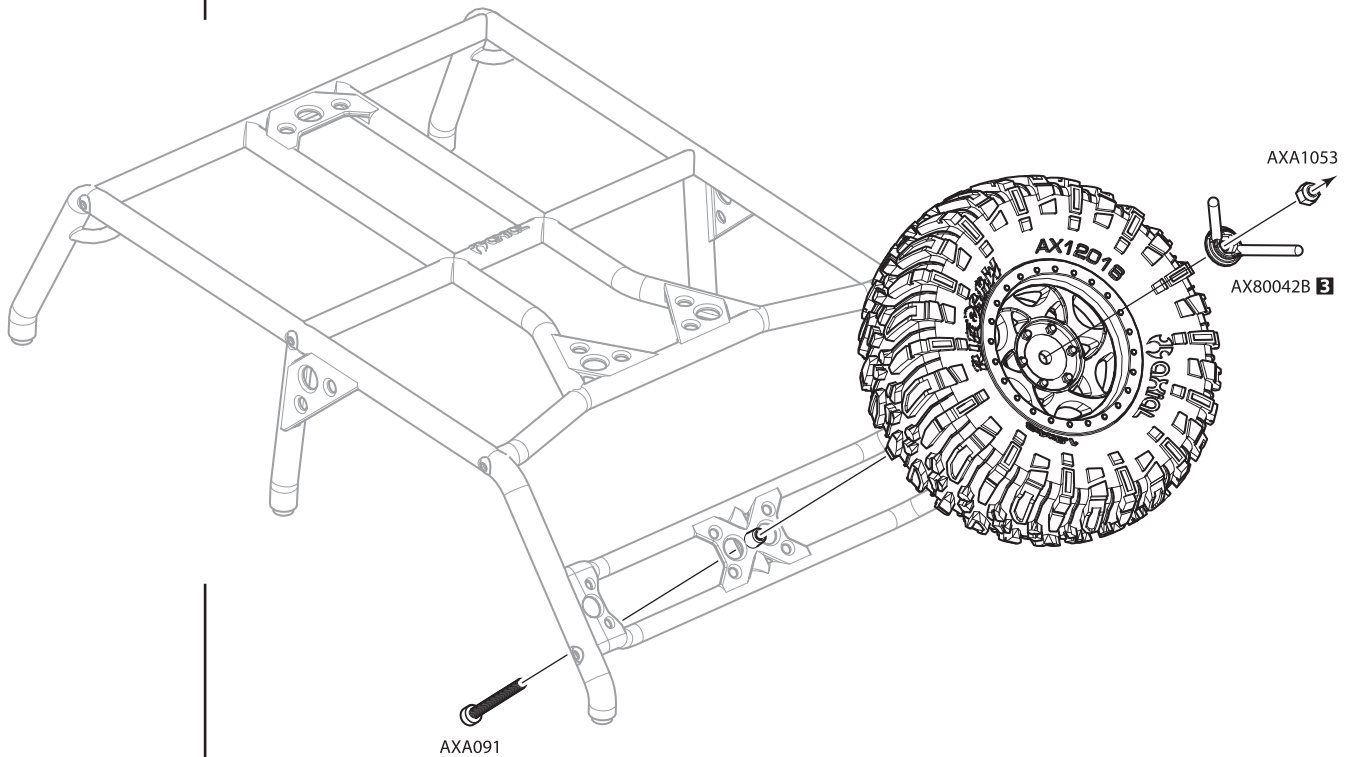


**AXA1053**  
M3 Nylon Locking Hex Nut **x1**



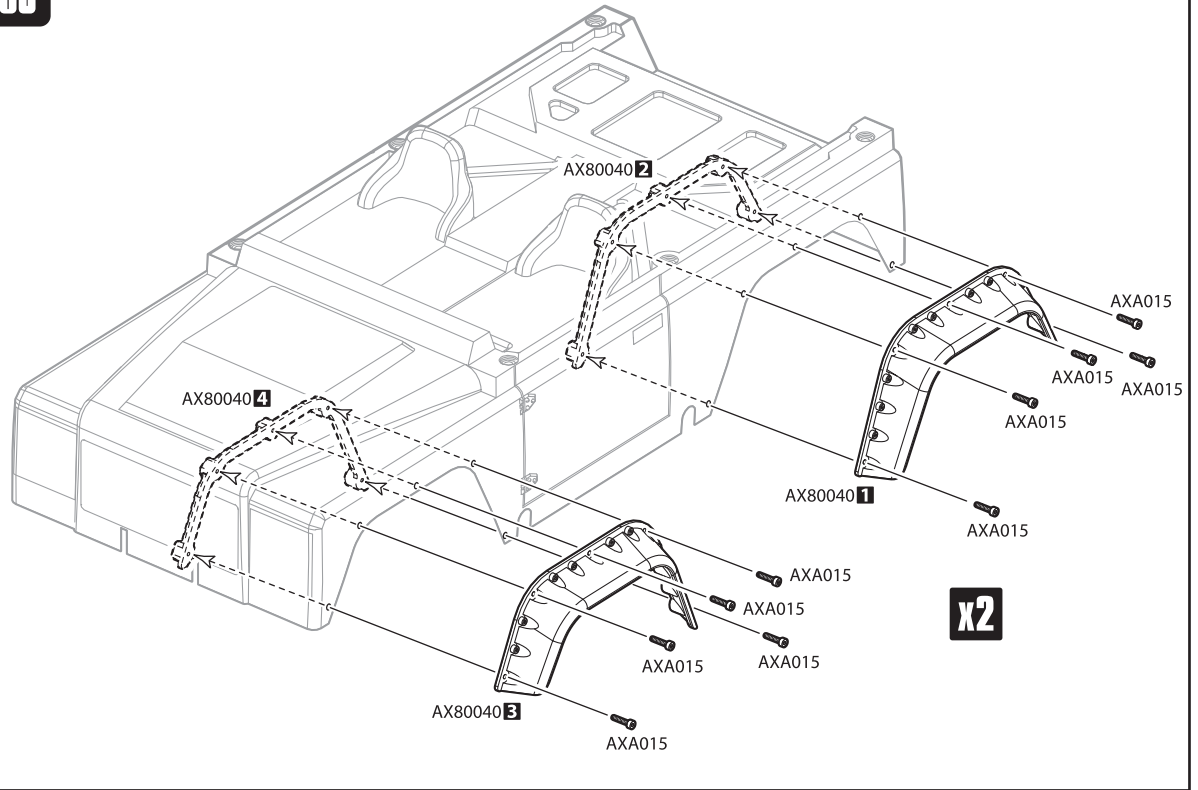
**AXA091**  
M3x30mm **x1**

**47**



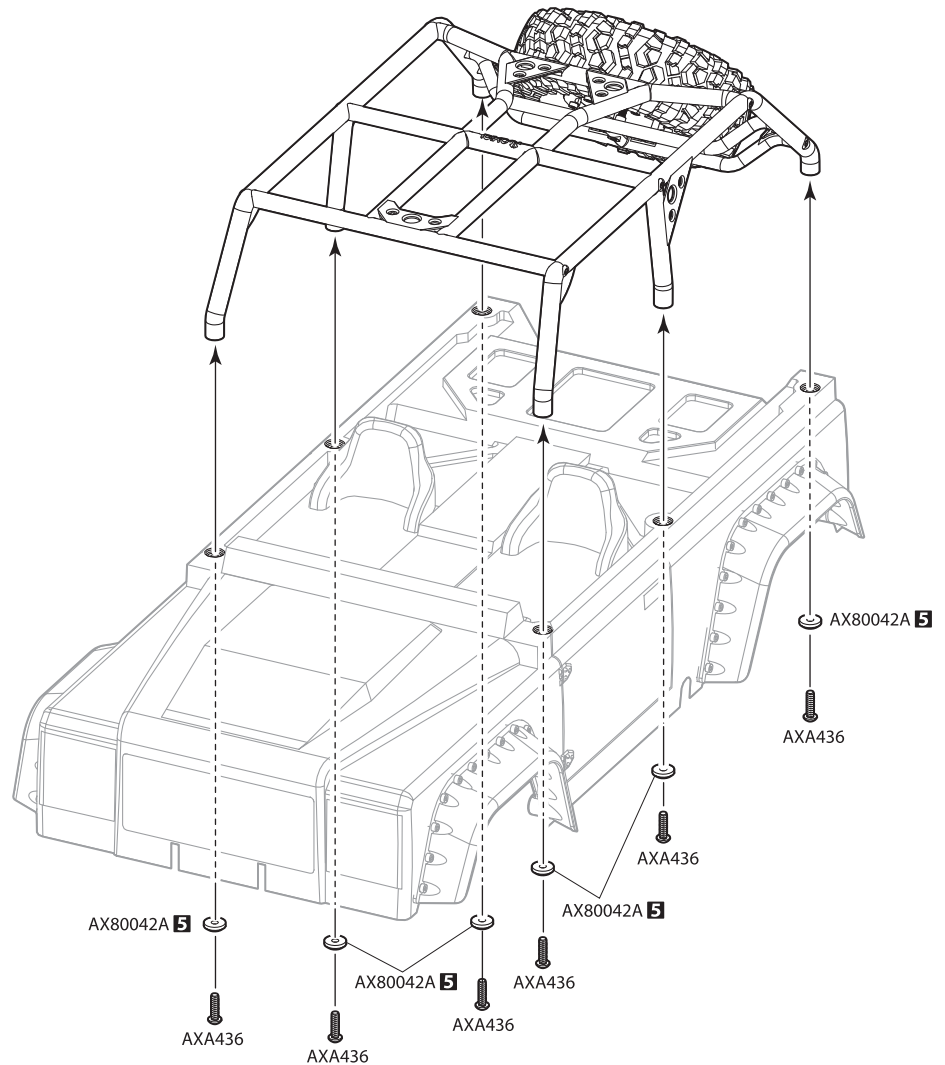
 AXA015  
M2x10mm x20

**50**



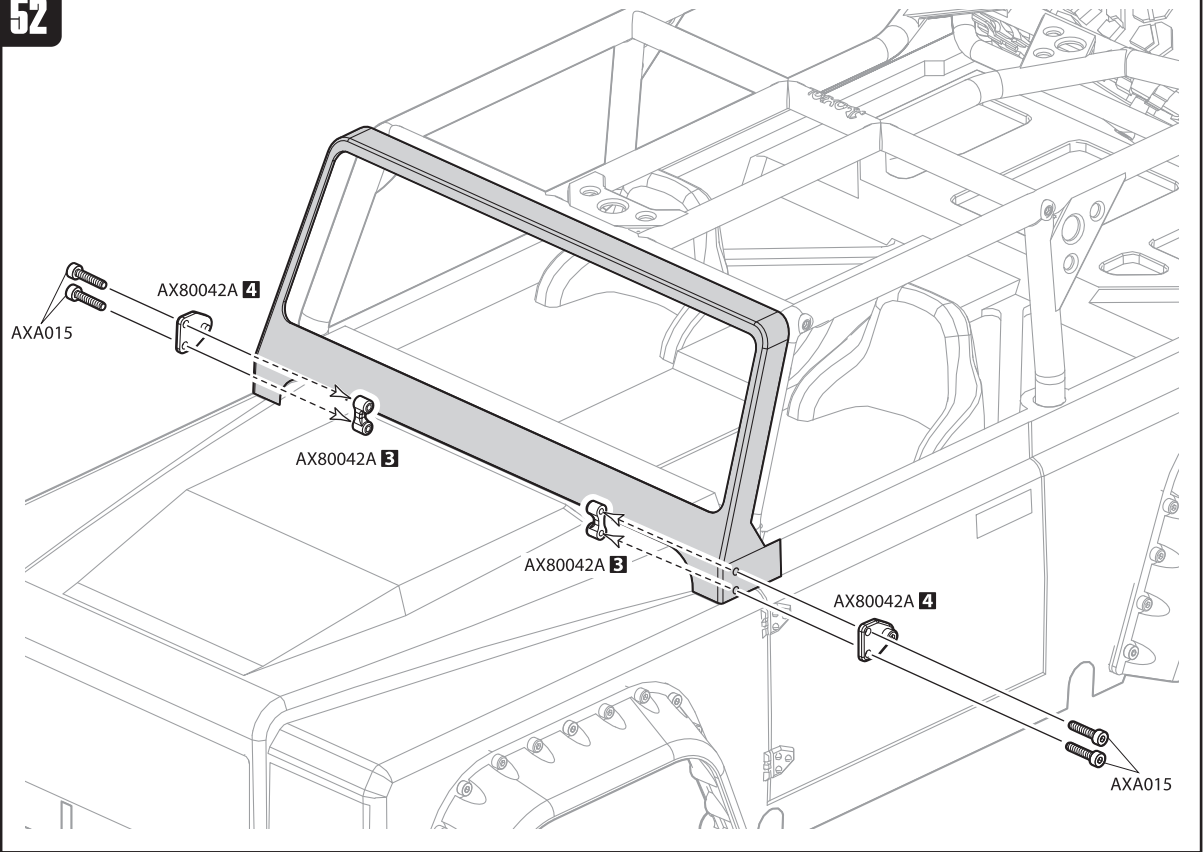
 AXA436  
M3x12mm x6

**51**



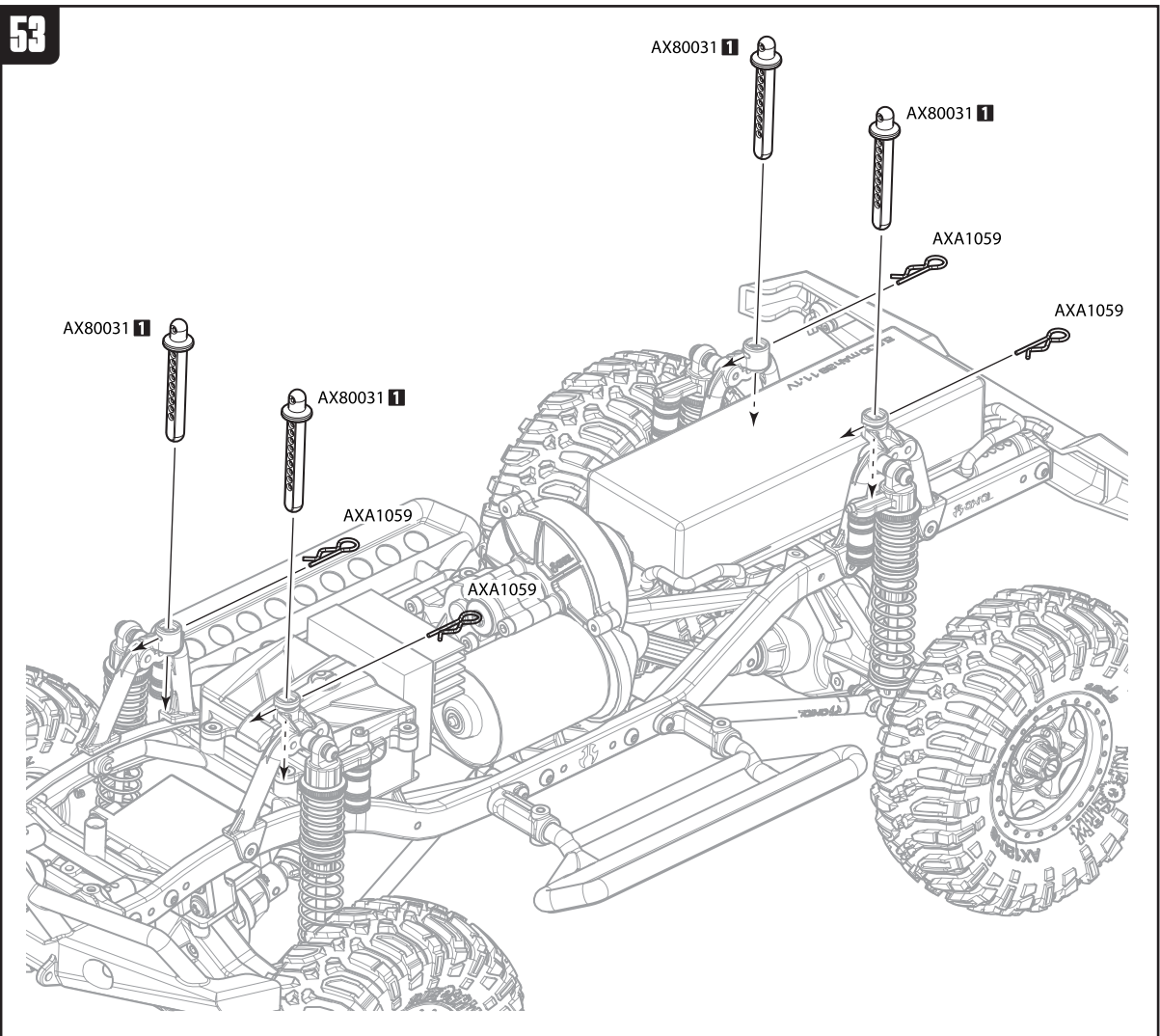
 **AXA015**  
M2x10mm **x4**

**52**



 **AXA1059**  
6mm Body Clip **x4**

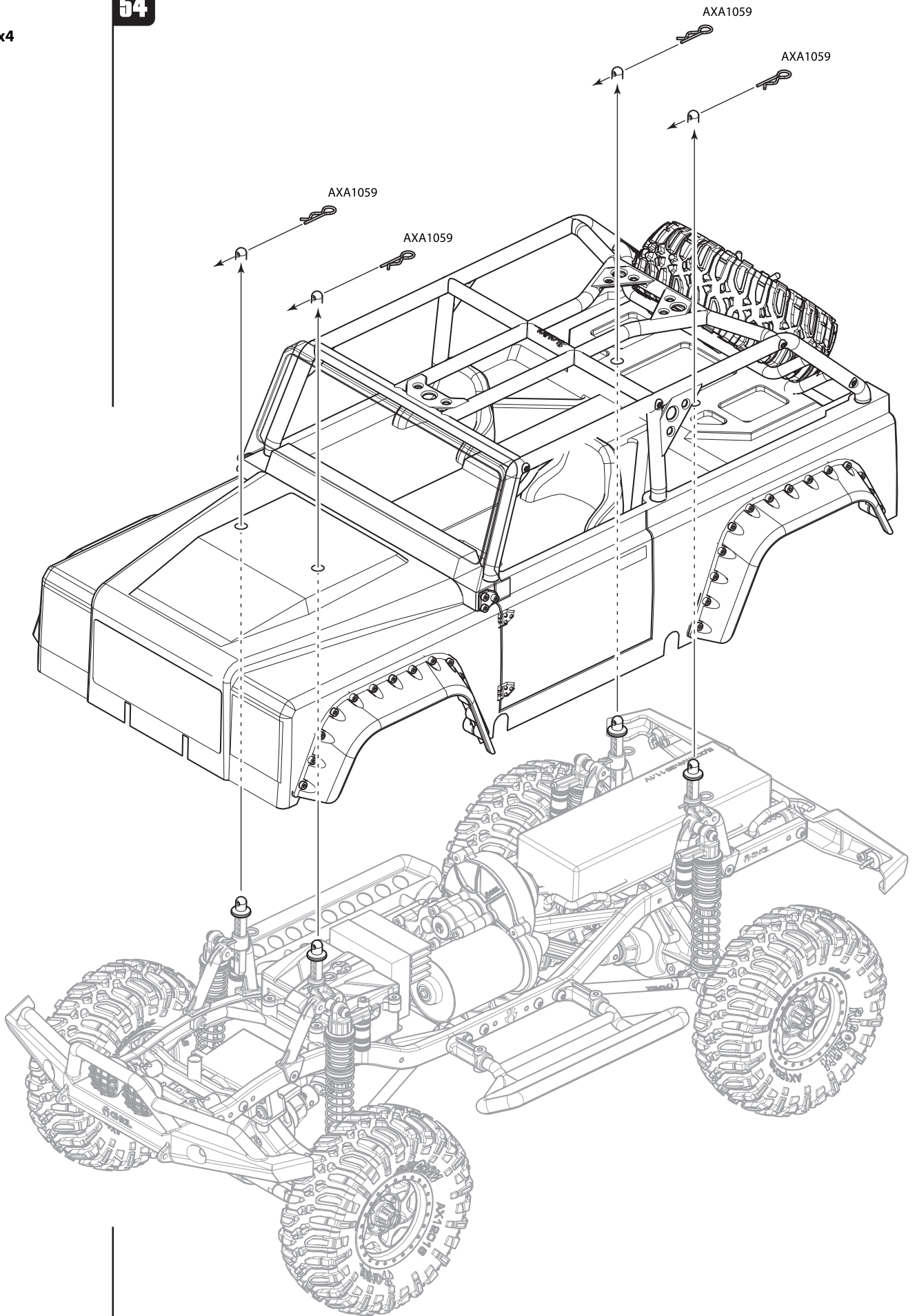
**53**





**AXA1059** x4  
6mm Body Clip

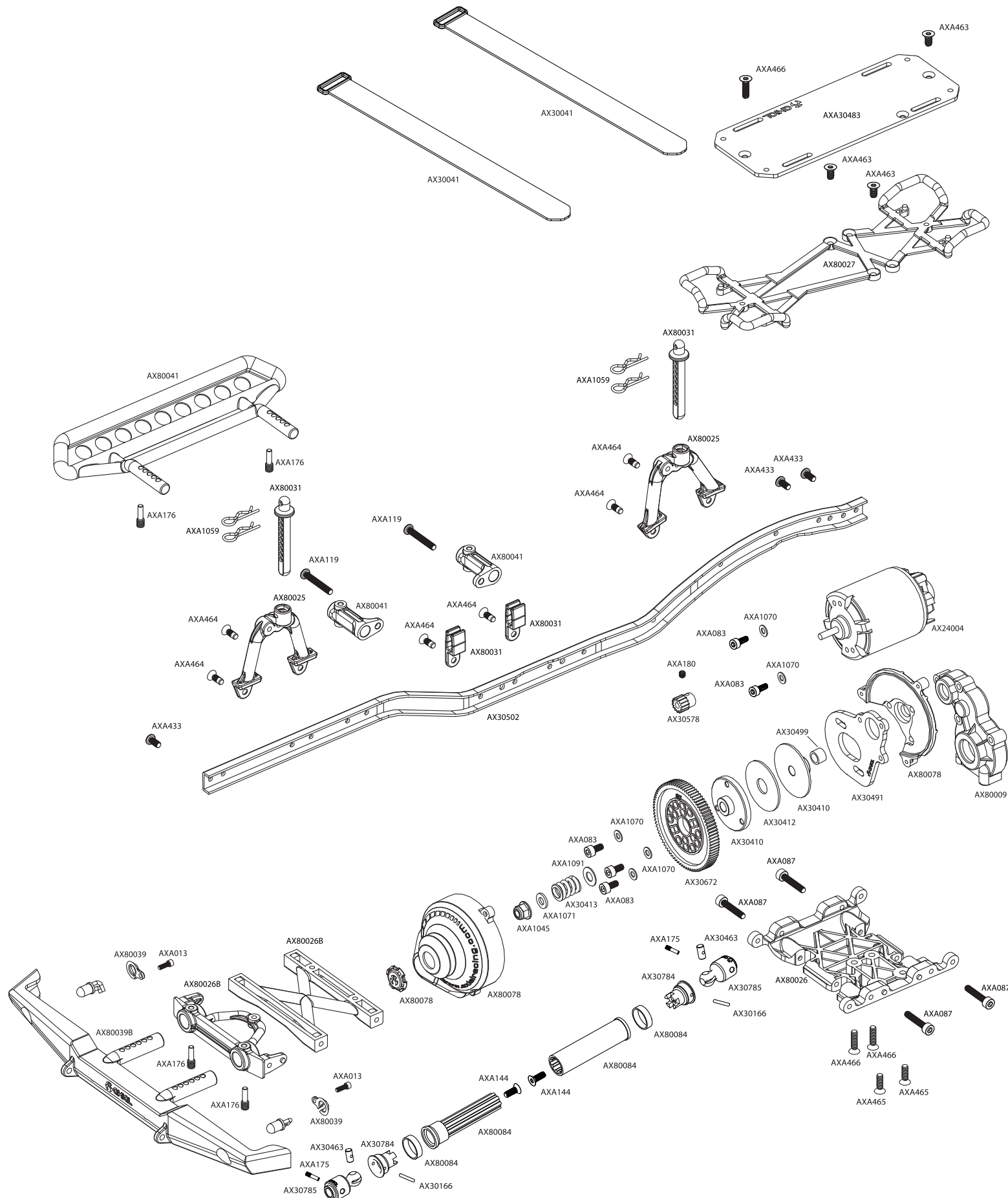
**54**

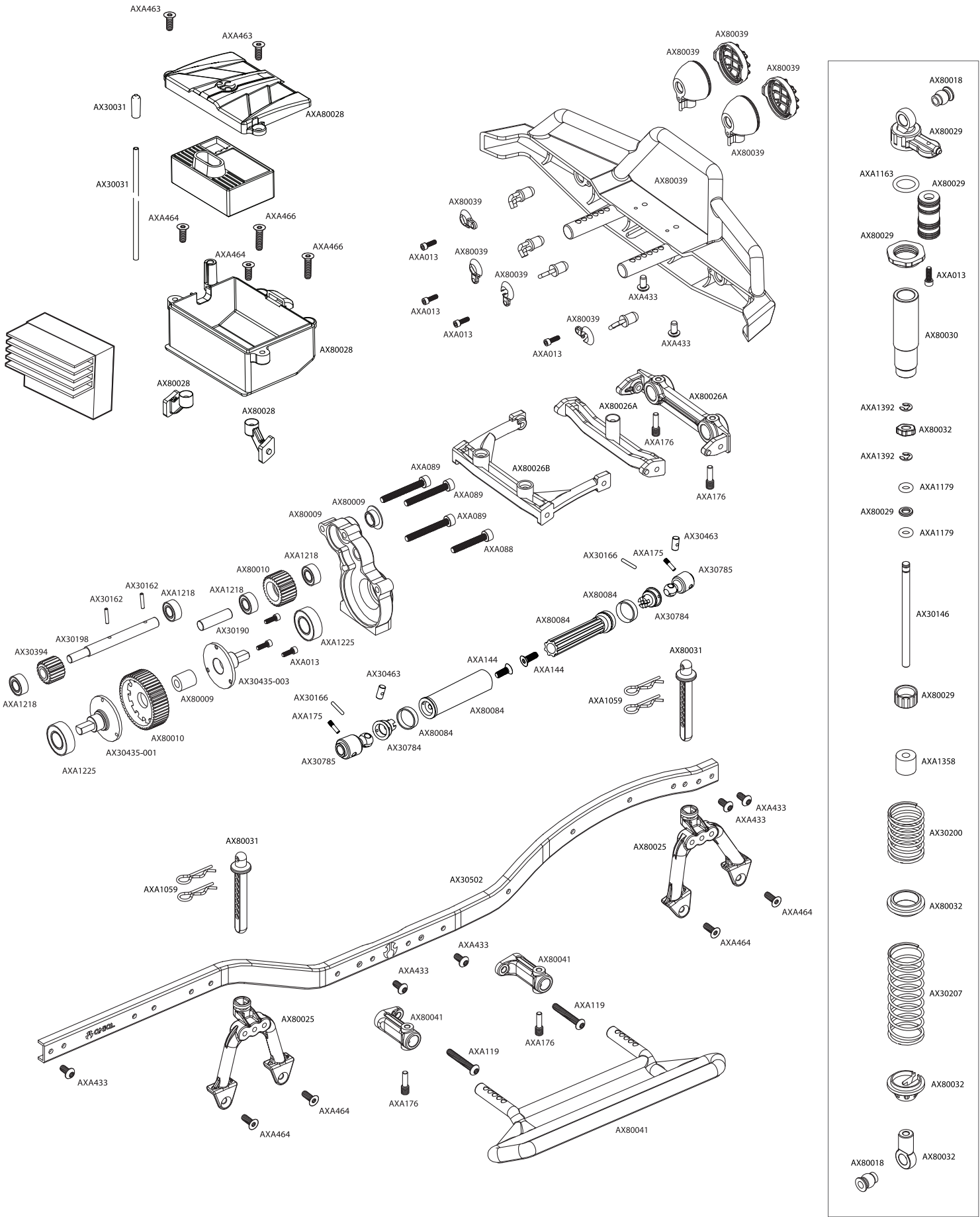




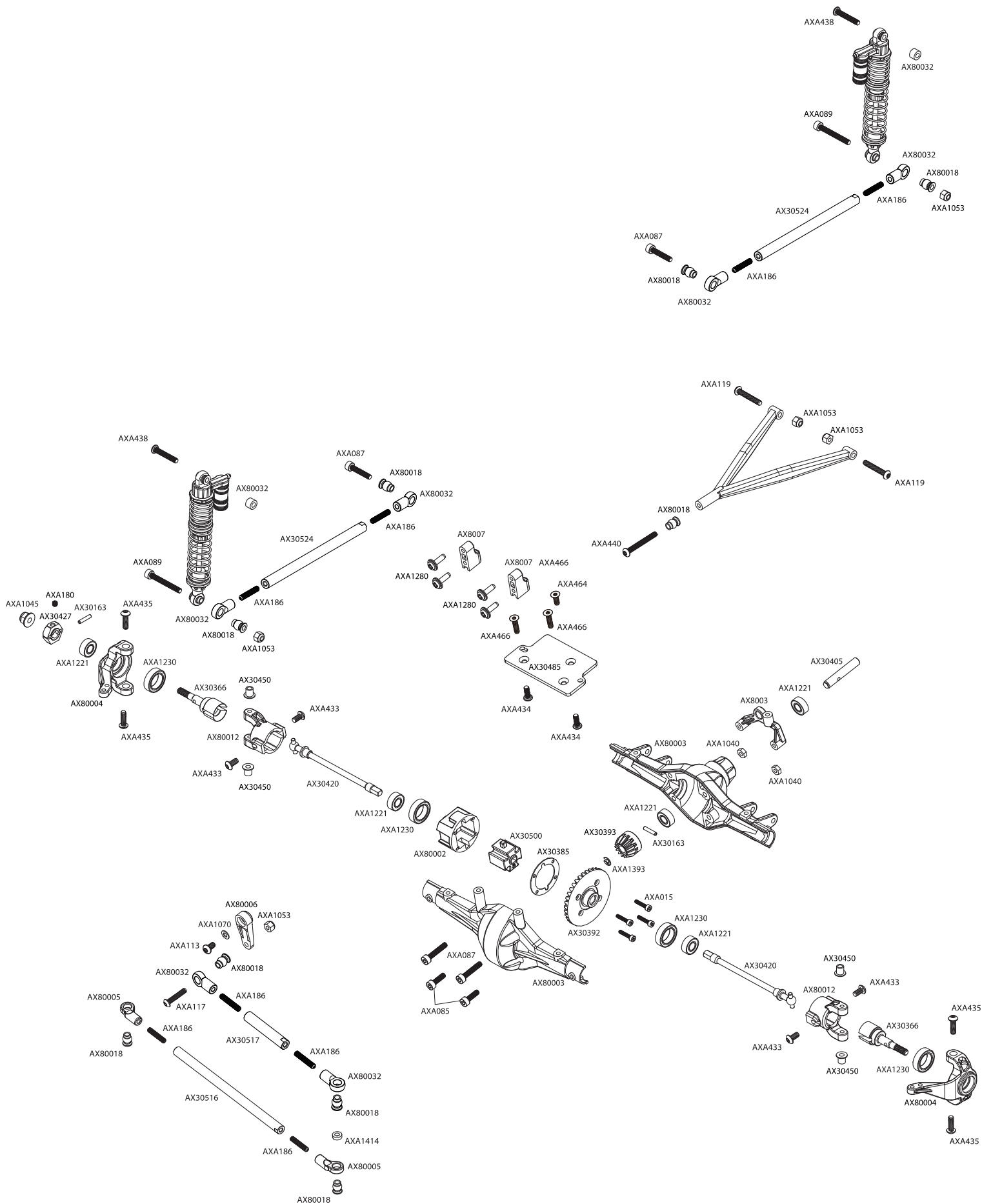


Exploded View / Explosionsansicht / Vue éclatée

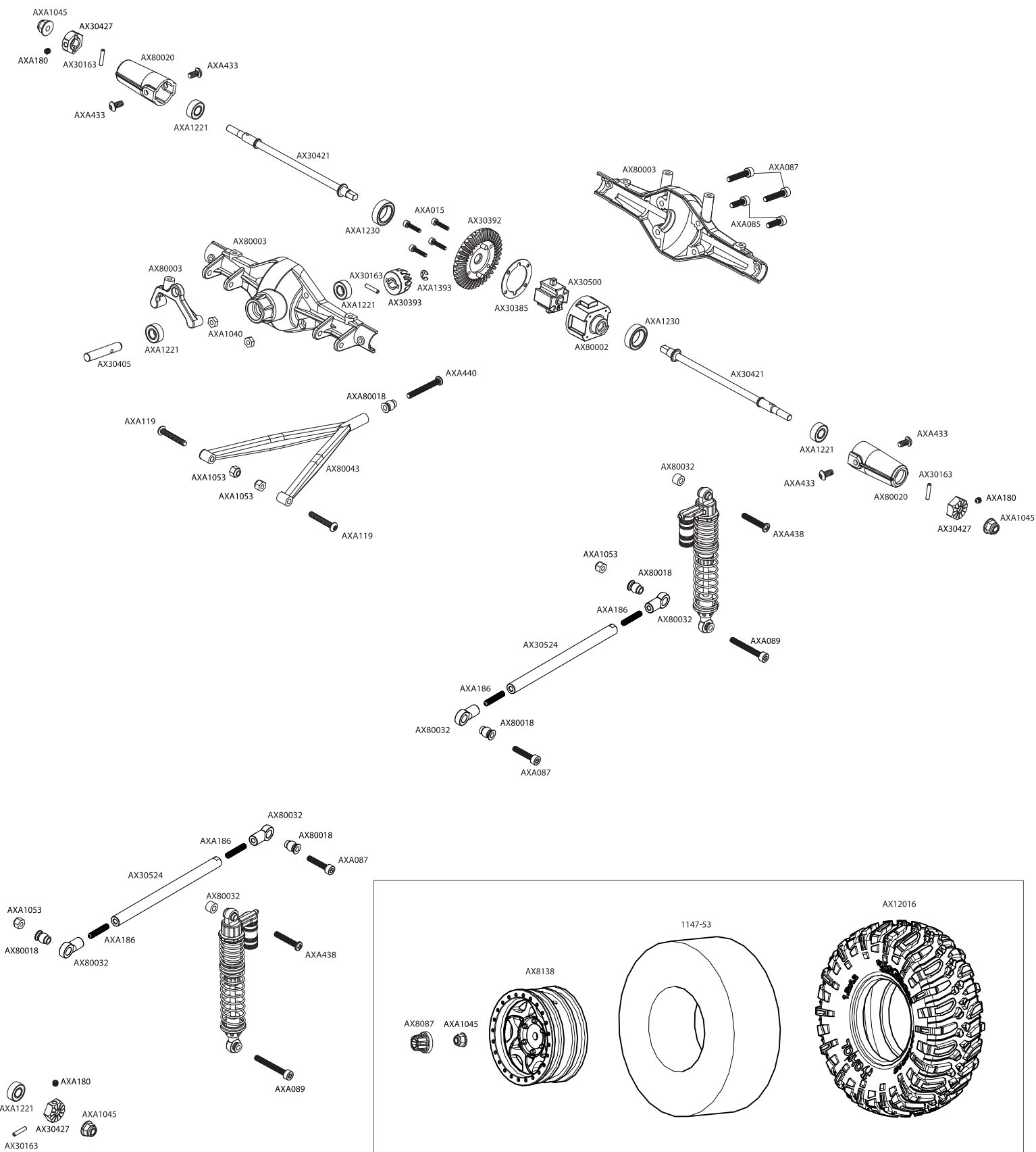




Exploded View / Explosionsansicht / Vue éclatée







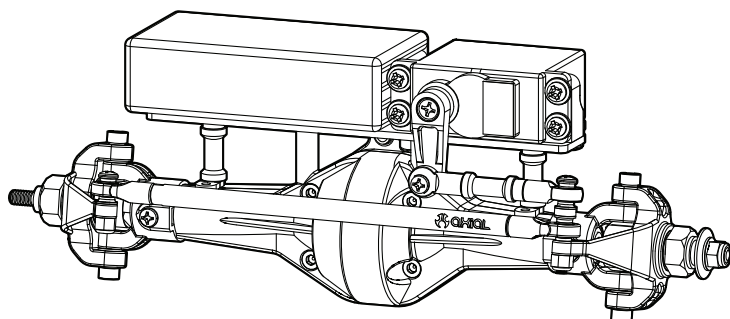
## Batteries / Batterien

### Optional Battery Mounting

The standard 7.2V stick pack can be mounted on the battery/radio tray as shown in the instructions. However this is not the most ideal mounting place for competitive rock crawling since it places most of the weight higher in the chassis. You can also use smaller packs (LiPo, Lithium Ion, receiver packs, etc.) that offer a much lower weight. Ideally you want the bulk of the weight to be over the front axle. If you plan on competing or simply want to improve the performance of your AX10 Scorpion it is recommended to relocate your batteries over the front axle. You can mount the battery pack on top of the steering servo using Velcro, plastic zip ties, or strapping tape. You can also mount the battery pack using the optional AX10 Scorpion Battery/Servo Plate (AX30486) as shown.

### Optionale Akkubefestigung

Der normale 7,2V Stick Pack kann wie beschrieben auf die Elektronik Grundplatte montiert werden. Diese Position ist nicht der idealste Ort, da das Gewicht höher als das Chassis ist. Sie können auch kleinere Packs verwenden (LiPo, Lithium Ion, Empfängerpacks...) die leichter sind. Im Idealfall kommt das Gewicht über die Vorderachse. Wenn Sie ein Rennen mitfahren, oder die Leistung Ihres Wagens optimieren wollen wird empfohlen, die Akkus über die Vorderachse zu montieren. Sie können den Akkupack auf dem Lenkservo mit Klettverschluss, Kabelbinder oder Klebeband montieren. Sie können auch den Akku mit dem Option Part AX30486 nach Bedarf montieren.



visit [www.maxamps.com](http://www.maxamps.com) for a complete selection of batteries and chargers specifically for the AX10 Scorpion.

## Wheels - Tires / Räder - Ermüdet

The AX10 Scorpion is set up to be competitive right out of the box, however terrain, weather and driving style all affect the performance of the chassis. You can fine tune performance of your AX10 Scorpion by adding weight, trimming the inner foam, and tuning your tires.

Der AX10 Skorpion ist konstruiert, um aus der Schachtel konkurrenzfähig zu sein, jedoch beeinflussen Gelände, Wetter und Fahrstil die Leistung vom Chassis. Sie können die Leistung Ihres AX10 Skorpion durch hinzufügen von Gewichten, Trimmen der Reifeneinlage und der Reifenabstimmung einstellen.

### Adding Weight / Addiergewicht

You can add weight to the front axle to improve traction. Most users will use stick on wheel weights that fit inside the tire and mount to the wheel, but you can also use Airsoft pellets or BB's. You will have to experiment to determine how much weight to add.

Sie können an der Vorderachse Gewicht hinzufügen um die Traktion zu verbessern. Die meisten Fahrer verwenden aufsteckbare Rädergewichte die innerhalb des Reifens montiert werden, Sie können aber auch Airsoft Kugeln oder BB's verwenden. Sie werden experimentieren müssen, um zu bestimmen, wieviel Gewicht Sie hinzufügen müssen.

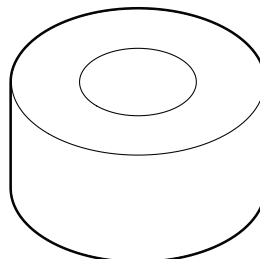


### Tire Flex / Reifen Flex

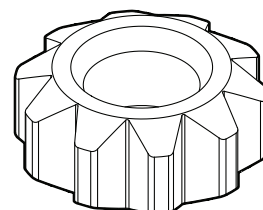
You can adjust the amount of tire flex you get by trimming your inner foam. Visit [www.rccrawler.com](http://www.rccrawler.com) to see all the choices you have before trimming your inner foams.

Sie können die Eigenschaften des Reifens durch trimmen der Reifeneinlage ändern. Besuchen Sie [www.rccrawler.com](http://www.rccrawler.com), um Möglichkeiten für diese Änderung zu sehen, bevor Sie die Einlage bearbeiten.

Standard



Trimmed



**Shock Absorbers / Dämpfer**

Proper building, maintenance, and tuning of your shocks will enhance the performance of your AX10 Scorpion. Be sure to inspect the shocks regularly for any sign of wear or damage and replace parts as needed. Tune your shocks to enhance the performance of your AX10 Scorpion using the tips provided below.

Ordnungsgemäßer Zusammenbau, Wartung und Abstimmung der Dämpfer wird die Leistung Ihres AX10 Scorpion erhöhen. Prüfen Sie unbedingt regelmäßig die Dämpfer auf Verschleiß und ersetzen Sie die nötigen Teile. Stimmen Sie Ihre Dämpfer ab wie untenstehend beschrieben, um die Leistung des Wagens zu erhöhen.

**Shock Oil / Dämpferöl**



Thinner / Dünner	Thicker / Dicker
Softer damping More traction Quicker weight transfer  Weichere Dämpfung Mehr Griff Schnellere gewichtsverlagerung	Stiffer damping Slower chassis weight transfer Reacts slower to input  Härtere Dämpfung Langsamere Gewichtsverlagerung Auto reagiert langsamer auf Steuerbefehle

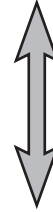


**Shock Spring / Dämpferfeder / Ressort d'amortisseur**

**Softer / Weicher**

More Chassis Roll  
 Mehr rollbewegung des chassis

**Soft**



**Firm**

Less Chassis Roll  
 Weniger rollbewegung des chassis  
 Moins de roulis du châssis

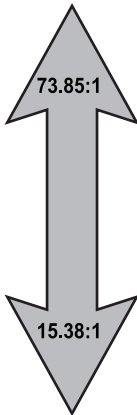
**Gear Ratio / Getriebeübersetzung**

Use this equation to calculate the final drive ratio.  
**Final Drive Gear Ratio = 1 / ((pinion/Spur) X .13)**

Mit dieser Gleichung können Sie die Gesamtübersetzung berechnen.

**Gesamtübersetzung = 1 / ((pinion/Spur) X .13)**

**Slower - More Torque**  
**Langsamer - Mehr Kraft**



**Faster - Less Torque**  
**Schneller - Weniger Kraft**

		48 Pitch									
		Spur									
		70	72	75	78	81	85	87	90	93	96
Pinion	10								69.23	71.54	73.85
	11								62.94	65.03	67.13
	12							55.77	57.69	59.62	61.54
	13							51.48	53.25	55.03	56.80
	14						46.70	47.80	49.45	51.10	52.75
	15						43.59	44.62	46.15	47.69	49.23
	16						40.87	44.62	43.27	44.71	46.15
	17						36.32	39.37	40.72	42.08	43.44
	18					34.62	34.41	37.18	38.46	39.74	41.03
	19					32.79	34.41	35.22	36.44	37.65	38.87
	20					31.15	32.69	33.46	34.62	35.77	36.92
	21				28.57	29.67	31.14	31.87	32.97	34.07	35.16
	22				27.27	28.32	29.72	30.42	31.47	32.52	33.57
	23				26.09	27.09	28.43	29.10	30.10	31.10	32.11
	24			24.04	25.00	25.96	27.24	27.88	28.85	29.81	30.77
	25			23.08	24.00	24.92	26.15	26.77	27.69	28.62	29.54
	26			22.19	23.08	23.96	25.15	25.74	26.63	27.51	28.40
	27		20.51	21.37	22.22	23.08	24.22	24.79	25.64	26.50	27.35
	28		19.78	20.60	21.43	22.25	23.35	23.90	24.73	25.55	26.37
29	18.57	19.10	19.89	20.69	21.49	22.55	23.08	23.87	24.67	25.46	
30	17.95	18.46	19.23	20.00	20.77	21.79	22.31	23.08	23.85	24.62	
31	17.37	17.87	18.61	19.35	20.10	21.09	21.59	22.33	23.08	23.82	
32	16.83	17.31	18.03	18.75	19.47	20.43	20.91	21.63	22.36	23.08	
33	16.32	16.78	17.48	18.18	18.88	19.81	20.28	20.98	21.68	22.38	
34	15.84	16.29	16.97	17.65	18.33	19.23	19.68	20.36	21.04	21.72	
35	15.38	15.82	16.48	17.14	17.80	18.68	19.12	19.78	20.44	21.10	

# Parts List

Part #	Description	Part #	Description
AX08138	1.9 Walker Evans Street Wheel - Black (2pcs)	AX80078	Transmission Spur Gear Cover
AX12016	1.9 Ripsaw Tires - R35 Compound (2pcs)	AX80084	WB8 Driveshaft
AX30031	Antenna	AX8079	Axial Hub Cover Set - Black (4pcs)
AX30041	Velcro Strap 15x160mm	AXA0113	M3x6mm Hex Socket Button Head (Black) (10pcs)
AX30146	Shock Shaft 3x50 (2pcs)	AXA013	M2x6mm Cap Head (Black Oxide)
AX30162	Pin 1.5x8mm (6pcs.)	AXA015	M2x10mm Cap Head (Black Oxide)
AX30163	Pin 2.0x10 (6pcs.)	AXA0175	Screw Shaft M3x2.5x11mm (10pcs)
AX30166	Pin 1.5x11mm (6pcs)	AXA0414	M2.6x10mm Hex Socket Tapping Flat Head (Black) (10pcs)
AX30190	Shaft 5x18 (2pcs.)	AXA083	M3x6mm Cap Head (Black Oxide)
AX30198	Slipper Drive gear Shaft 5x53.5	AXA085	M3x10mm Cap Head (Black Oxide)
AX30200	Spring 12.5x20mm 3.6 lbs/in - Super Soft (Red)	AXA087	M3x16mm Cap Head (Black Oxide)
AX30207	Spring 12.5x40mm 4.08 lbs/in - Medium (Green)	AXA088	M3x20mm Cap Head (Black Oxide)
AX30366	Axle 5x35mm	AXA089	M3x25mm Cap Head (Black Oxide)
AX30385	Diff Gasket 16x25x0.5mm (2pcs)	AXA091	M3x30mm Cap Head - Black (10pcs)
AX30392	Bevel Gear Set (38/13)	AXA1040	M3 Thin Hex Nut (BLACK)
AX30394	20T Drive Gear	AXA1045	M4 Nylon Lock Nut (Black)
AX30408	Input Shaft 5x29mm (2pcs)	AXA1052	M3 Thin Nylon Locking Hex Nut (Black)
AX30410	Inner Slipper Plate	AXA1053	M3 Nylon Locking Hex Nut (BLACK)
AX30411	Outer Slipper Plate	AXA1059	6mm Body clip (Black)
AX30412	Slipper pad 27x8x1mm	AXA1070	Washer 3x6x0.5
AX30413	Slipper spring 8.5x12 165 lbs/in - Black (2pcs)	AXA1071	Washer 4x8x0.5mm
AX30420	Solid Axle Dogbone 6x74mm	AXA1091	Washer 5x10x.5 (Black) (10pcs)
AX30421	Straight Axle 6x104.50mm (2pcs)	AXA1163	O-Ring 7x1mm
AX30427	Axial Narrow 12mm Aluminum Hub - Black (4pcs)	AXA117	M3x15mm Hex Socket Button Head (Black) (10pcs)
AX30435	Steel Outdrive Shaft Set (2pcs)	AXA1179	O-Ring 2.5x1.5mm (10pcs)
AX30450	Flange Pipe 3x4.5x5.5 (4pcs.)	AXA119	M3x20mm Hex Socket Button Head (Black) (10pcs)
AX30463	WB8 Universal Joint Rebuild Kit (2pcs)	AXA120	M3x25mm Hex Socket Button Head (Black) (10pcs)
AX30483	AX10 Scorpion Radio Plate	AXA1218	Bearing 5x10x4mm
AX30485	AX10 Scorpion Servo Plate	AXA1221	Bearing 5x11x4mm
AX30491	AX10 RTR Motor Plate	AXA1225	Bearing 8x16x5mm
AX30499	Transmission Spacer 5x6.9x4.8mm - Grey (2pcs)	AXA1230	Bearing 10x15x4mm
AX30500	Heavy Duty Locker (2pcs)	AXA1280	M3x10mm Servo Flange Screw
AX30502	SCX10 Chassis Rail Set (2pcs)	AXA1358	Shock Damper 3x7x8 (10pcs)
AX30517	Threaded Aluminum Pipe 6x33mm - Grey (2pcs.)	AXA1392	E2 e-clip (10pcs)
AX30524	Threaded Aluminum Pipe 6x91mm - Grey (2pcs)	AXA1393	E2.5 e-clip (10pcs)
AX30578	Pinion 48DP 20T	AXA1414	2x6mm Spacer - Grey (6pcs)
AX30672	Spur 48DP 87T	AXA144	M3x8mm Hex Socket Flat Head (Black) (10pcs)
AX30784	WB8 Driveshaft Coupler Set	AXA176	Screw Shaft M3x2.5x12mm (10pcs)
AX4010	Axial Dingo Truck Body - .040" uncut (Clear)	AXA180	M3x3mm Set Screw (Black Oxide) (10pcs)
AX80002	Diff Case -Small	AXA186	M3x16mm Set Screw (Black) (10pcs)
AX80003	Solid Axle Set	AXA433	M3x6mm Hex Socket Tapping Button Head (Black) (10pcs)
AX80004	Hub Set	AXA434	M3x8mm Hex Socket Tapping Button Head (Black) (10pcs)
AX80005	Linkage Set	AXA435	M3x10mm Hex Socket Tapping Button Head (Black) (10pcs)
AX80006	Servo Set	AXA436	M3x12mm Hex Socket Tapping Button Head (Black) (10pcs)
AX80009	Transmission Set	AXA438	M3x18mm Hex Socket Tapping Button Head (Black) (10pcs)
AX80010	Gear Set	AXA440	M3x25mm Hex Socket Tapping Button Head (Black) (10pcs)
AX80011	Drive Shaft Set	AXA463	M3x6mm Hex Socket Tapping Flat Head (Black) (10pcs)
AX80012	C Hub Carrier Set	AXA464	M3x8mm Hex Socket Tapping Flat Head (Black) (10pcs)
AX80018	Hardware Parts Tree	AXA465	M3x10mm Hex Socket Tapping Flat Head (Black) (10pcs)
AX80020	Straight Axle Adapter Parts Tree	AXA466	M3x12mm Hex Socket Tapping Flat Head (Black) (10pcs)
AX80025	SCX10 Shock Hoops Parts Tree		
AX80026	SCX10 Frame Brace Set		
AX80027	SCX10 Battery Tray Holder		
AX80028	SCX10 Radio Box Parts Tree		
AX80029	Shock Cap Parts Tree		
AX80030	61-90 Shock Body Set		
AX80031	Body Mount Parts Tree		
AX80032	Shock Parts		
AX80039A	1/10th Scale Front Plate Bumper Set		
AX80039B	1/10th Scale Rear Plate Bumper Set		
AX80040	1/10th Scale Fender Flare Set (2pcs)		
AX80041	1/10th Scale Rock Rails Set (2pcs)		
AX80042	1/10th Scale Roll Cage		
AX80043	SCX10 RTR Links Parts Tree		

### Option parts/upgrades

AX24004	Axial 27T Electric Motor
AX04026	Hardline Crawler Body - .040" (Clear)
AX04028	Wraith Interior Set - .040" (Clear)
AX24007	Axial 55T Electric Motor
AX24206	2.4GHz Radio System (2 Channel) (AX-3, AR-3)
AX24251	Axial NVS - Night Visions System
AX24252	Axial Double LED Light String (White LED)
AX24253	Axial Double LED Light String (Red LED)
AX24254	Axial Double LED Light String (Orange LED)
AX24255	Axial Single LED Light String (White LED)
AX24256	Axial 5 LED Light String (White LED)
AX24257	Simple LED Controller w/LED lights



## Option parts/upgrades

Part #	Description	Part #	Description
AX24259	Axial AE-2 Forward/Reverse ESC w/ Drag Brake	AX4010	Axial Dingo Truck Body - .040" uncut (Clear)
AX30200	Spring 12.5x20mm 3.6 lbs/in - Super Soft (Red) - (2pcs)	AX4010R	Axial Dingo Truck Body - .040" uncut (Clear) - Body Only
AX30201	Spring 12.5x20mm 4.32 lbs/in - Soft (White) - (2pcs)	AX4010R	Axial Dingo Truck Body - .040" uncut (Clear) - Body Only
AX30202	Spring 12.5x20mm 5.44 lbs/in - Medium (Green) - (2pcs)	AX4011	CF-100 Interior Set (clear)
AX30203	Spring 12.5x20mm 6.53 lbs/in - Firm (Yellow) - (2pcs)	AX4014	Axial XC-1 Rock Crawler Body - .040" (Clear)
AX30204	Spring 12.5x20mm 7.95 lbs/in- Super Firm (Blue) - (2pcs)	AX4016	34 Rat Rod Truck (Clear)
AX30205	Spring 12.5x40mm 2.7 lbs/in - Super Soft (Red) - (2pcs)	AX4025	Axial Trail Honcho Truck Body - .040" uncut (Clear) w/Molded Rear Cage
AX30206	Spring 12.5x40mm 3.6 lbs/in - Soft (White) - (2pcs)	AX4025	Axial Trail Honcho Truck Body - .040" uncut (Clear) w/Molded Rear Cage
AX30207	Spring 12.5x40mm 4.08 lbs/in - Medium (Green) - (2pcs)	AX4025R	Axial Trail Honcho Truck Body - .040" uncut (Clear) - Body Only
AX30208	Spring 12.5x40mm 5.44 lbs/in - Firm (Yellow) - (2pcs)	AX4025R	Axial Trail Honcho Truck Body - .040" uncut (Clear) - Body Only
AX30209	Spring 12.5x40mm 6.81 lbs/in- Super Firm (Blue) - (2pcs)	AX80039A	1/10th Scale Front Plate Bumper Set
AX30395	Heavy Duty Bevel Gear Set	AX80039B	1/10th Scale Rear Plate Bumper Set
AX30460	AX10 Scorpion Universal Joint Axle (2pcs)	AX80040	1/10th Scale Fender Flare Set
AX30461	AX10 Scorpion Universal Joint Axle Shaft (2pcs)	AX80041	1/10th Scale Rock Rails Set
AX30462	AX10 Scorpion Universal Joint Rebuild kit (2pcs)	AX80042	1/10th Scale Roll Cage
AX30464	AX10 Scorpion Universal Set (2pcs)	AX8080	Axial Hub Cover Set - Satin Chrome (4pcs)
AX30492	AX10 Scorpion Rear Steer Kit	AX8087	Axial 1.9 8 Hole Beadlocks - Black (2pcs)
AX30494	Aluminum Rear Axle Lockout (2pcs)	AX8088	Axial 1.9 8 Hole Beadlocks - Satin Chrome (2pcs)
AX30495	Aluminum C Hub Carrier - Black (2pcs)	AX8119	Axial 1.9 Beadlock Ring - Green (2pcs)
AX30496	Aluminum Knuckle - Black (2pcs)	AX8122	Axial 1.9 Beadlock Ring - Grey (2pcs)
AX30578	Pinion 48DP 20 T	AX8123	Axial 1.9 Beadlock Ring - Orange (2pcs)
AX4000	Axial War Wagon Truck Body .060 Pre-Cut Clear	AX8124	Axial 1.9 Rock Beadlock Ring -Green (2pcs)
AX4001	Axial Baja Buzzard Truck Body .060 Pre-Cut Clear	AX8127	Axial 1.9 Rock Beadlock Ring - Grey (2pcs)
AX4002	Axial Diablo Truck Body .060 Pre-Cut Clear	AX8128	Axial 1.9 Rock Beadlock Ring - Orange (2pcs)
AX4004	Axial B-17 Betty Truck Body - .060 Pre-Cut (Clear)	AXA1105	Cone Washer 3x6.9x2mm - Grey (6pcs)
AX4009	Axial Trail Ranger Truck Body - .040" (Clear)	AXA1331	Flanged Ball 3x5.8x7mm (6pcs)

## Warranty Info

### Axial Limited Warranty (USA)

Your Axial product is warranted to be free of defects in materials and workmanship when new. This warranty does not cover damages due to normal wear and tear, user's failure to perform routine maintenance, user error of assembly or installation, user modifications, addition of aftermarket parts or option parts. This warranty lasts as long as the original purchaser owns the product, and is not transferable (Verified by dated itemized sales receipt). In the event of a defect under this warranty, Axial will, at our discretion, repair or replace the product, provided our inspection indicates that an original defect exists. Axial reserves the right to replace any product which is no longer available with a product of comparable value and function. If Axial determines the repair is not covered under warranty guidelines, there could be a charge applied for the repair and return shipping charges.

### International Customers Warranty

Please return product to the dealer where the purchase was made. If your Axial product purchase was made through an on-line retailer, any warranty issues must be taken care of by that retailer. Axial assumes no responsibility for Axial products sold internationally by on-line retailers.

### Service

If you need service on your Axial product here are some simple steps to follow when sending in product in for Warranty/ Repair.

#### STEP 1:

Contact Axial Customer Service at 949-600-8642 Ext: 206 to receive a Return Merchandise Number (RMA#). **Note:** Axial requires the RMA# to be placed on the return merchandise box when shipped to Axial.

#### STEP 2:

Please write a short note explaining the issue you experienced with the product.

#### STEP 3:

Include your return address with a daytime phone number and /or e-mail address.

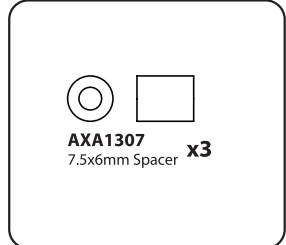
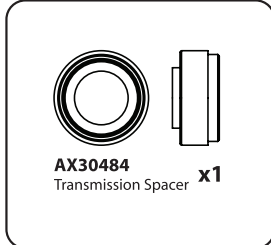
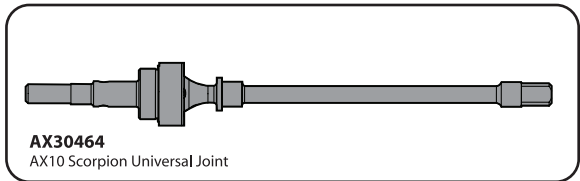
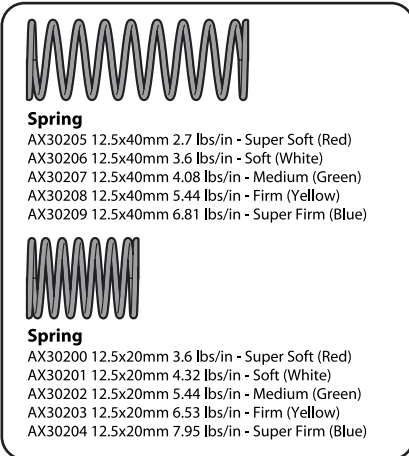
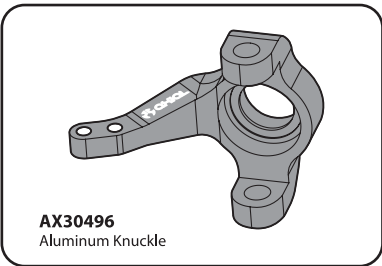
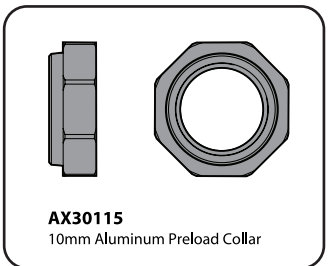
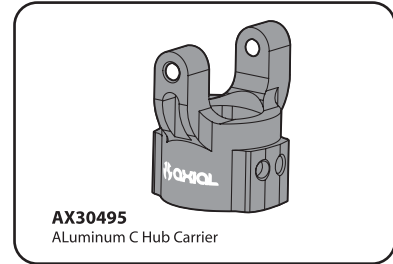
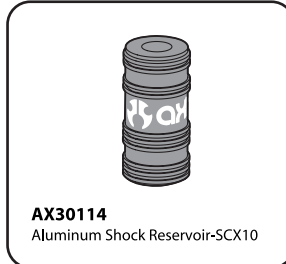
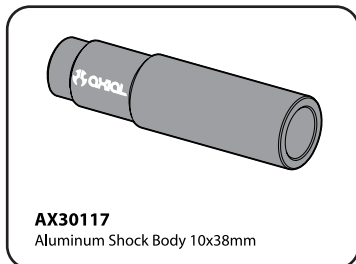
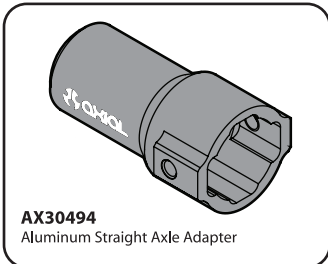
#### STEP 4:

Please include a Money Order in the amount \$10.00 made payable to Axial for return shipping costs although If product is found to be under Axial Warranty coverage, the \$10.00 will be refunded to you.

**PLEASE NOTE:** Tuning issues are not covered under the Axial Warranty and shipping fee's do apply.

Please allow 5-10 working days for product to be returned. Axial ships using United Postal Service Priority mail or UPS Ground. Any expedited shipping must be arranged and prepaid by customer. Axial will not be responsible for lost or damaged packages.

Option Parts





DESERT RUNNER  
CRAWLER  
TRAIL RUNNER  
ROCK RACER  
MUD BOGGER

TOUGH TRUCK  
FORMULA OFF-ROAD  
TIERRA DEL SOL  
MUDDY MOTORPARK  
OVERLAND ADVENTURE  
HAMMERS  
BAJA  
DIRTY SOUTH CRAWLIN'  
SAFARI  
SAND DUNE BLAZING  
MUD BOGGING  
ROCK RACING  
OVERLAND EXPEDITIONS  
BACKYARD BASHING  
DESERT EXPLORATION  
MUD  
SNOW  
SAND  
FOREST  
DESERT  
URBAN

READY-TO-RUN

# WRAITH™

1/10th SCALE ELECTRIC 4WD ROCK RACER

ANY CATEGORY, EVERY STYLE, ALL TERRAIN.  
THE AXIAL WRAITH™ IS THE MOST VERSATILE PLATFORM; MAKING IT FUN WHEREVER YOU GO.



See the Wraith™  
in action!



OFF ROAD MOUNTAINOUS ROCKY DESERT

DO ANYTHING,  
GO ANYWHERE.™



**axial**®  
www.axialracing.com



DO ANYTHING, GO ANYWHERE.™



8 Goodyear  
Suite 125  
Irvine, CA 92618

AX90021-1001

[www.axialracing.com](http://www.axialracing.com)