

Driver	David Martin		
Date	07-2011		
Track			
Location	vila real		
Condition	Asphalt	Carpet	Other:
Size	Technical	Med	Fast
Traction	Low	Medium	High
Temperature	Air:	Track:	

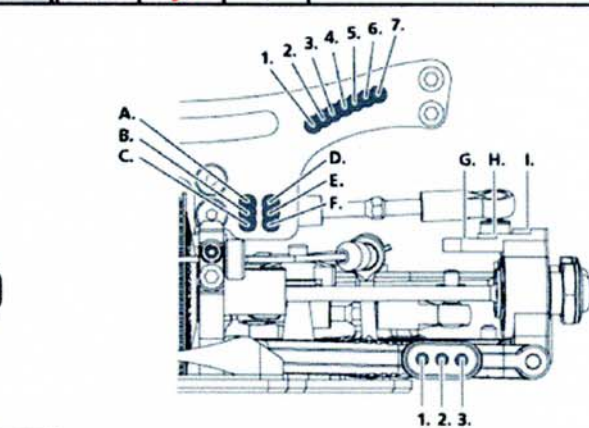
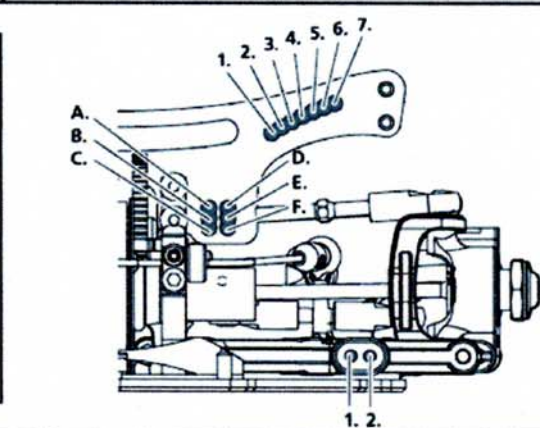
Adjustments		Front					Rear				
Camber (°)		1.5					2.0				
Caster (°)		2	3	✓	5	Other:					
Toe (°)		0.5					3.0				
Ride height (mm)		5.0mm					5.5mm				
Suspension mount (°)		FF: 2		FR: 2			RF: 3		RR: 3		
Rollcenter (mm) FF		0	✓	1.5	2.5	Other:	0	✓	1.5	2.5	Other:
Rollcenter (mm) FR		0	1.5	2.5	Other:	2.0	0	1.5	2.5	Other:	1.0
Wheelbase (mm)		+2	+1	0	✓	-2	Other:	+2	+1	0	-1
Droop (mm)		6					5				
Transmission		Oneway		Spool		Diff					
Anti-Roll Bar		None		1.4 mm		Color: green	None		1.3 mm		Color: purple

Shocks		Front		Rear			
Spring		robitronic blue		robitronic blue			
Preload (mm)							
Oil		40wt		40wt			
Piston		2 holes	3 holes	Other: tamiya	2 holes	3 holes	Other: tamiya

Shock Position		Front							Rear								
Arm		1	✓	2					1	2	✓	3					
Tower		1	2	✓	3	4	5	6	7	1	✓	2	3	4	5	6	7

Upper Suspension		Front						Rear								
Washer Inboard (mm)																
Hole Suspension Plate		✓	B	C	D	E	F	✓	B	C	D	E	F			
Washer Rear Hub (mm)																
Hole Rear Hub								G	✓	I						

**Comments**



Steering		Front					
Ball End - Position Steering Plate		1	2	✓	3	4	5
Position Knuckle Arms		✓	2				
Washer under Ball End Knucke (mm)							

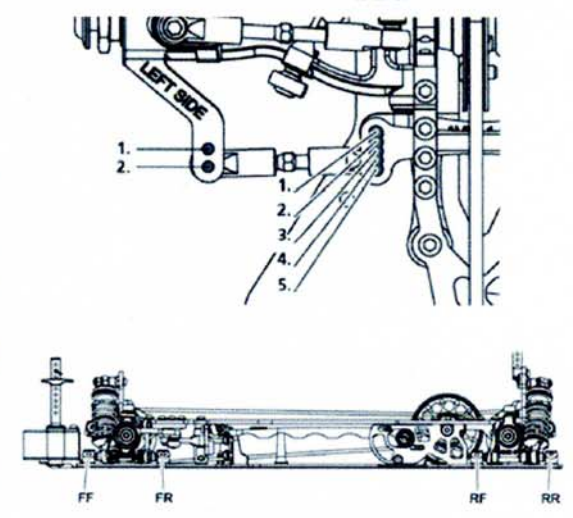
Tires	
Tire	iaco blue
Insert	
Rim	
Additive	

Chassis	
Low Desk	2.5mm 3.0mm
Top Desk	2.0mm 2.5mm

Motor & Battery		Transmission (IR:1.77)	
Motor	4.5	Pinion	20
Timing	0	Spur	90
Brush		Ratio	7.97
Battery		Pitch	48P 64DP

Body & Wing	
Body	mazda speed
Wing	

**Comments** Am0 (@)PetitRC.com



**Comments**