



# PROLOGS

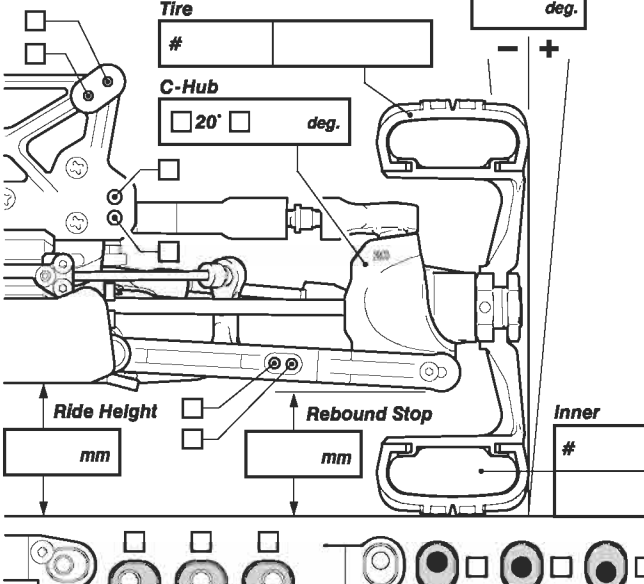
1/8 OFFROAD BUGGY

Setup Sheet / Setup Blatt / Feuille de r glage

 Driver  /  /   
 Track

|             |  |                              |           |   |                              |   |                                |                              |       |
|-------------|--|------------------------------|-----------|---|------------------------------|---|--------------------------------|------------------------------|-------|
| Engine      | Gasket   | mm                           | Plug      | Muffler   | Fuel                         |   |                                |                              |       |
| Clutch bell | <input type="checkbox"/> 13T <input type="checkbox"/> 14T <input type="checkbox"/> Other | T                            | Spur gear | <input type="checkbox"/> 44T <input type="checkbox"/> Other | T                            | Shoes <input type="checkbox"/> 3 <input type="checkbox"/> 4 | Spring                         | mm                           |       |
| Diff        | Front: <input type="checkbox"/>  | <input type="checkbox"/> LSD | Oil #     | Center: <input type="checkbox"/>                            | <input type="checkbox"/> LSD | Oil #   | Rear: <input type="checkbox"/> | <input type="checkbox"/> LSD | Oil # |

### Front Suspension



Tire #

C-Hub  20'  deg.

Ride Height  mm

Rebound Stop  mm

Inner #

Camber deg.  -  +

Front Toe angle  deg.  -  +

Caster angle  mm

Steering Slider  A  B

Anti-roll bar  mm  2.5 mm

### Front Shock

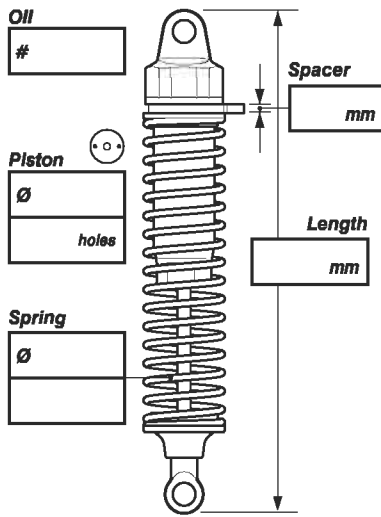
Oil #

Piston  holes

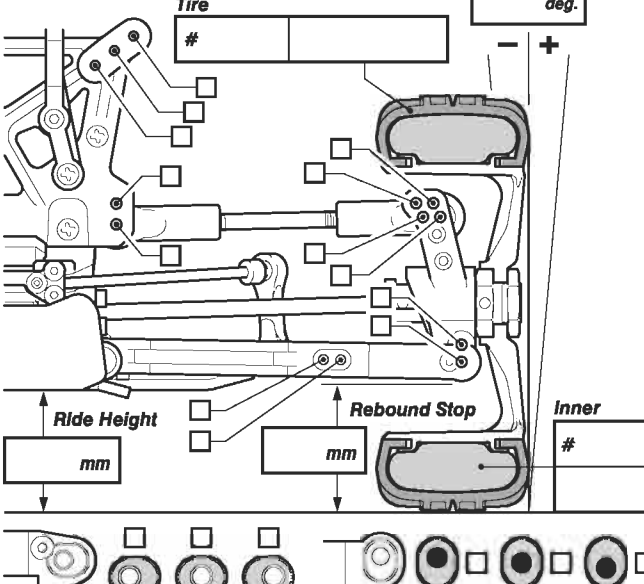
Spring  holes

Spacer  mm

Length  mm



### Rear Suspension



Tire #

Ride Height  mm

Rebound Stop  mm

Inner #

Camber deg.  -  +

Rear Toe angle  deg.  -  +

Wing Position

Anti-roll bar  mm  2.8 mm

### Rear Shock

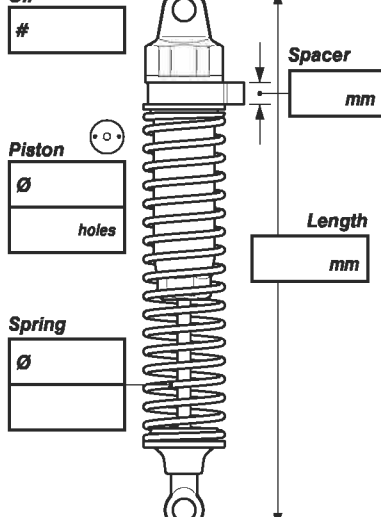
Oil #

Piston  holes

Spring  holes

Spacer  mm

Length  mm



**Notes**

| Resul    | Position | Laps | Time | Fastest Lap |
|----------|----------|------|------|-------------|
| Run      |          |      |      | lap         |
| Qualfier |          |      |      | lap         |
|          |          |      |      | lap         |
|          |          |      |      | lap         |
| Main #   |          |      |      | lap         |

