

Electrical Switch 2

INSTRUCTION MANUAL

Thank you for your trust and purchasing KO PROPO products. This electrical switch 2 has a built in voltage cut off system for 2S Lipo receiver packs to prevent damage to your battery. Please take a moment to read the instructions before you start to use your Electrical Switch 2. This manual contains important notes for safety.

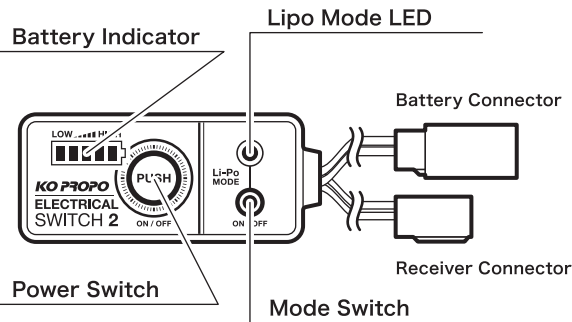
“Specifications”

Input Voltage : 5V-10V
 Max Peak current : 14A
 Max Continuous current : 8A
 Consumption (in standby/full LED) : 1mA/10mA
 Foot print : 39.2 x 17.5 x 9.5 mm (excluding projecting parts)
 Weight : 11.0 g

“Practical Functions”

Smart CPU.
 Lipo mode.
 LED Battery indicator

■ Connections & Name of Parts



●Power On

Press the Power switch for a second.

●Power Off

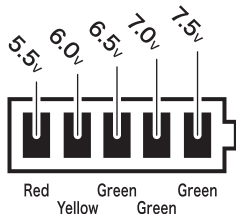
Press the Power switch for three seconds.

●Battery Indicator

5 LED displays the condition of the battery.

LED Color / Units

Red/5.5V or more
 Yellow/6.0V or more
 Green/6.5V or more
 Green/7.0V or more
 Green/7.5V or more



●Lipo Mode (cut off voltage)

Press the Mode Switch for a second
 Normal mode / LED is off. Lipo mode / LED on.

⚠ Attention and Warning

- Please use this product within the range of the specification. It may cause of the breakdown, damage and deformation of the product.
- Be sure to connect all equipment correctly. If connections are loose, the model may run out of control.
- Be careful not to reverse the polarity, it will damage the products.
- Do not use this product in the rain or in a location where water might get on it. The unit may become wet, which would cause a loss control.
- Do not disassemble or modify.

- When disconnecting the battery, turn off the power of this product first. The CPU memorizes the status of ON/OFF.
- Please remove the battery after use. It is likely to cause an accident if left connected for a long time.

■ Function Explanation

Li-Po mode (cut off voltage for 2S)

This function is to prevent the battery from becoming damaged due to over discharging the 2S Lipo being used. To protect the battery when the voltage drops below 6V, the output is cut. When the voltage of the battery exceeds 6V, the output will resume.

⚠ Attention ⚠

- ※When Lipo mode is used, the reaction of the equipment might become slow. This is due to the cut off voltage of this product and not a breakdown. If there is a delay in reaction, please turn off the Lipo mode and proceed with caution.
- ※The Lipo mode is not a function to charge the Lipo battery. This product does not have a balance connector for charging. Please disconnect the battery for charging.

■ Contact

When repair is required, please contact your local distributor. If you have no distributor in your country, please contact us.

Requesting repair service

Please write the following items in as much detail as possible and send it with the repair goods.

- (1) Situation of the trouble.
- (2) Equipment used. (type of transmitter, receiver, servo, and esc)
- (3) Vehicle name and installing situation when being installed.
- (4) The type and the number of items that have been sent.
- (5) Return address, name, and telephone number

KONDO KAGAKU CO.,LTD Service department

■TEL : 03-3807-7648 (service)

Hours of operation:

9:00-12:00 & 13:00-17:00 M-F except national holidays
 Saturday and Sunday closed

■ADDRESS :

4-17-7 Higashi-Nippori, Arakawa-ku Tokyo Japan 116-0014 Japan

Latest information can be accessed here. >> <http://www.kopropro.co.jp>