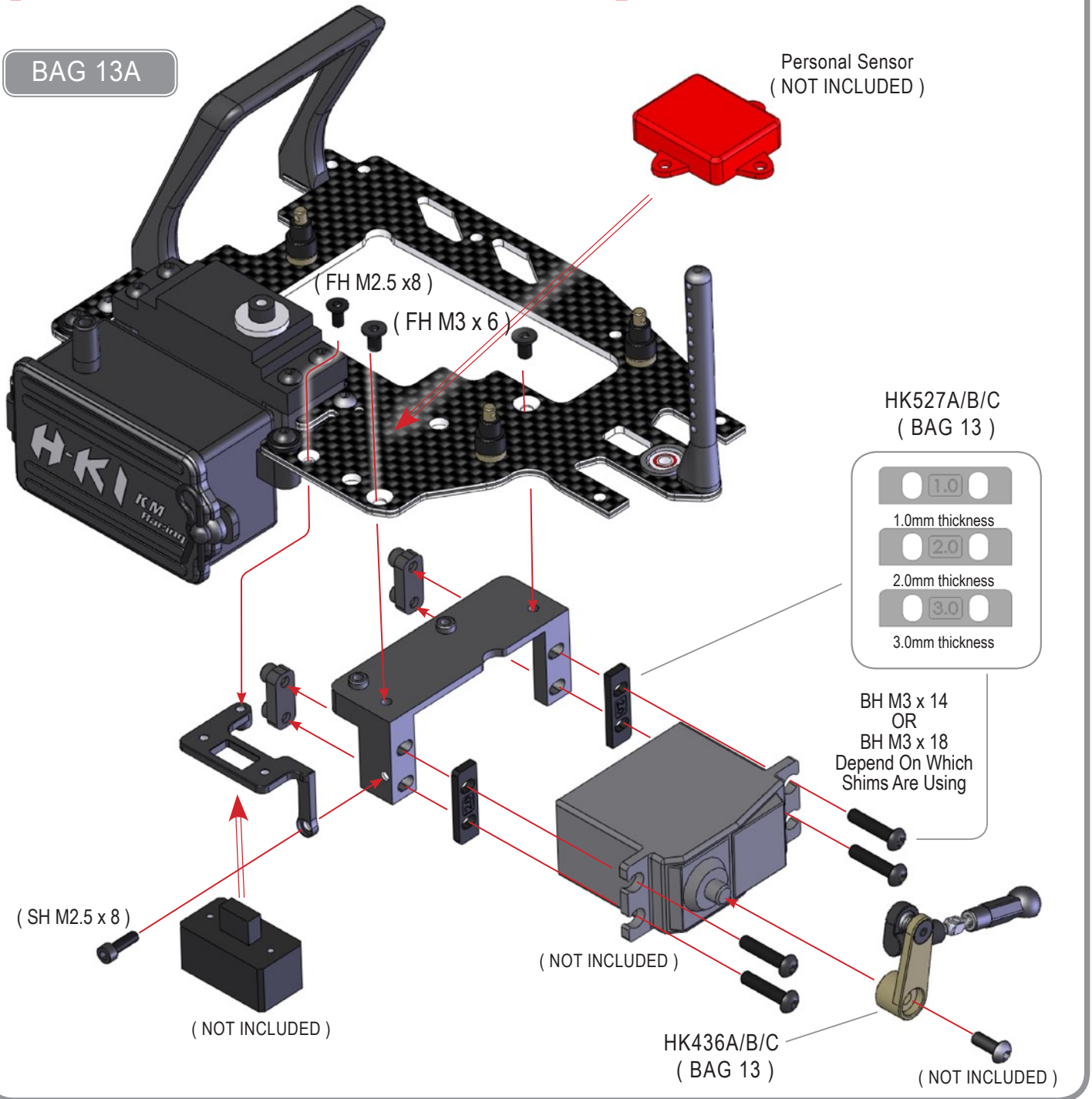


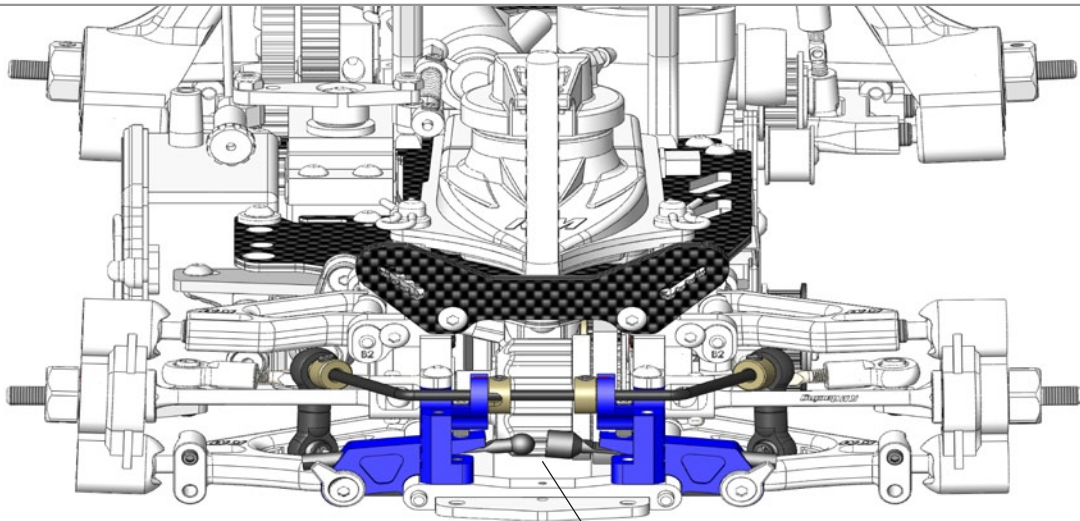
SUPPLEMENTARY SETTING

STEERING SERVO MOUNT ASSEMBLY (FIXED ON UPPER DECK)



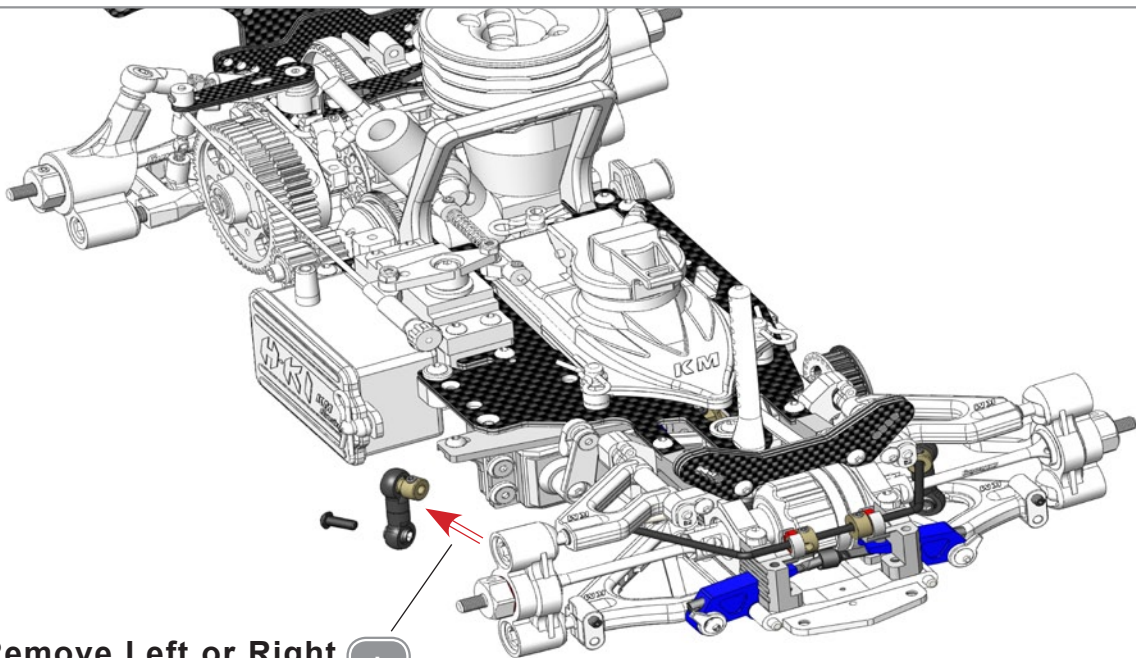
▶ Item No.	▶ Description	▶ Quantity	▶ Item No.	▶ Description	▶ Quantity
HK522	— Steering Servo Mount	x 1	HK908	— BH M3 x 18	x 4
HK523	— Steering Servo Holder	x 2	HK921	— SH M2.5 x 8	x 1
HK527	— Switch Plate	x 1	HK930	— FH M3 x 6	x 2
HK906	— BH M3 x 14	x 4	HK939	— FH M2.5 x 8	x 1

SETUP FRONT ANTI ROLL BAR (WIRE TYPE)



 **Don't Insert Ball
into Cup**

SETUP FRONT ANTI ROLL BAR (STANDARD TYPE)



**Remove Left or Right
Linkage Part**

