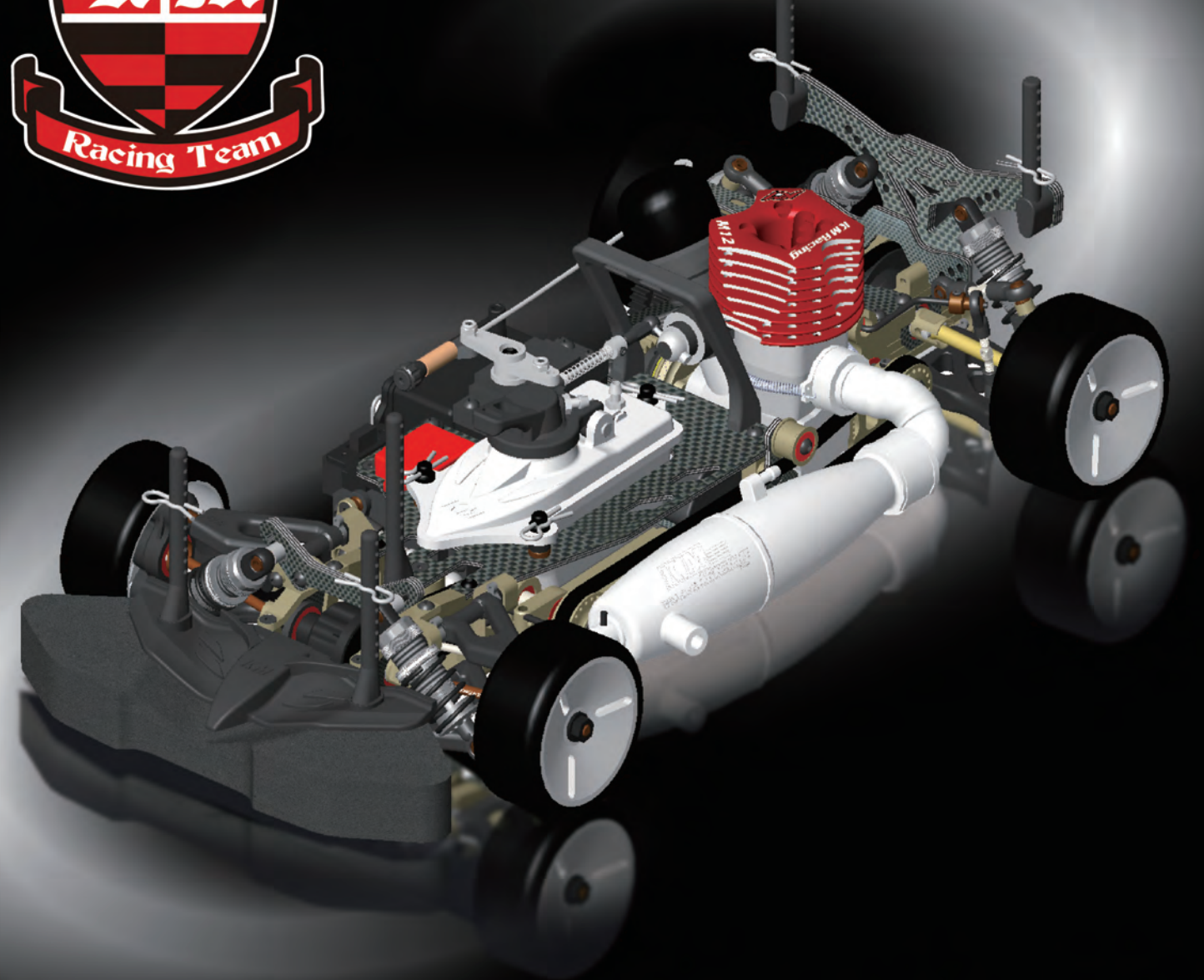




**1/10 Scale Super Luxury Full Option
4WD GP Touring Car**



www.km-rc.com

KM Group (International) Holdings Co.Ltd
KM RC Factory Co. Ltd

Hong Kong Address : Unit 5,6/F,Star Centre, 443-451
Castle Peak Road, Kwai Hing. N.T.
Tel : (852)3568 8058 Fax : (852)3568 8078
E-Mail : info@km-group.com.hk
Home-Page : www.km-rc.com

KM Technology (ShenZhen) Co.Ltd

China Factory Address : 2/F, Block B NO.2 He Zhou An Le Industrial
Park,Xi Xiang Town, Baoan Shen Zhen, Guang Dong, China.
Tel : (86)755-27478892
Fax : (86)755-29655092

KM Group (Japan) Co.Ltd

Japan Address : 1-14-27 Onna,Atsugi-shi,Kanagawa,Japan.243-0032
Tel : (81)50-3050-0609
Fax : (81)46-225-0360
E-Mail : km-jp@w3.dion.ne.jp

KM Group (Thailand) Co.Ltd

Thailand Address : 78 Seri 4, Seri Suanluang, Prakanong 10240 Bangkok, Thailand
Tel : (66)8183 82378
E-Mail : pattayarc@gmail.com



**KM GROUP
(INTERNATIONAL) HOLDINGS CO.LTD**

H-KI

Pure Free Fighting (K1) Machine
**INSTRUCTION
MANUAL**

BEFORE YOU START

KM H-K1 is a high quality pure racing 1/10 GP touring car and it's not a toy!

Please follow the below steps before you start:

1. Keep out of children when you open the box
2. Beginners or first builders should seek the advice of experienced modelers about the important points for assembly
3. Read through the instruction manual carefully before opening the part's plastic bag
4. Check all parts to find out if there are missing parts
5. Follow the steps and orders in the instruction manual for assembly
6. If you find out missing parts, defective parts or any problems in the open box condition, please contact your local dealers or KM distributors immediately

Assembly Tips

1. Self-tapping screws cut threads into the plastic parts when being tightened. Do not use excessive force when tightening the self-tapping screws because you may strip out the thread in the plastic.
2. Make sure all screws are properly tightened. Check them periodically.
3. Clean all ball-bearings to make sure they move very easily and freely. Check them periodically
4. The free movement of the moving parts is very important for the car performance
5. Seek advice from experienced drivers.

Safety Precautions

1. Keep out of children when operating the car
2. Be very careful when using tools or sharp accessories
3. Be careful when assembly because some parts may have sharp edge
4. Always switch on your transmitter before you switch on your receiver in the car. Always switch off the receiver before switch off your transmitter
5. Always check the brakes/throttle/steering before starting your engine
6. Only operating outdoor since exhausts and fuel vapors are noxious to health
7. Keep hands and objects away from the engine and tune pipe after running the car because of the extremely high temperature, only can touch it until it's cool down
8. Never smoking when operating the car because the fuel is highly inflammable
9. Do not run the car near real car, road, animals and people
10. Always disconnect the receiver battery after running
11. Only use model fuel for running the car

To prevent any serious personal injury or damage to the public, please be responsible when operating the car!

Customer support

If you have any difficulties, problems, or questions, please do not hesitate to contact our KM distributor in your country or e-mail to: info@km-group.com.hk. Also, please visit our web-site: www.km-rc.com to find the latest news, set-up information, new option parts, and many more.

Note

- We will be continually up-grading the H-K1 to even higher performance, the exact specifications of the kit may vary. We KM do reserve all right to change any specification without prior notice.
- **Now, please enjoy our 1/10 Scale Super Luxury Full Option 4WD GP Touring Car H-K1, and wish you get all the great race results with the Pure Free Fighting (K1) Machine!!!**

► TOOLS & EQUIPMENT INCLUDED



20ml 500 Silicone Oil 20ml 60000 Silicone Oil 20ml 30,000 Silicone Oil

► TOOLS REQUIRED

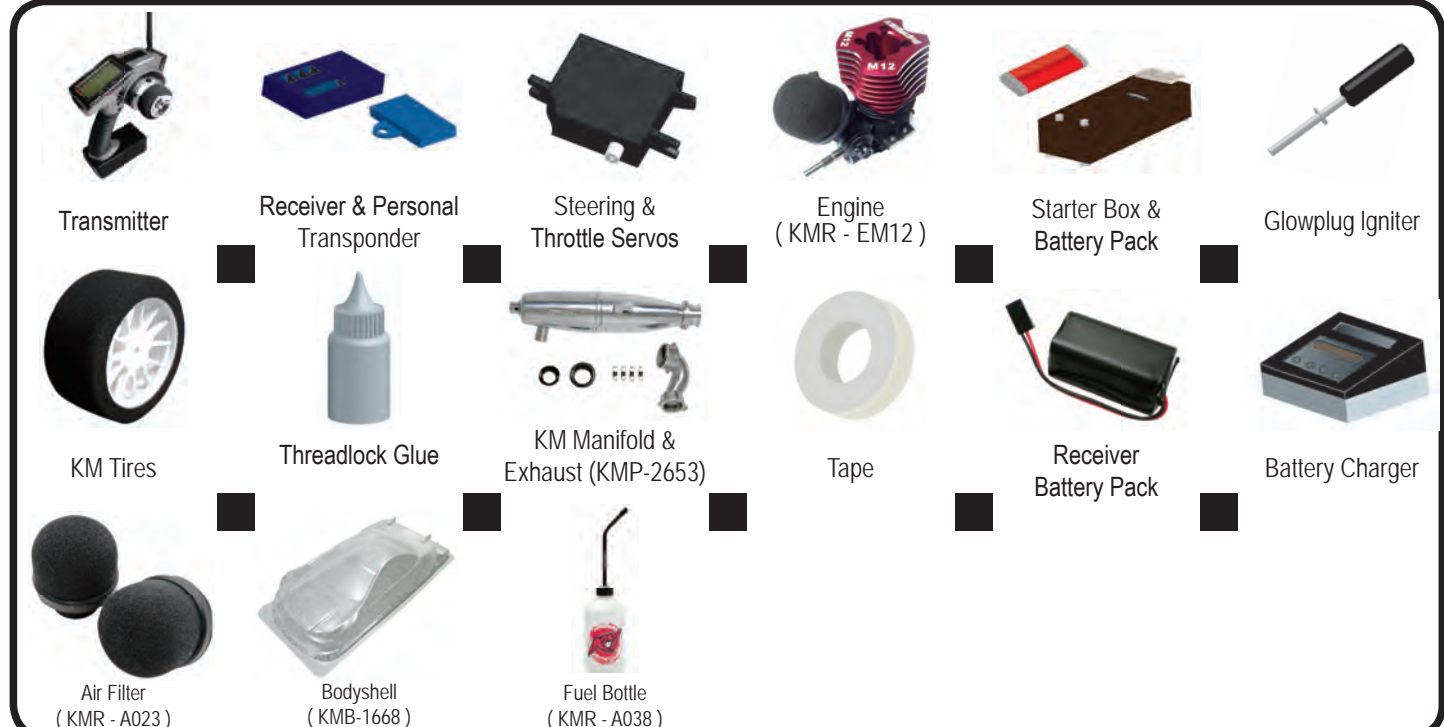


Phillips 4.0mm (KMR-F40) Ball End Hex 2.5mm (KMR-B25) Clutch Nut Tool (KMR - A033) Glowplug Wrench (KMR - GW01) Flywheel Tool & Pinion Tools (KMR - A036)

Hex. Wrench 1.5/2.0/2.5/3.0mm (KMR-H15,H20,H25,H30) Nut 7.0mm (KMR-N70)

Body Reamer (KMR - BR01) Shock Pliers (KMR - A035)

► EQUIPMENT REQUIRED



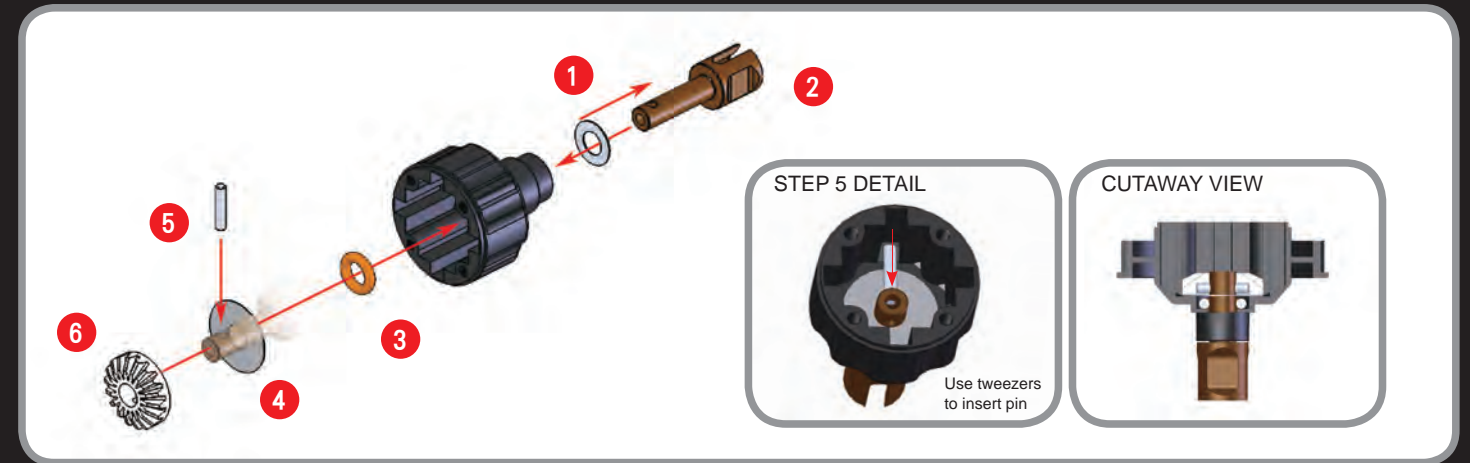
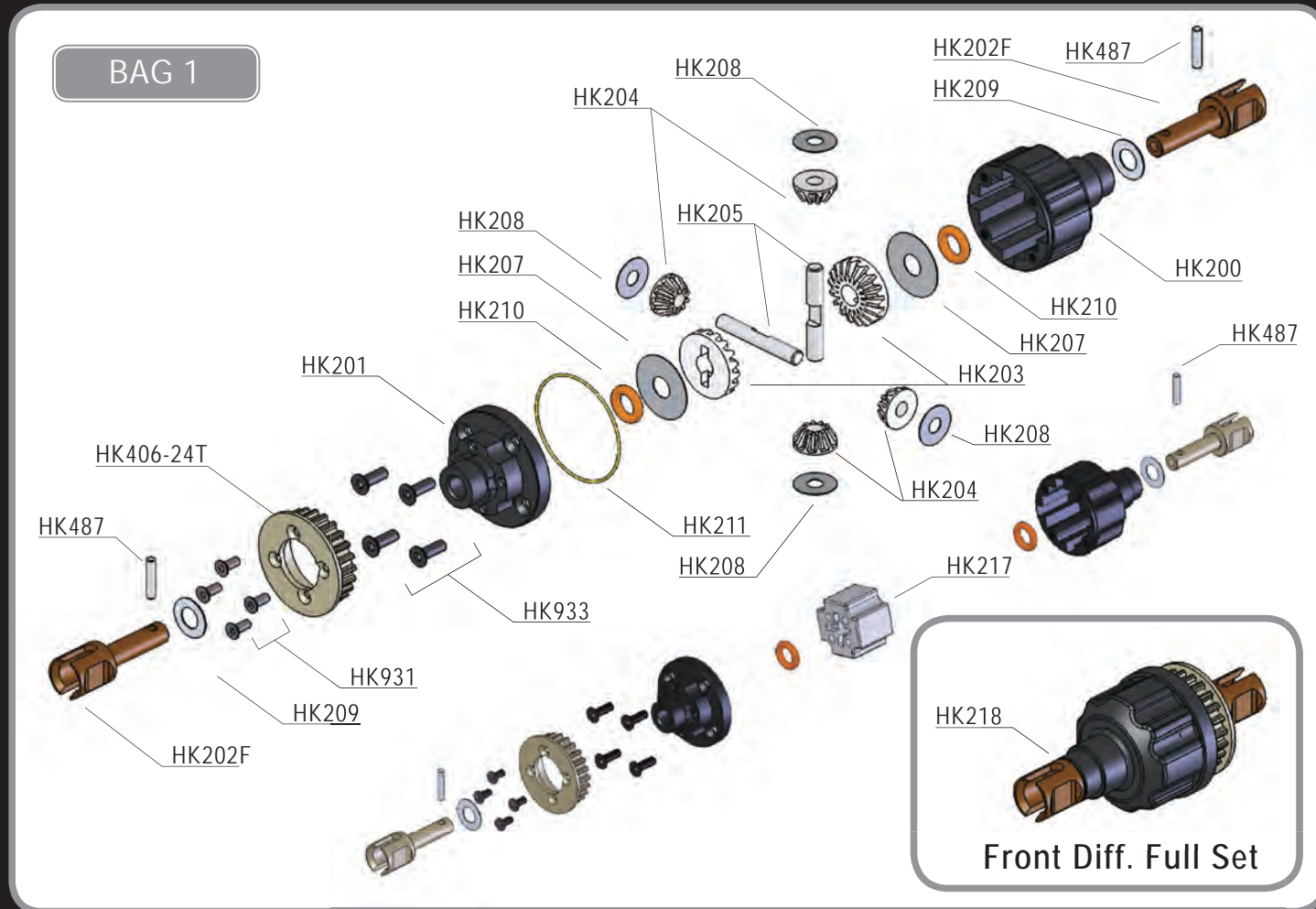
Transmitter Receiver & Personal Transponder Steering & Throttle Servos Engine (KMR - EM12) Starter Box & Battery Pack Glowplug Igniter

KM Tires Threadlock Glue KM Manifold & Exhaust (KMP-2653) Tape Receiver Battery Pack Battery Charger

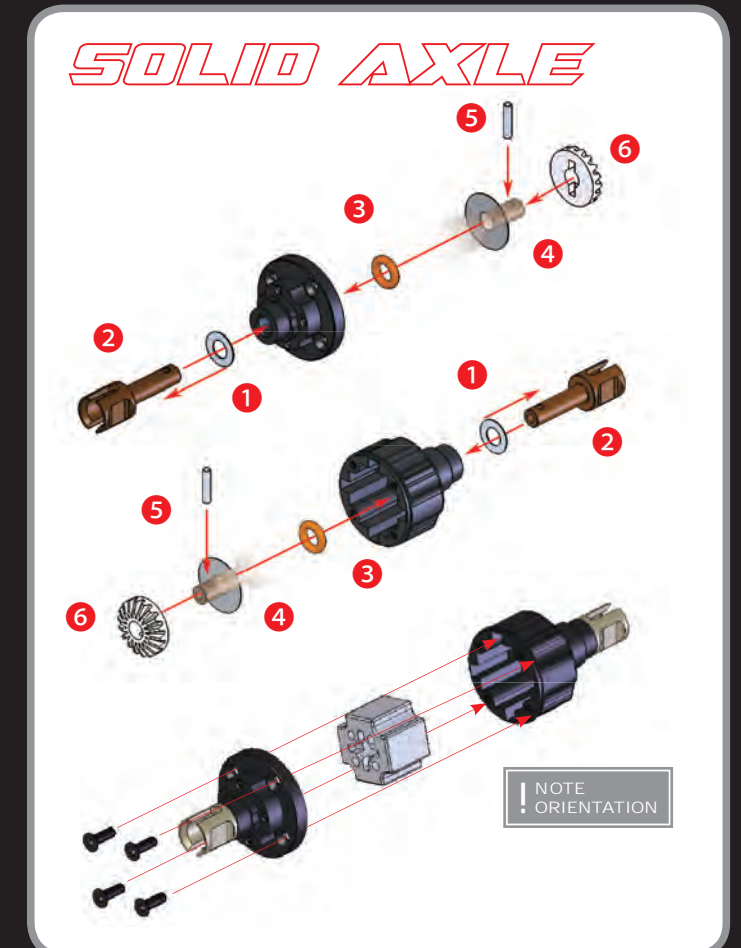
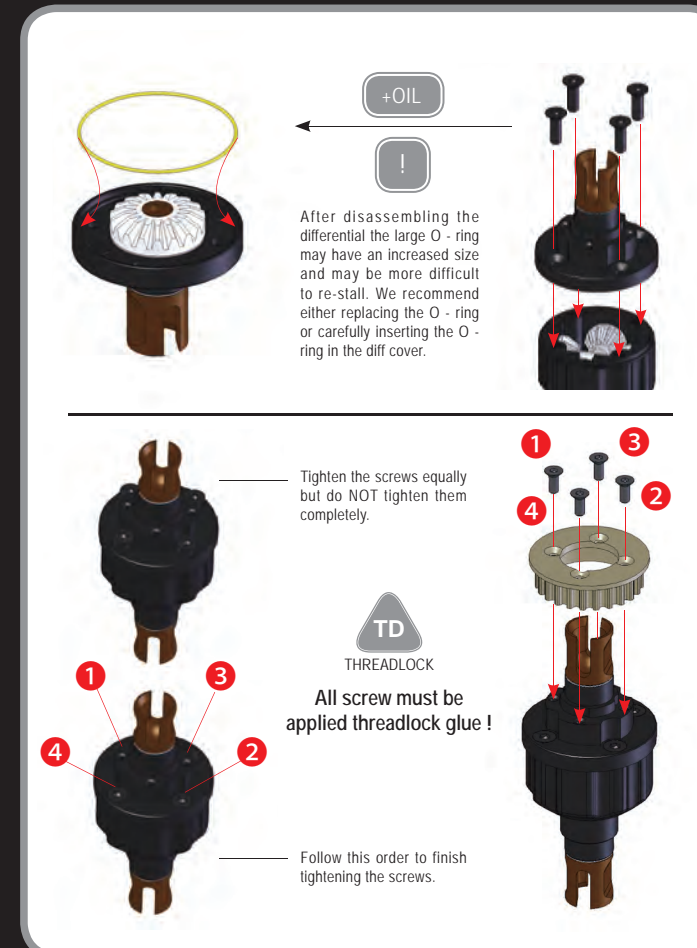
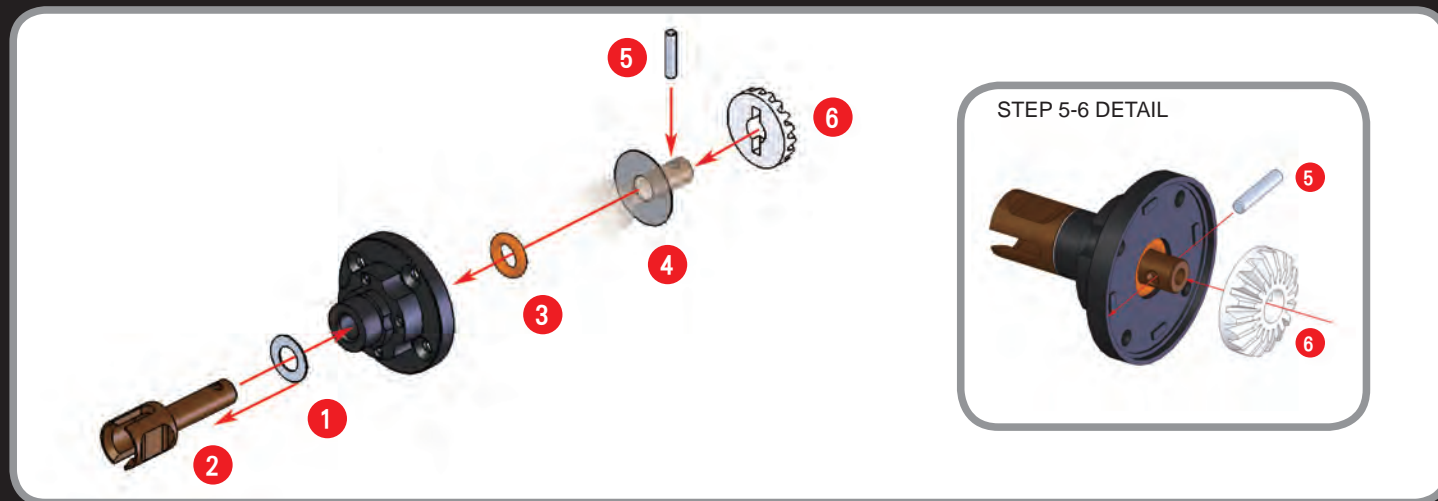
Air Filter (KMR - A023) Bodyshell (KMB-1668) Fuel Bottle (KMR - A038)

1. FRONT GEAR DIFFERENTIAL

1. FRONT GEAR DIFFERENTIAL



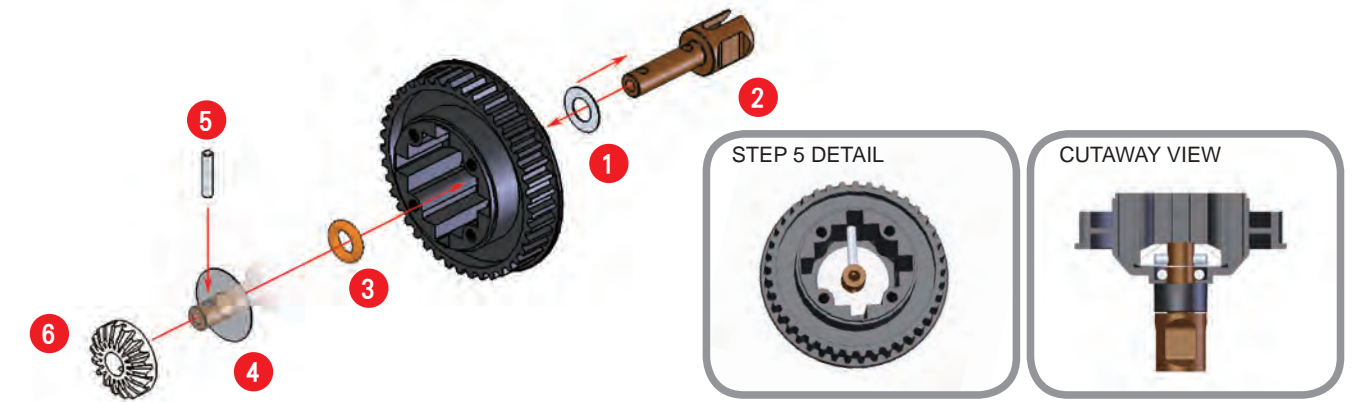
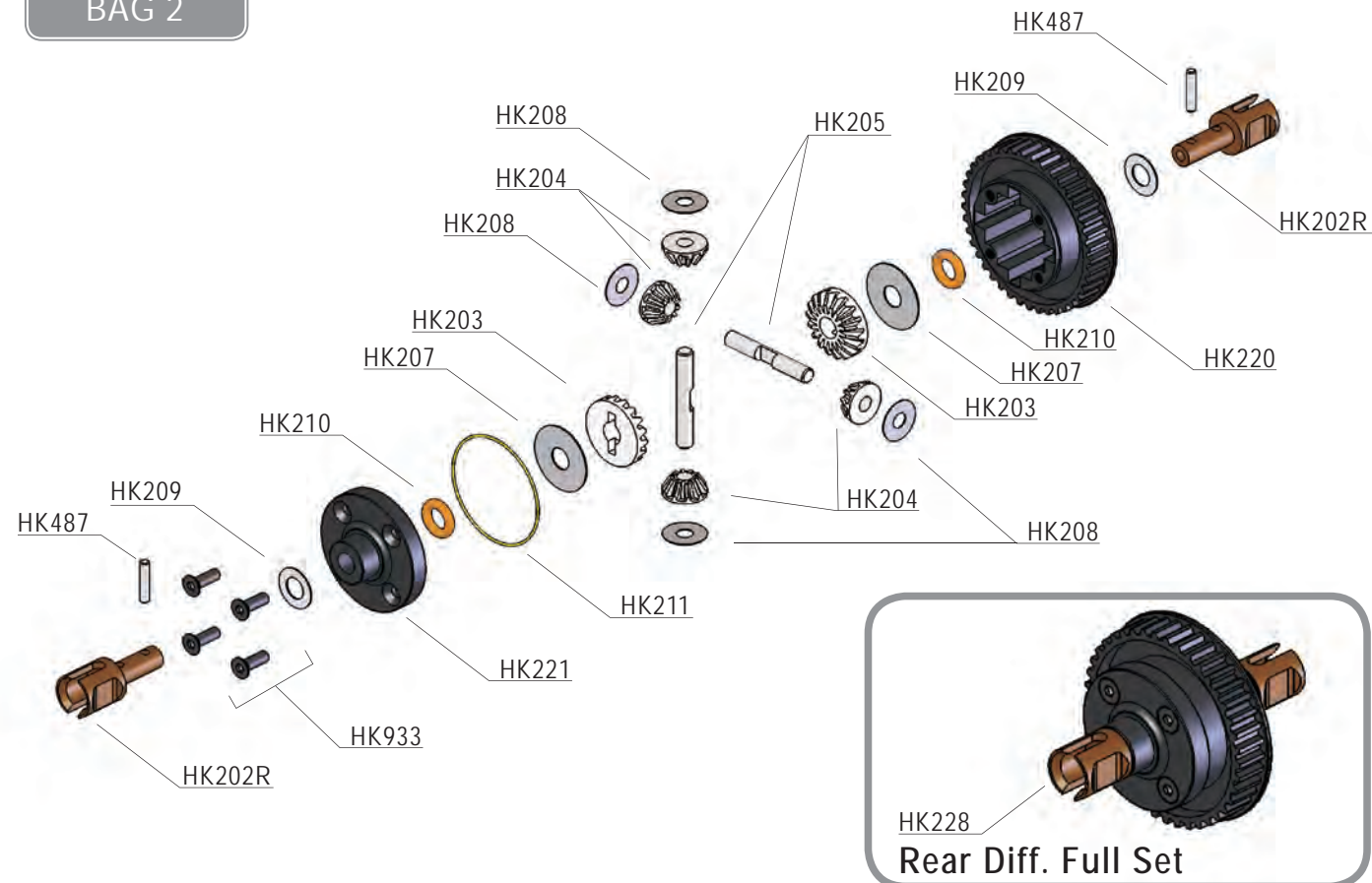
▶ Item No.	▶ Description	▶ Quantity	▶ Item No.	▶ Description	▶ Quantity
HK200	Front Diff. Case	x 1	HK209	Outside Diff. Joint Shims	x 2
HK201	Front Diff. Cover	x 1	HK210	Diff. Gear O-Ring	x 2
HK202F	Front Diff. Joint	x 2	HK211	Diff. Case O-Ring	x 1
HK203	Big Bevel Diff. Gear	x 2	HK217	Alum. Front Solid Axle	x 1
HK204	Small Bevel Diff. Gear	x 4	HK460-24T	Front Diff Pulley-24T	x 1
HK205	Diff. Shaft	x 2	HK487	D2 x 9.7 Pin	x 2
HK207	Big Bevel Diff. Gear Shims	x 2	HK931	FH M2.0 x 5	x 4
HK208	Small Bevel Diff. Gear Shims	x 4	HK933	FH M2.5 x 8	x 4



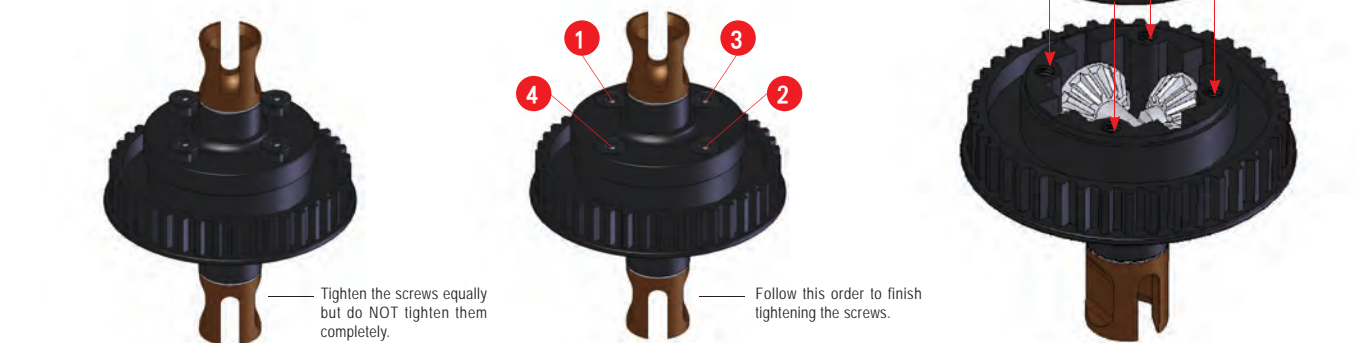
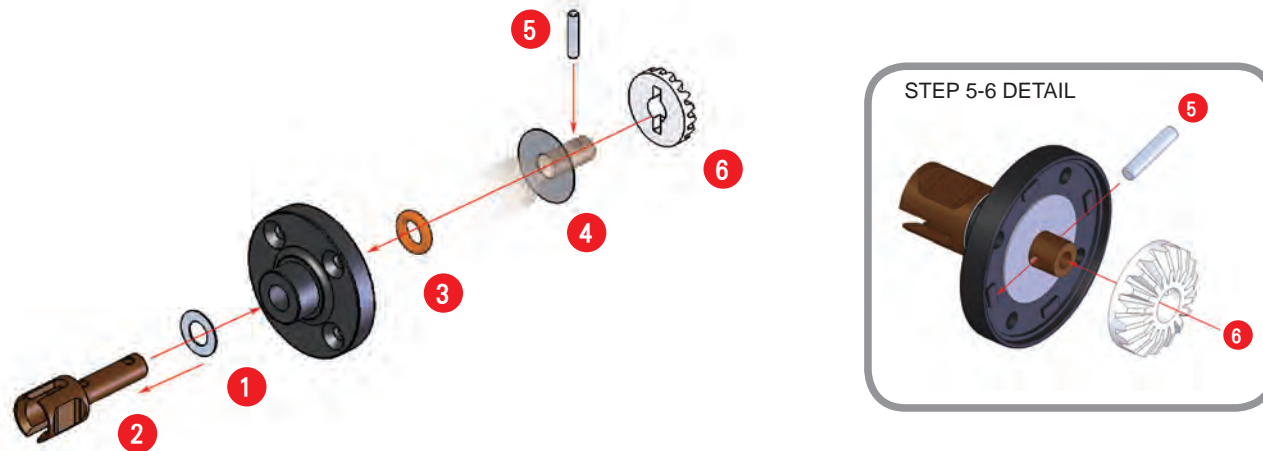
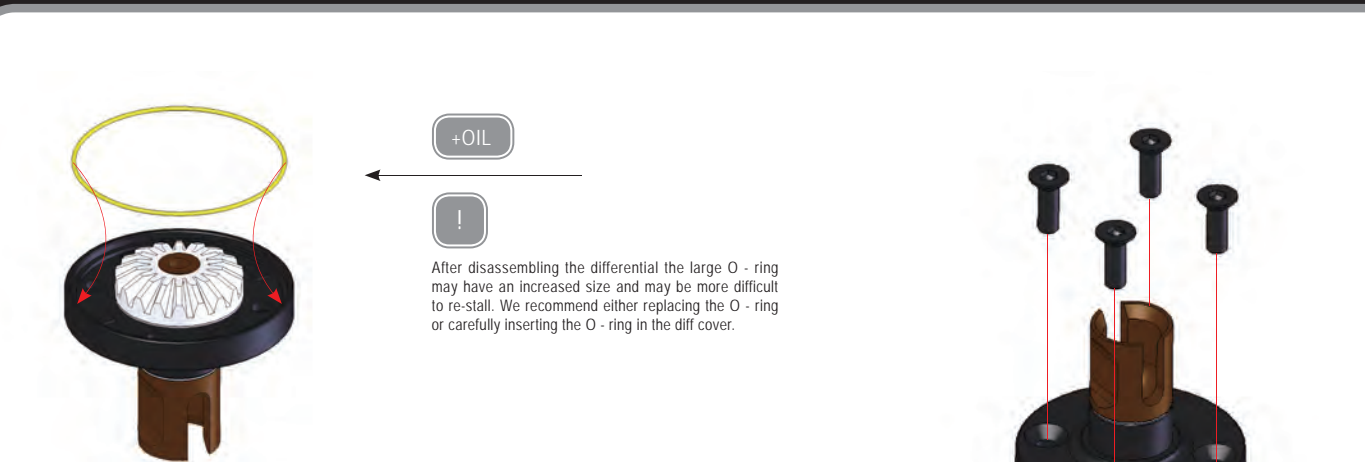
2. REAR GEAR DIFFERENTIAL

2. REAR GEAR DIFFERENTIAL

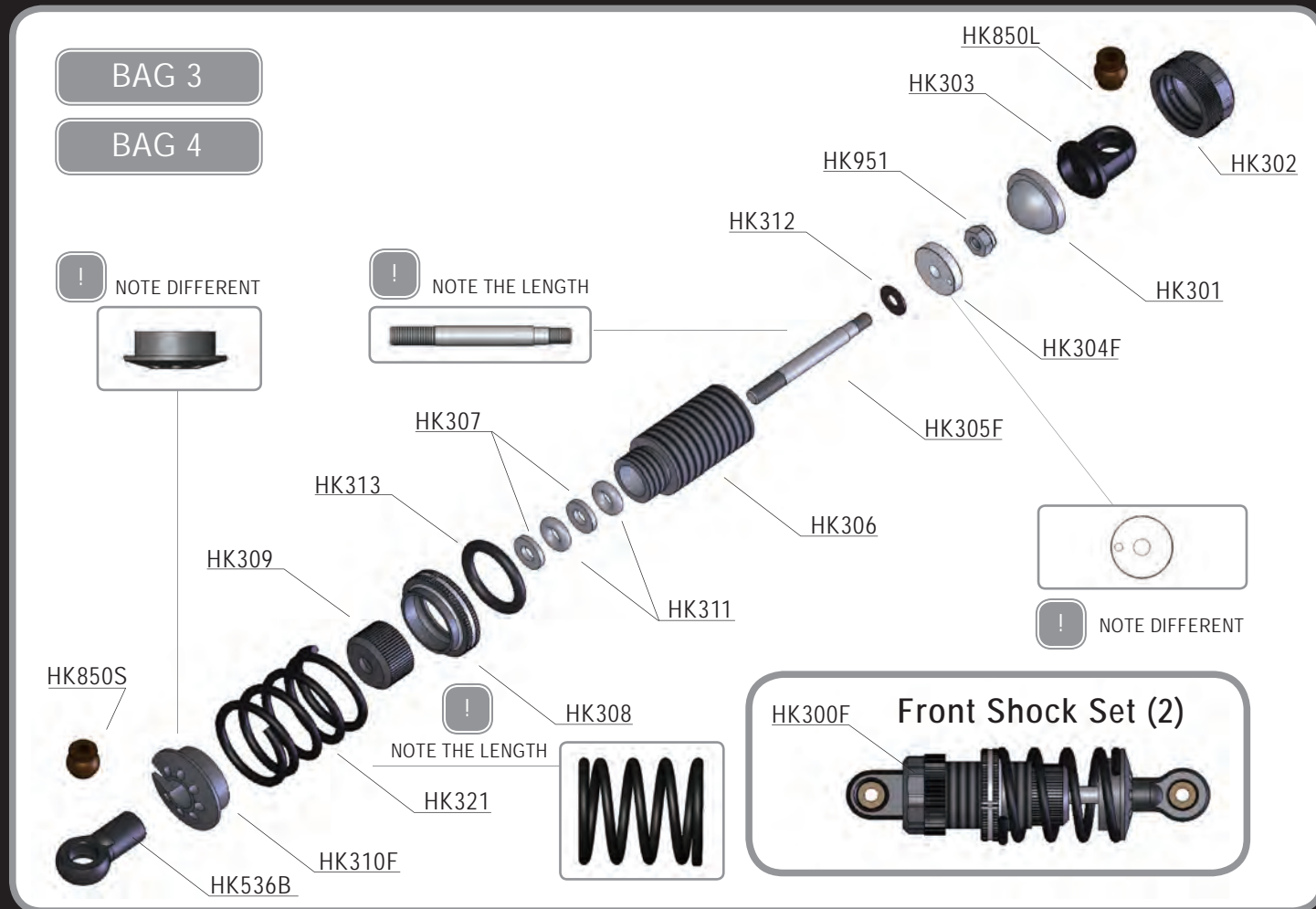
BAG 2



▶ Item No.	▶ Description	▶ Quantity	▶ Item No.	▶ Description	▶ Quantity
HK220	Rear Diff. Case	x 1	HK208	Small Bevel Diff. Gear Shims	x 4
HK221	Rear Diff. Cover	x 1	HK209	Outside Diff. Joint Shims	x 2
HK202R	Rear Diff. Joint	x 2	HK210	Diff. Gear O-Ring	x 2
HK203	Big Bevel Diff. Gear	x 2	HK211	Diff. Case O-Ring	x 1
HK204	Small Bevel Diff. Gear	x 4	HK487	D2 x 9.7 pin	x 2
HK205	Diff. Shaft	x 2	HK933	FH M2.5 x 8	x 4
HK207	Big Bevel Diff. Gear Shims	x 2			



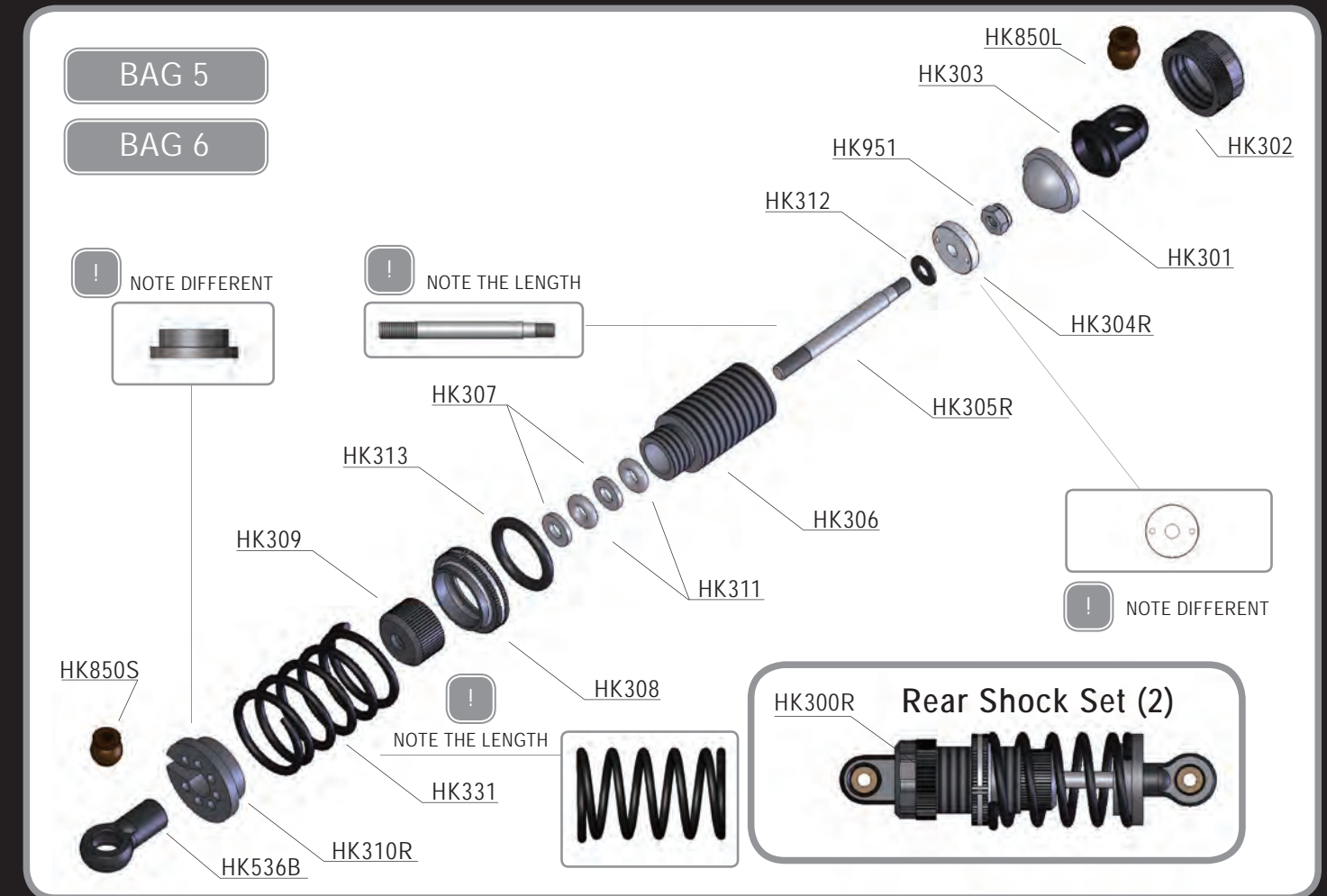
3. FRONT SHOCK



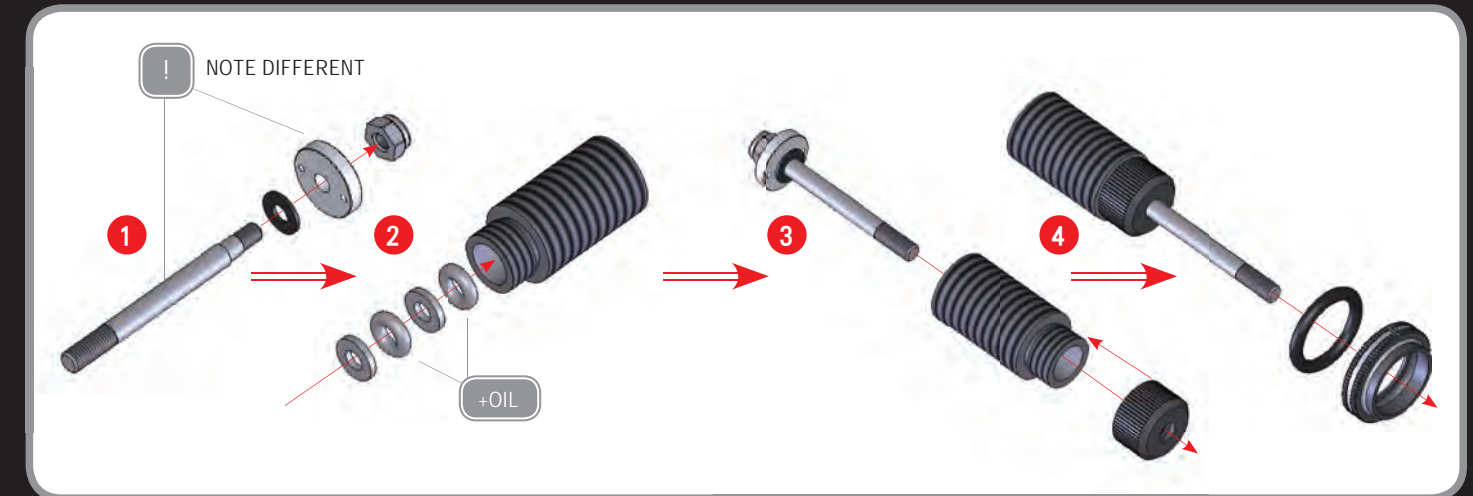
Item No.	Description	Quantity	Item No.	Description	Quantity
HK301	Shock Absorber	x 1	HK311	Shock O-Ring	x 2
HK302	Alum. Upper Shock Cap	x 1	HK312	Shock Piston Shim	x 1
HK303	Shock Head Ball End	x 1	HK313	Adj. Nut O-Ring	x 1
HK304F	Front Shock Piston	x 1	HK321	Front Shock Spring	x 1
HK305F	Front Shock Shaft	x 1	HK536B	Link Plastic 17.5mm	x 1
HK306	Alum. Shock Body	x 1	HK850S	Ball Universal 5.8mm Hex (Short)	x 1
HK307	O-Ring Slims	x 2	HK850L	Ball Universal 5.8mm Hex (Long)	x 1
HK308	Alum. Spring Adj. Nut	x 1	HK905	BH M3 x 12	x 1
HK309	Alum. Lower Shock Cap	x 1	HK951	Lock Nut M2.5	x 1
HK310F	Front Lower Spring Cap	x 1			



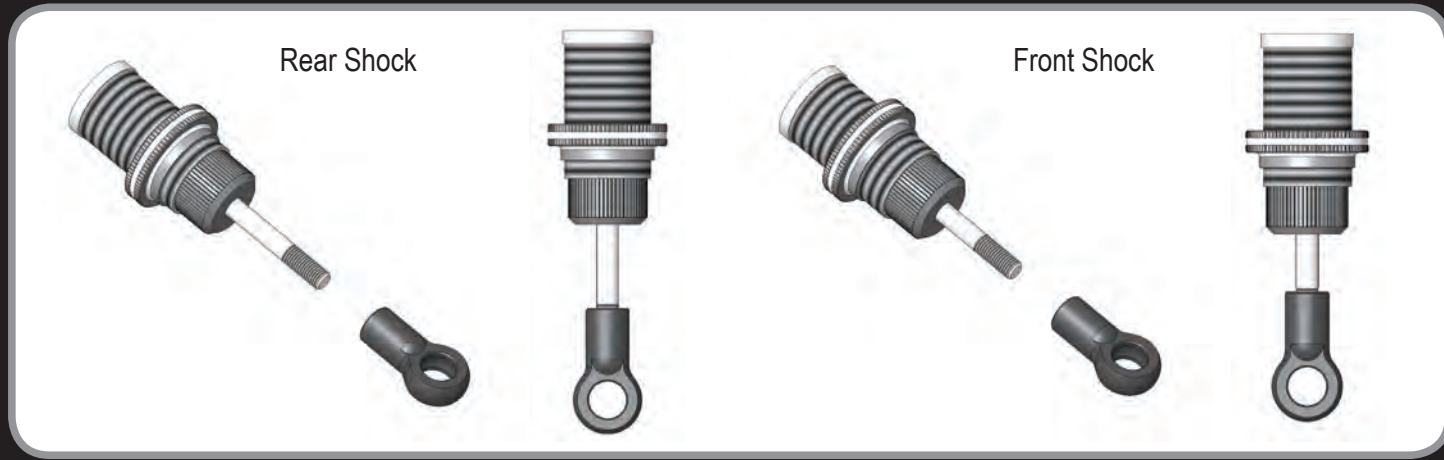
4. REAR SHOCK



Item No.	Description	Quantity	Item No.	Description	Quantity
HK301	Shock Absorber	x 1	HK311	Shock O-Ring	x 2
HK302	Alum. Upper Shock Cap	x 1	HK312	Shock Piston Shim	x 1
HK303	Shock Head Ball End	x 1	HK313	Adj. Nut O-Ring	x 1
HK304R	Rear Shock Piston	x 1	HK331	Rear Shock Spring	x 1
HK305R	Rear Shock Shaft	x 1	HK536B	Link Plastic 17.5mm	x 1
HK306	Alum. Shock Body	x 1	HK850S	Ball Universal 5.8mm Hex (Short)	x 1
HK307	O-Ring Slims	x 2	HK850L	Ball Universal 5.8mm Hex (Long)	x 1
HK308	Alum. Spring Adj. Nut	x 1	HK903	BH M3 x 8	x 1
HK309	Alum. Lower Shock Cap	x 1	HK951	Lock Nut M2.5	x 1
HK310R	Rear Lower Spring Cap	x 1			



SHOCK OIL & SPRING ASSEMBLE



SHOCK OIL FILLING

- 1 Fully extend the piston rod so the piston is at the bottom of the shock body.
- 2 Hold the shock upright and slightly overfill the shock body with shock oil.
- 3 Let the oil settle and allow air bubbles to rise to the top. Slowly move the piston up and down until no more air bubbles appear. Add shock oil as necessary.
- 4 Pull the piston rod most of the way out of the shock body. Let the shock rest for 5 minutes to allow the air bubbles to escape.

500 Silicone Oil

CUTAWAY VIEW

- 1 Insert the shock ball end into the shock cap.
- 2 Insert the absorber properly into the slot.

* When installing the shock cap assembly on the shock body, some oil will leak out... this is normal.
 * Fully tighten the cap and clean off any excess oil.
 * After the shock is assembled, the shock rod will push itself out of the shock body fairly quickly.

Rear Shock

NOTE DIFFERENT

Front Shock

NOTE DIFFERENT

S. FRONT SUSPENSION

BAG 7 & Main Chassis

HK937, HK400L, HK903, HK506A, HK506B, HK480, HK101L, HK902, HK401L, HK903, HK500, HK402L, HK904, HK501, HK852, HK487, HK502L, HK564, KM Foam Tyre, HK953, HK408, HK-B6124, HK-B10154, HK483, HK852, HK912, HK913, HK935, HK404L, HK906, HK404-1, HK935, HK903, HK103, HK913, HK218, HK-B10154, HK492-1, HK563, HK935, HK902, HK901, HK508B2, HK903, HK935, HK903, HK931, HK218, HK971, HK505, HK481, HK403, HK937, HK931, HK937, HK300F

Front Suspension Complete View

5. FRONT SUSPENSION

Quantity

Description

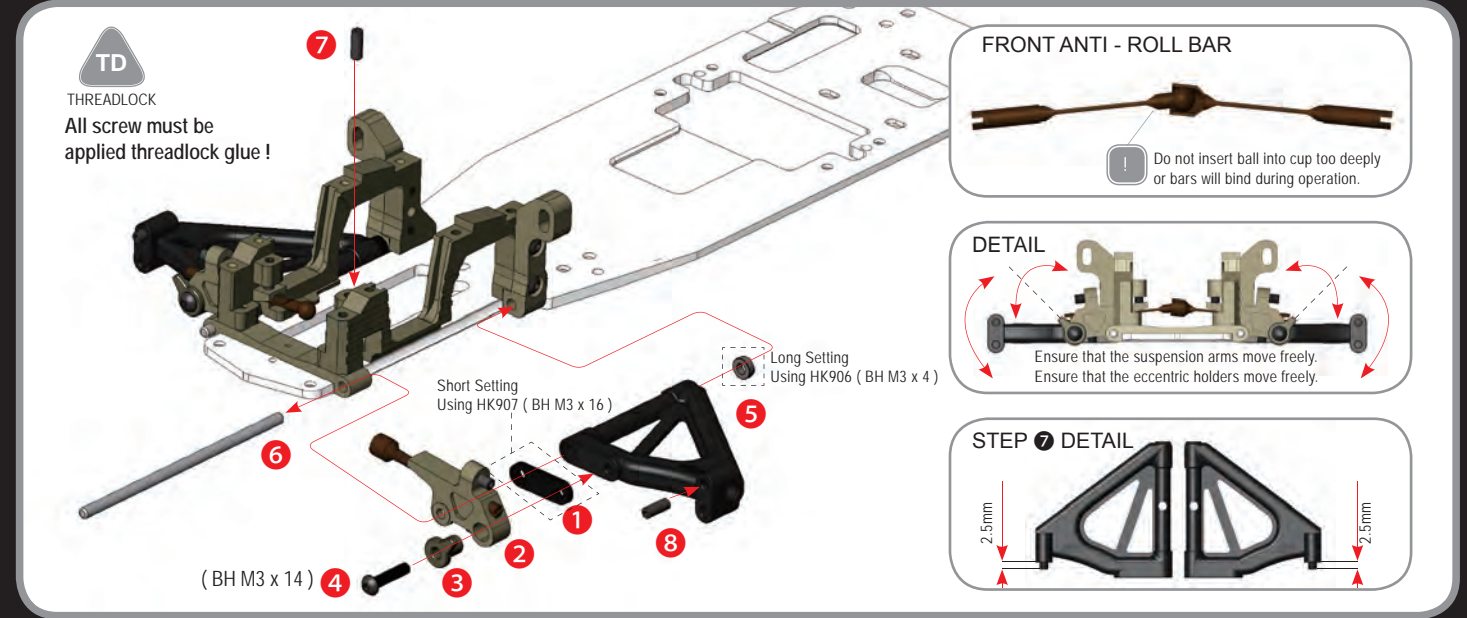
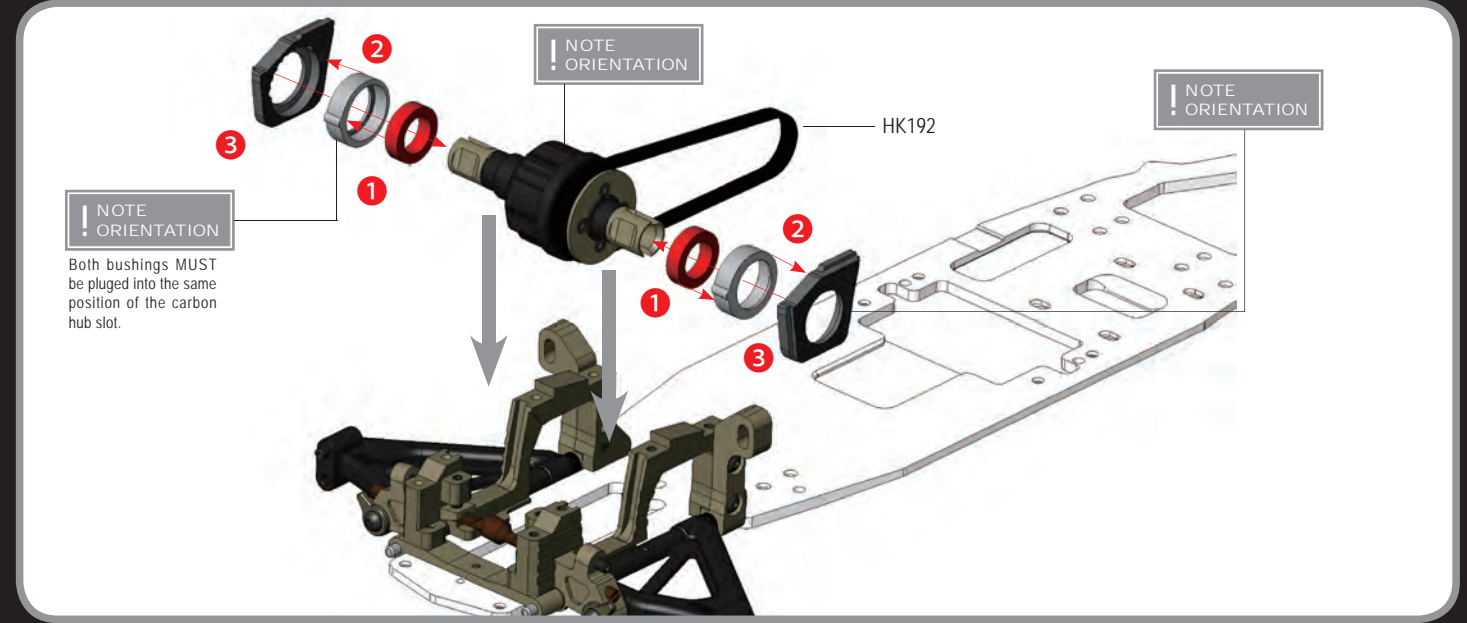
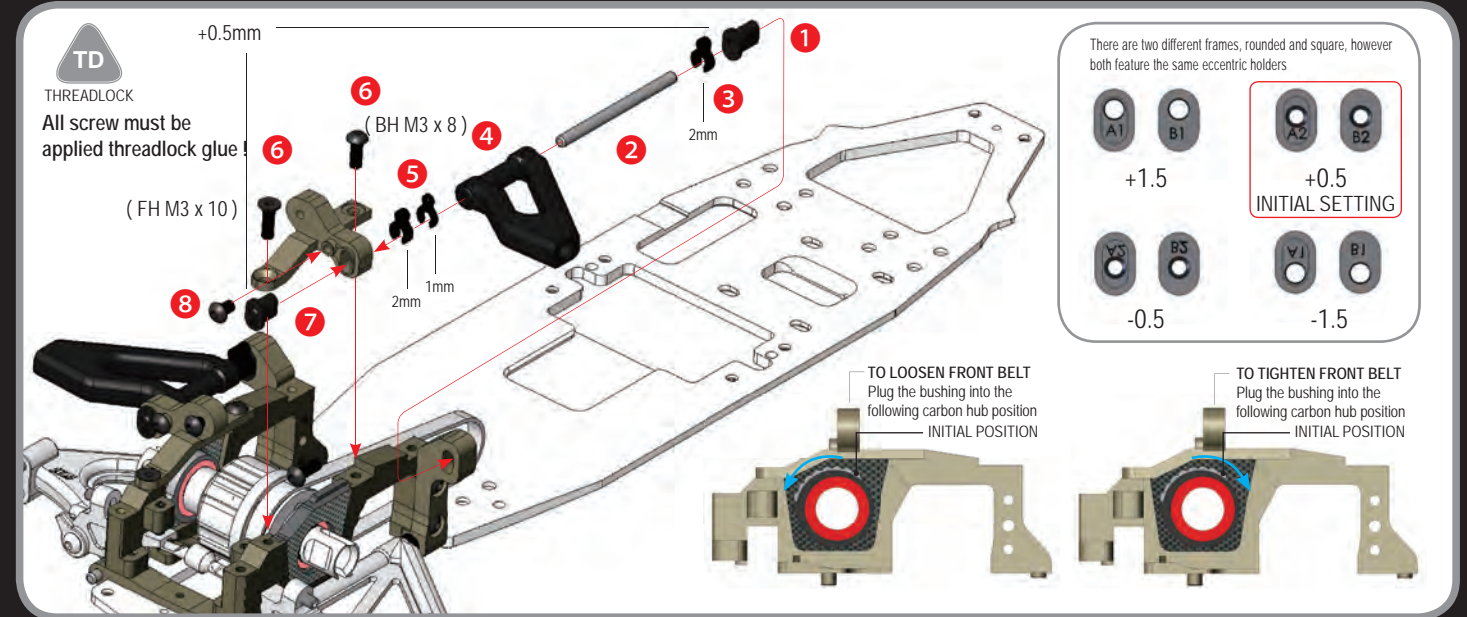
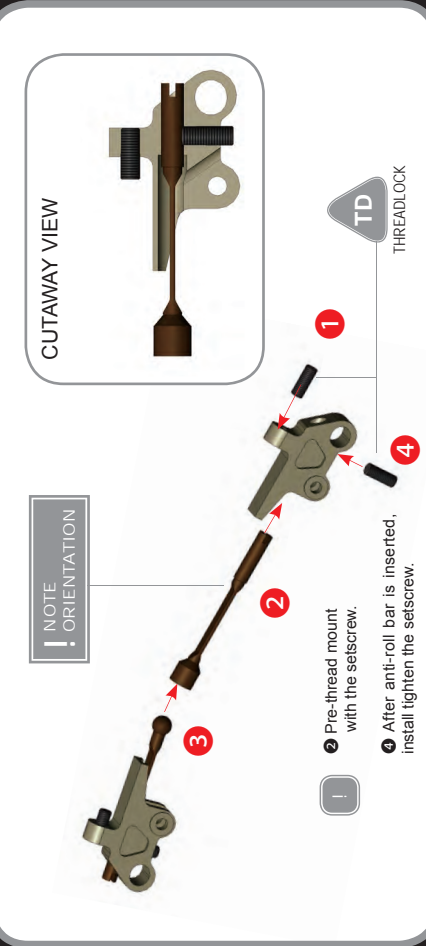
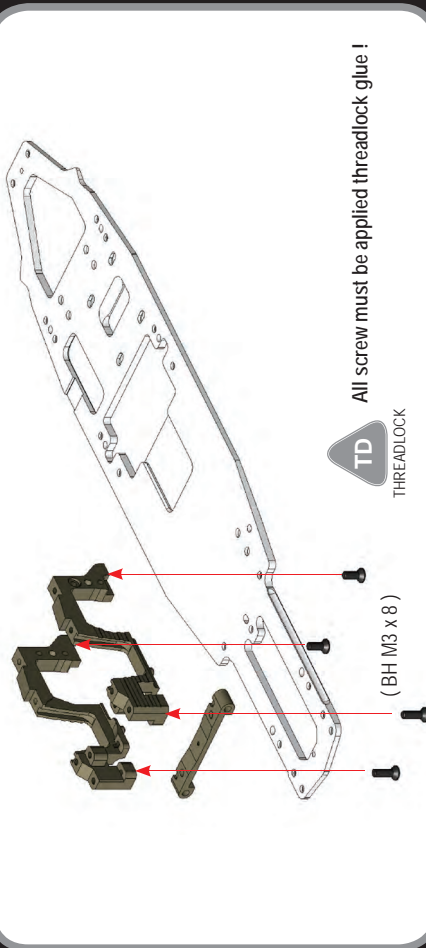
Item No.

Quantity

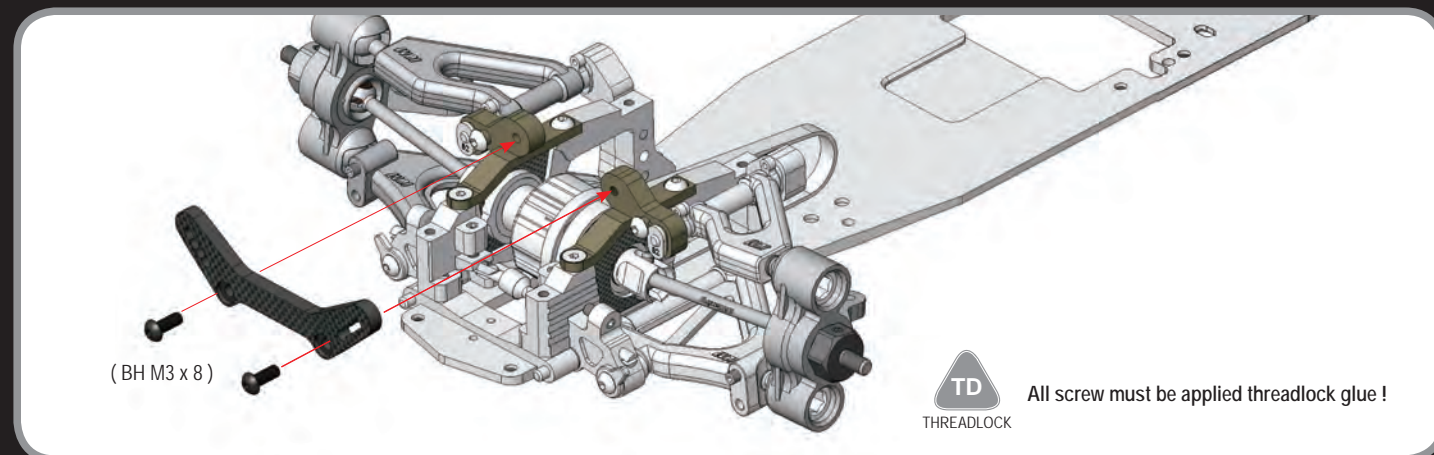
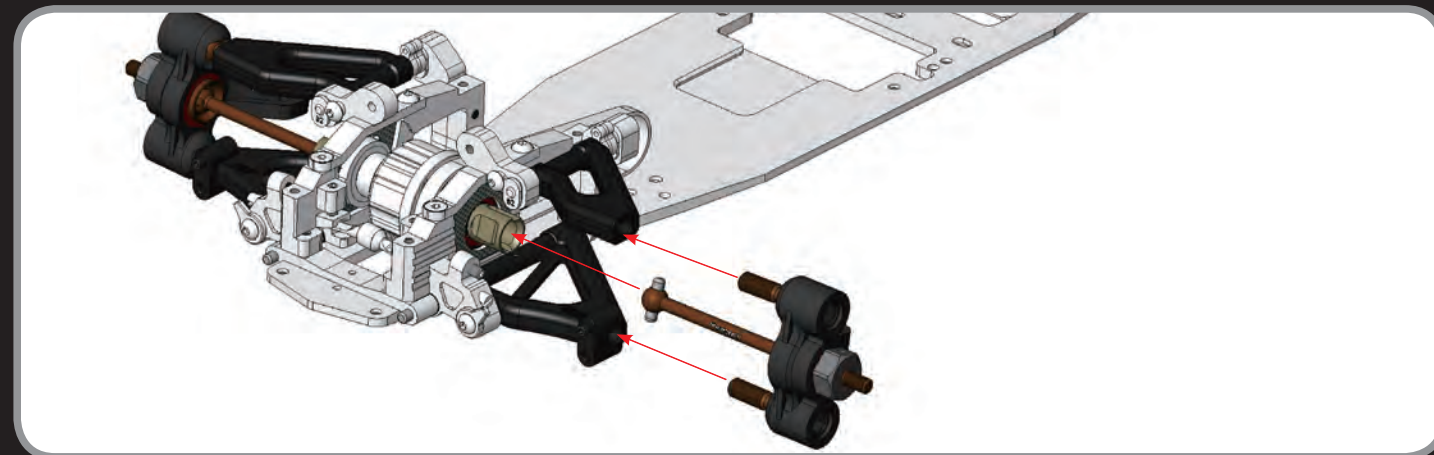
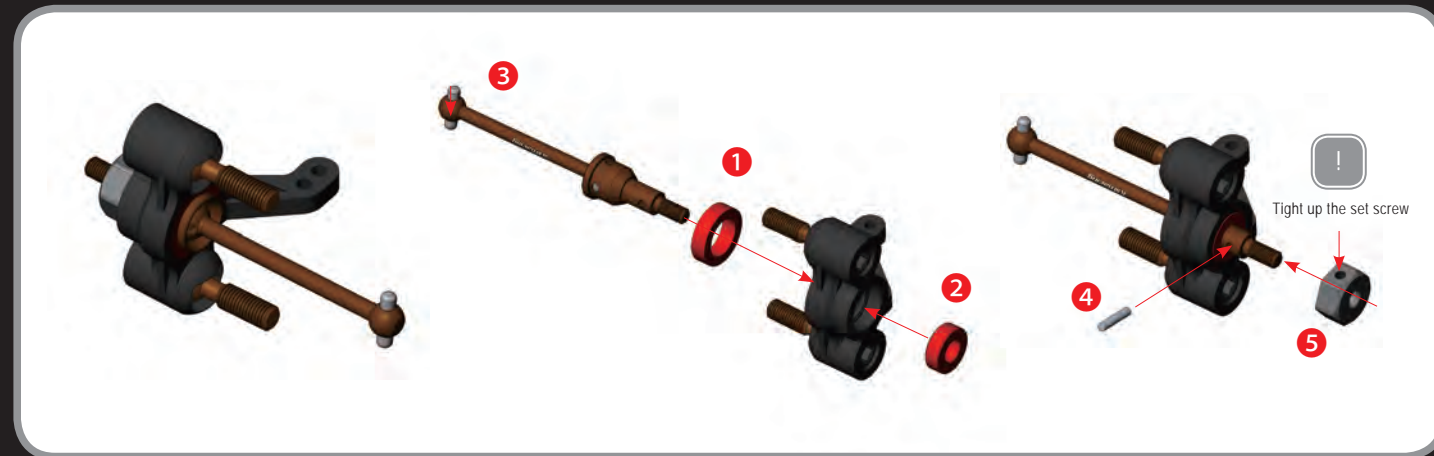
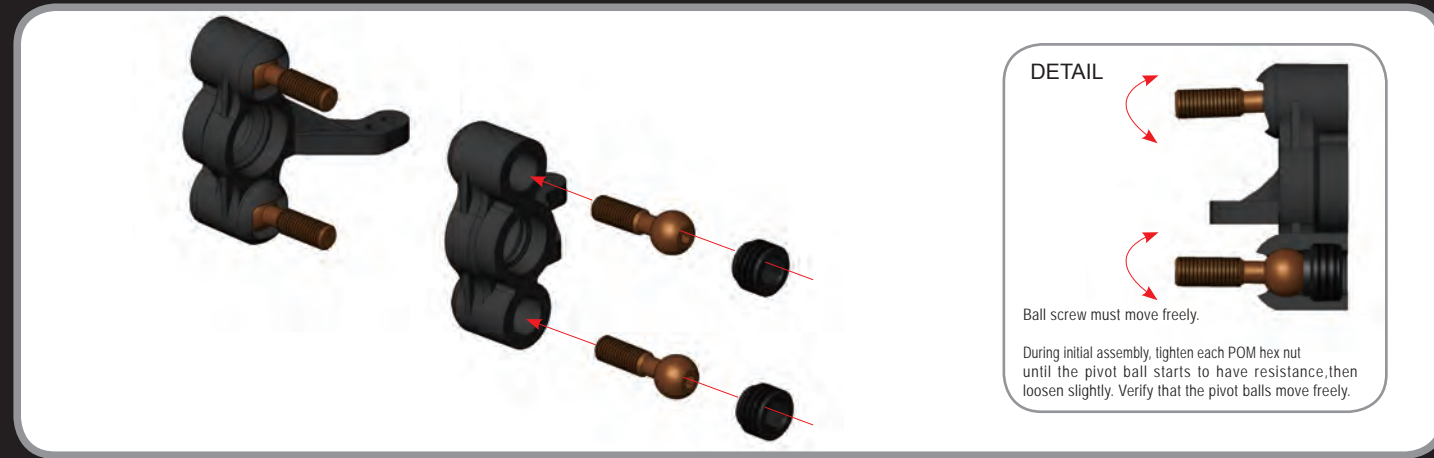
Description

Item No.

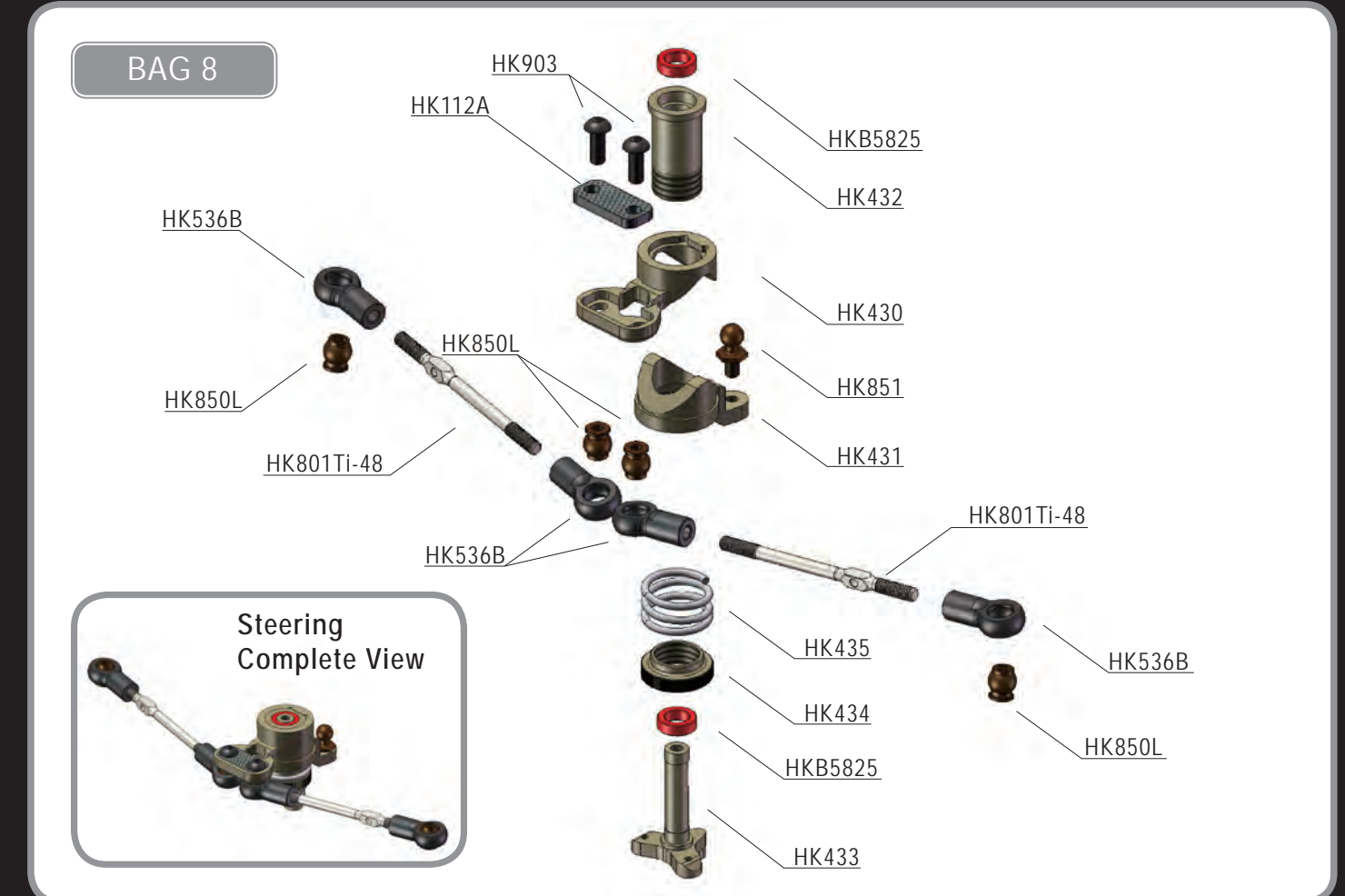
HK101L	4mm Front Carbon Belt Adj. Bearing Hub Holder Left	x 1	HK505A	Front Lower Arm Spacer 2mm	x 2
HK101R	4mm Front Carbon Belt Adj. Bearing Hub Holder Right	x 1	HK505B	Front Lower Arm Collar 2mm	x 2
HK102	3mm Front Carbon Shock Tower	x 1	HK506A	1mm Caster Clips	x 2
HK103	2.5mm Front Carbon Chassis Plate	x 1	HK506B	2mm Caster Clips	x 4
HK192	Front Belt	x 1	HK507A1	Roll Centre Collar A1	x 2
HK400L	Alum. Front Upper Bulkhead Left	x 1	HK507A2	Roll Centre Collar A2	x 2
HK400R	Alum. Front Upper Bulkhead Right	x 1	HK507B1	Roll Centre Collar B1	x 2
HK401L	Alum. Front Lower Bulkhead Left	x 1	HK508B2	Roll Centre Collar B2	x 2
HK401R	Alum. Front Lower Bulkhead Right	x 1	HK563	Bearing Bushing	x 2
HK402L	Alum. Front Suspension Arm Holder L	x 1	HK564	Ball Cup Screw	x 4
HK402R	Alum. Front Suspension Arm Holder R	x 1	HK852	8.5mm Ball Screw	x 4
HK403	Alum. Front Lower Suspension Arm Mount	x 1	HK901	BH M3 x 5	x 2
HK404L	Alum. Front Anti-Roll Bar Mount Left	x 1	HK902	BH M3 x 6	x 2
HK404R	Alum. Front Anti-Roll Bar Mount Right	x 1	HK903	BH M3 x 8	x 8
HK404-1	Alum. Front Anti-Roll Bar Collar	x 2	HK904	BH M3 x 10	x 4
HK408	Alum. Hex Hub Adaptor	x 2	HK906	BH M3 x 14	x 2
HK487	D2 x 9.7 Pin	x 2	HK907	BH M3 x 16	x 2
HK480	Front Upper Arm Pin	x 2	HK912	SS M3 x 5	x 2
HK481	Front Lower Arm Pin	x 2	HK913	SS M3 x 8	x 4
HK483	Front Spring Steel Universal shaft	x 2	HK931	FH M2 x 5	x 3
HK492-1	Front Anti-Roll Bar Shaft Male	x 1	HK935	FH M3 x 6	x 4
HK492-2	Front Anti-Roll Bar Shaft Female	x 1	HK937	FH M3 x 10	x 4
HK500	Front Upper Arm	x 2	HK953	Lock Nut M4	x 2
HK501	Front Lower Arm	x 2	HK971	Collar 3 x 5 x 6	x 2
HK502L	Front Knuckle Arm Left	x 1	HK-B6124	6 X 12 X 4 Steel Bearing	x 2
HK502R	Front Knuckle Arm Right	x 1	HK-B10154	10 X 15 X 4 Steel Bearing	x 2



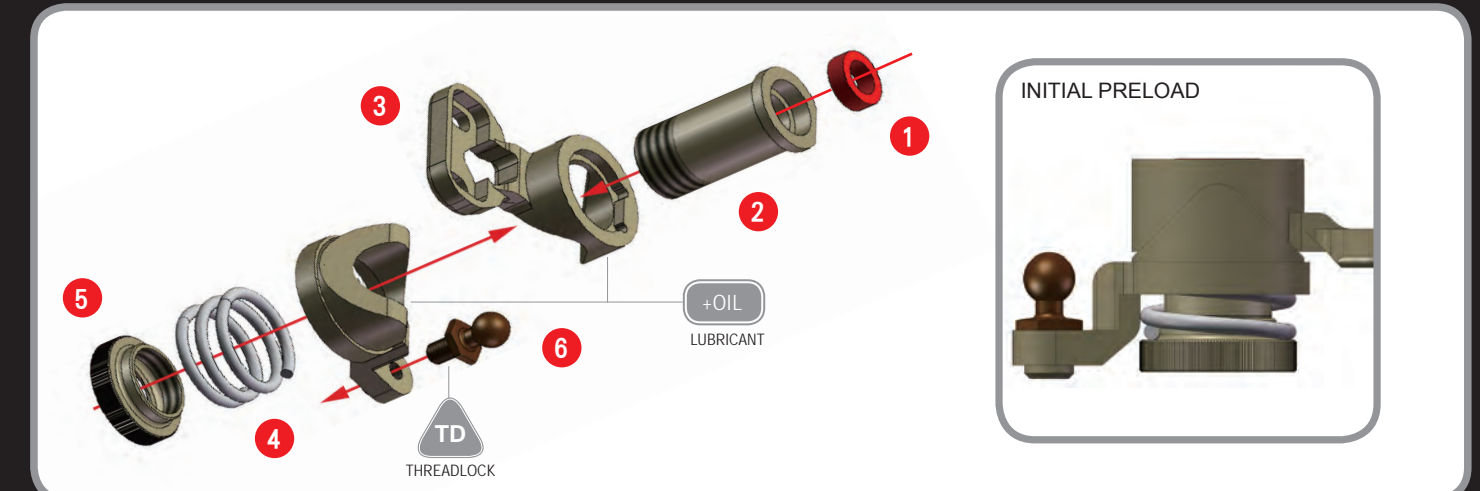
5. FRONT SUSPENSION



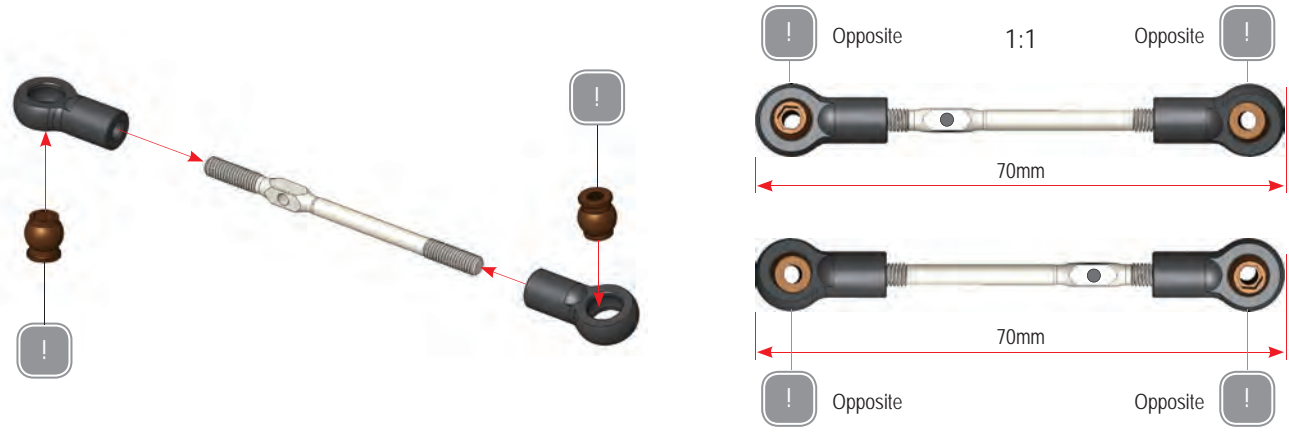
6. STEERING



▶ Item No.	▶ Description	▶ Quantity	▶ Item No.	▶ Description	▶ Quantity
HK112A	Carbon Servo Saver Plate A	x 1	HK536B	Link Plastic 17.5mm	x 4
HK112B	Carbon Servo Saver Plate B	x 1	HK801Ti-48	Titanium Steering Turnbuckles 48mm	x 2
HK430	Alum. Servo Saver Upper	x 1	HK850L	Ball Universal 5.8mm Hex (Long)	x 4
HK431	Alum. Servo Saver Bottom	x 1	HK851	Ball Stud 4.8mm	x 1
HK432	Alum. Servo Saver Bearing Holder	x 1	HKB5825	5 X 8 X 2.5 Steel Bearing	x 2
HK433	Alum. Servo Saver Shaft	x 1	HK903	BH M3 X 8	x 2
HK434	Alum. Servo Saver Spring adj Nut	x 1			
HK435	Servo Saver Spring	x 1			

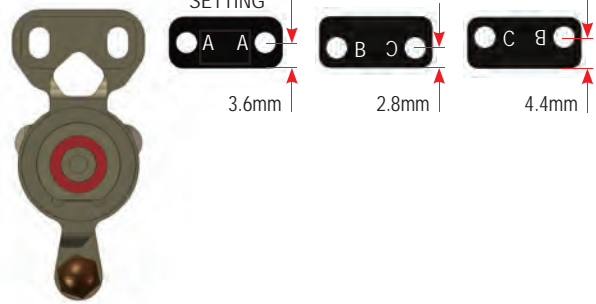


6. STEERING

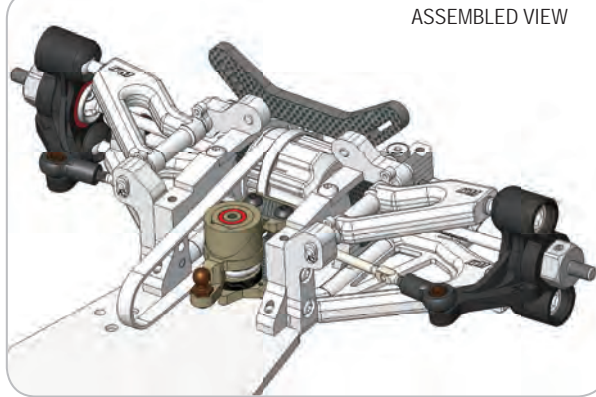


ACKERMANN SETTINGS

INITIAL SETTING

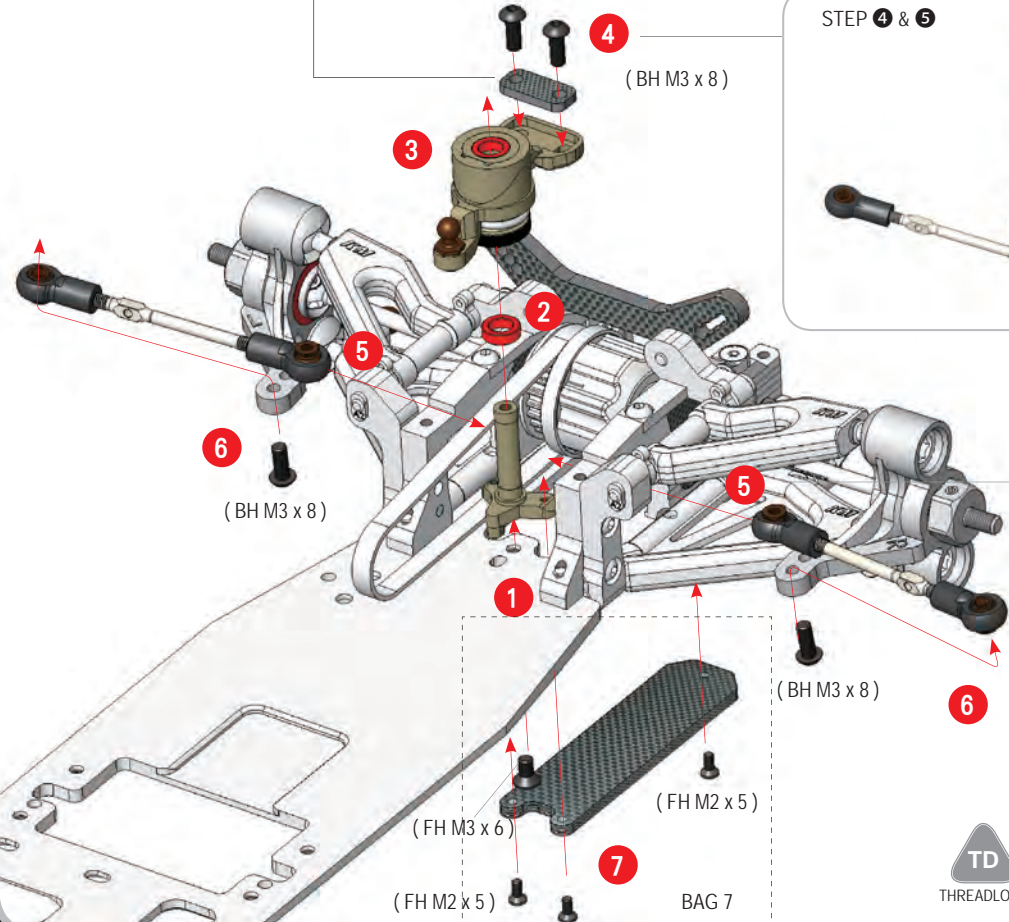
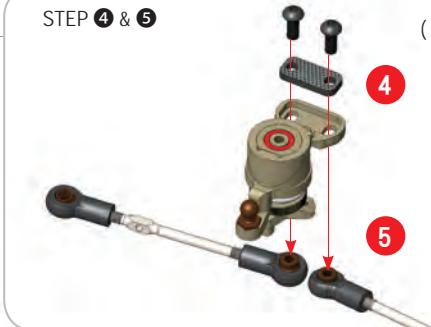


ASSEMBLED VIEW



STEP 4 & 5

(BH M3 x 8)



TD All screw must be applied threadlock glue !
THREADLOCK

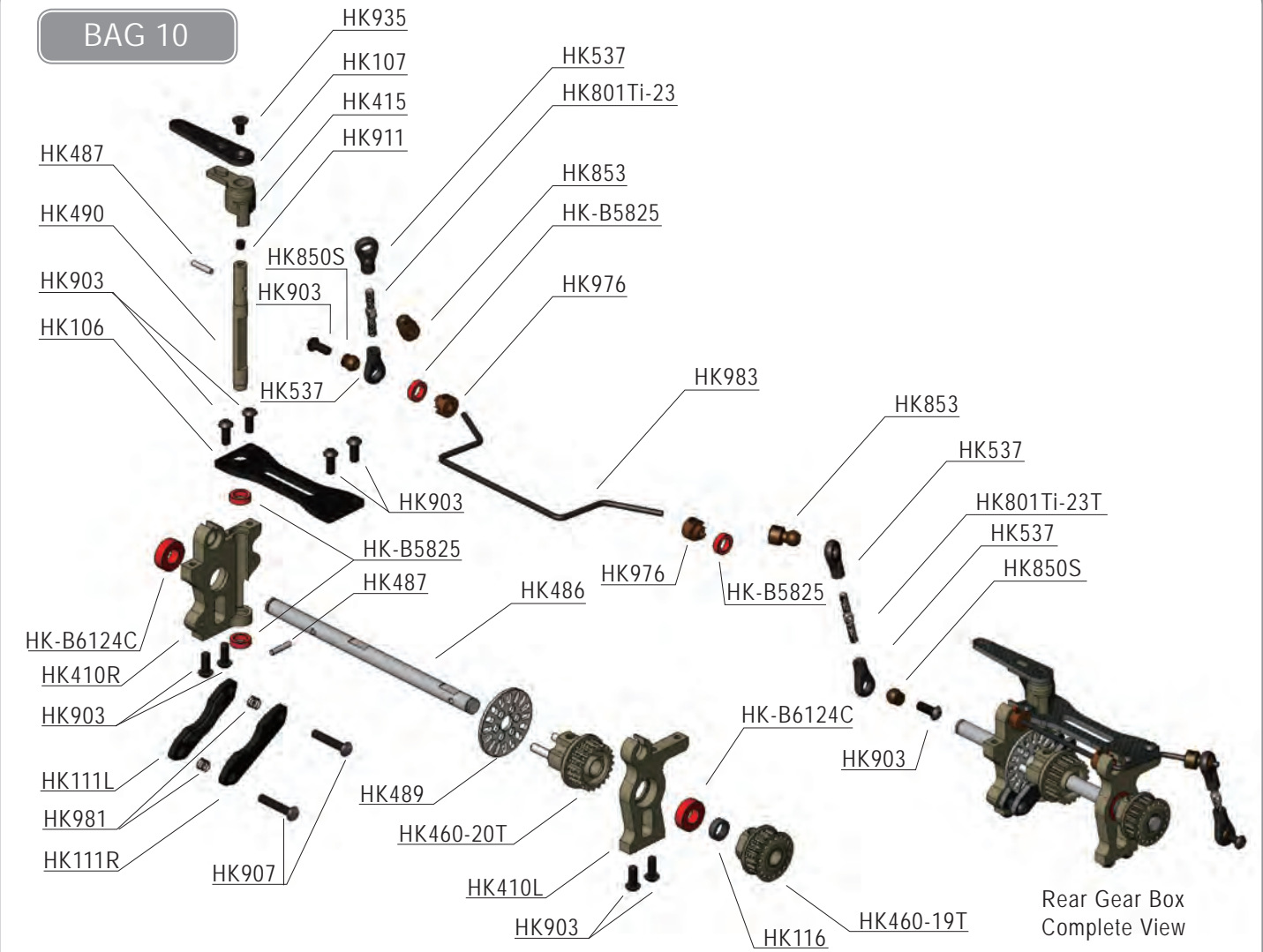
7. REAR SUSPENSION



Rear Suspension Complete View

B. REAR GEAR BOX ASSEM

Item No.	Description	Quantity	Item No.	Description	Quantity
HK108	2.5mm Carbon Camber Plate	x 1	HK536A	Link Plastic 16mm	x 4
HK109	4mm Rear Carbon Shock Tower	x 1	HK536B	Link Plastic 17.5mm	x 4
HK110L	4mm Rear Carbon Belt Adj. Bearing Hub Holder Left	x 1	HK536C	Link Plastic 21mm	x 4
HK110R	4mm Rear Carbon Belt Adj. Bearing Hub Holder Right	x 1	HK563	Bearing Bushing	x 2
HK177	Rear Belt	x 1	HK564	Ball Cup Screw (POM)	x 4
HK408	Alum. Hex Hub Adaptor	x 2	HK801Ti-23	Titanium Turnbuckle 23mm	x 2
HK413	Alum. Rear Arm Holder	x 1	HK850L	Ball Universal 5.8mm Hex (Long)	x 4
HK414	Alum. Rear Back Cover	x 1	HK852	8.5mm Ball Screw	x 4
HK411L	Alum. Rear Upper Bulkhead Left	x 1	HK901	BH M3 x 5	x 4
HK411R	Alum. Rear Upper Bulkhead Right	x 1	HK902	BH M3 x 6	x 4
HK412L	Alum. Rear Lower Bulkhead Left	x 1	HK903	BH M3 x 8	x 12
HK412R	Alum. Rear Lower Bulkhead Right	x 1	HK904	BH M3 x 10	x 2
HK482	Rear Lower Arm Pin	x 2	HK913	SS M3 x 8	x 4
HK484	Rear Dog Bone	x 2	HK914	SS M3 x 16	x 2
HK484A	Rear Wheel Hub	x 2	HK936	FH M3 x 8	x 2
HK487	D2 x 9.7 Pin	x 2	HK953	M4 Lock Nut	x 2
HK503	Rear Hub	x 2	HK975	Collar 3 x 6 x 3.5	x 2
HK504	Rear Lower Arm	x 2	HK-B10154	Steel Bearing 10 x 15 x 4	x 4
HK506A	1mm Caster Clips	x 4	HK-B6124	Steel Bearing 6 x 12 x 4	x 2
HK507A1	Roll Centre Collar A1	x 2			
HK507A2	Roll Centre Collar A2	x 2			
HK508B1	Roll Centre Collar B1	x 2			
HK508B2	Roll Centre Collar B2	x 2			
HK533	Rear Body Post	x 2			



Item No.	Description	Quantity	Item No.	Description	Quantity
HK106	2.5mm Rear Carbon Gear Box Upper Plate	x 1	HK801Ti-23	Titanium Turnbuckle 23mm	x 2
HK107	2mm Carbon Brake Arm	x 1	HK850S	Ball Universal 5.8mm Hex (Short)	x 2
HK111L	2.5mm Carbon Brake Plate With Pad Left	x 1	HK853	Rear Anti Roll Bar Ball	x 2
HK111R	2.5mm Carbon Brake Plate With Pad Right	x 1	HK903	BH M3 x 8	x 10
HK116	Carbon Main Shaft Collar	x 1	HK907	BH M3 x 16	x 2
HK410R	Alum. 2 Speed Shaft Stand Right	x 1	HK911	SS M3 x 3	x 1
HK410L	Alum. 2 Speed Shaft Stand Left	x 1	HK935	FH M3 x 6	x 1
HK415	Alum. Brake Arm Holder	x 1	HK962	E-Clip For 6.0 Shaft	x 1
HK460-19T	Alum. Pulley 19T	x 1	HK976	Rear Anti Roll Bar Stopper	x 2
HK460-20T	Alum. Brake Pulley 20T	x 1	HK981	Spring For Carbon Brake	x 2
HK486	Steel 2 Speed Shaft	x 1	HK983	Rear Anti Roll Bar 2.0	x 1
HK487	D2 x 9.7 Pin	x 2	HK-B5825	Bearing 5 x 8 x 2.5	x 4
HK489	Steel 1.5mm Brake Disc	x 1	HK-B6124C	Ceramic Bearing 6 x 12 x 4	x 2
HK490	Alum. Brake Post	x 1			
HK537	5.8mm Small Ball End For Anti Roll Bar	x 4			

B. REAR GEAR BOX ASSEM

(BH M3 x 16)

TD All screw must be applied threadlock glue!

DETAIL

Tighten both screws until ends are flush with outer edge of bulkhead.

(BH M3 x 6)

(BH M3 x 5)

(BH M3 x 6)

(BH M3 x 6)

(FH M3 x 8)

COMPLETED ASSEMBLY

TD All screw must be applied threadlock glue!

(SS M3 x 8) RIGHT REAR ARM

LEFT REAR ARM

(SS M3 x 8)

2.5mm

2.5mm

TD All screw must be applied threadlock glue!

B. REAR GEAR BOX ASSEM

(FH M3 x 8)

A2 +0.5mm

1mm

1mm

B2 +0.5mm

(BH M3 x 5)

(BH M3 x 8)

B2 +0.5mm

There are two different frames, rounded and square, however both feature the same eccentric holders			
A1	B1	A2	B2
+1.5		+0.5	INITIAL SETTING
A3	B3	A4	B4
-0.5		-1.5	

TD All screw must be applied threadlock glue!

STEP 5 DETAIL

Tighten setscrew onto flat spot

HK177

ASSEMBLED VIEW

TD All screw must be applied threadlock glue!

NOTE ORIENTATION

B. REAR GEAR BOX ASSEM

NOTE ORIENTATION
Both bushings MUST be in same position.

NOTE ORIENTATION
Both bushings MUST be in same position.

NOTE ORIENTATION
Both bushings MUST be in same position.

The brake disk MUST freely move between the brake pads. If not, loosen the two screws holding the brake pads.

TD
THREADLOCK
All screw must be applied threadlock glue!

(BH M3 x 8)

REAR BELT TENSION ADJUSTMENT
INITIAL POSITION

TO LOOSEN REAR BELT
Plus the bushing into the following carbon hub position

REAR BELT TENSION ADJUSTMENT
INITIAL POSITION

TO TIGHTEN REAR BELT
Plus the bushing into the following carbon hub position

TD
THREADLOCK
All screw must be applied threadlock glue!

(BH M3 x 8)

(BH M3 x 8)
(SS M3 x 3)

Pin MUST protrude equally on both sides of camshaft

(BH M3 x 8)

(BH M3 x 8)

B. REAR GEAR BOX ASSEM

HK 537

16mm (1:1)

Note the angle difference between the ball joints

45mm (1:1)

Do NOT fully tighten the setscrew; the joint MUST fit over the anti-roll bar wire

(BH M3 x 8)

TD
THREADLOCK
All screw must be applied threadlock glue!

COMPLETE VIEW

DETAIL
Wire should be flush with end of ball screw

Tight up the set screw after the bearing are positioned

DETAIL

Ball screw MUST move freely

During initial assembly, tighten each aluminum hex nut until the ball screw starts to have resistance, then loosen slightly. Verify that the ball screw move freely.

8. REAR GEAR BOX ASSEM

TD All screw must be applied threadlock glue!

(SS M3 x 16)

INITIAL POSITION

Tight up the set screw

Ensure that both suspension assemblies move freely.
Repeat it AFTER the camber links are installed.

HK 536B

17.5mm (1:1)

Note the 90° angle difference between the ball joints

44.5mm (1:1)

(BH M3 x 8)

INITIAL POSITION

TD All screw must be applied threadlock glue!

THREADLOCK

9. TWO SPEED TRANSMISSION

BAG 11

2 Speed Complete View

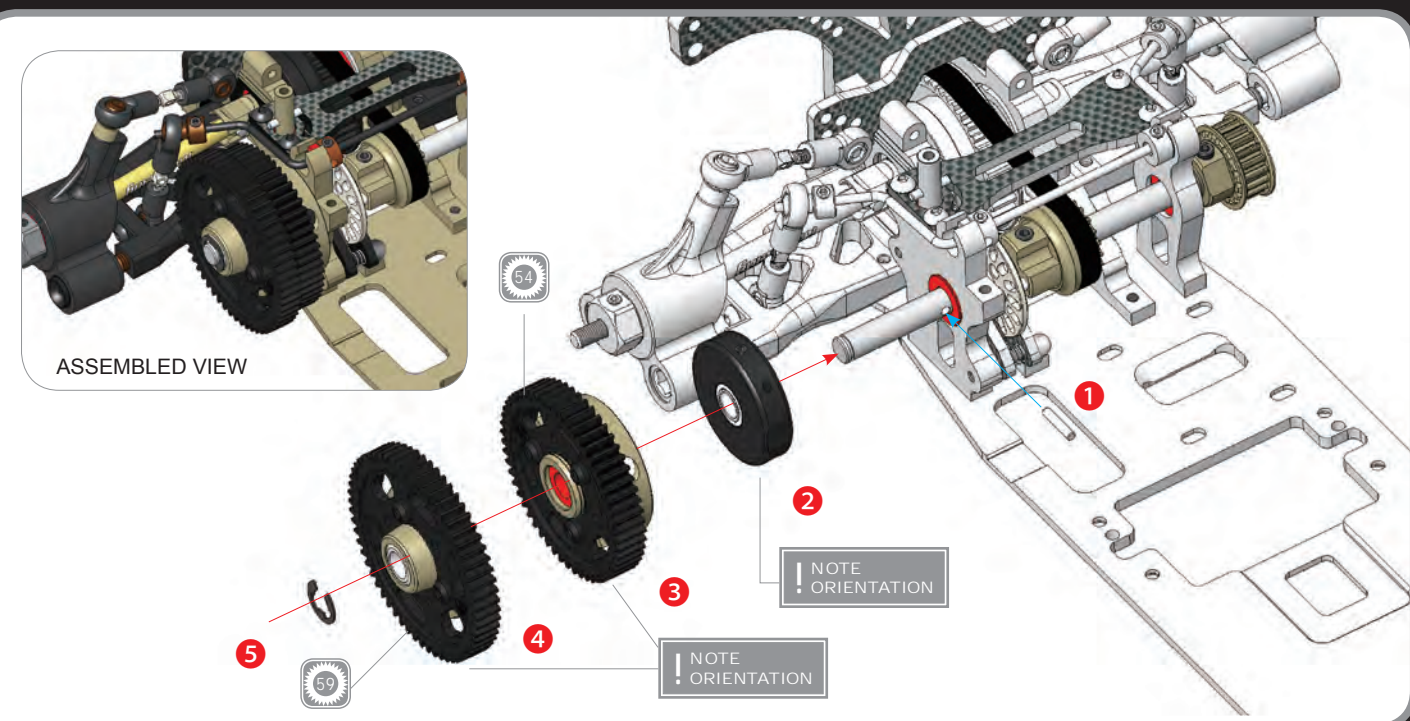
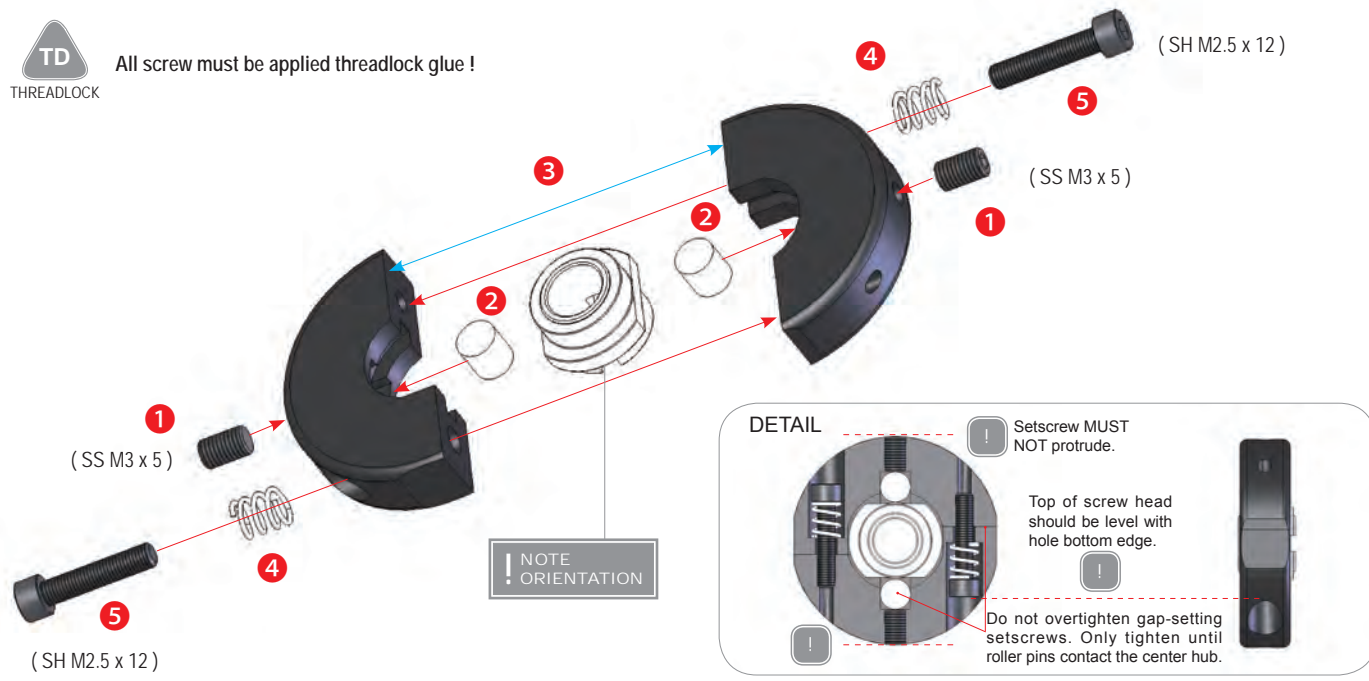
Item No.	Description	Quantity	Item No.	Description	Quantity
HK470	Alum. 2 Speed Gear Housing	x 1	HK551-59T	Spur Gear 59T (1st)	x 1
HK471	Alum. 1st Gear Housing With One Way Bearing	x 1	HK552-54T	Spur Gear 54T (2nd)	x 1
HK472	Steel 2 Speed Adapter	x 1	HK912	SS M3 x 5	x 2
HK473	Roller Pin For 2 Speed Shoes	x 2	HK922	SH M2.5 x 12	x 2
HK478	Spring For 2 Speed Shoes	x 2	HK935	x 6	
HK550	2 Speed Shoes	x 2			

Tight up the set screw

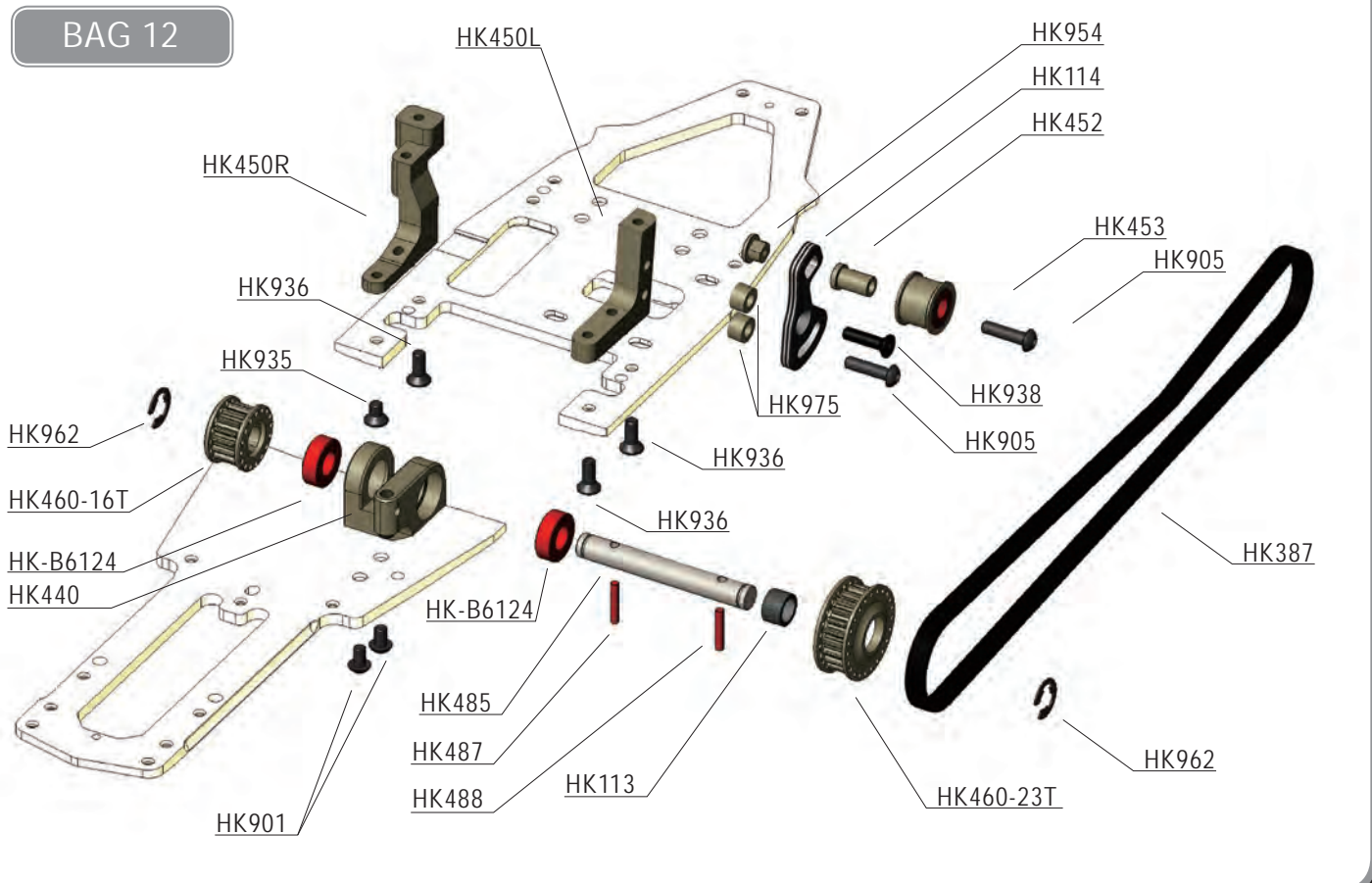
9. TWO SPEED TRANSMISSION



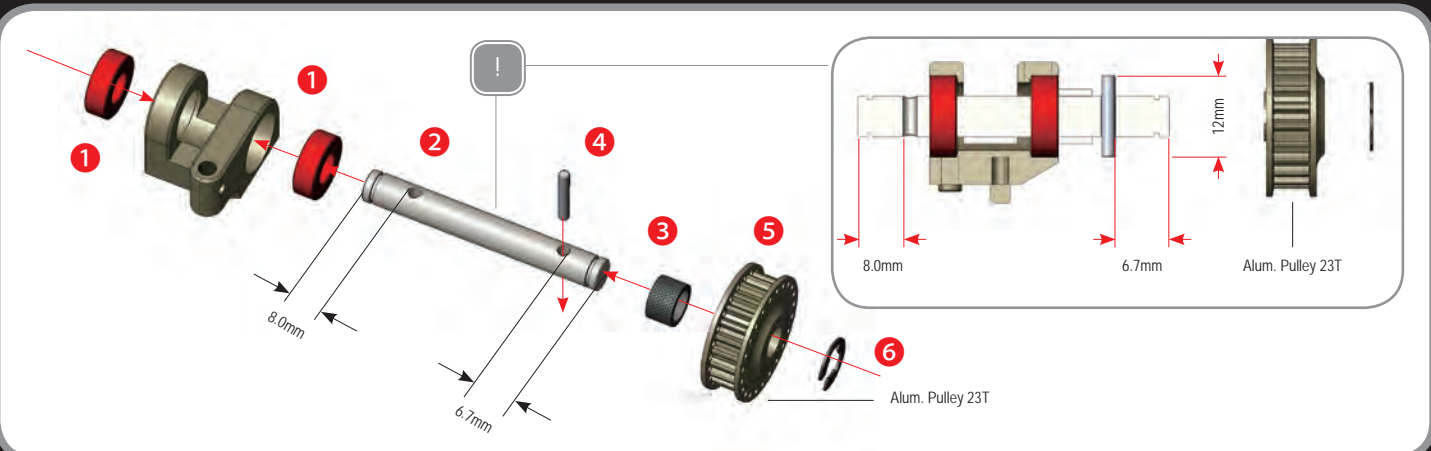
All screw must be applied threadlock glue!



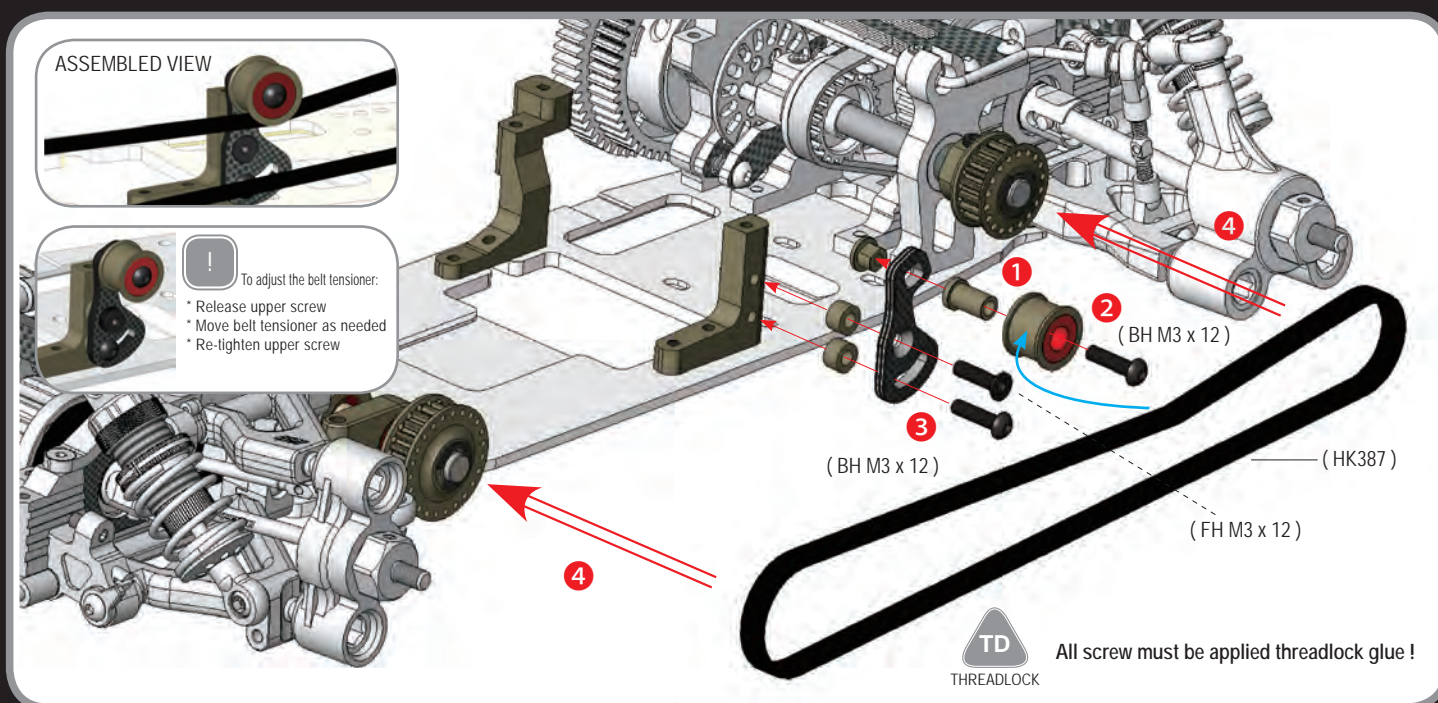
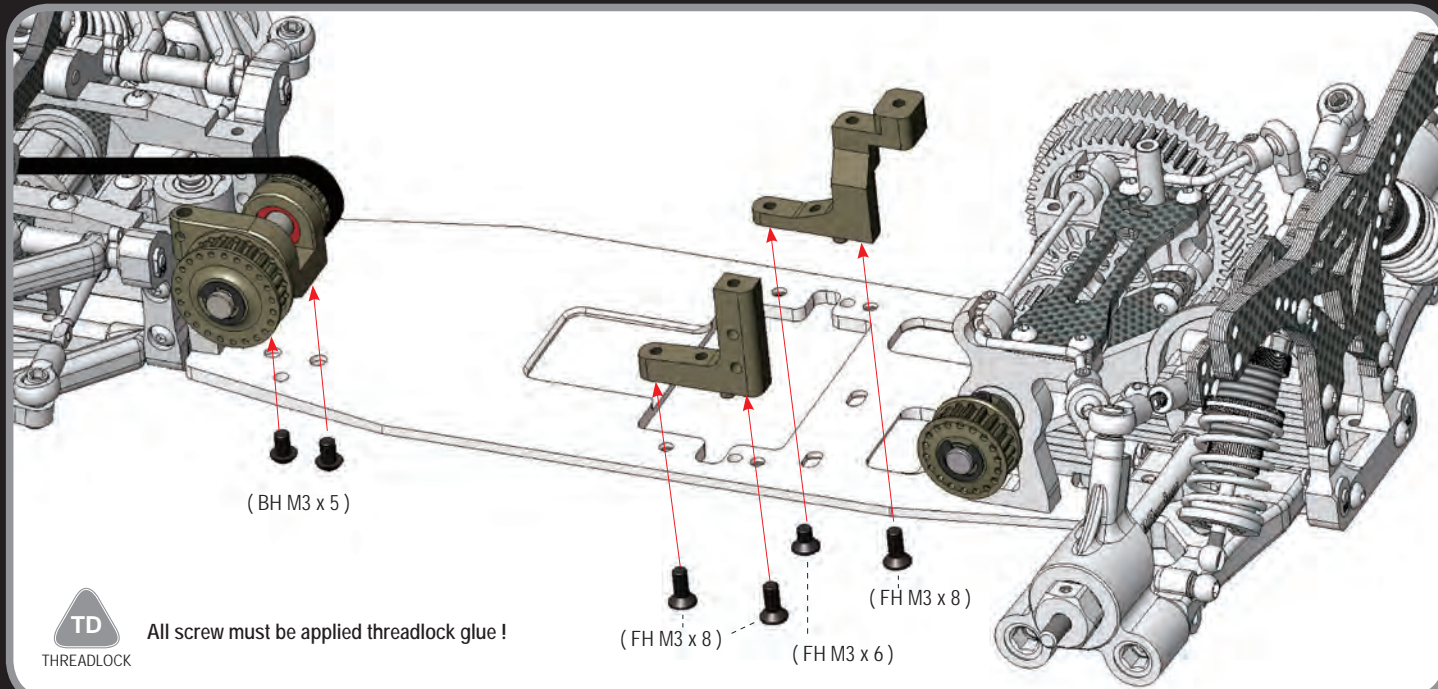
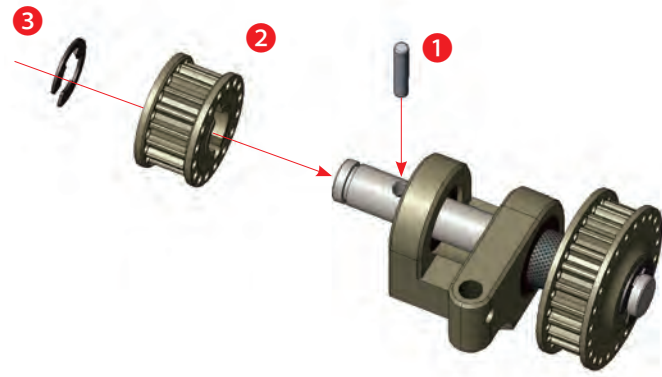
10. MIDDLE TRANSMISSION



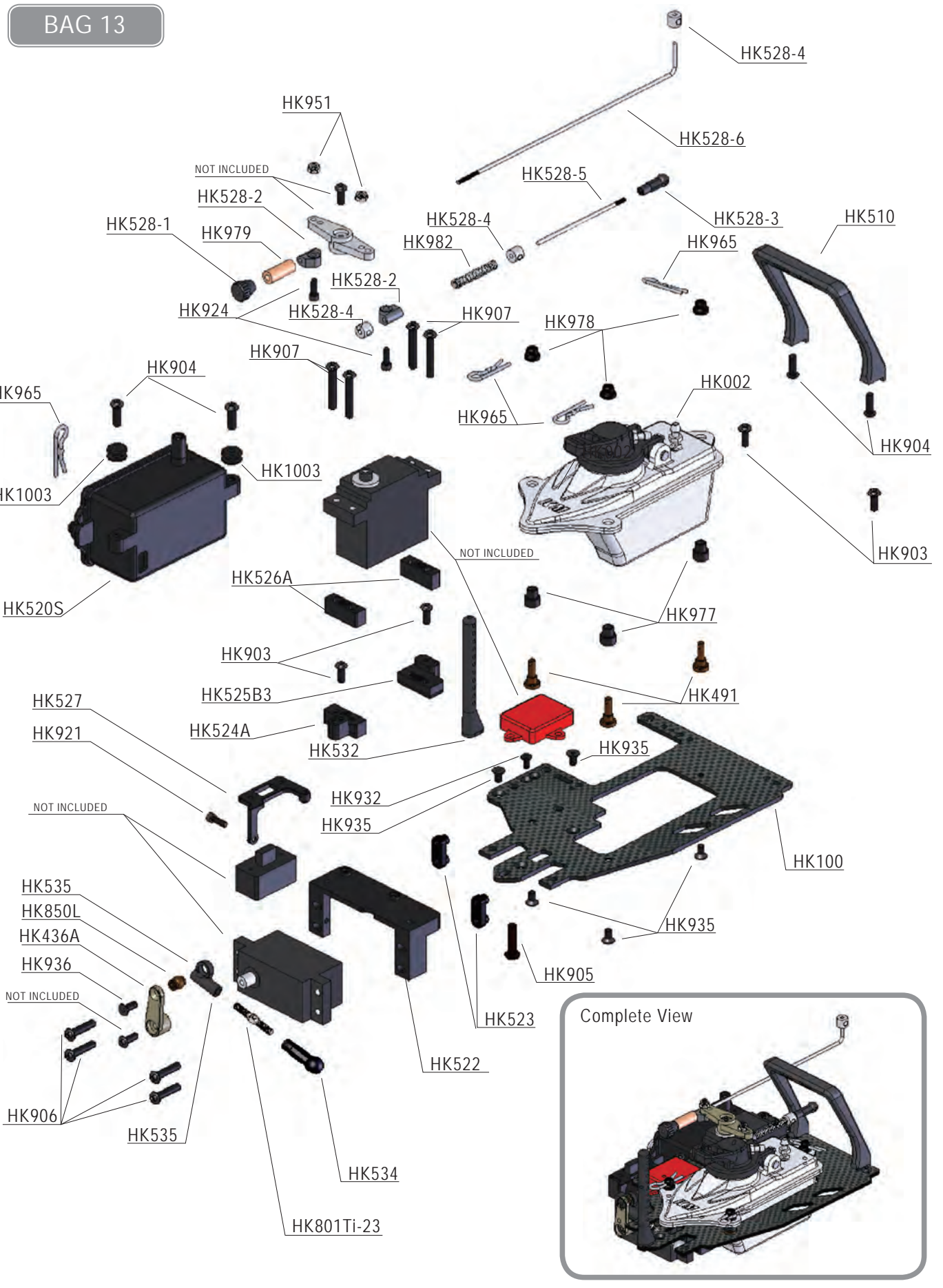
Item No.	Description	Quantity	Item No.	Description	Quantity
HK113	Carbon Middle Shaft Collar	x 1	HK487	D2 x 9.7 Pin	x 1
HK114	Carbon Belt Tension Stand	x 1	HK488	D2 x 12 Pin	x 1
HK387	Middle Belt	x 1	HK901	BH M3 x 5	x 2
HK440	Alum. Centre Mount	x 1	HK905	BH M3 x 12	x 2
HK450L	Alum. Radio Plate Mount Left	x 1	HK935	FH M3 x 6	x 1
HK450R	Alum. Radio Plate Mount Right	x 1	HK936	FH M3 x 8	x 3
HK452	Belt Tension Shaft	x 1	HK938	FH M3 x 12	x 1
HK453	Belt Bearing Housing With Bearing	x 1	HK954	Side Belt Bearing Nut	x 1
HK460-16T	Alum. Pulley 16T	x 1	HK962	E- Clip For 6.0 Shaft	x 2
HK460-23T	Alum. Pulley 23T	x 1	HK975	Collar 3 x 6 x 3.5	x 2
HK485	Titanium Middle Shaft	x 1	HK-B6124	Steel Bearing 6 x 12 x 4	x 2



10. MIDDLE TRANSMISSION



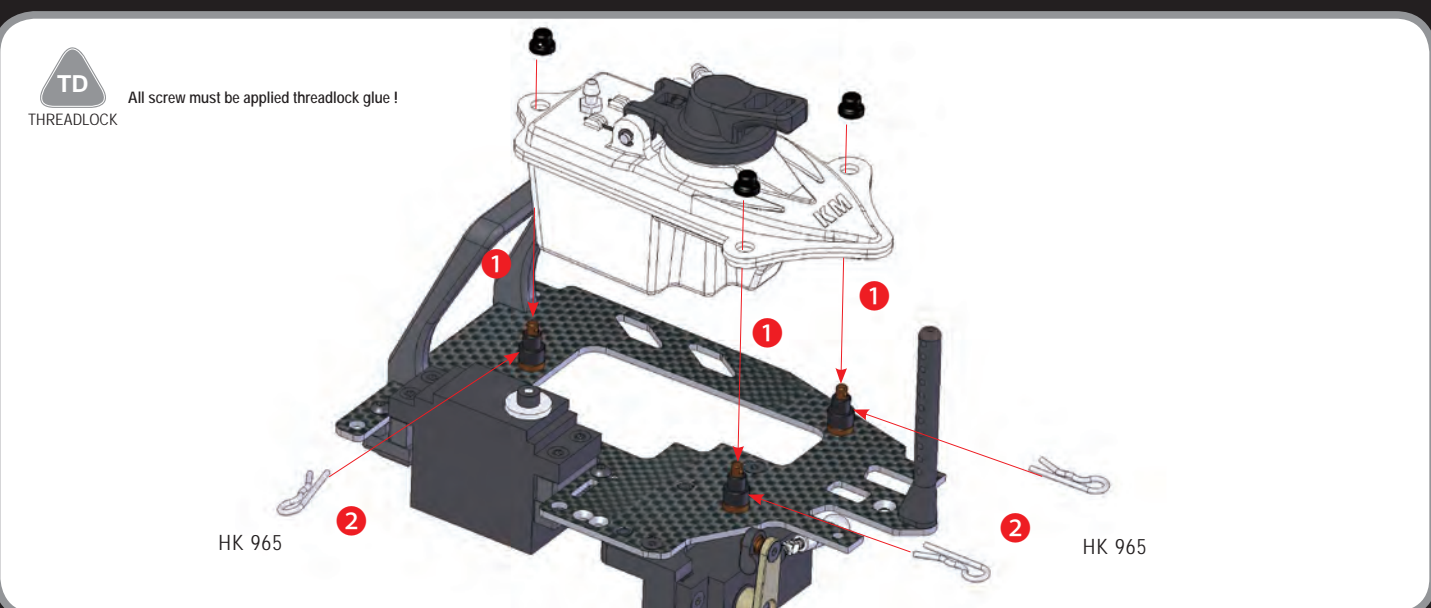
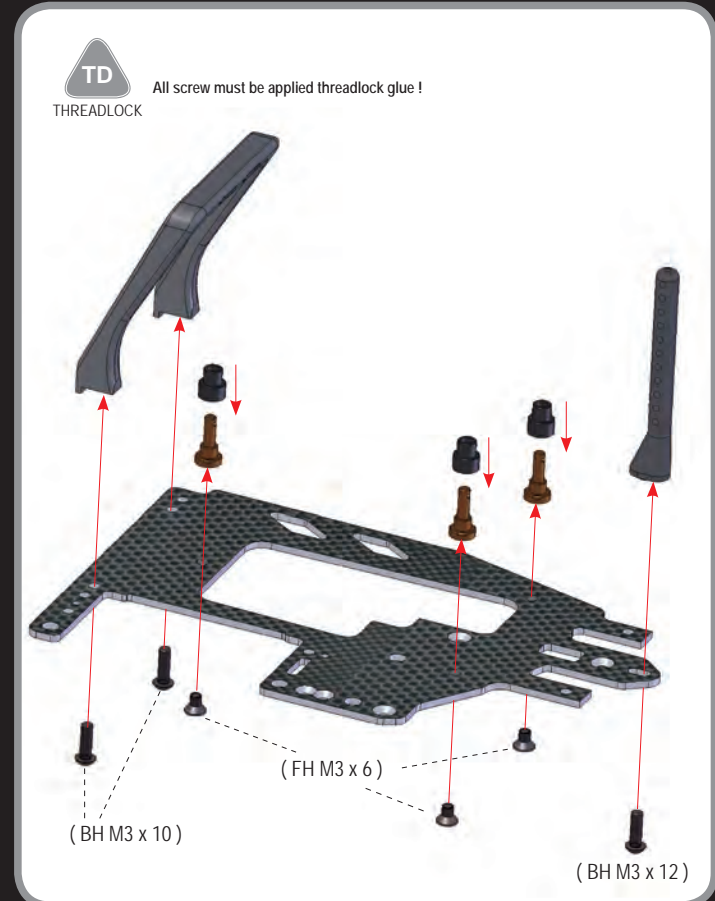
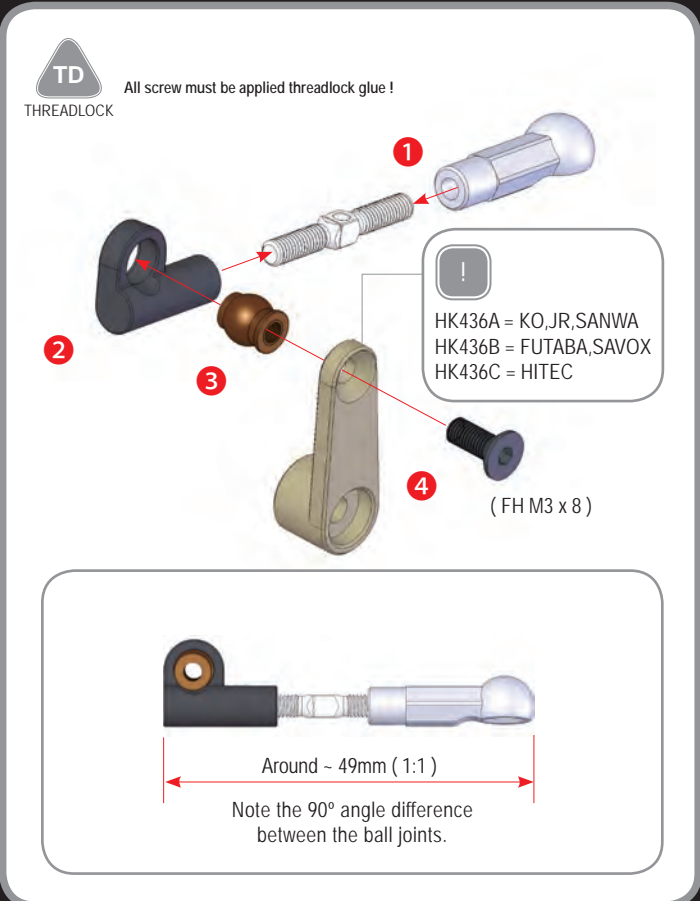
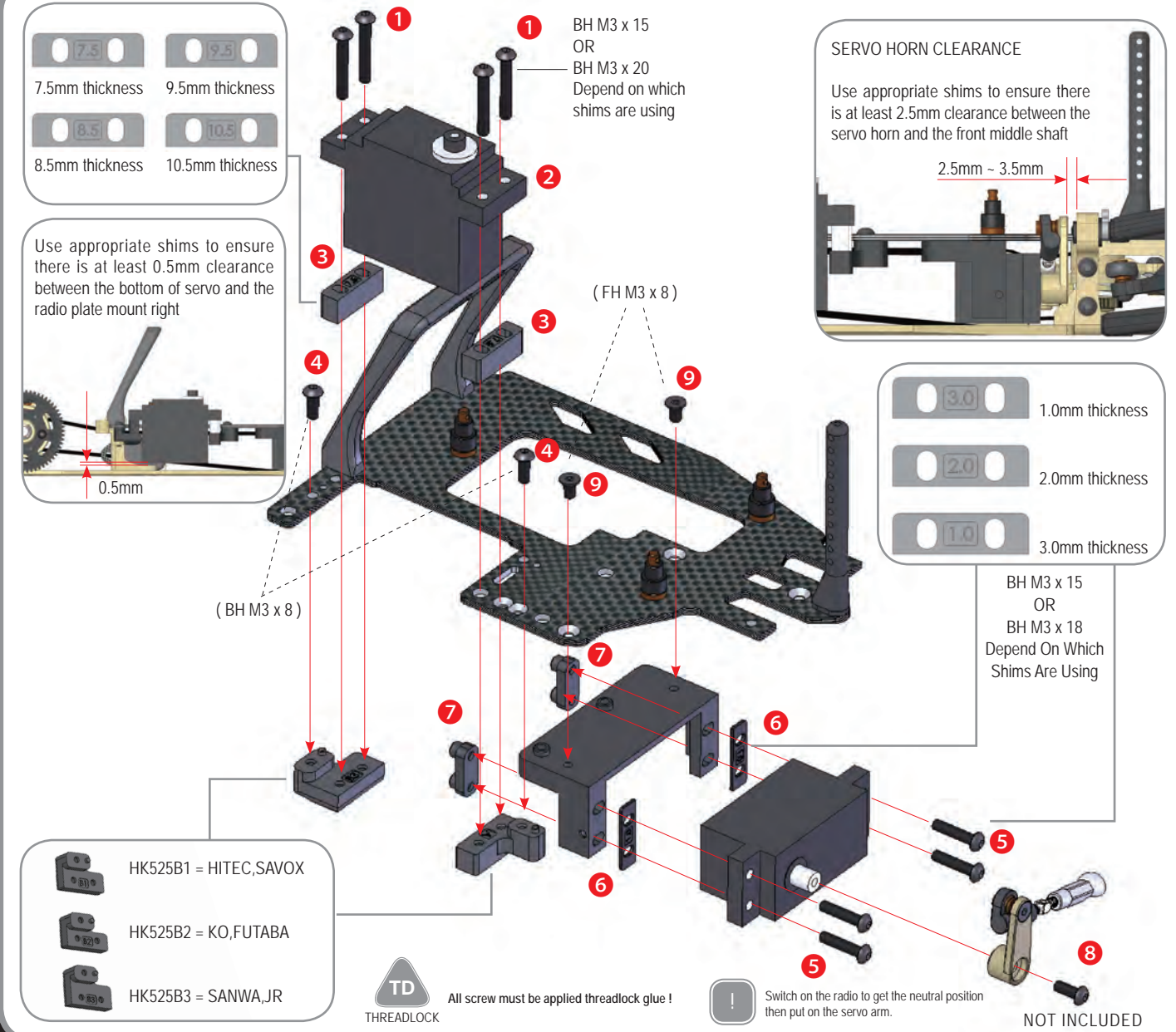
11. UPPER DECK ASSEMBLY



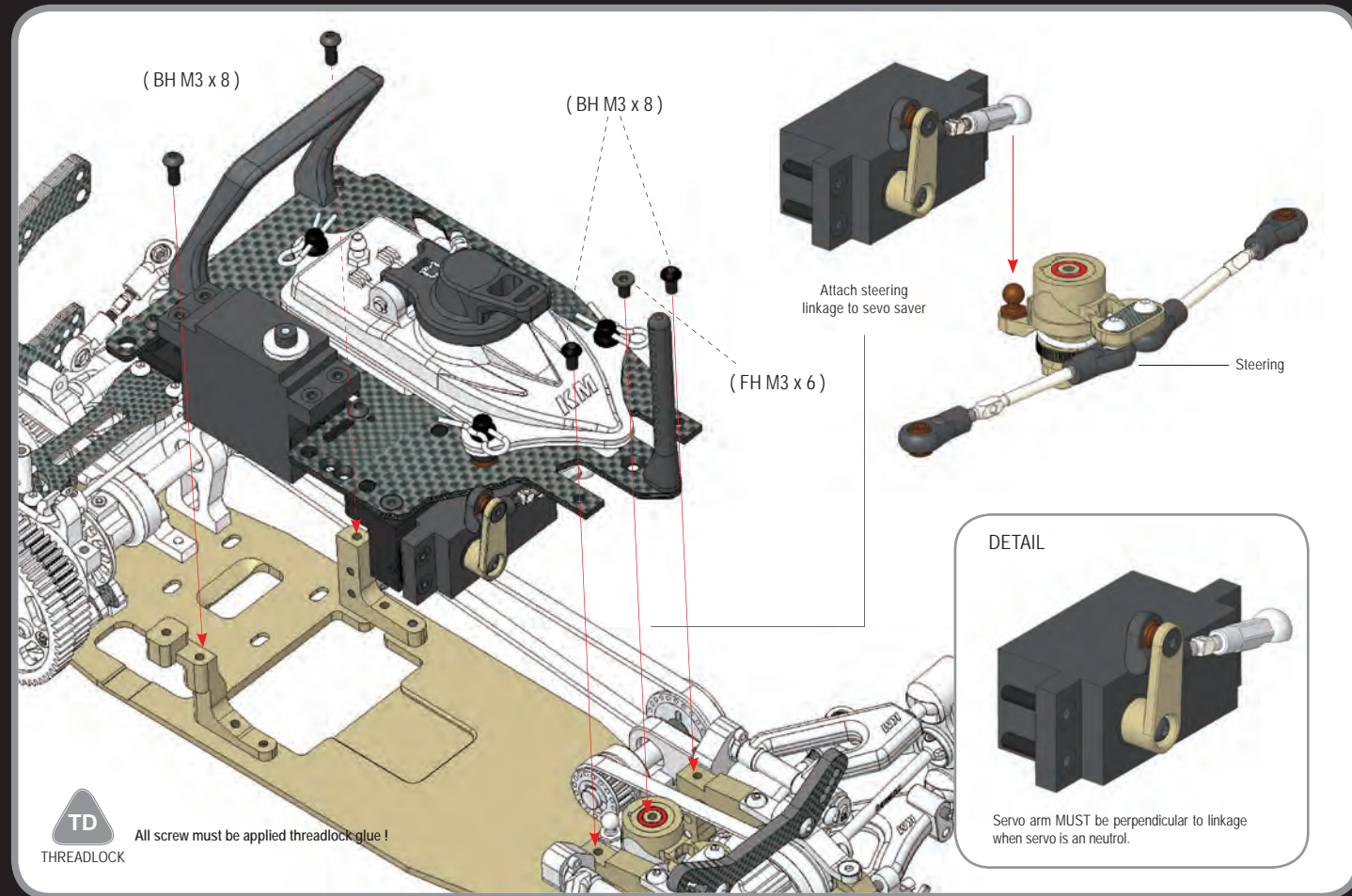
11. UPPER DECK ASSEMBLY

▶ Item No.	▶ Description	▶ Quantity	▶ Item No.	▶ Description	▶ Quantity
HK002	Fuel Tank	x 1	HK528-5	Throttle Link	x 1
HK100	2mm Carbon Upper Deck	x 1	HK528-6	Brake Post Link	x 1
HK1003	Upper Deck O-Ring	x 2	HK529	Receiver Tray	x 1
HK436A	Steering Servo Horn for KO,JR,SANWA	x 1	HK532	Front Body Post	x 1
HK436B	Steering Servo Horn for FUTABA,SAVOX	x 1	HK534	4.8mm Ball End	x 1
HK436C	Steering Servo Horn for HITEC	x 1	HK535	5.8L Type Ball End	x 1
HK491	Fuel Tank Support Shaft	x 3	HK801Ti-23	Titanium Turnbuckle 23mm	x 1
HK510	Handle	x 1	HK850L	Ball Universal 5.8mm Hex (Long)	x 1
HK520S	Receiver Box	x 1	HK903	BH M3 x 8	x 4
HK522	Steering Servo Mount	x 1	HK904	BH M3 x 10	x 4
HK523	Steering Servo Holder	x 2	HK905	BH M3 x 12	x 1
HK 524A	Throttle Servo Holder A	x 1	HK906	BH M3 x 14	x 4
HK525B1	Throttle Servo Holder B1 HITEC,SAVOX	x 1	HK907	BH M3 x 16	x 4
HK525B2	Throttle Servo Holder B2 KO,FUTABA	x 1	HK908	BH M3 x 18	x 4
HK525B3	Throttle Servo Holder B3 SANWA,JR	x 1	HK909	BH M3 x 20	x 4
HK 526A	Servo Shims 7.5mm	x 2	HK921	SH M2.5 x 8	x 1
HK 526B	Servo Shims 8.5mm	x 2	HK924	SH M2.5 x 10	x 2
HK 526C	Servo Shims 9.5mm	x 2	HK932	FH M2.5 x 6	x 1
HK 526D	Servo Shims 10.5mm	x 2	HK935	FH M3 x 6	x 5
HK527	Switch Plate	x 1	HK936	FH M3 x 8	x 1
HK527A	Servo Shims 1.0mm	x 2	HK951	M2.5 Nut	x 2
HK527B	Servo Shims 2.0mm	x 2	HK965	Body Clip	x 4
HK527C	Servo Shims 3.0mm	x 2	HK977	Fuel Tank Shaft Rubber (Bottom)	x 3
HK528-1	Brake Adj. Nut	x 1	HK978	Fuel Tank Shaft Rubber (Top)	x 3
HK528-2	Linkage Pivot	x 2	HK982	Throttle Spring	x 2
HK528-3	Throttle Servo Link Cap	x 1			
HK528-4	Linkage Stopper	x 4			

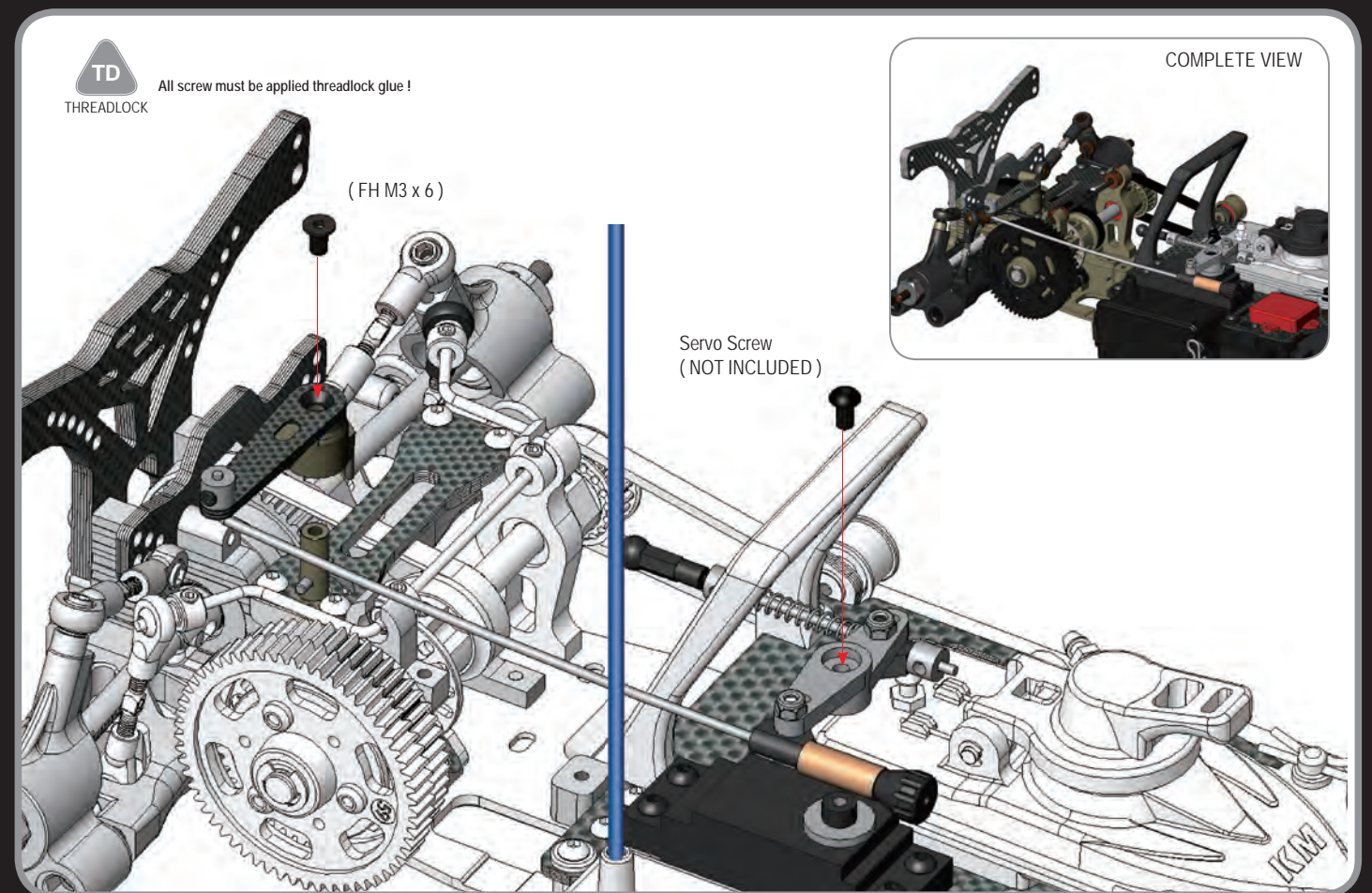
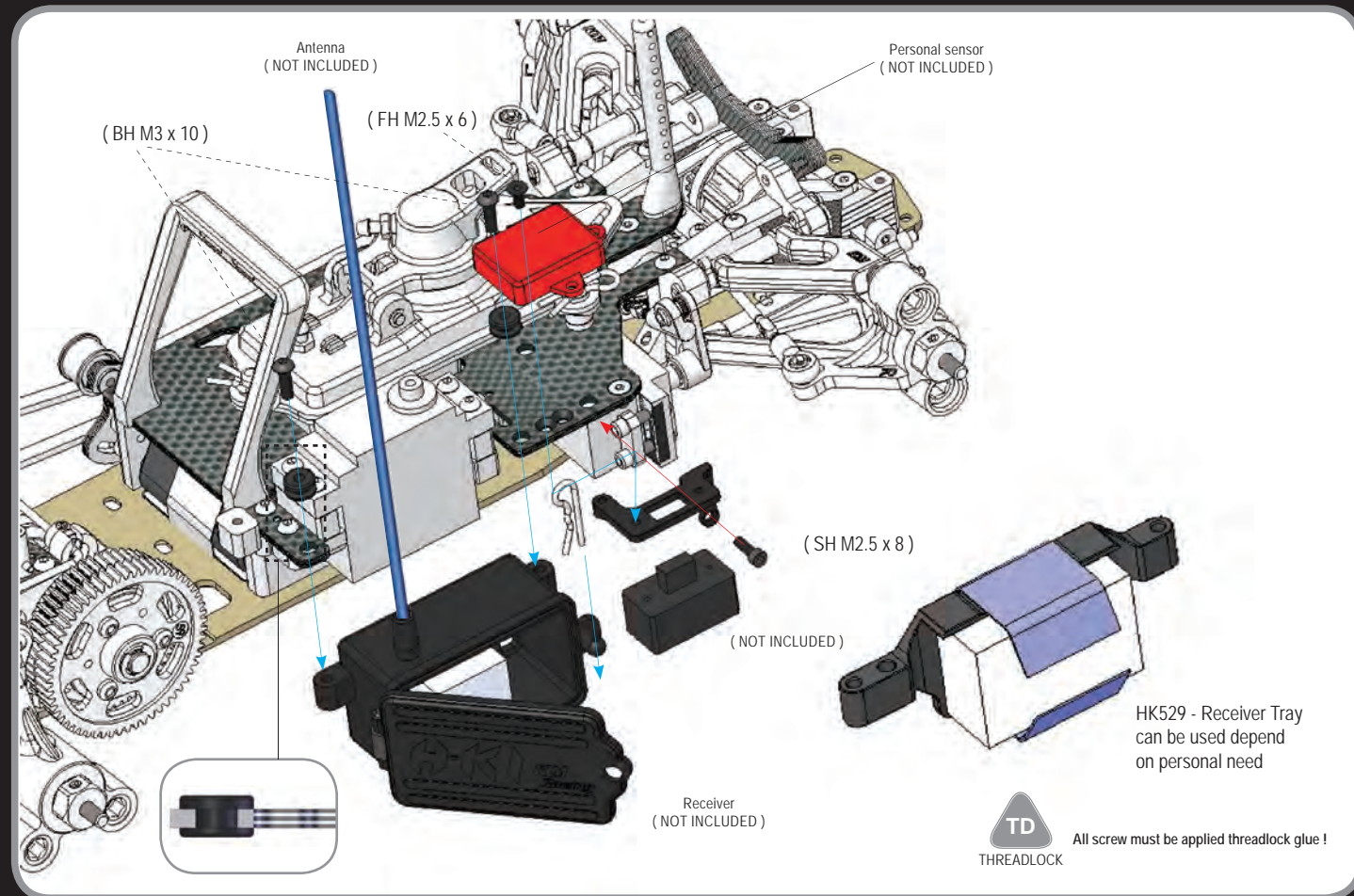
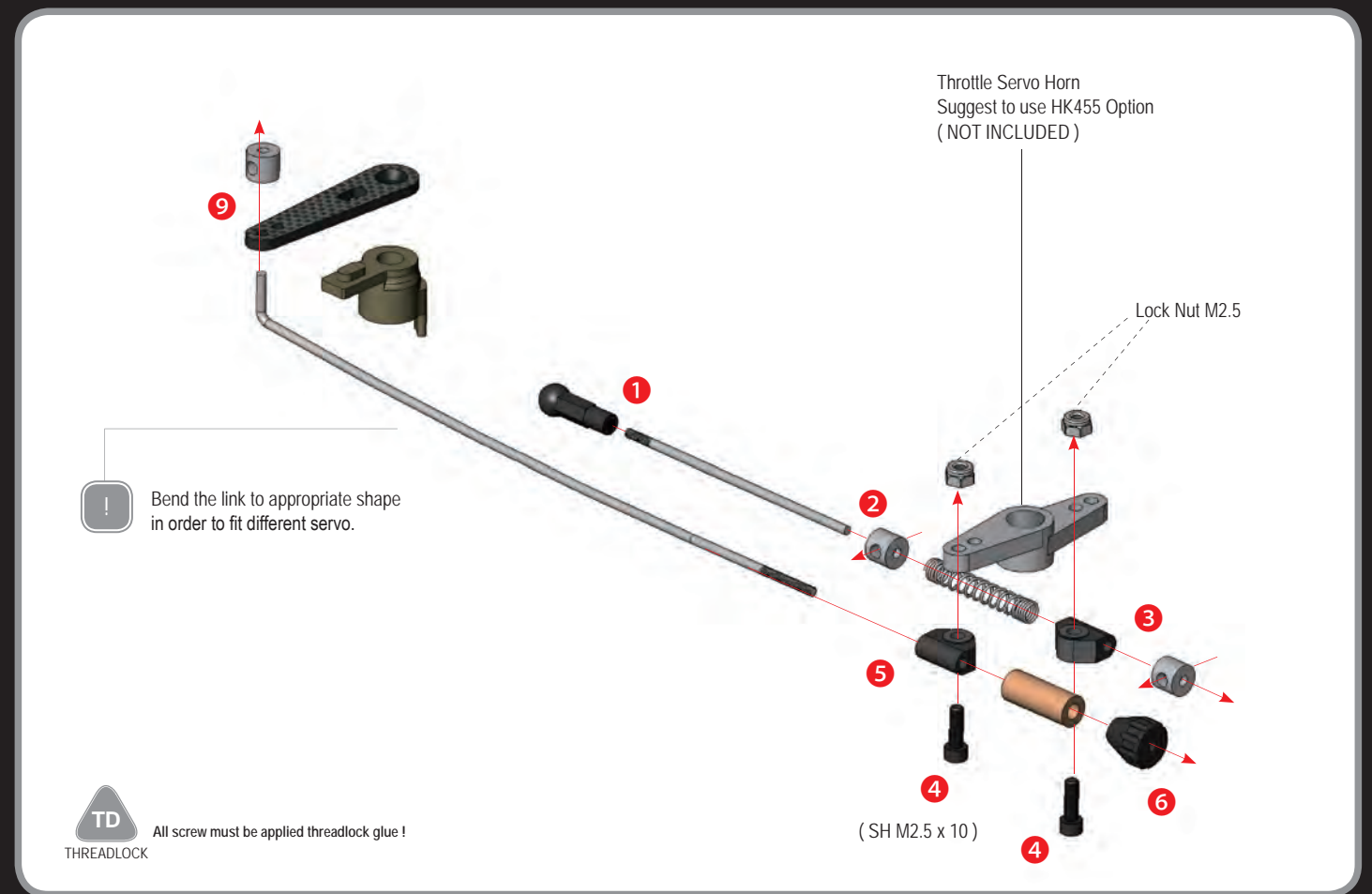
11. UPPER DECK ASSEMBLY



11. UPPER DECK ASSEMBLY



11. UPPER DECK ASSEMBLY



12. ENGINE & CLUTCH

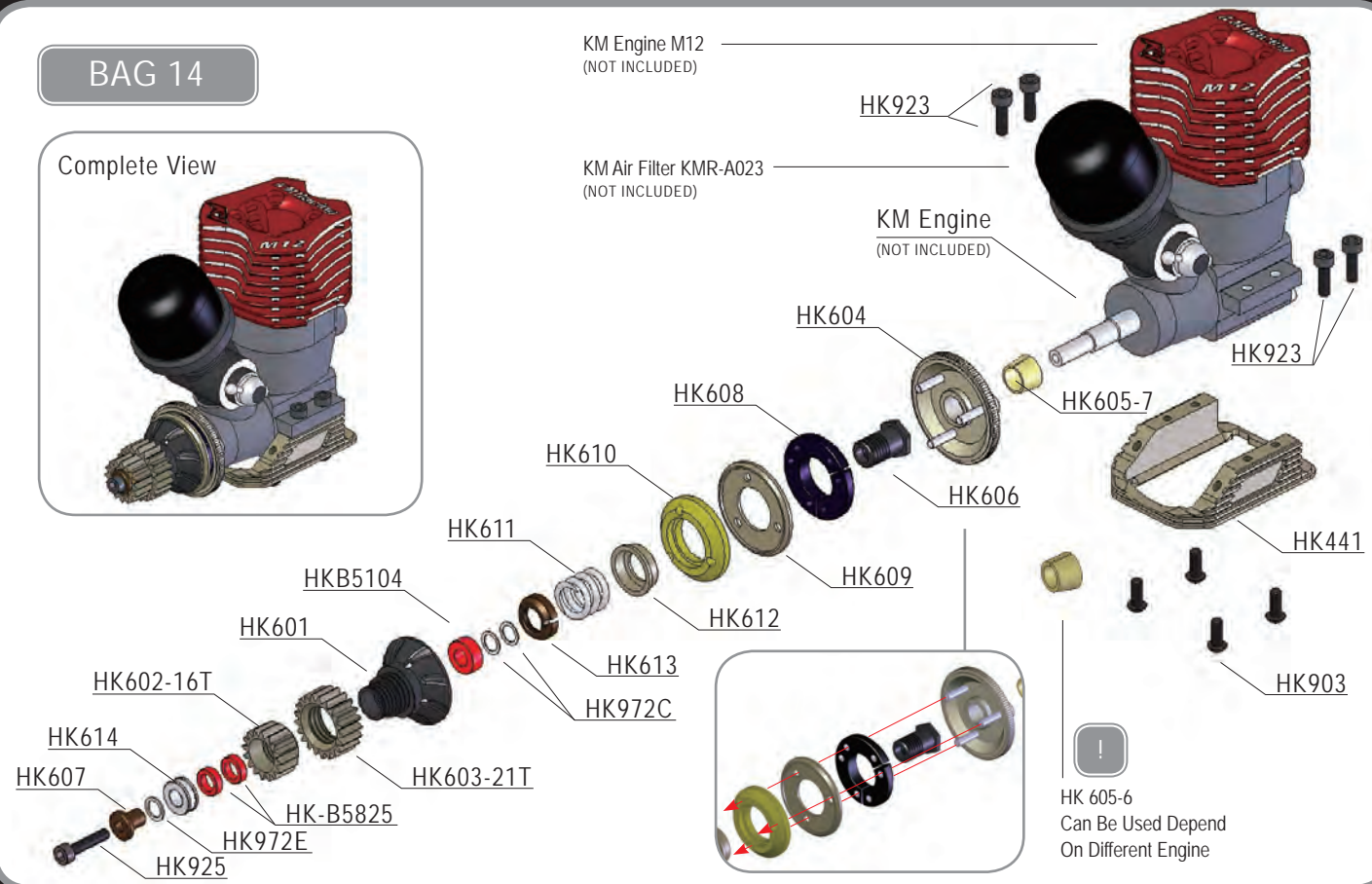
BAG 14

Complete View

KM Engine M12
(NOT INCLUDED)

KM Air Filter KMR-A023
(NOT INCLUDED)

KM Engine
(NOT INCLUDED)

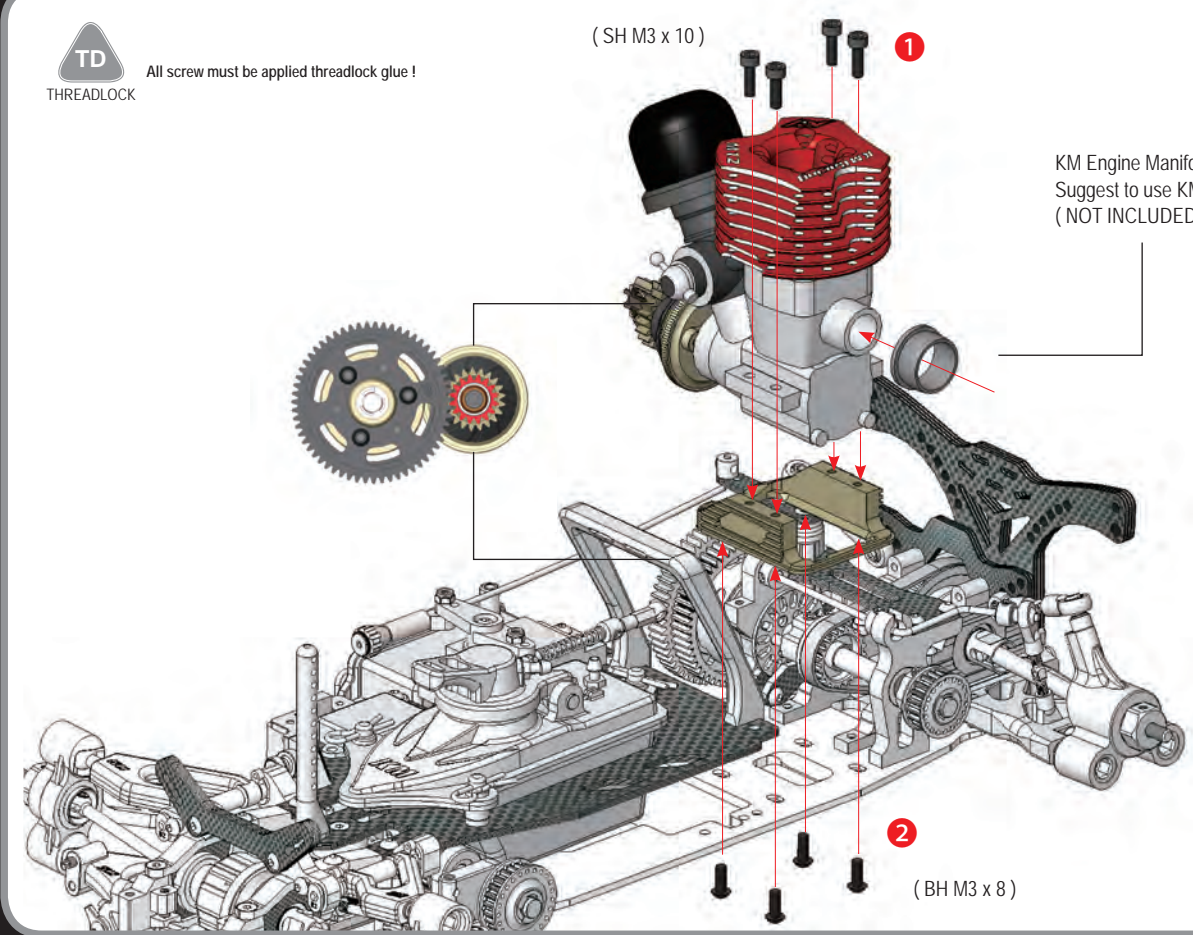


12. ENGINE & CLUTCH

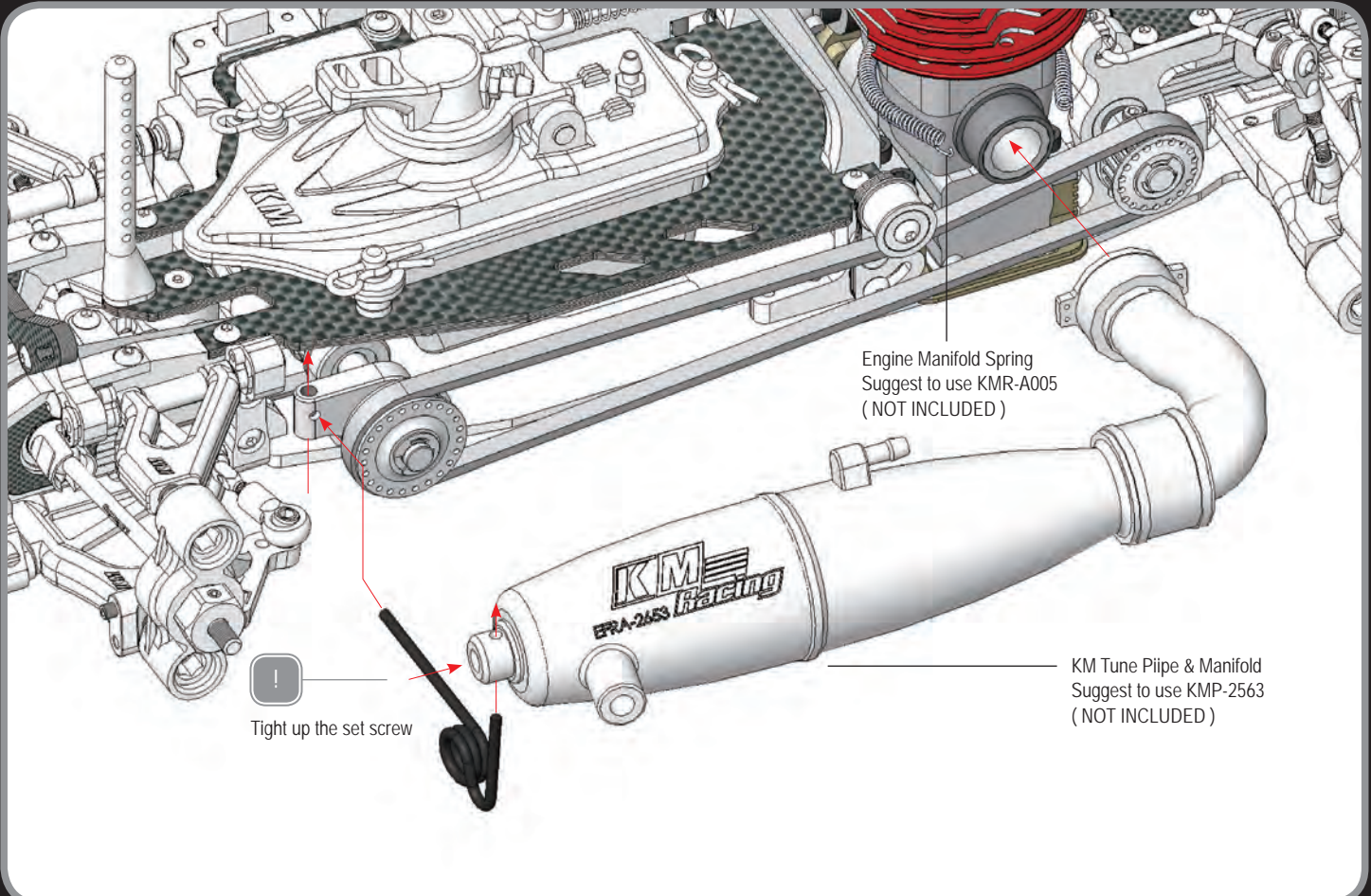
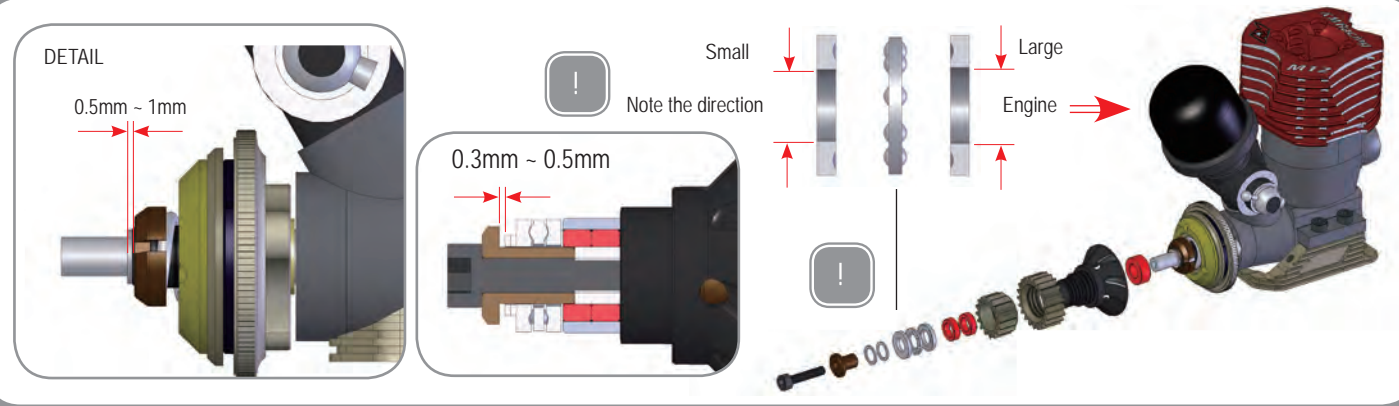
TD
THREADLOCK
All screw must be applied threadlock glue!

(SH M3 x 10)

KM Engine Manifold Silicone
Suggest to use KMR-A007
(NOT INCLUDED)



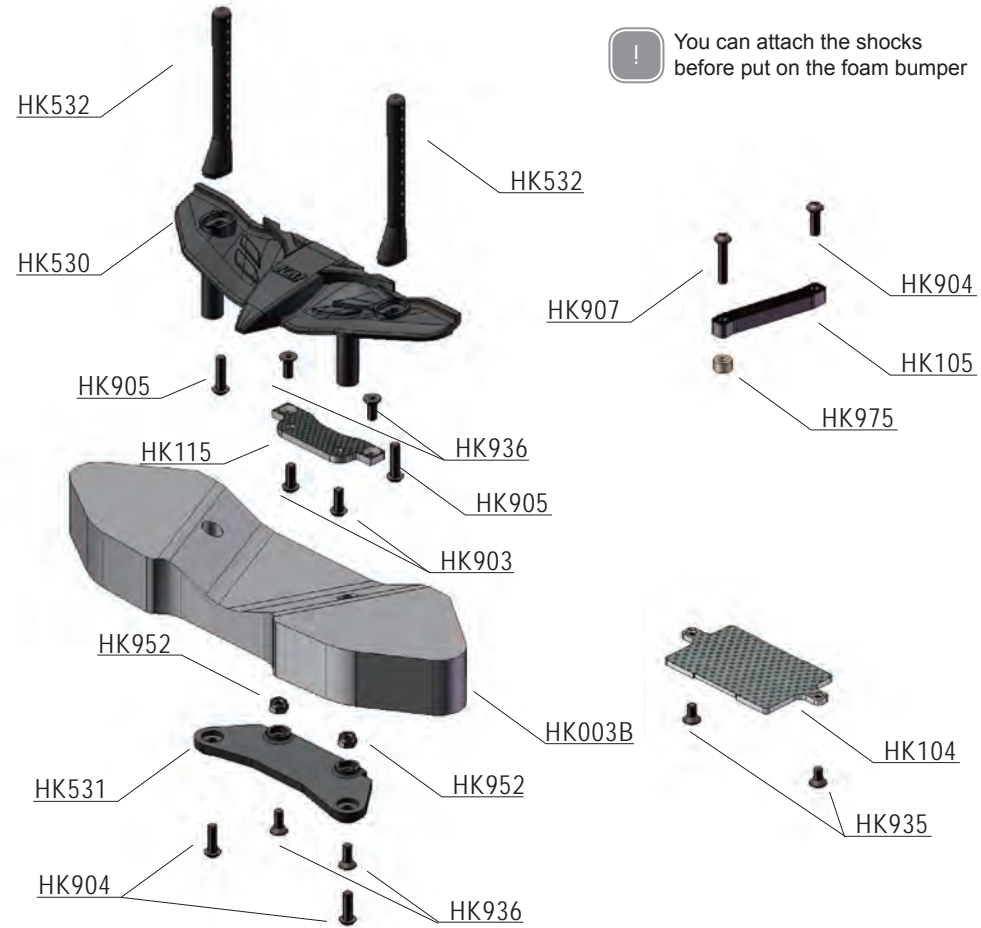
Item No.	Description	Quantity	Item No.	Description	Quantity
HK441	Engine Mount	x 1	HK613	Spring Nut	x 1
HK601	Steel Clutch Bell	x 1	HK614	Trust Bearing	x 1
HK602-16T	Pinion Gear 16T	x 1	HK903	BH M3 x 8	x 4
HK603-21T	Pinion Gear 21T	x 1	HK923	SH M3 x 10	x 4
HK604	Flywheel	x 1	HK925	SH M3 x 15	x 1
HK605-6	Tapered collar 6mm	x 1	HK972A	S 5 x 7 x 0.1 Shims	x 2
HK605-7	Tapered collar 7mm	x 1	HK972B	S 5 x 7 x 0.2 Shims	x 2
HK606	Flywheel Nut	x 1	HK972C	S 5 x 7 x 0.3 Shims	x 2
HK607	Clutch Bell Bushing	x 1	HK972D	S 5 x 7 x 0.4 Shims	x 2
HK608	Clutch Flyweight	x 3	HK972E	S 5 x 7 x 0.5 Shims	x 2
HK609	Clutch Disc	x 1	HK995	Muffler Stay Spring Link	x 1
HK610	Clutch Shoe (Yellow)	x 1	HK-B5104	Bearing 5 x 10 x 4	x 1
HK611	Clutch Spring	x 1	HK-B5825	Steel Bearing 5 x 8 x 2.5	x 2
HK612	Spring Catch	x 1			



13. FRONT BUMPER & BATTERY PLATE & REAR STIFFENER

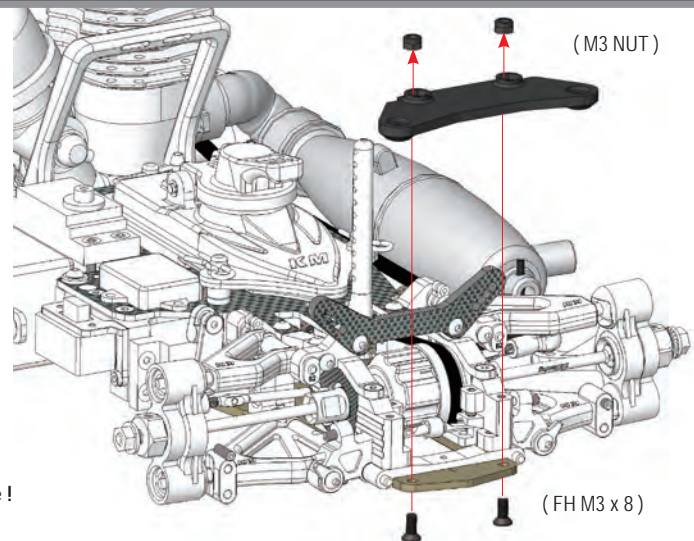
13. FRONT BUMPER & BATTERY PLATE & REAR STIFFENER

BAG 15



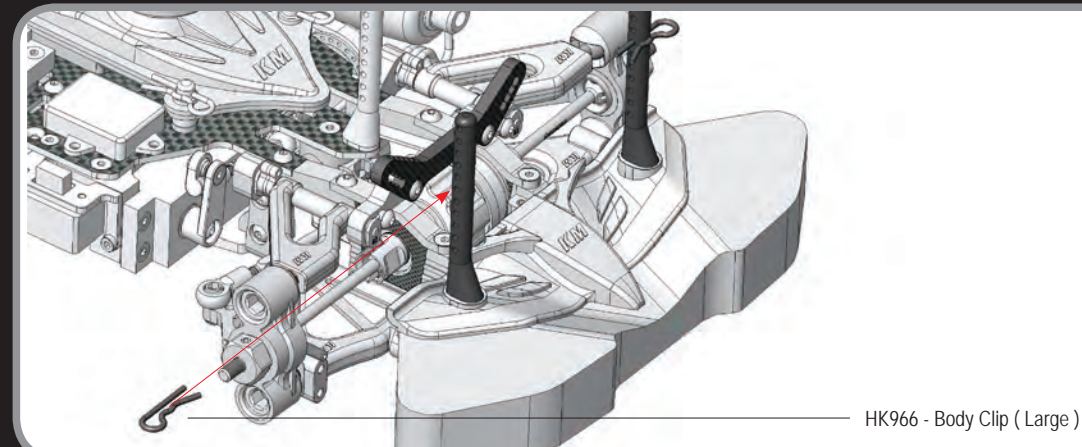
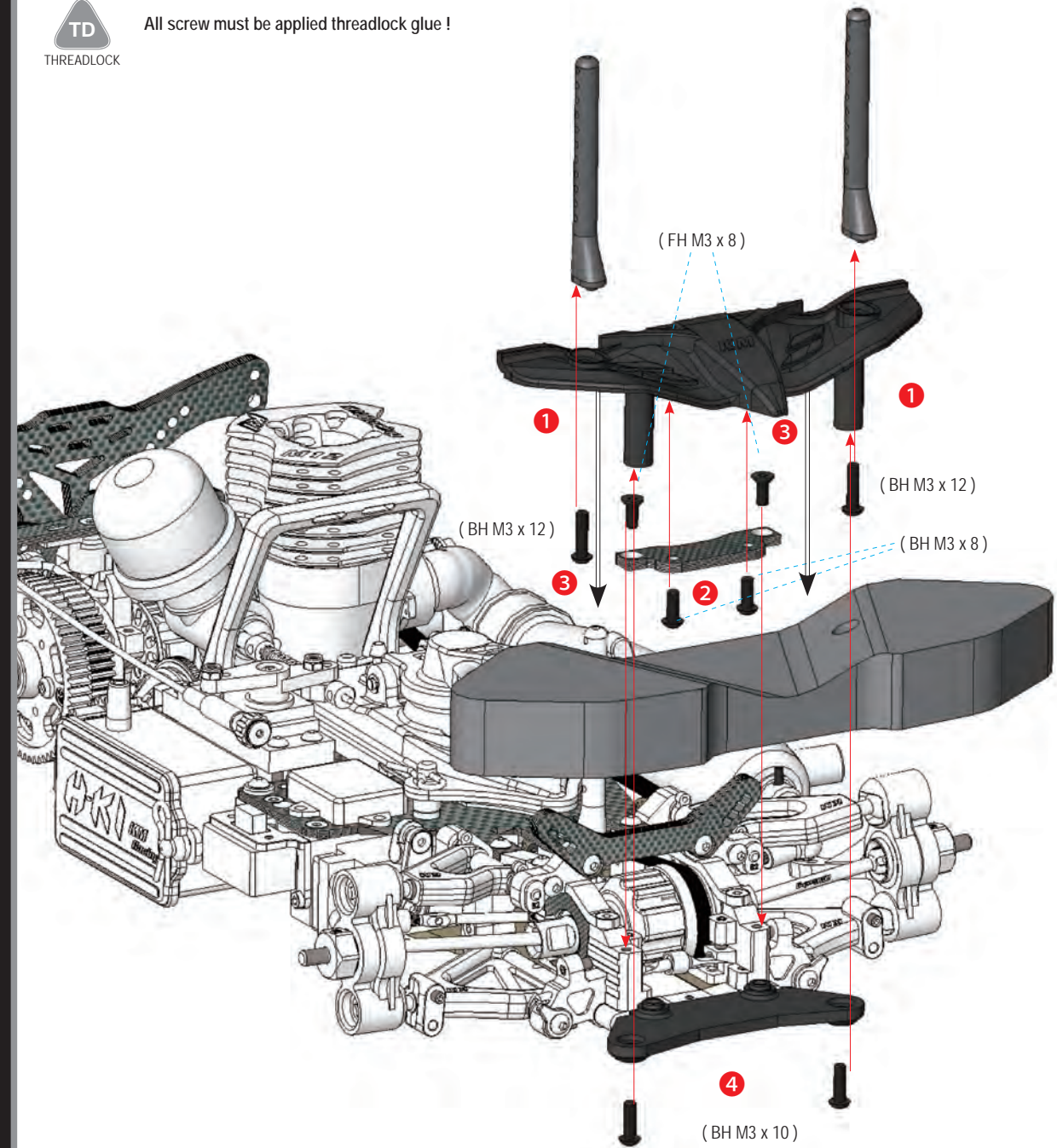
! You can attach the shocks before put on the foam bumper

▶ Item No.	▶ Description	▶ Quantity	▶ Item No.	▶ Description	▶ Quantity
HK003B	Bat Head Foam Bumper	x 1	HK905	BH M3 x 12	x 2
HK104	2mm Carbon Battery Plate	x 1	HK907	BH M3 x 16	x 1
HK105	5mm Carbon Rear Stiffener	x 1	HK935	FH M3 x 6	x 2
HK115	Carbon Bat Head Adapter	x 1	HK936	FH M3 x 8	x 4
HK530	Bat Head Bumper	x 1	HK952	M3 Nut	x 2
HK531	Lower Bumper	x 1	HK966	Body Clip (Large)	x 10
HK532	Front Body Post	x 2	HK975	Collar 3 x 6 x 3.5	x 1
HK903	BH M3 x 8	x 2	HK979	Fuel Tube	x 1
HK904	BH M3 x 10	x 3			



TD
THREADLOCK
All screw must be applied threadlock glue !

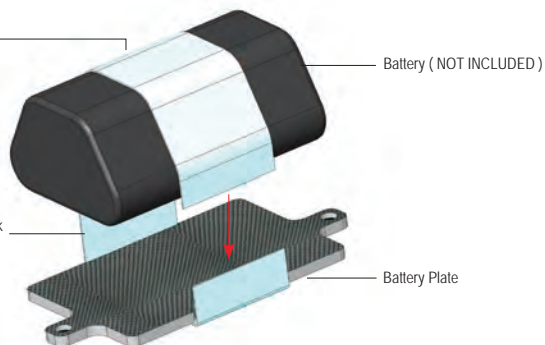
TD
THREADLOCK
All screw must be applied threadlock glue !



HK966 - Body Clip (Large)

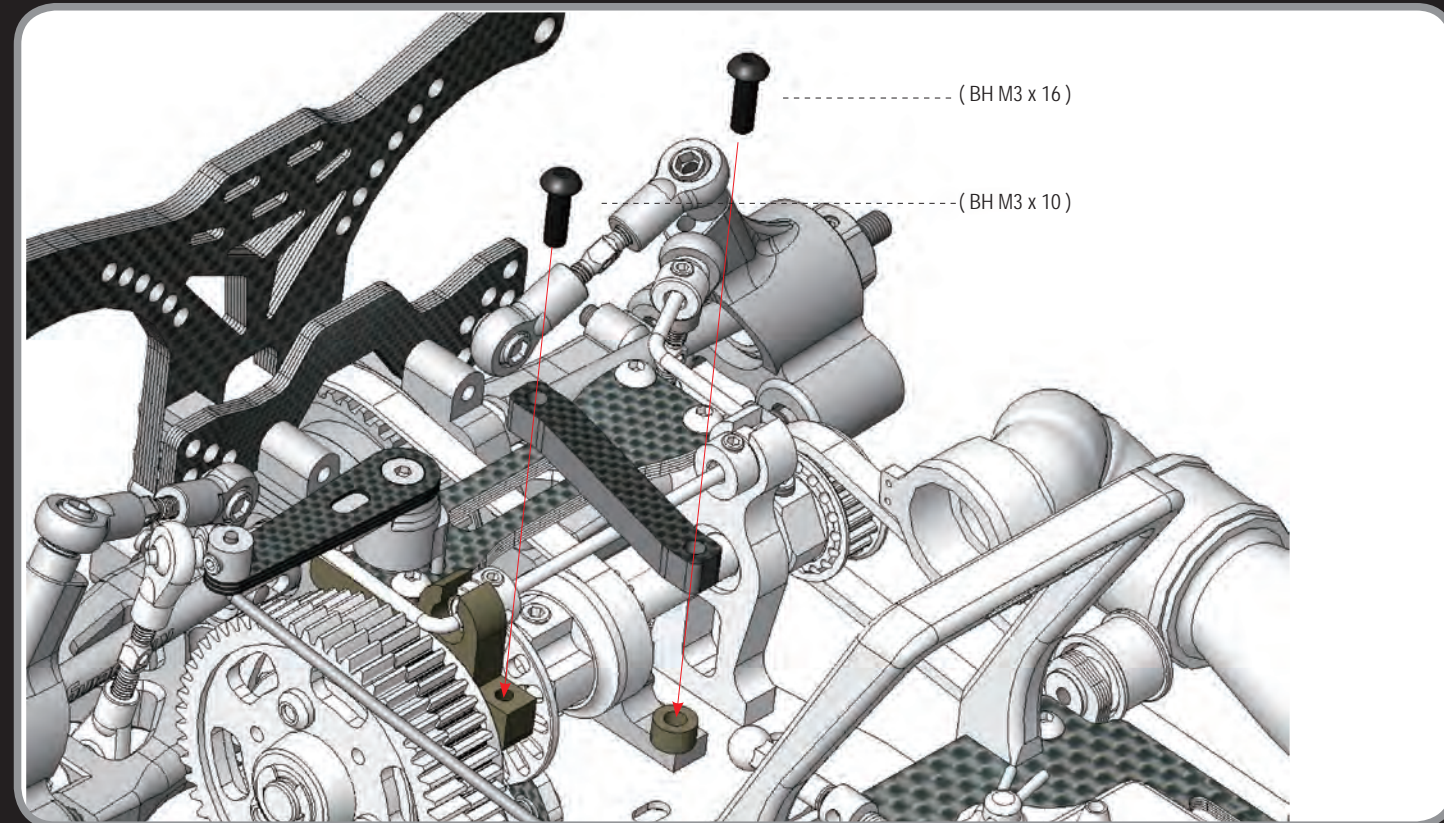
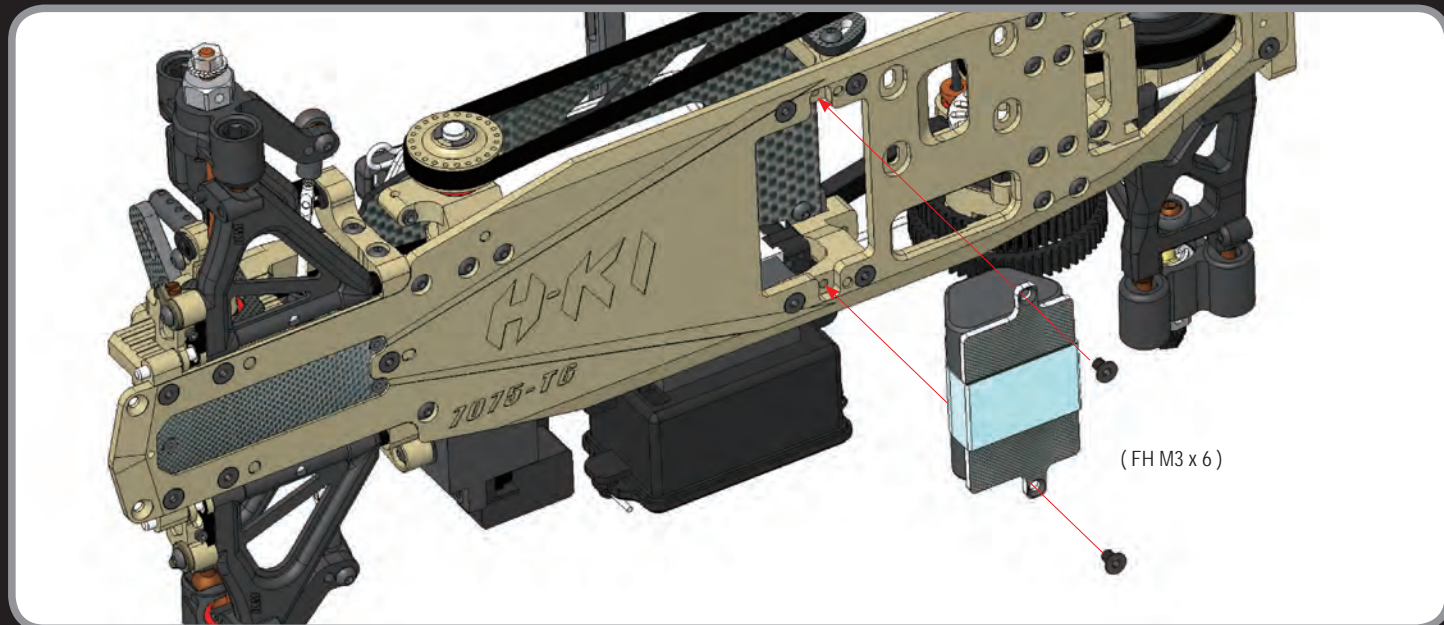
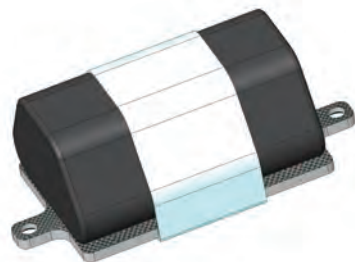
13. FRONT BUMPER & BATTERY PLATE & REAR STIFFENER

Use on appropriate receiver battery pack.
5 cells AAA (3+2) can be used.



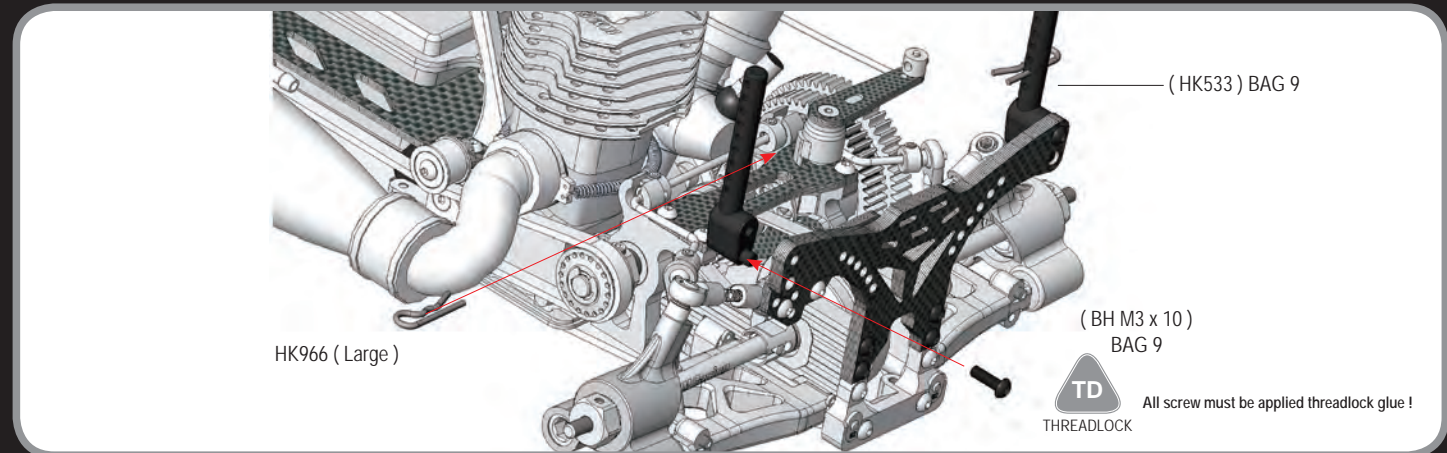
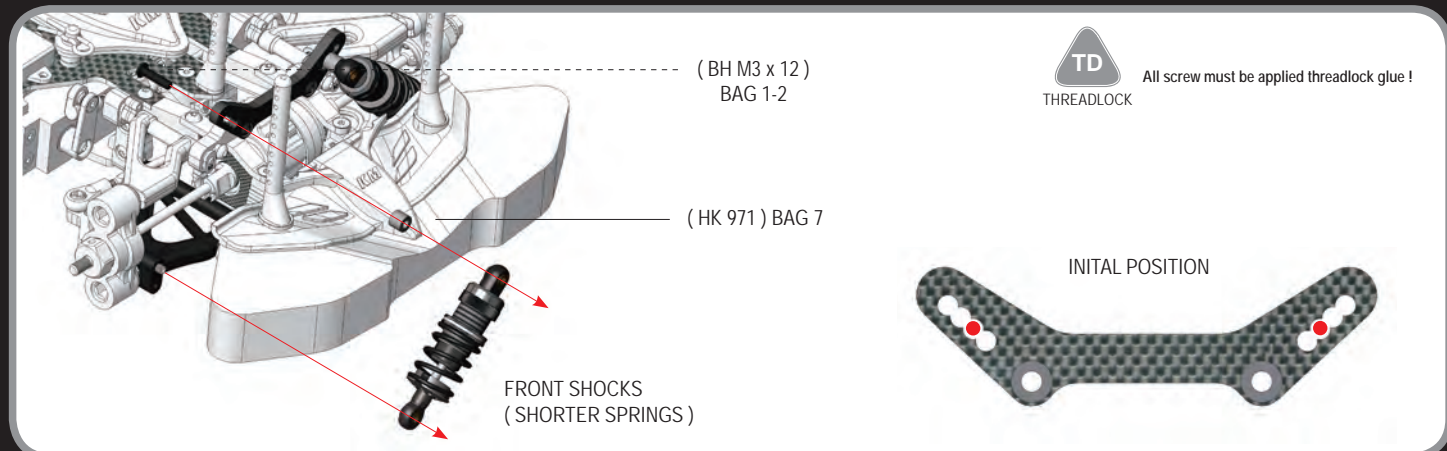
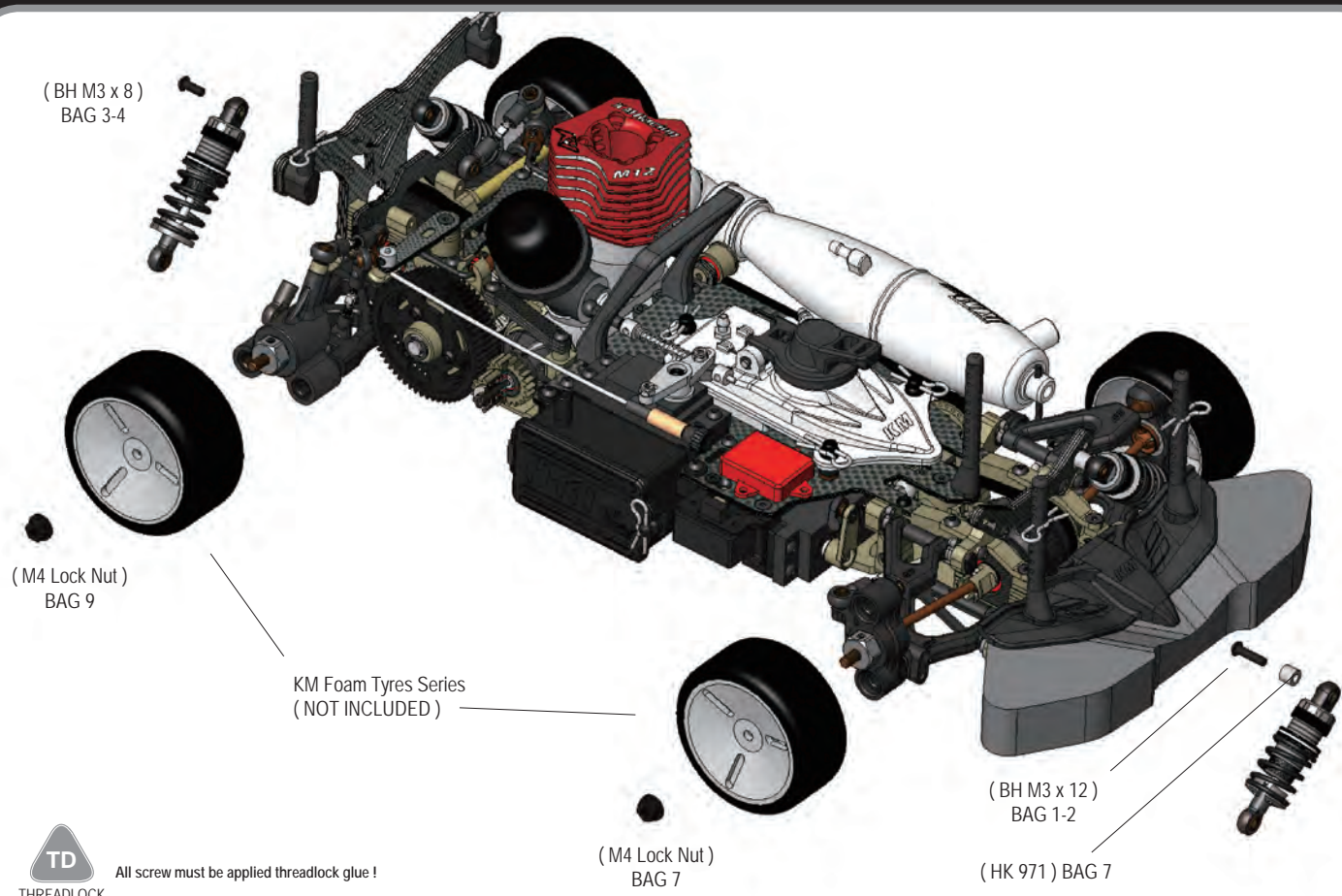
Use tape to mount the receiver battery pack to the lower holder.

ASSEMBLED VIEW

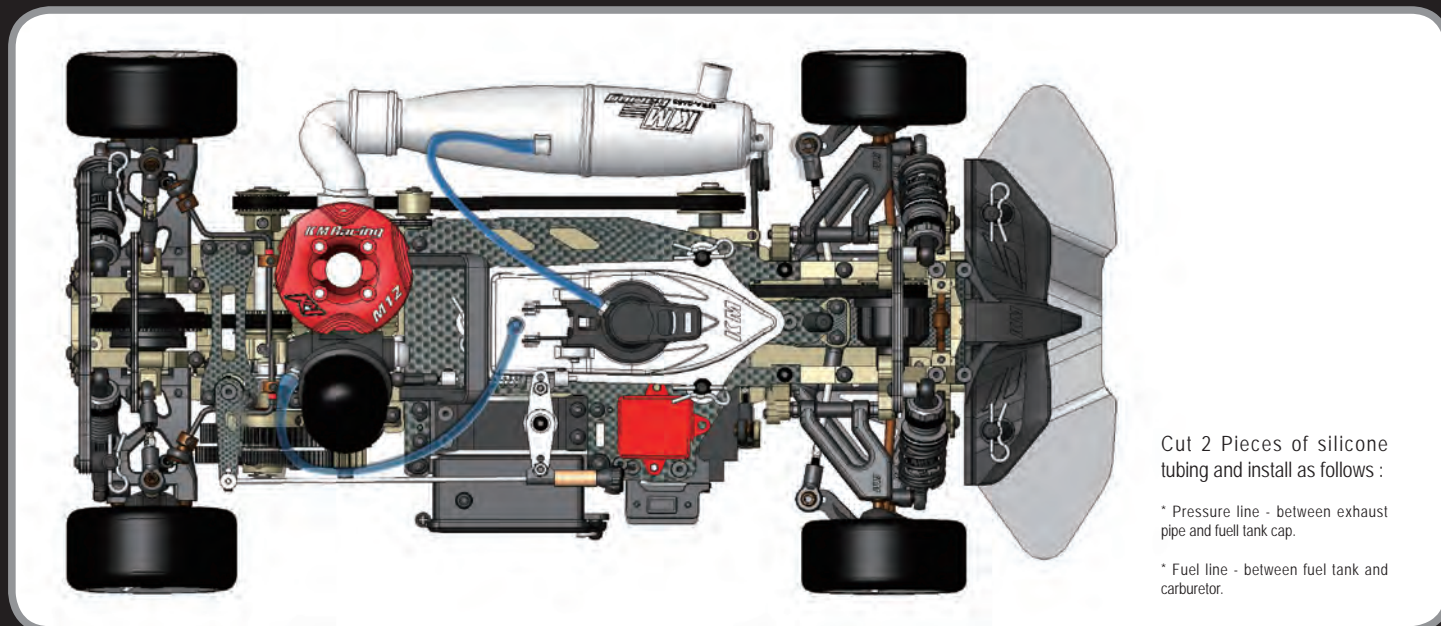
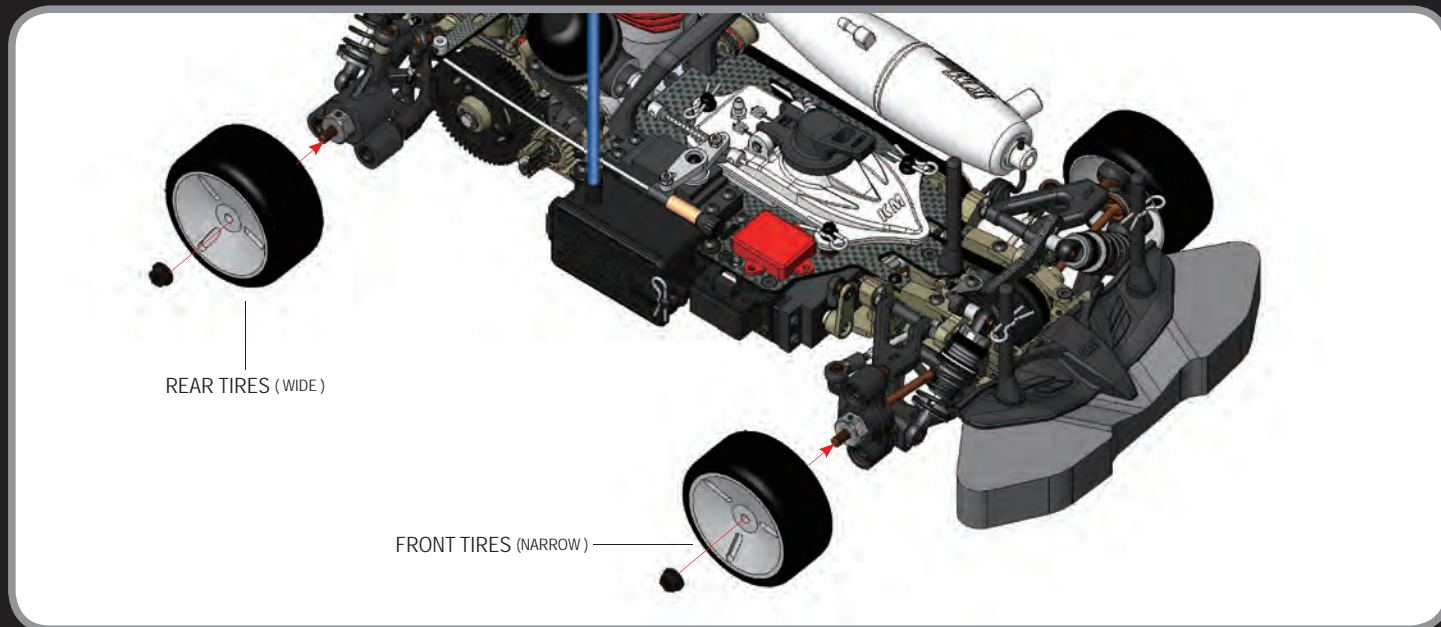
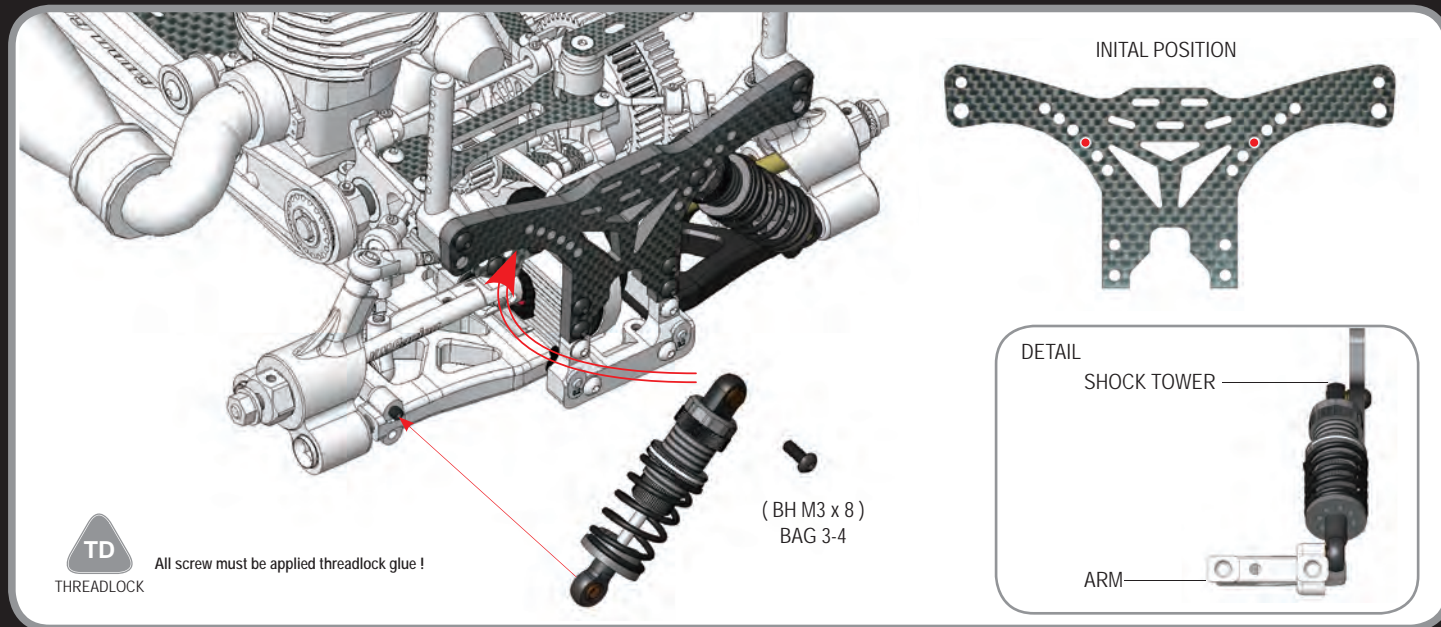


FINAL ASSEMBLY

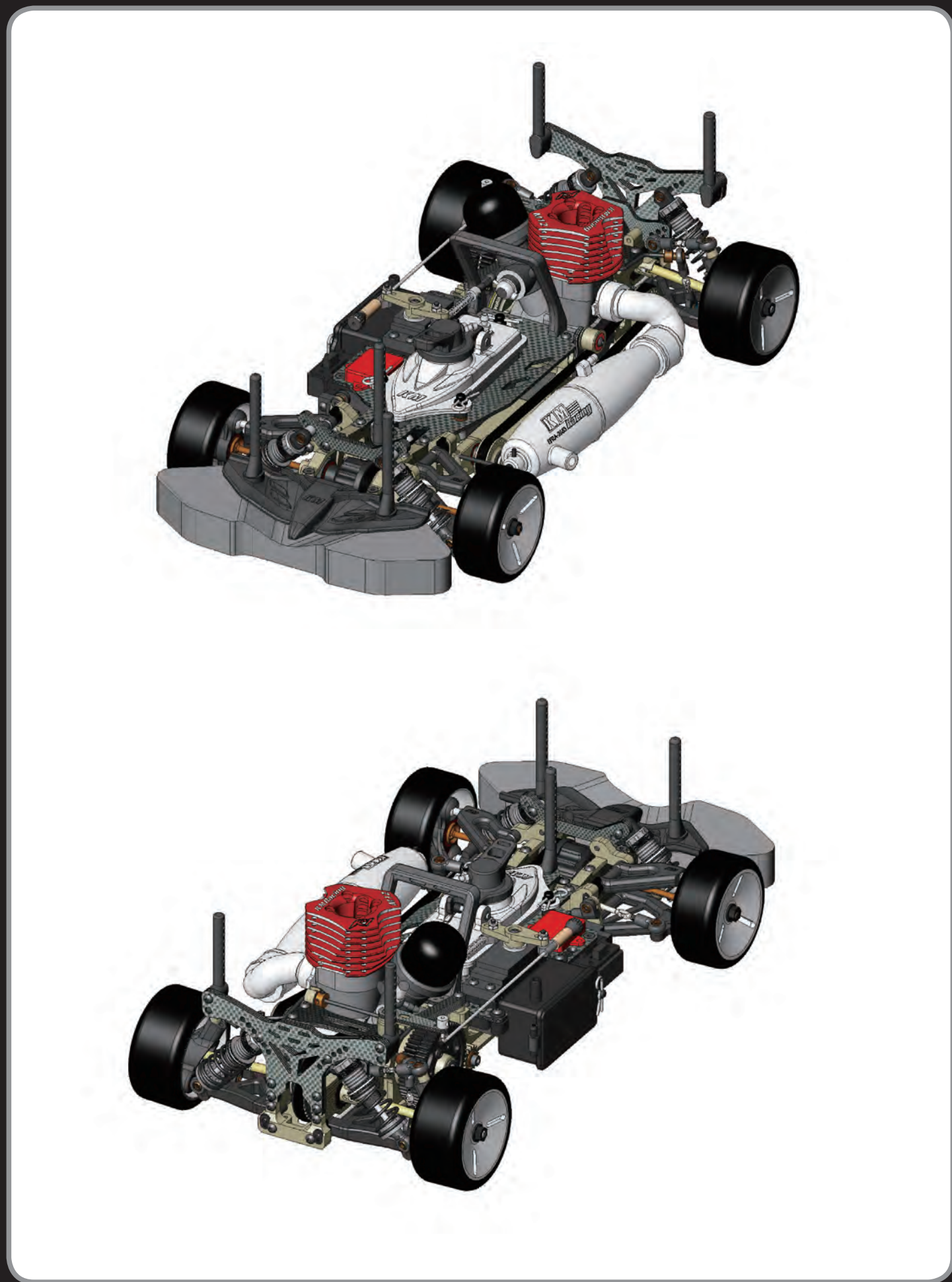
(BH M3 x 8)
BAG 3-4



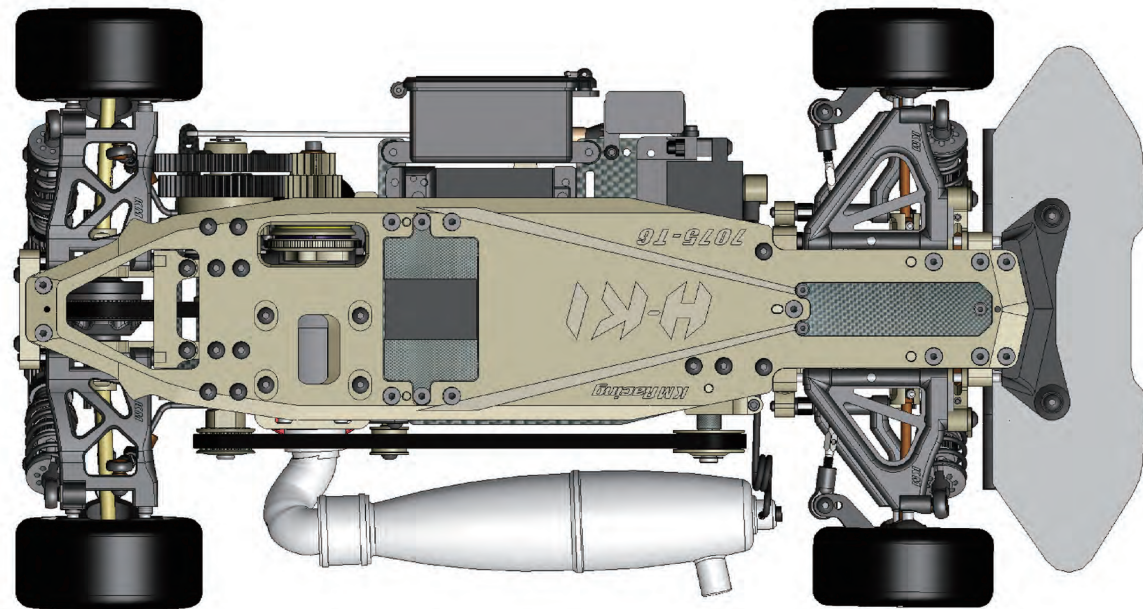
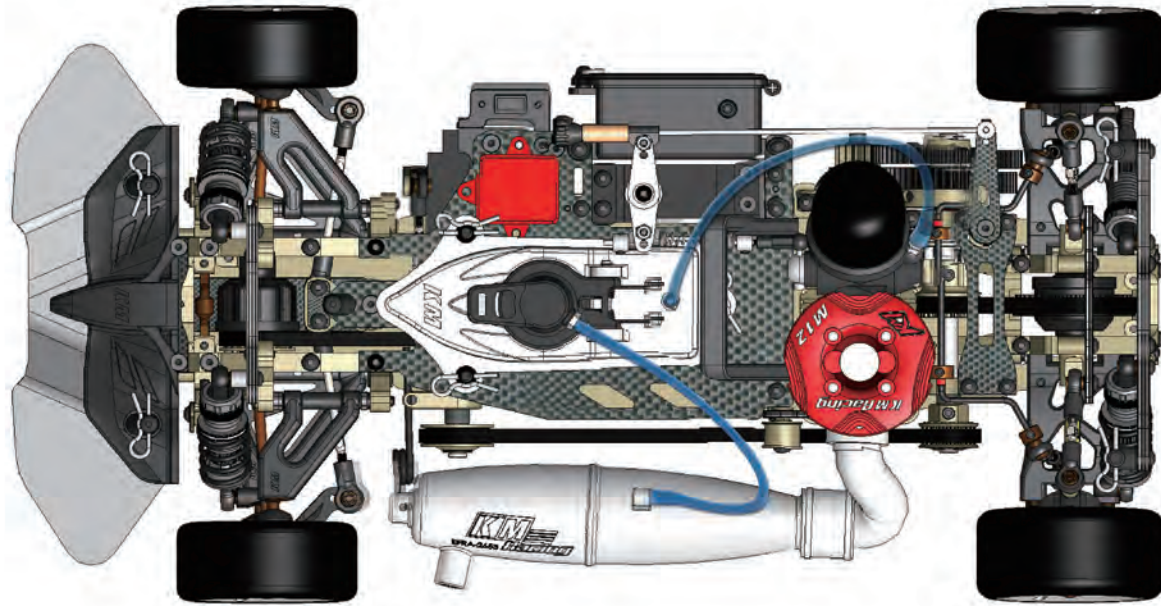
FINAL ASSEMBLY



FINAL COMPLETE VIEWS



FINAL COMPLETE VIEWS



H-K1 Parts List

Pic.	Item No	Description	QTY	Pic.	Item No	Description	QTY
	HK001	3mm Main Chassis	1		HK192	Front Belt	1
	HK002	Fuel Tank	1		HK200	Front Diff. Case	1
	HK003B	Bat-Head Foam Bumper	1		HK201	Front Diff. Cover	1
	HK100	2mm Carbon Upper Deck	1		HK202F	Front Diff. Joint	2
	HK101L	4mm Front Carbon Belt Adj. Bearing Hub Holder Left	1		HK202R	Rear Diff. Joint	2
	HK101R	4mm Front Carbon Belt Adj. Bearing Hub Holder Right	1		HK203	Big Bevel Diff. Gear	4
	HK102	3mm Front Carbon Shock Tower	1		HK204	Small Bevel Diff. Gear	8
	HK103	2.5mm Front Carbon Chassis Plate	1		HK205	Diff. Shaft	4
	HK104	2mm Carbon Battery Plate	1		HK207	F&R Big Bevel Diff. Gear Shims	4
	HK105	5mm Carbon Rear Stiffener	1		HK208	Small Bevel Diff. Gear Shims	8
	HK106	2.5mm Rear Carbon Gear Box Upper Plate	1		HK209	Outside Diff. Joint Shims	4
	HK107	2mm Carbon Brake Arm	1		HK210	Diff. Gear O-Ring	4
	HK108	2.5mm Carbon Camber Plate	1		HK211	Diff. Case O-Ring	2
	HK109	4mm Rear Carbon Shock Tower	1		HK217	Alum. Front Solid Axle	1
	HK110L	4mm Rear Carbon Belt Adj. Bearing Hub Holder Left	1		HK220	Rear Diff. Case	1
	HK110R	4mm Rear Carbon Belt Adj. Bearing Hub Holder Right	1		HK221	Rear Diff. Cover	1
	HK111L	2.5mm Carbon Brake Plate With Pad Left	1		HK301	Shock Shock Absorber	4
	HK111R	2.5mm Carbon Brake Plate With Pad Right	1		HK302	Alum. Upper Shock Cap	4
	HK112A	2mm Carbon Servo Saver Plate A	1		HK303	Shock Head Ball End	4
	HK112B	2mm Carbon Servo Saver Plate B	1		HK304F	Front Shock Piston	2
	HK113	Carbon Middle Shaft Collar	1		HK304R	Rear Shock Piston	2
	HK114	Carbon Belt Tension Stand	1		HK305F	Front Shock Shaft	2
	HK115	Carbon Bat Head Adapotor	1		HK305R	Rear Shock Shaft	2
	HK116	Carbon Main Shaft Collar 6x8x2.7	1		HK306	Alum. Shock Body	4
	HK177	Rear Belt	1		HK307	O-Ring Slims	8

H-K1 Parts List

Pic.	Item No	Description	QTY	Pic.	Item No	Description	QTY
	HK308	Alum. Spring Adj. Nut	4		HK412L	Alum. Rear Bottom Bulkhead Left	1
	HK309	Alum. Lower Shock Cap	4		HK412R	Alum. Rear Bottom Bulkhead Right	1
	HK310F	Front Lower Spring Cap	2		HK413	Alum. Rear Arm Holder	1
	HK310R	Rear Lower Spring Cap	2		HK414	Alum. Rear Back Cover	1
	HK311	Shock O-Ring	8		HK415	Alum. Brake Arm Holder	1
	HK312	Shock Piston Shims	4		HK430	Alum. Upper Servo Saver	1
	HK313	Adj. Nut O-ring	4		HK431	Alum. Bottom Servo Saver	1
	HK321	Front Shock Spring	2		HK432	Alum. Servo Saver Bearing Holder	1
	HK331	Rear Shock Spring	2		HK433	Alum. Servo Saver Shaft	1
	HK387	Middle Belt	1		HK434	Alum. Servo Saver Spring Nut	1
	HK400L	Alum. Front Upper Bulkhead Left	1		HK435	Servo Saver Spring	1
	HK400R	Alum. Front Upper Bulkhead Right	1		HK436A	Steering Servo Horn for KO, JR, SANWA	1
	HK401L	Alum. Front Bottom Bulkhead Left	1		HK436B	Steering Servo Horn for FUTABA, SAVOX	1
	HK401R	Alum. Front Bottom Bulkhead Right	1		HK436C	Steering Servo Horn for HITEC	1
	HK402L	Front Suspension Arm Holder Left	1		HK440	Alum. Centre Mount	1
	HK402R	Front Suspension Arm Holder Right	1		HK441	Engine Mount	1
	HK403	Alum. Front Lower Suspension Arm Mount	1		HK450L	Alum. Radio Plate Mount Left	1
	HK404-1	Alum. Front Anti-Roll Bar Mount	2		HK450R	Alum. Radio Plate Mount Right	1
	HK404L	Alum. Front Anti-Roll Bar Mount	1		HK452	Belt Tension Shaft	1
	HK404R	Alum. Front Anti-Roll Bar Mount	1		HK453	Belt Bearing Housing	1
	HK408	Alum. Hex Hub Adaptor	4		HK460-16T	Alum. Pulley 16T	1
	HK410L	Alum. 2 Speed Shaft Stand Left	1		HK460-19T	Alum. Pulley 19T	1
	HK410R	Alum. 2 Speed Shaft Stand Right	1		HK460-20T	Alum. Brake Pulley 20T	1
	HK411L	Alum. Rear Upper Bulkhead Left	1		HK460-23T	Alum. Pulley 23T	1
	HK411R	Alum. Rear Upper Bulkhead Right	1		HK460-24T	Front Diff. Pulley-24T	1

H-K1 Parts List

Pic.	Item No	Description	QTY	Pic.	Item No	Description	QTY
	HK470	Alum. 2 Speed Gear Housing	1		HK504	Rear Lower Arm	2
	HK471	Alum. 1st Gear Housing	1		HK505A	Front Lower Arm Spacer 2mm	2
	HK472	Steel 2 Speed Adapter	1		HK505B	Front Lower Arm Collar 2mm	2
	HK473	Roller Pin For 2 Speed Shoes	2		HK506A	1mm Caster Clips	6
	HK478	Spring For 2 Sped Shoes	2		HK506B	2mm Caster Clips	4
	HK480	Front Upper Arm Pin	2		HK507A1	Roll Centre Collar A1	4
	HK481	Front Lower Arm Pin	2		HK507A2	Roll Centre Collar A2	4
	HK482	Rear Lower Arm Pin	2		HK508B1	Roll Centre Collar B1	4
	HK483	Front Universal Shaft	2		HK508B2	Roll Centre Collar B2	4
	HK484	Rear Dog Bone	2		HK510	Handle	1
	HK484A	Rear Wheel Hub	2		HK520S	Receiver Box	1
	HK485	Titanium Middle Shaft	1		HK522	Steering Servo Mount	1
	HK486	2 Speed Shaft	1		HK523	Steering Servo Holder	2
	HK487	D2 x 9.7 Pin	11		HK524A	Throttle Servo Holder A	1
	HK488	D2 x 12 Pin	1		HK525B1	Throttle Servo Holder B1 HITEC, SAVOX	1
	HK489	1.5mm Brake Disc	1		HK525B2	Throttle Servo Holder B2 KO, FUTABA	1
	HK490	Alum. Brake Post	1		HK525B3	Throttle Servo Holder B3 SANWA, JR	1
	HK491	Fuel Tank Support Shaft	3		HK526A	Servo Shims 7.5mm	2
	HK492-1	Front Anti-Roll Bar Shaft	1		HK526B	Servo Shims 8.5mm	2
	HK492-2	Front Anti-Roll Bar Shaft	1		HK526C	Servo Shims 9.5mm	2
	HK500	Front Upper Arm	2		HK526D	Servo Shims 10.5mm	2
	HK501	Front Lower Arm	2		HK527	Switch Plate	1
	HK502L	Front Knuckle Arm Left	1		HK527A	Servo Shims 1.0mm	2
	HK502R	Front Knuckle Arm Right	1		HK527B	Servo Shims 2.0mm	2
	HK503	Rear Hub	2		HK527C	Servo Shims 3.0mm	2

H-K1 Parts List

Pic.	Item No	Description	QTY	Pic.	Item No	Description	QTY
	HK528-1	Brake Adj. Nut	1		HK604	Flywheel	1
	HK528-2	Linkage Pivot	2		HK605-6	Tapered Collar 6mm	1
	HK528-3	Throttle Servo Link Cap	1		HK605-7	Tapered Collar 7mm	1
	HK528-4	Linkage Stopper	4		HK606	Flywheel Nut	1
	HK528-5	Throttle Link	1		HK607	Clutch Bell Bushing	1
	HK528-6	Brake Post Link	1		HK608	Clutch Flyweight	3
	HK529	Reciver Tray	1		HK609	Clutch Disc	1
	HK530	Bat Head Bumper	1		HK610	Clutch Shoe(yellow)	1
	HK531	Lower Bumper	1		HK611	Clutch Spring	1
	HK532	Front Body Post	3		HK612	Spring Catch	1
	HK533	Rear Body Post	2		HK613	Spring Nut	1
	HK534	4.8mm Ball End	1		HK614	Trust Bearing	1
	HK535	5.8 L Type Ball End	1		HK801Ti-23	Titanium Turnbuckle 23mm	5
	HK536A	Link Plastic 16mm	4		HK801Ti-48	Titanium Steering Turnbuckles 48mm	2
	HK536B	Link Plastic 17.5mm	12		HK850L	Ball Universal 5.8mm Hex (Long)	13
	HK536B	Link Plastic 21mm	4		HK850S	Ball Universal 5.8mm Hex (Short)	6
	HK537	5.8mm Small Ball End For Anti Roll Bar	4		HK851	Ball Stud 4.8mm	1
	HK550	2 Speed Shoe	2		HK852	8.5mm Ball Screw	8
	HK551-59T	Spur Gear 59T (1st)	1		HK853	Rear Roll Bar Ball	2
	HK552-54T	Spur Gear 54T (2nd)	1		HK901	BH M3 x 5	8
	HK563	Front & Rear Bearing Bushing	4		HK902	BH M3 x 6	6
	HK564	Ball Cup Screw	8		HK903	BH M3 x 8	44
	HK601	Steel Clutch Bell	1		HK904	BH M3 x 10	13
	HK602-16T	Pinion Gear 16T	1		HK905	BH M3 x 12	7
	HK603-21T	Pinion Gear 21T	1		HK906	BH M3 x 14	6

H-K1 Parts List

Pic.	Item No	Description	QTY	Pic.	Item No	Description	QTY
	HK907	BH M3 x 16	9		HK966	Body Clip (Large)	10
	HK908	BH M3 x 18	4		HK971	Collar 3x6x5	2
	HK909	BH M3 x 20	4		HK972A	S 5x7x0.1 shims	2
	HK911	SS M3 x 3	13		HK972B	S 5x7x0.2 shims	2
	HK912	SS M3 x 5	4		HK972C	S 5x7x0.3 Shims	2
	HK913	SS M3 x 8	8		HK972D	S 5x7x0.4 shims	2
	HK914	SS M3 x 16	2		HK972E	S 5x7x0.5 Shims	2
	HK915	SS M4 x 4	3		HK975	Collar 3x6x3.5	5
	HK921	SH M2.5 x 8	1		HK976	Rear Anti Roll Bar Stopper	2
	HK922	SH M2.5 x 12	2		HK977	Fuel Tank Shaft Rubber (bottom)	3
	HK923	SH M3 x 10	4		HK978	Fuel Tank Shaft Rubber (top)	3
	HK924	SH M2.5 x 10	2		HK979	Fuel Tube	1
	HK925	SH M3 x 15	1		HK981	Spring For Carbon Brake	2
	HK931	FH M2.0 x 5	7		HK982	Throttle Spring	2
	HK932	FH M2.5 x 6	1		HK983	Rear Anti Roll Bar 2.0	1
	HK933	FH M2.5 x 8	8		HK995	Muffler Stay Spring Link	1
	HK935	FH M3 x 6	19		HK1003	Upper Deck O-Ring	2
	HK936	FH M3 x 8	10		HK-B10154	Steel Bearing 10x15x4	8
	HK937	FH M3 x 10	4		HK-B5104	Steel Bearing 5x10x4	1
	HK938	FH M3 x 12	1		HK-B5825	Steel Bearing 5x8x2.5	8
	HK951	M2.5 Nut	6		HK-B6124	Steel Bearing 6x12x4	6
	HK952	M3 Nut	2		HK-B6124C	Ceramic Bearing 6x12x4	2
	HK953	M4 Lock Nut	4		HK1100	20ml 500 Silicone Oil	1
	HK954	Side Belt Bearing Nut	1		HK1200	20ml 60000 Silicone Oil	1
	HK962	E-Clip For 6.0 Shaft	3		HK1300	20ml 300000 Silicone Oil	1
	HK965	Body Clip (Small)	4		HK2000	H-K1 Decal	1