
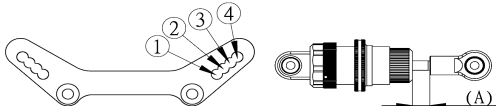


NAME	HUNG CHEUNG HANG	TEMP	33 °C	SET-UP SHEET VERSION 1.2	
DATE	19/9/2010	HUMIDITY			
TRACK	ACO	TRACTION			

QUALIFYING POSITION	1	BEST LAP TIME / SEC	23.275	FINAL POSITION	1	LAPS	73	RACE LENGTH / MIN.	30
---------------------	----------	---------------------	---------------	----------------	----------	------	-----------	--------------------	-----------

ANTI-ROLL BAR

0° 30° 45° 60° 90°



Caster

(Short Setting) Add 2mm Spacer

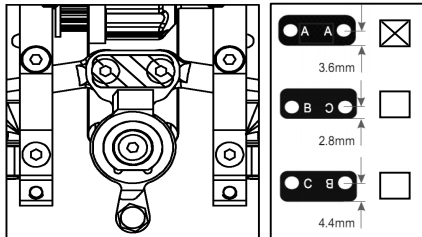
No Spacer is Long Setting

FRONT RIDE HEIGHT

FRONT KNUCKLE ARM SETTING

ACKERMANN SETTINGS

CASTER	LONG SETTING	SHORT SETTING
0 mm	5.5°	2°
1 mm	7.6°	3.8°
2 mm	9.5°	5.5°
3 mm	11.5°	7.5°
4 mm	13.5°	9.5°
5 mm	15.5°	11.5°



A A
3.6mm
 B B
2.8mm
 C B
4.4mm

SHOCK SPRING	STD
SHOCK OIL / cSt	# 500 STD
SHOCK PISTON	Ø 1.3 - 1 HOLE
SHOCK LENGTH (A) / mm	8
SPRING POSITION	1 2 (3) 4
ROLL CENTER	-1.5 -0.5 (+0.5) +1.5
LONG SETTING (CASTER ANGLE) / mm	<input type="checkbox"/> 0 1 2 3 4 5
SHORT SETTING (CASTER ANGLE) / mm	<input checked="" type="checkbox"/> 0 1 2 (3) 4 5
FRONT KNUCKLE ARM	1 (2)
CAMBER ANGLE / deg°	L + - 3 R + - 2.5
TOE ANGLE / deg°	IN OUT 0.5
DIVE / ONE WAY / AXLE	
FRONT TRACK WIDTH / mm	199.5
DOWN STOP / mm	1
TIRE HARDNESS / deg°	KM VELOCITY 35
TIRE DIAMETER / mm	60.5
FRONT RIDE HEIGHT / mm	6

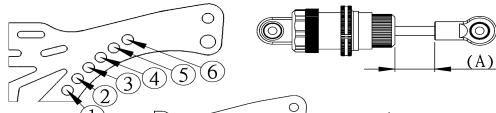
ANTI-ROLL BAR

/mm **0.5**

WIRE /mm **2**

ANTI-ROLL BAR OPTION

0° 30° 45° 60° 90°



REAR RIDE HEIGHT

REAR UPRIGHT COLLAR

WHEEL BASE

SIDE BELT SETTING

25 **19**

CAMBER LINK SETTING

4 5 6
1 2 3

CLUTCH FLYWEIGHT SETTING

RIGHT SIDE LEFT SIDE

WITH FRONT CARBON CHASSIS PLATE WITHOUT FRONT CARBON CHASSIS PLATE

SHOCK SPRING	STD
SHOCK OIL / cSt	# 500 STD
SHOCK PISTON	Ø 1.0 - 2 HOLE
SHOCK LENGTH (A) / mm	12.5
SPRING POSITION	1 (2) 3 4 5 6
ROLL CENTER	-1.5 -0.5 (+0.5) +1.5
CAMBER ANGLE / deg°	L + - 3.5 R + - 3
TOE ANGLE / deg°	IN 3
REAR UPRIGHT COLLAR /mm	3.5
CAMBER LINK SETTING	(1) 2 3 4 5 6 (1) (2)
DIFFERENTIAL	# 60,000
REAR TRACK WIDTH / mm	200
DOWN STOP / mm	5
TIRE HARDNESS / deg°	KM VELOCITY 35
TIRE DIAMETER / mm	63
REAR RIDE HEIGHT / mm	8

ENGINE	
ENGINE	O.S.
HEAD SHIM /mm	0.4mm
MUFFLER	KM 2653
PLUG	RP6
FUEL	Rapicon 25°

CLUTCH / BRAKE		
FLYWHEEL	<input checked="" type="checkbox"/> STANDARD	OTHER
CLUTCH FLYWEIGHT	<input checked="" type="checkbox"/> STANDARD	OTHER
CLUTCH SPRING	<input checked="" type="checkbox"/> STANDARD	OTHER
CLUTCH SHOE	YELLOW STD	
CLEARANCE /mm	0.65	
SPRING ADJ. NUT /mm	1.5	
BRAKE PAD	<input checked="" type="checkbox"/> STANDARD	OTHER
BRAKE SETTING %	50%	

GEAR			
PINION GEAR	1st	17	2nd 23
SPUR GEAR	1st	60	2nd 54

BODY	KM SEDAN 3.1 (0.7)	
BODY STIFFENER	YES	(NO)