

Driver	Shasa Lackner		
Date			
Track			
Location	Basic		
Condition	Asphalt	Carpet	Other:
Size	Technical	Mixed	Fast
Traction	Low	Medium	High
Temperature	Air:	Track:	



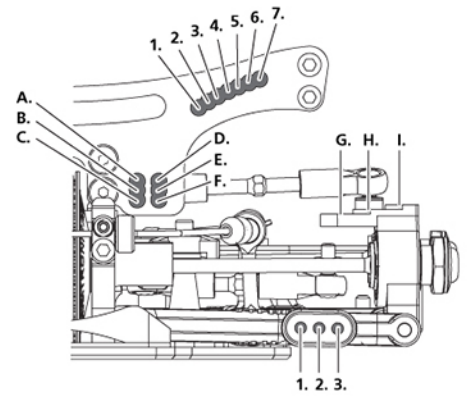
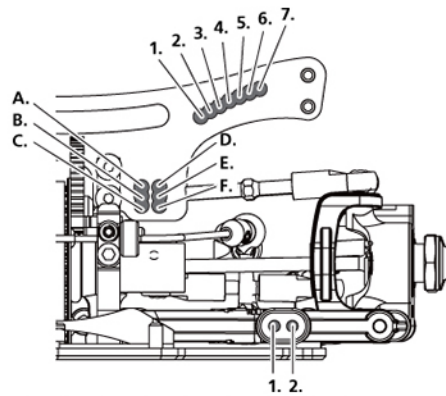
Adjustments	Front						Rear					
Camber (°)	1.8°						1.8°					
Caster (°)	2	3	<input checked="" type="checkbox"/>	5	Other:							
Toe (°)	1° open						3°					
Ride height (mm)	5.3mm						5.5mm					
Suspension mount (°)	FF: 2°			FR: 2°			RF: 0°			RR: 3°		
Rollcenter (mm) FF	0	<input checked="" type="checkbox"/>	2.5	Other:			0	<input checked="" type="checkbox"/>	2.5	Other:		
Rollcenter (mm) FR	0	<input checked="" type="checkbox"/>	2.5	Other:			0	<input checked="" type="checkbox"/>	2.5	Other:		
Wheelbase (mm)	+2	+1	0	<input checked="" type="checkbox"/>	-2	Other:	+2	+1	<input checked="" type="checkbox"/>	-1	-2	Other:
Droop (mm)	5.0mm						4.6mm					
Transmission	Oneway		Spool		Diff							
Anti-Roll Bar	None		1.4mm		Color: green		None		purplemm		Color: 1.3mm	

Shocks	Front			Rear		
Spring	HPI Pink			HPI Silver		
Preload (mm)						
Oil	35WT			35WT		
Piston	2 holes	3 holes		2 holes	3 holes	

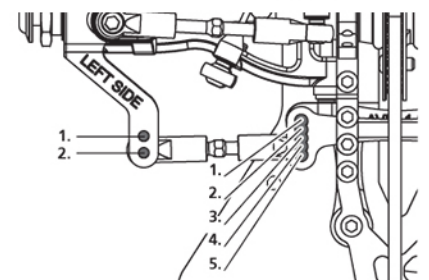
Shock Position	Front							Rear							
Arm	1	<input checked="" type="checkbox"/>						1	2	<input checked="" type="checkbox"/>					
Tower	1	2	<input checked="" type="checkbox"/>	4	5	6	7	1	2	<input checked="" type="checkbox"/>	4	5	6	7	

Upper Suspension	Front						Rear						
Washer Inboard (mm)	2mm						2mm						
Hole Suspension Plate	A	B	C	D	E	F	A	<input checked="" type="checkbox"/>	C	D	E	F	
Washer Rear Hub (mm)													
Hole Rear Hub							G	<input checked="" type="checkbox"/>	I				

Comments
Camberlink front inner position, in middle hole.



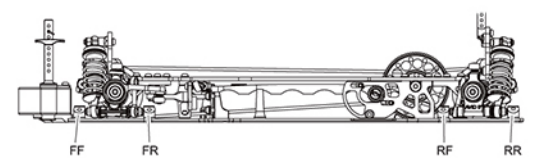
Steering	Front				
Ball End - Position Steering Plate	1	2	3	<input checked="" type="checkbox"/>	5
Position Knuckle Arms	1	<input checked="" type="checkbox"/>			
Washer under Ball End Knucke (mm)	2mm				



Tires	Front		Rear	
Tire	Sorex 36 or LRP CPX			
Insert				
Rim				
Additive	Corally TC5 or Marc Rheinard			

Chassis	Front		Rear	
Low Desk	2.5mm	3.0mm		
Top Desk	2.0mm	2.5mm	4 Screws front 2 behind layshaft 2 rear	

Motor & Battery	Transmission (IR:1.77)			
Motor	4.5T	Pinion		27
Timing	5mm	Spur		132
Brush			Ratio	
Battery	5400 mah 50C		Pitch 48DP 64DP	



Body & Wing	Front		Rear	
Body	Protoform LTC Liabtwieath			
Wing	with winglets			

Comments
Arn0 (@)PetliRC.com
additive: 40 min rear, 30 min front, 20 minutes heating with 60°.